

[54] PHOTOCONDUCTOR UNIT FOR COPYING MACHINE

[75] Inventors: Sadao Takahashi, Tokyo; Minoru Suzuki, Kanagawa, both of Japan

[73] Assignee: Ricoh Company, Ltd., Japan

[**] Term: 14 Years

[21] Appl. No.: 648,712

[22] Filed: Sep. 7, 1984

[30] Foreign Application Priority Data

Mar. 7, 1984 [JP] Japan 59-008642

[52] U.S. Cl. D16/32; D16/27

[58] Field of Search D16/27-32; 355/3 R, 3 DR, 3 DD

[56] References Cited

U.S. PATENT DOCUMENTS

- D. 164,263 8/1951 Reader D16/29
- D. 276,916 12/1984 Masaki D16/32
- 4,277,162 7/1981 Kasahara 355/3 R X

- 4,386,838 6/1983 Hirabayashi 355/3 DR
- 4,432,632 2/1984 Yokota 355/3 R X
- 4,511,237 4/1985 Kawata 355/3 R
- 4,523,834 6/1985 Pelda 355/3 DD
- 4,530,588 7/1985 Kimura 355/3 DR
- 4,540,268 9/1985 Toyono 355/3 DR X

Primary Examiner—Nelson C. Holtje
Attorney, Agent, or Firm—Guy W. Shoup

[57] CLAIM

The ornamental design for photoconductor unit for copying machine, as shown.

DESCRIPTION

FIG. 1 is a left front perspective view of a photoconductor unit for copying machine showing my new design;
 FIG. 2 is a front elevational view thereof;
 FIG. 3 is a top plan view thereof;
 FIG. 4 is a right side elevational view thereof;
 FIG. 5 is a left side elevational view thereof;
 FIG. 6 is a rear elevational view thereof; and,
 FIG. 7 is a bottom plan view thereof.

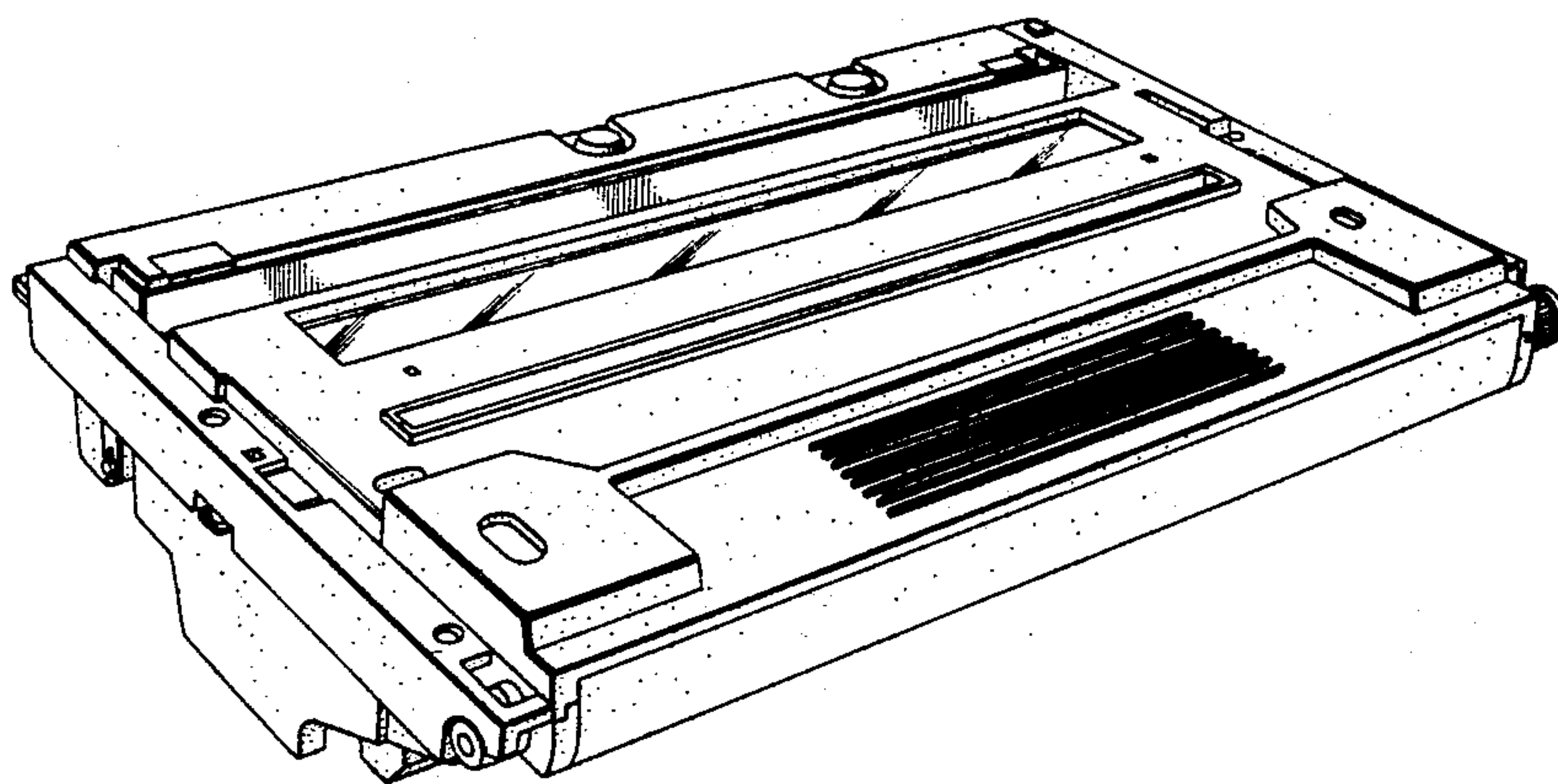


FIG. 1

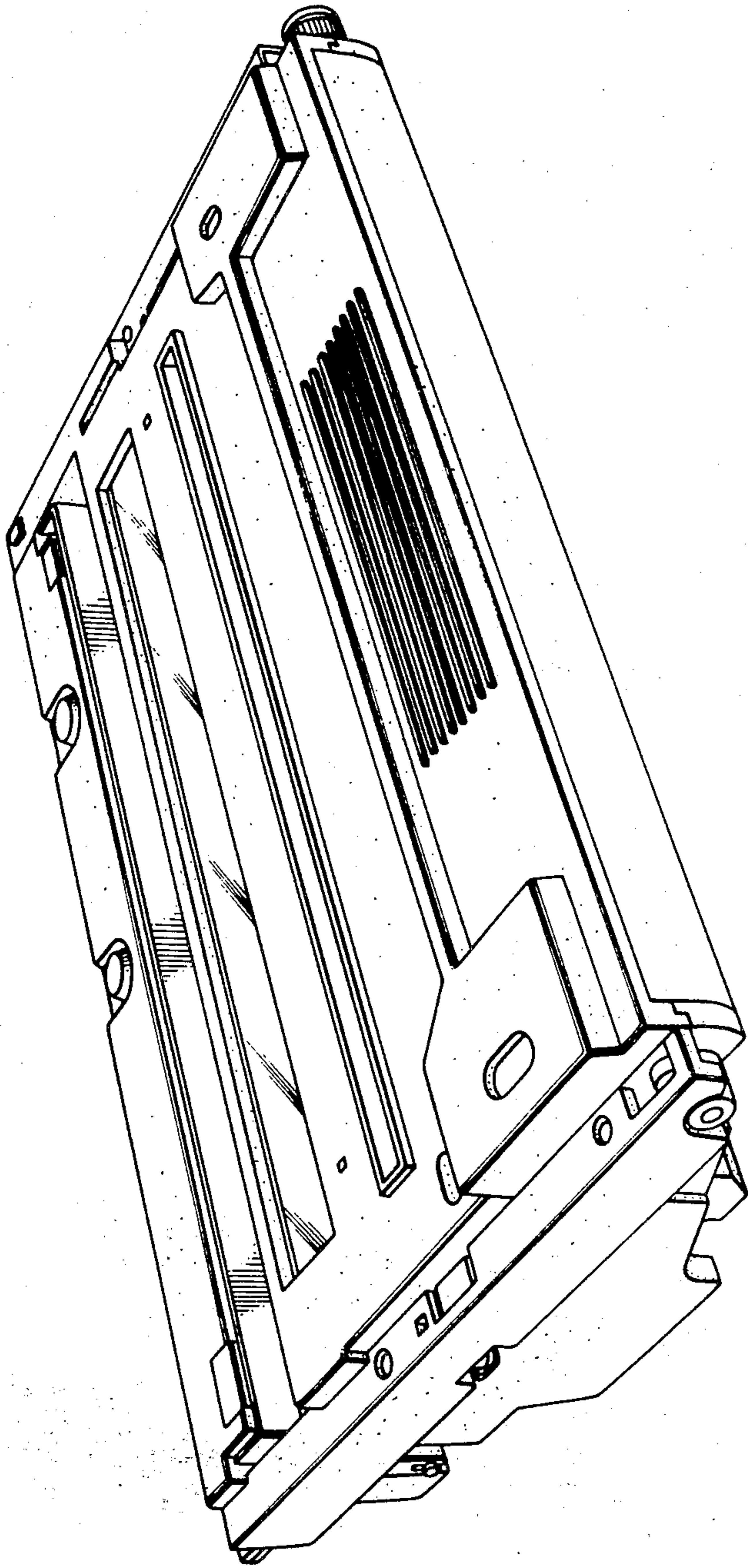


FIG. 2

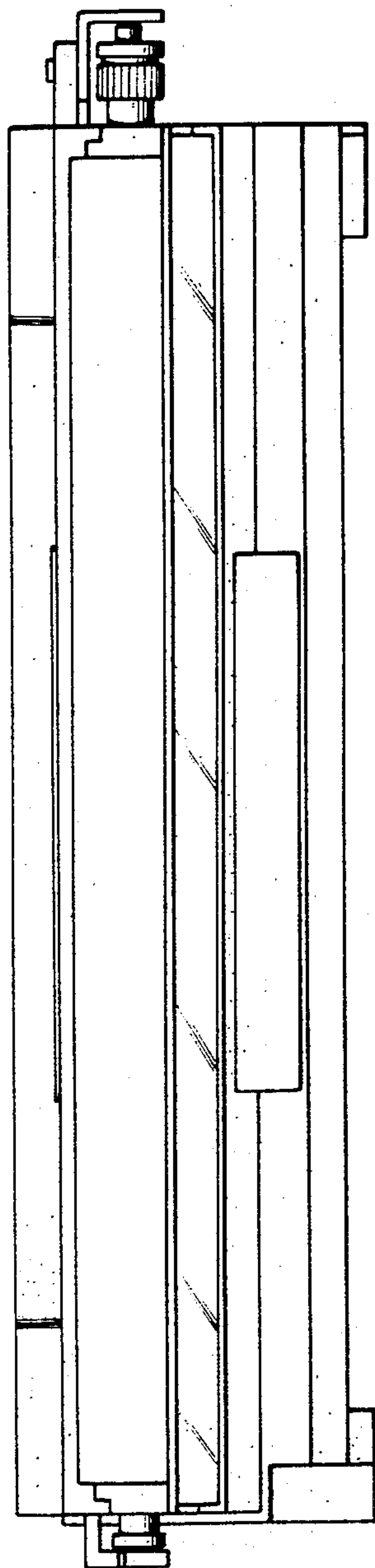


FIG. 4

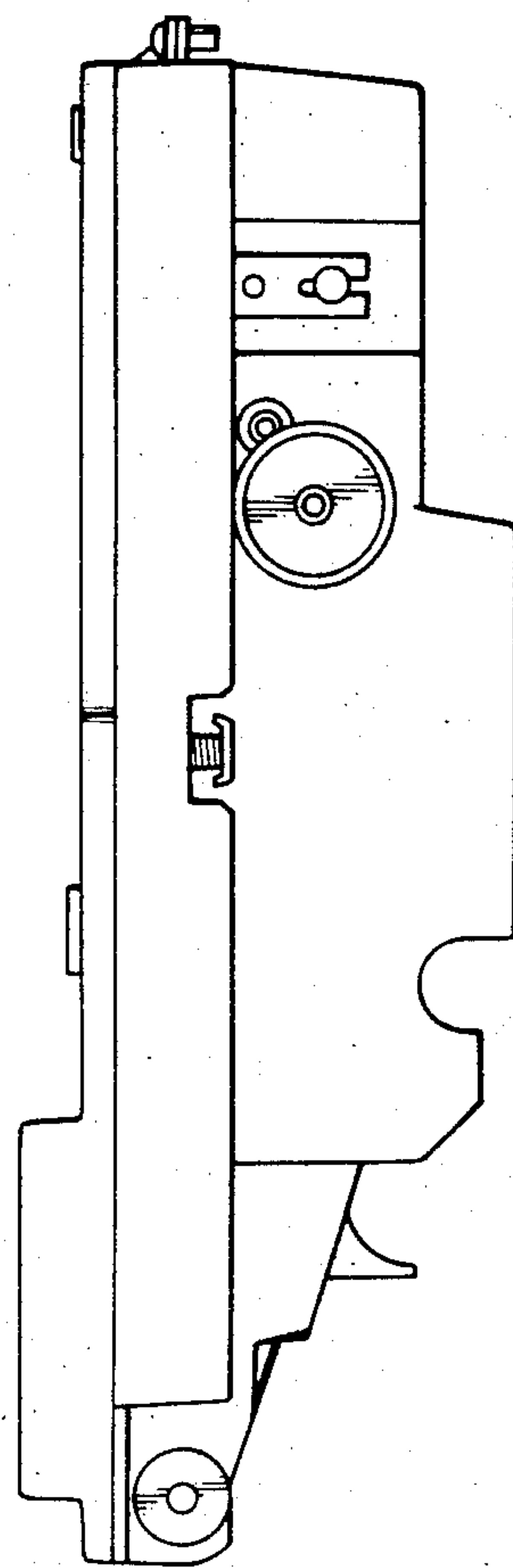


FIG. 3

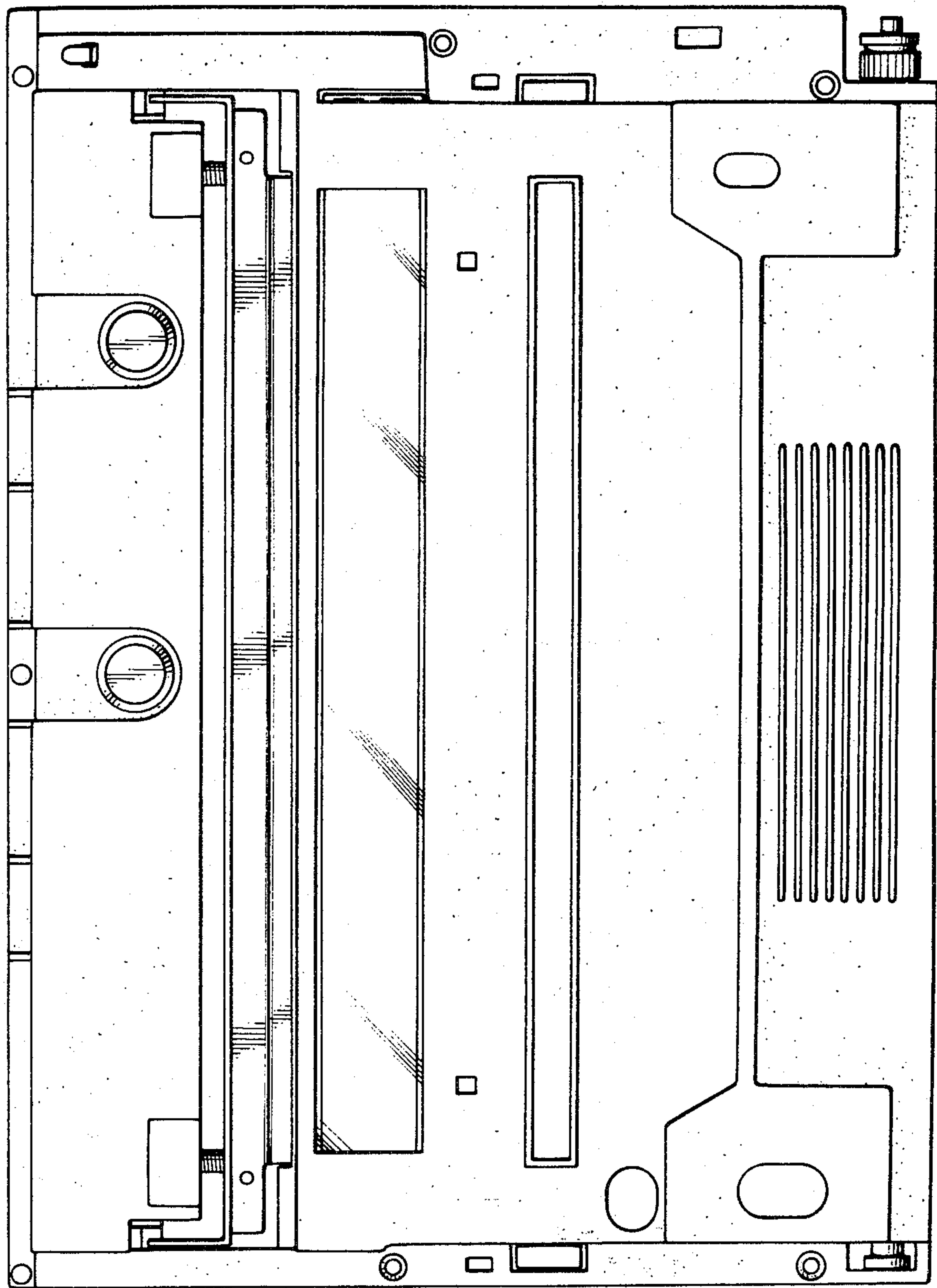


FIG. 5

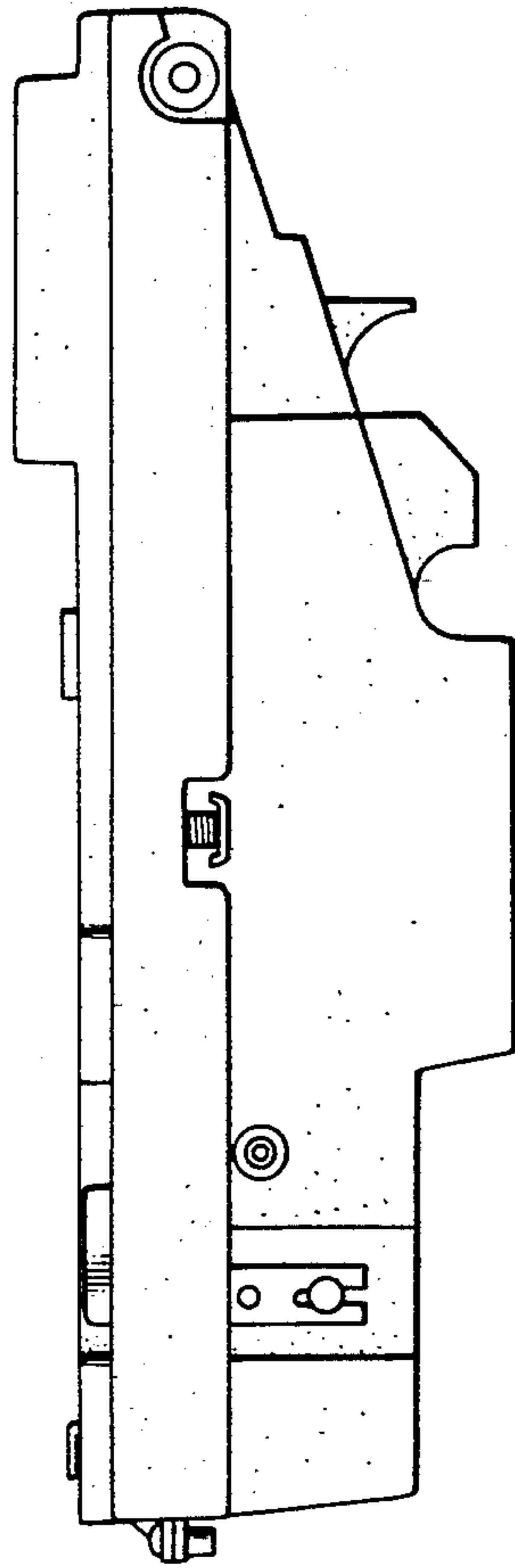


FIG. 6

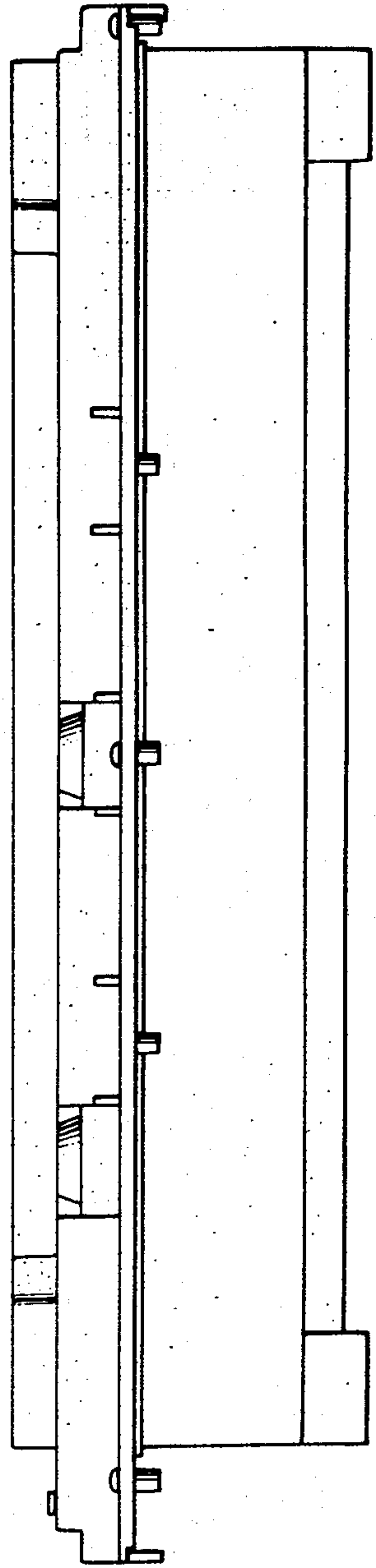


FIG. 7

