

[54] DOCUMENT FEEDER FOR ELECTROPHOTOGRAPHIC COPYING MACHINE

[75] Inventor: Masanori Hashimoto, Kanagawa, Japan

[73] Assignee: Ricoh Company, Ltd., Japan

[**] Term: 14 Years

[21] Appl. No.: 631,589

[22] Filed: Jul. 17, 1984

[30] Foreign Application Priority Data

Feb. 23, 1984 [JP] Japan 59-006626

[52] U.S. Cl. D16/32

[58] Field of Search D16/27-32; D14/110; 270/52, 58; 271/161, 3, 3.1, 4, 9, 35, 273-274, 171, 280, 284, 287-297, 303-305

[56] References Cited

U.S. PATENT DOCUMENTS

- D. 234,005 12/1974 Yagi D16/27
- D. 263,962 4/1982 Kurozumi D16/32

- D. 267,565 1/1983 Fossella D16/32
- D. 272,830 2/1984 Hara D16/32
- D. 276,238 11/1984 Kosako D16/32
- D. 278,347 4/1985 Kawazu D16/32
- D. 281,170 10/1985 Hara D16/32
- 3,891,203 6/1975 Schiff D16/32 X
- 4,279,504 7/1981 Brown D16/32 X
- 4,306,713 12/1981 Auritt 271/161 X

Primary Examiner—Nelson C. Holtje
Attorney, Agent, or Firm—Guy W. Shoup

[57] CLAIM

The ornamental design for document feeder for electrophotographic copying machine, as shown.

DESCRIPTION

FIG. 1 is a left front perspective view of a sorter for electrophotographic copying machine showing my new design;
 FIG. 2 is a front elevational view thereof;
 FIG. 3 is a top plan view thereof;
 FIG. 4 is a right side elevational view thereof;
 FIG. 5 is a left side elevational view thereof;
 FIG. 6 is a rear elevational view thereof; and,
 FIG. 7 is a bottom plan view thereof.

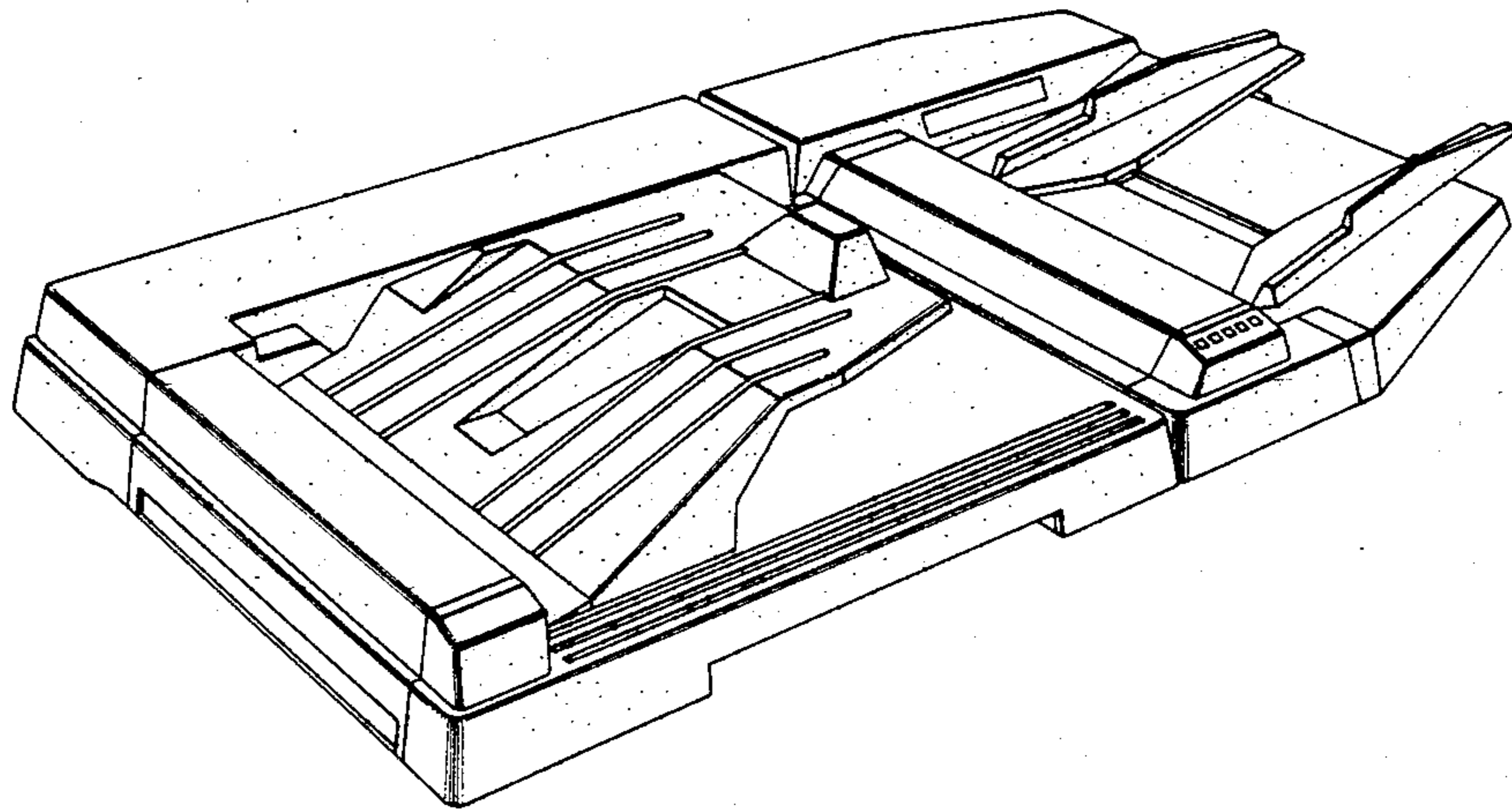


FIG. 1

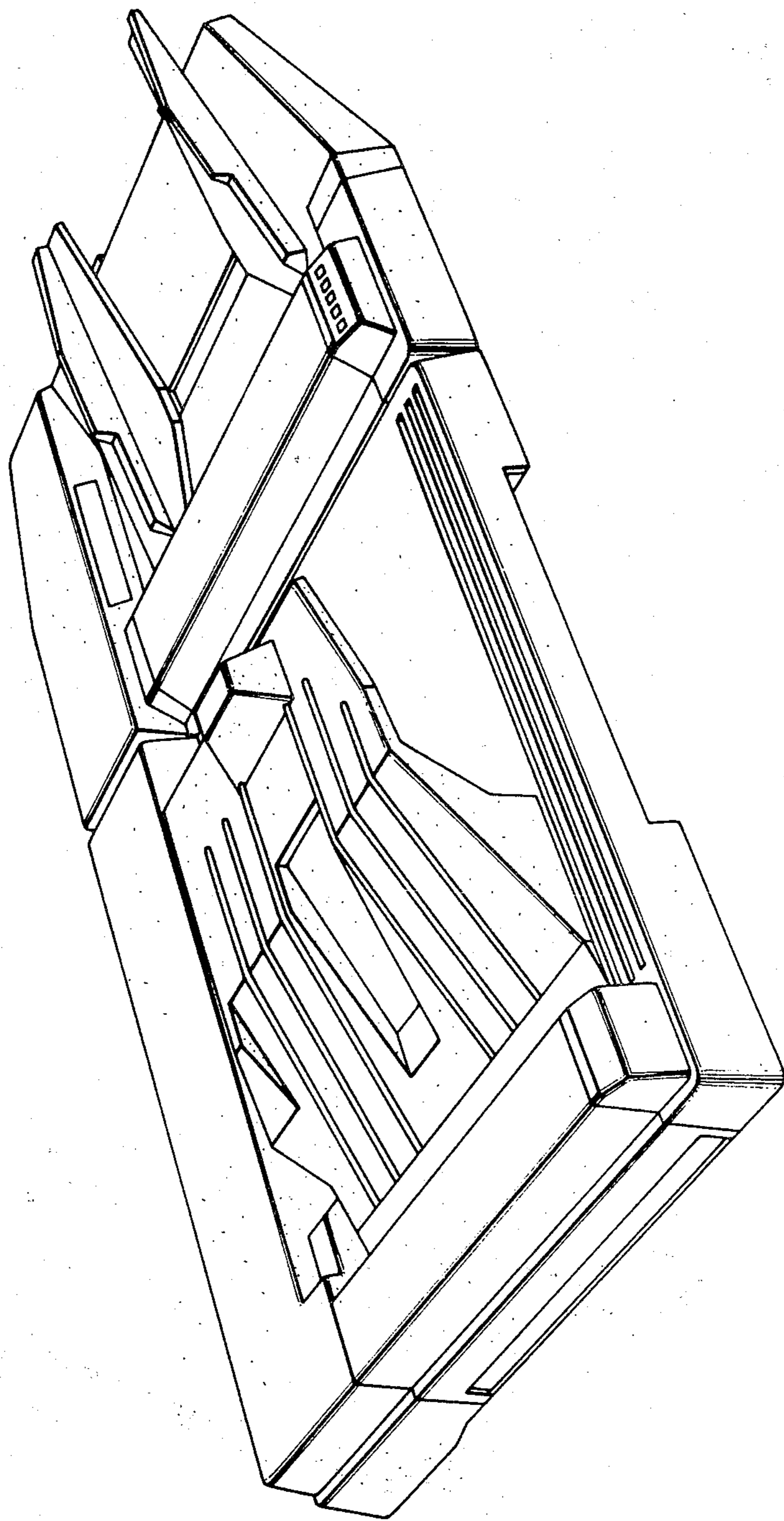


FIG. 2

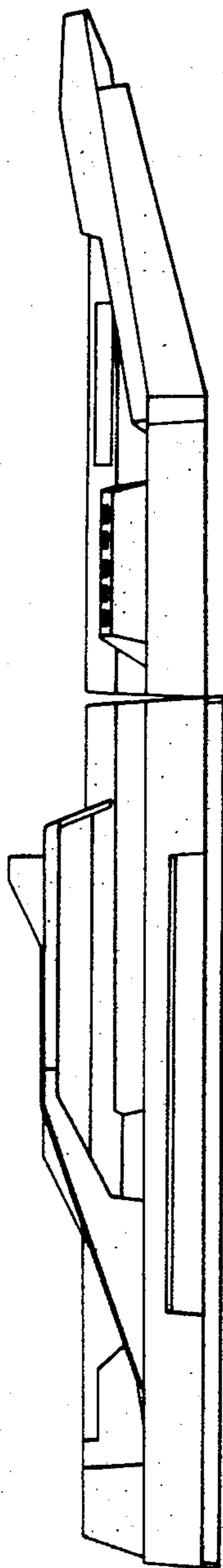


FIG. 4

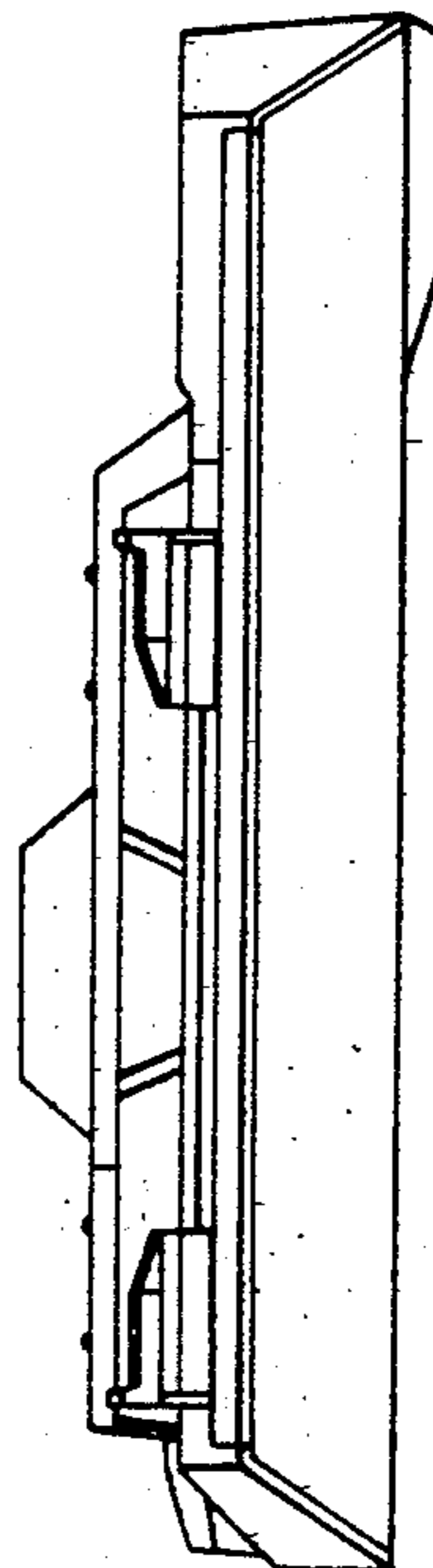


FIG. 5

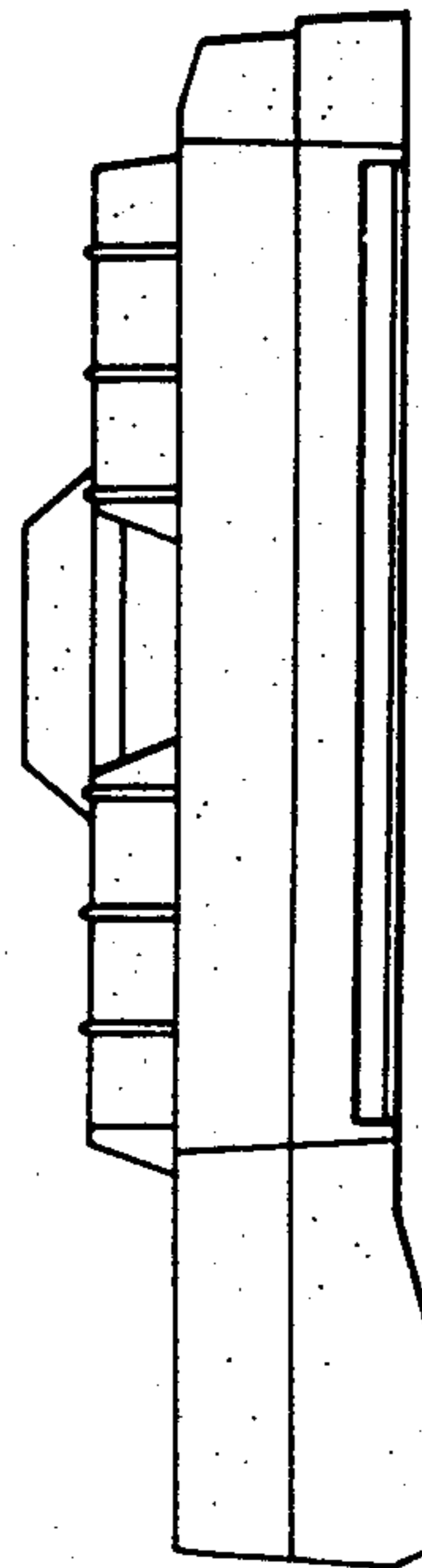


FIG. 3

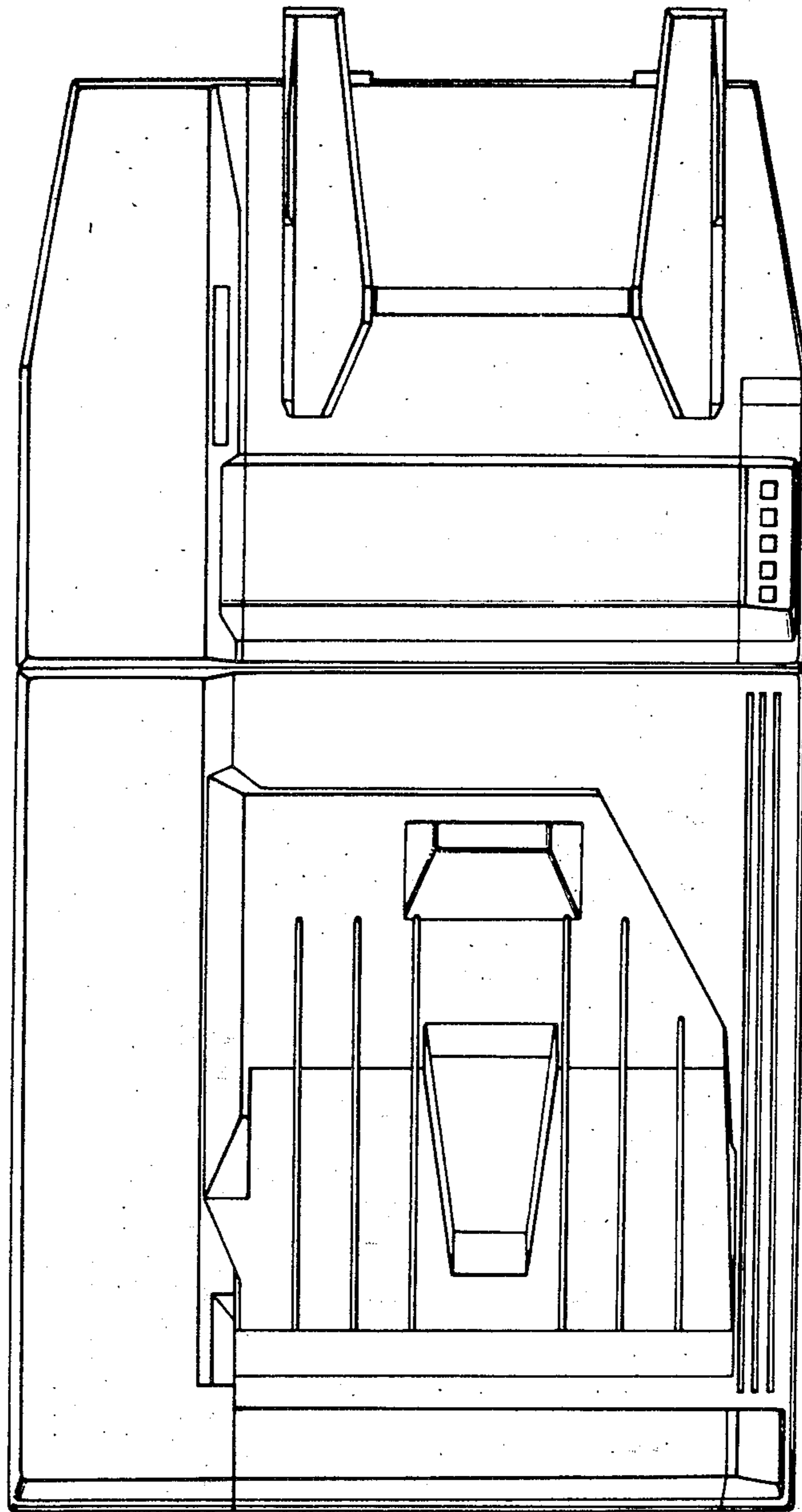


FIG. 6

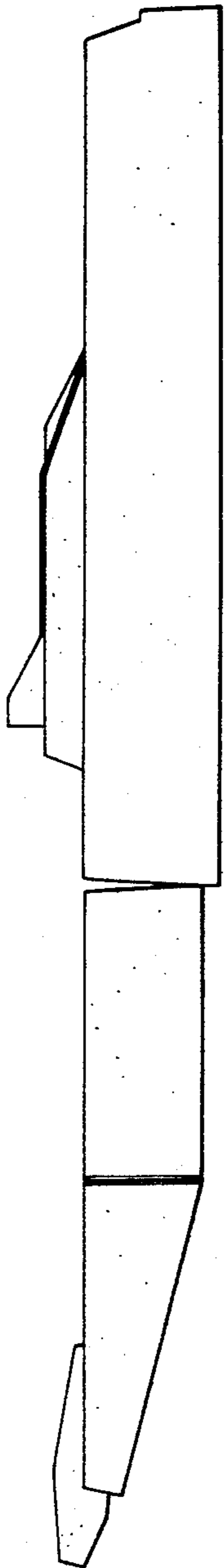


FIG. 7

