

[54] SORTER FOR ELECTROPHOTOGRAPHIC COPYING MACHINE

[75] Inventor: Masanori Hashimoto, Kanagawa, Japan

[73] Assignee: Ricoh Company, Ltd., Japan

[\*\*] Term: 14 Years

[21] Appl. No.: 631,588

[22] Filed: Jul. 17, 1984

[30] Foreign Application Priority Data

Feb. 23, 1984 [JP] Japan ..... 59-006625

[52] U.S. Cl. .... D16/32; D14/110

[58] Field of Search ..... D16/27-32; D14/110; 355/3 SH, 14 SH, 3 R; 270/58, 52; 271/9, 292-293, 287-291, 294-305

[56] References Cited

U.S. PATENT DOCUMENTS

- D. 240,557 7/1976 Stemmler ..... D16/32
- D. 261,272 10/1981 Lawrence ..... D16/32
- D. 271,882 12/1983 Du Bois ..... D16/32
- D. 280,635 9/1985 Saito ..... D16/32
- D. 280,636 9/1985 Hara ..... D16/32

- D. 281,699 12/1985 Fukuda ..... D16/32
- 3,561,754 2/1971 Gaffron ..... 270/58 X
- 4,105,196 8/1978 Van Wagener ..... 270/58
- 4,328,963 5/1982 Du Bois ..... 271/293
- 4,332,377 6/1982 Du Bois ..... 271/293
- 4,343,463 8/1982 Lawrence ..... 271/293
- 4,433,837 2/1984 Romanowski ..... D16/32

OTHER PUBLICATIONS

*The Office*, 4/1983-p. 187-Sorter w/Copier.

Primary Examiner—Nelson C. Holtje  
Attorney, Agent, or Firm—Guy W. Shoup

[57] CLAIM

The ornamental design for sorter for electrophotographic copying machine, as shown.

DESCRIPTION

FIG. 1 is a left front perspective view of a sorter for electrophotographic copying machine showing my new design;  
 FIG. 2 is a front elevational view thereof;  
 FIG. 3 is a top plan view thereof;  
 FIG. 4 is a right side elevational view thereof;  
 FIG. 5 is a left side elevational view thereof;  
 FIG. 6 is a rear elevational view thereof; and,  
 FIG. 7 is a bottom plan view thereof.

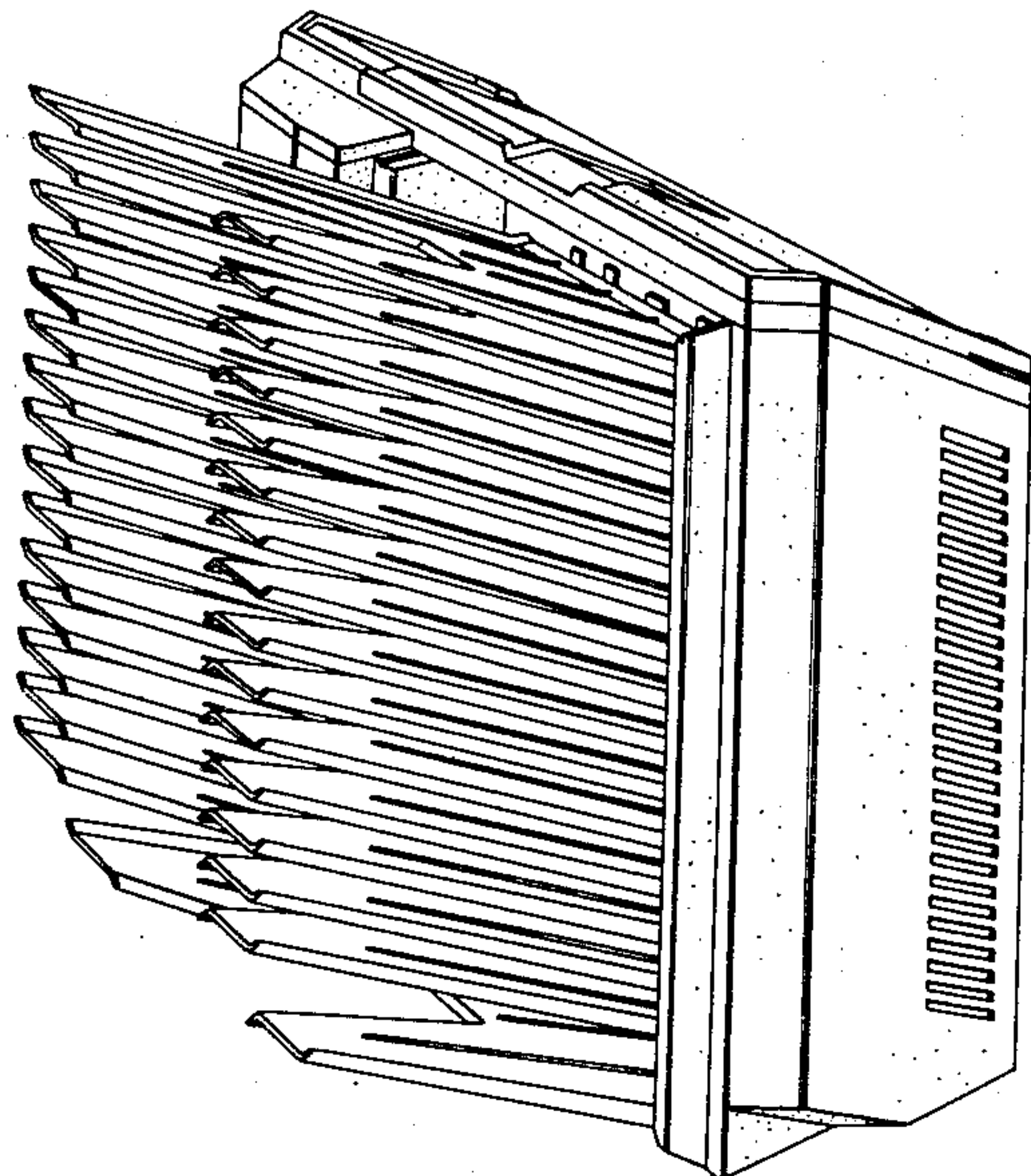


FIG. 1

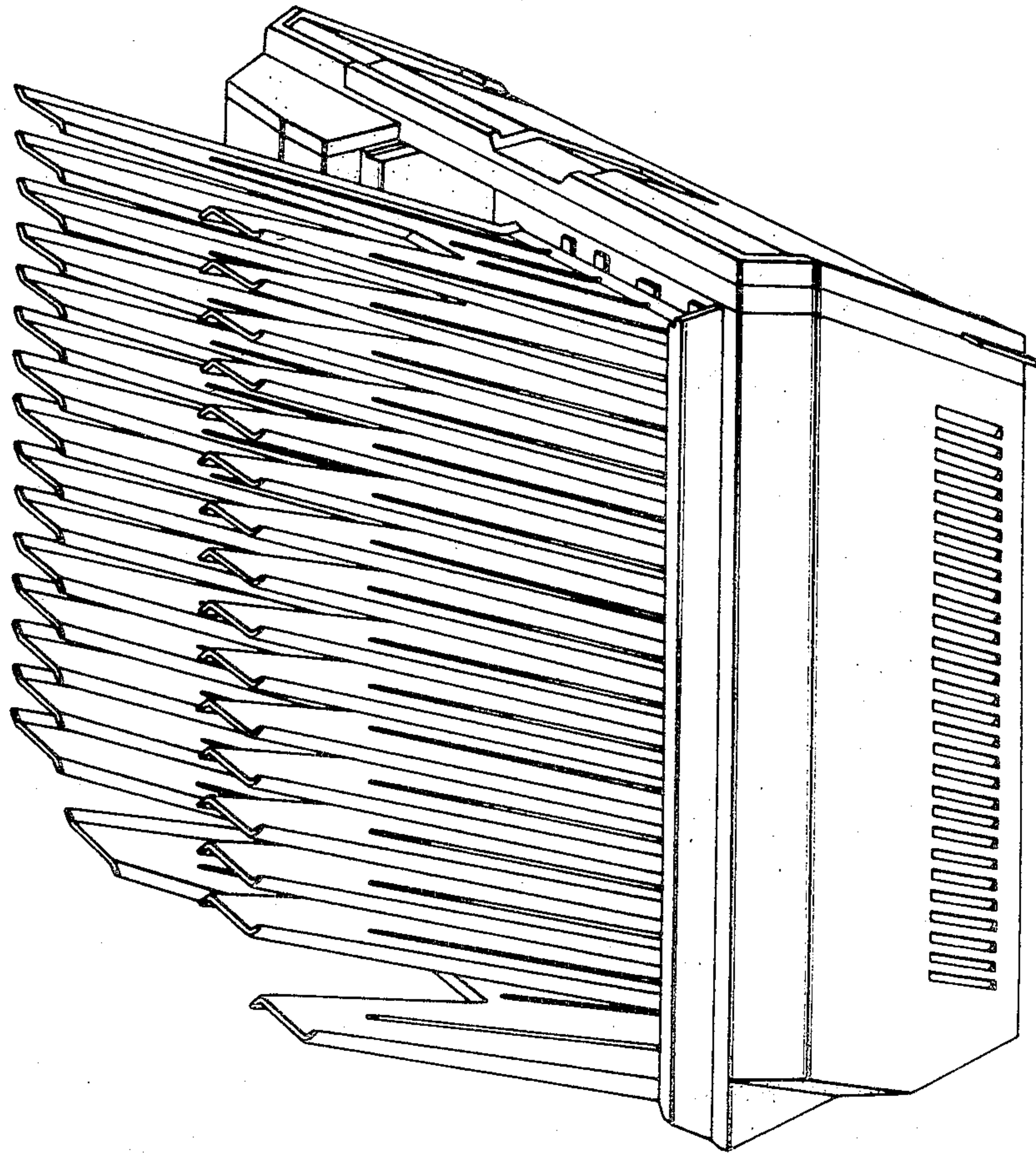


FIG. 2

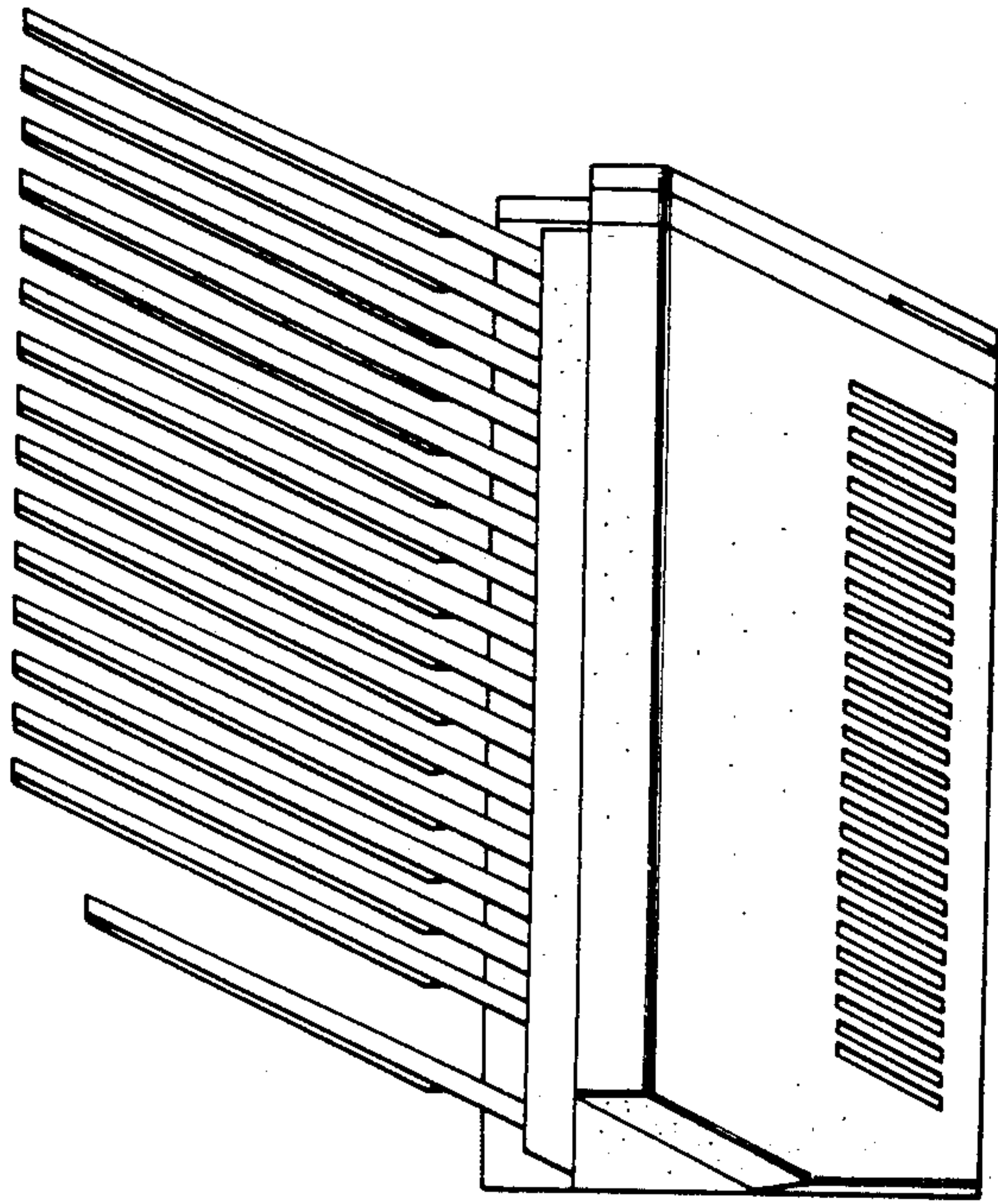


FIG. 3

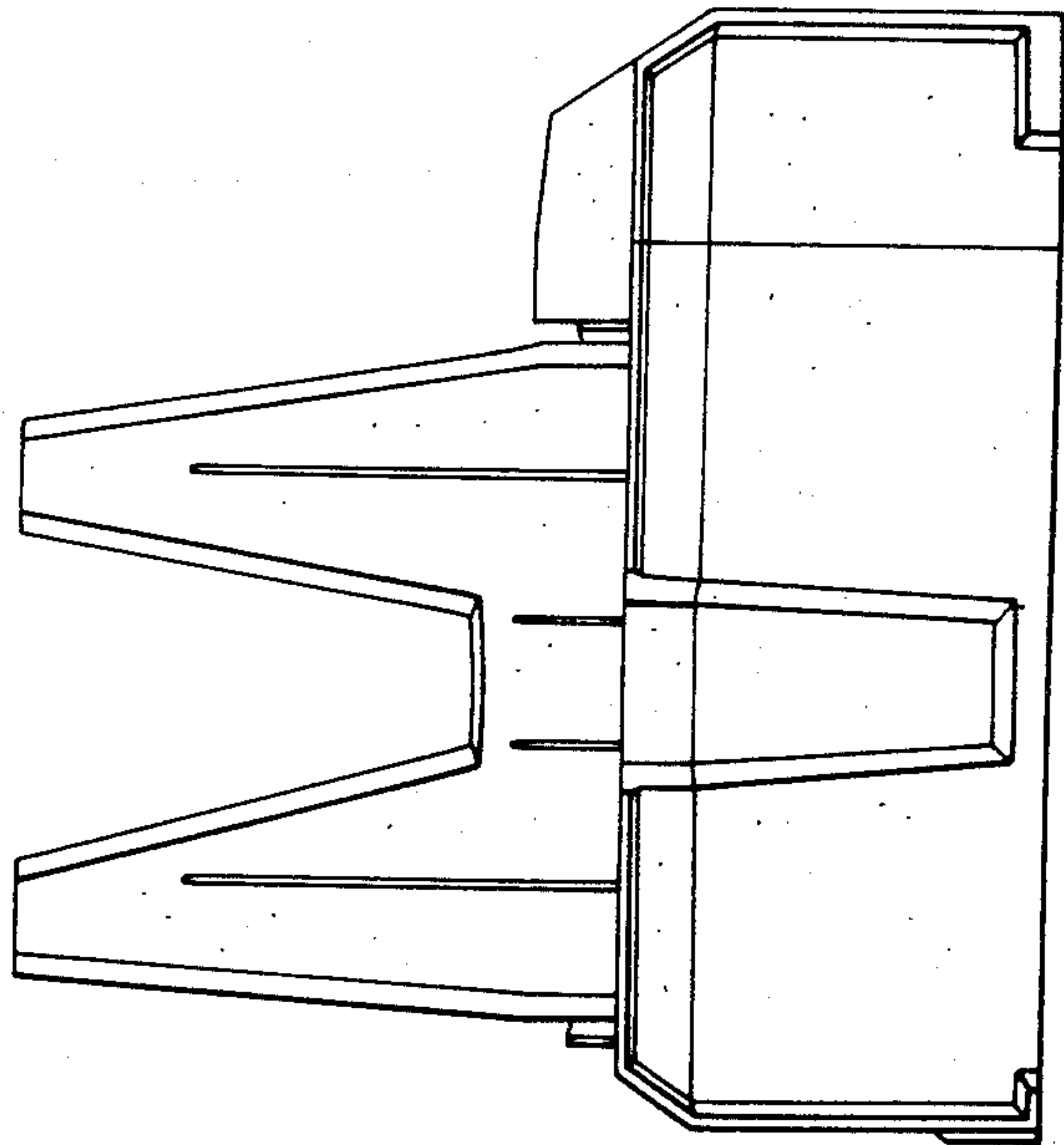




FIG. 4

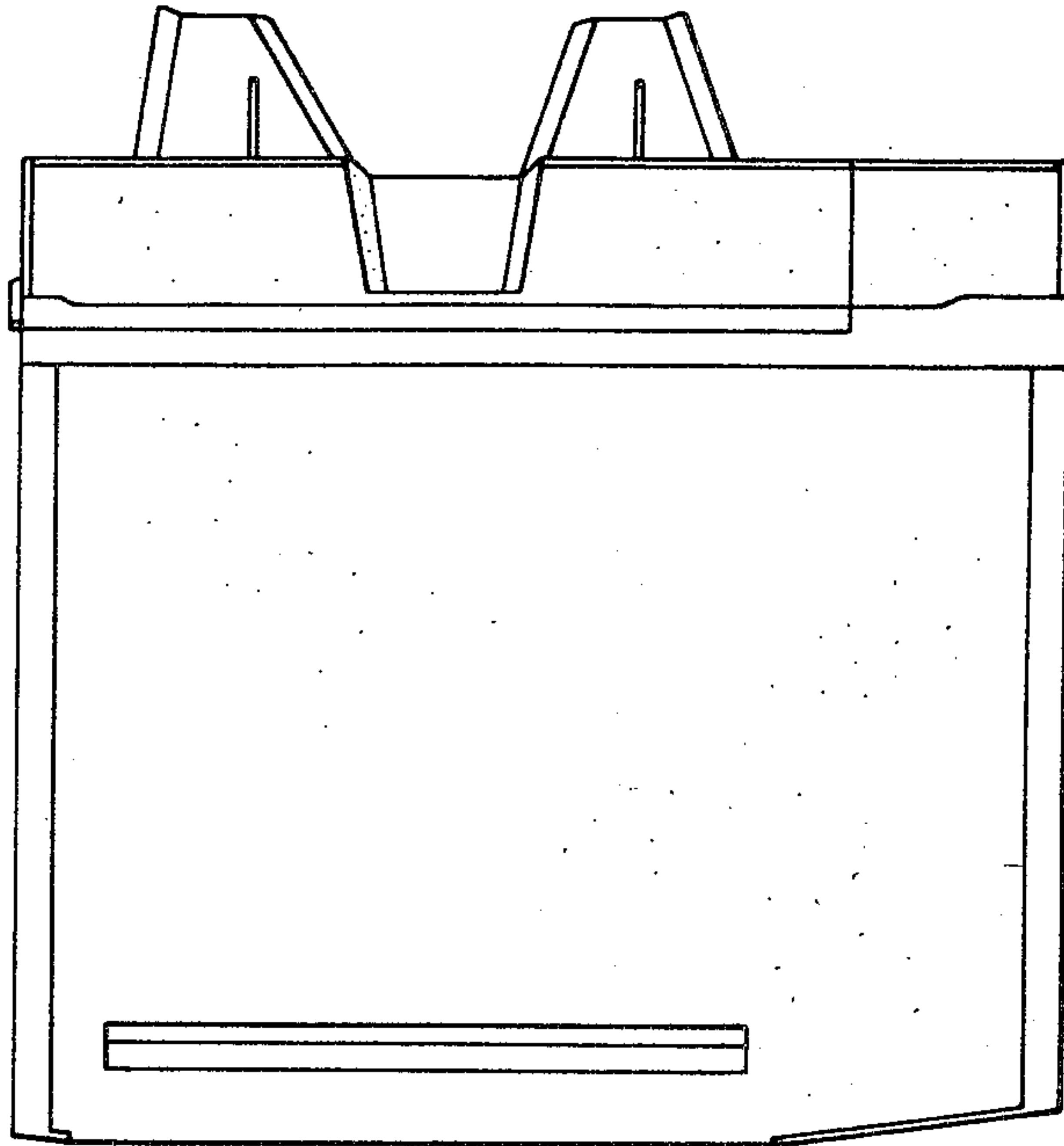


FIG. 5

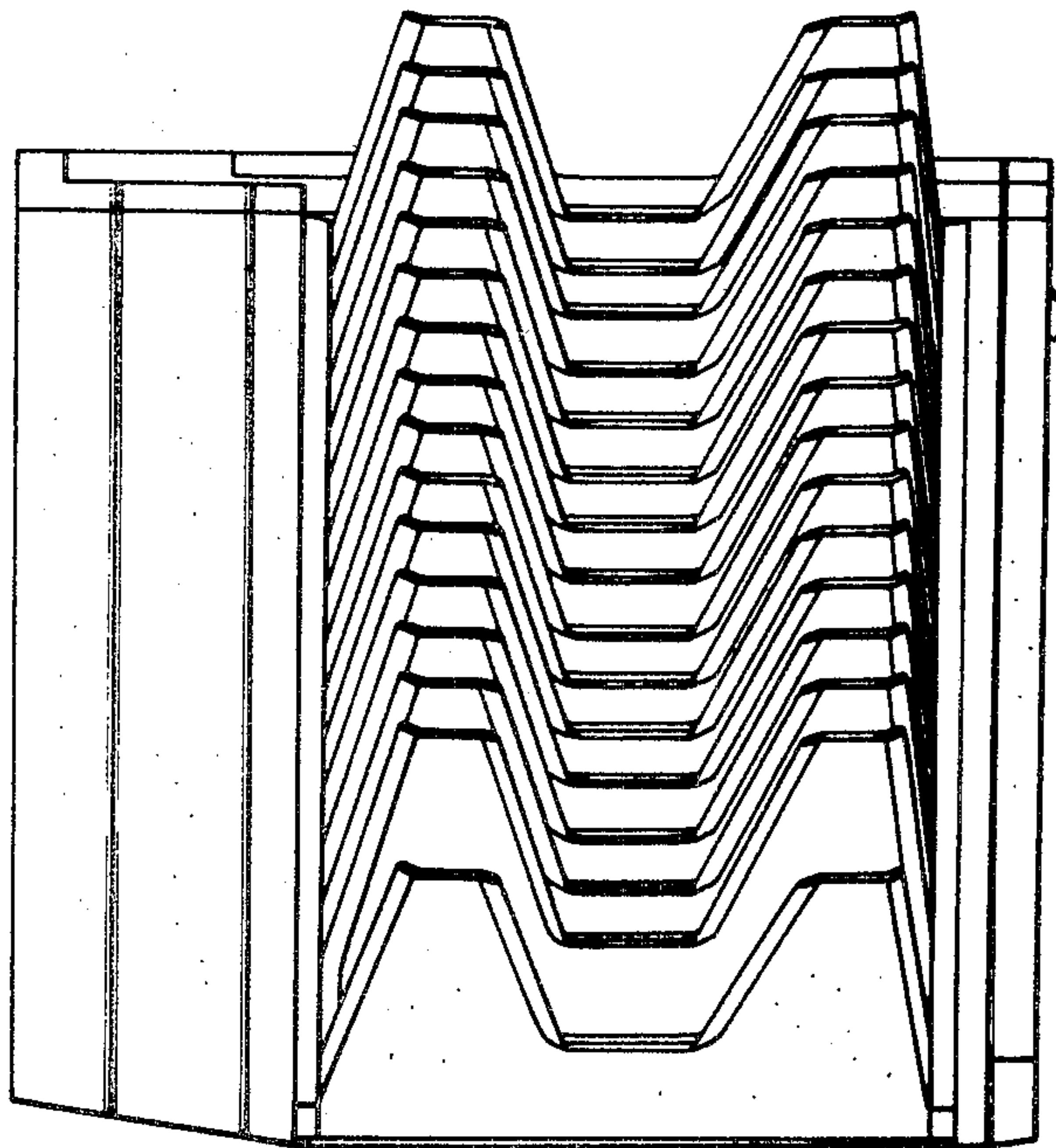


FIG. 6

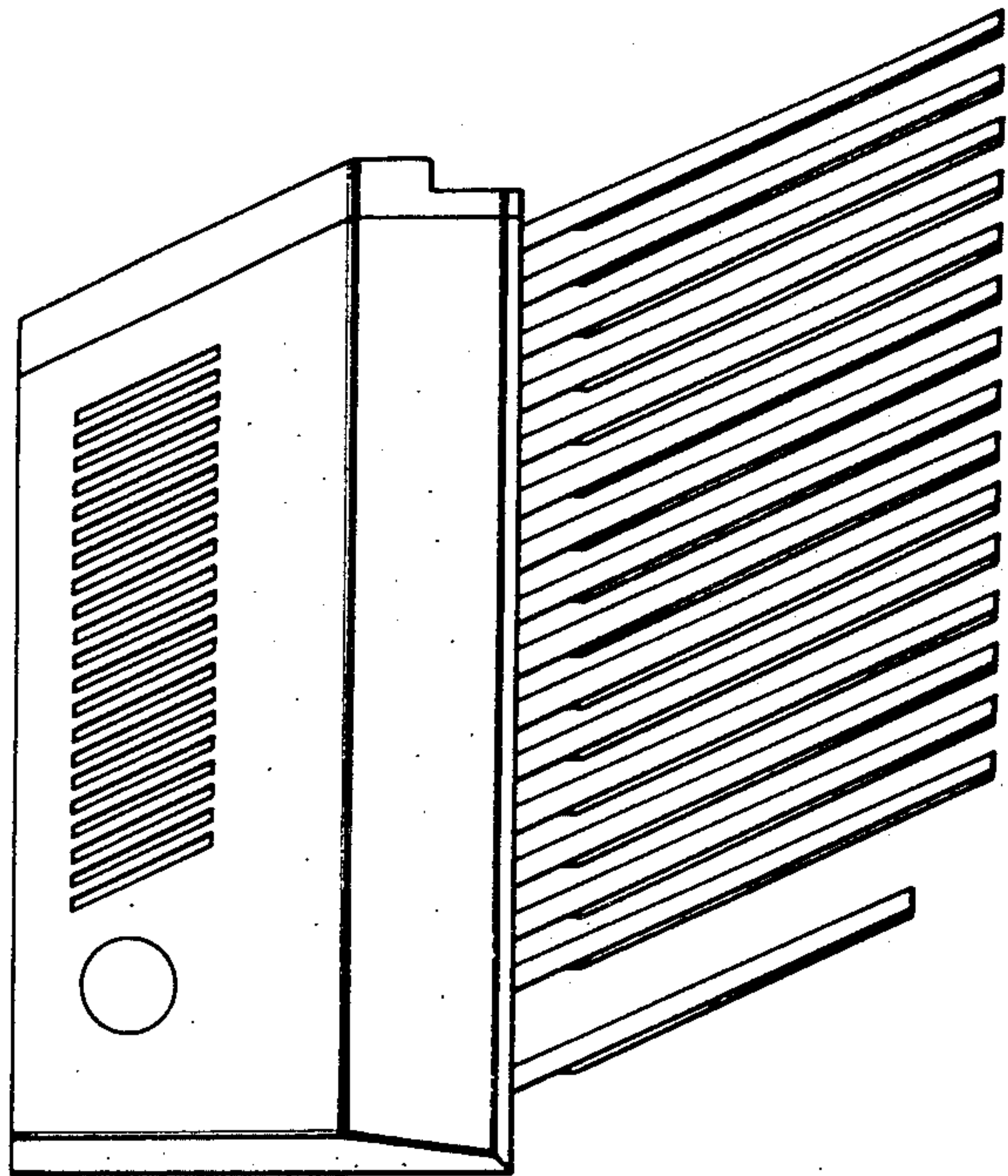


FIG. 7

