

[54] SUPPORT FRAME FOR A POWER TOOL

[75] Inventors: Michael J. Duwell, Cincinnati;  
Charles J. Haas, Middletown, both  
of Ohio

[73] Assignee: Shopsmith, Inc., Dayton, Ohio

[\*\*] Term: 14 Years

[21] Appl. No.: 552,580

[22] Filed: Nov. 16, 1983

[52] U.S. Cl. .... D15/141

[58] Field of Search ..... D15/138, 141; 144/1 R,  
144/134 A, 286 R; 409/229

[56] References Cited

U.S. PATENT DOCUMENTS

D. 180,395	6/1957	Edgmond, Jr. .	
3,282,309	11/1966	Parker et al. ....	144/1
4,105,055	8/1978	Brente .....	144/1 R
4,133,360	1/1979	Sanfilippo et al. ....	144/286 R
4,161,974	7/1979	Patterson .....	144/1 R
4,350,193	9/1982	McCambridge et al. ....	144/1 R

Primary Examiner—B. J. Bullock

Assistant Examiner—Suzanne N. Gitlin  
Attorney, Agent, or Firm—Biebel, French & Nauman

[57] CLAIM

The ornamental design for a support frame for a power tool, substantially as shown and described.

DESCRIPTION

FIG. 1 is a perspective view of a support frame for a power tool showing our new design;  
 FIG. 2 is an enlarged end elevational view taken from the left of FIG. 1, the right end being identical;  
 FIG. 3 is a side elevational view taken from the left of FIG. 1, the right side being identical;  
 FIG. 4 is a top plan view thereof;  
 FIG. 5 is an enlarged fragmentary bottom view taken along line 5—5 of FIG. 2;  
 FIG. 6 is an enlarged side elevational view of a cover plate taken in the direction of the arrows along line 6—6 shown separately for clarity of illustration;  
 FIG. 7 is an enlarged fragmentary sectional view taken in the direction of the arrows along line 7—7 of FIG. 4;  
 FIG. 8 is an enlarged fragmentary view taken in the direction of the arrows along line 8—8 of FIG. 5.

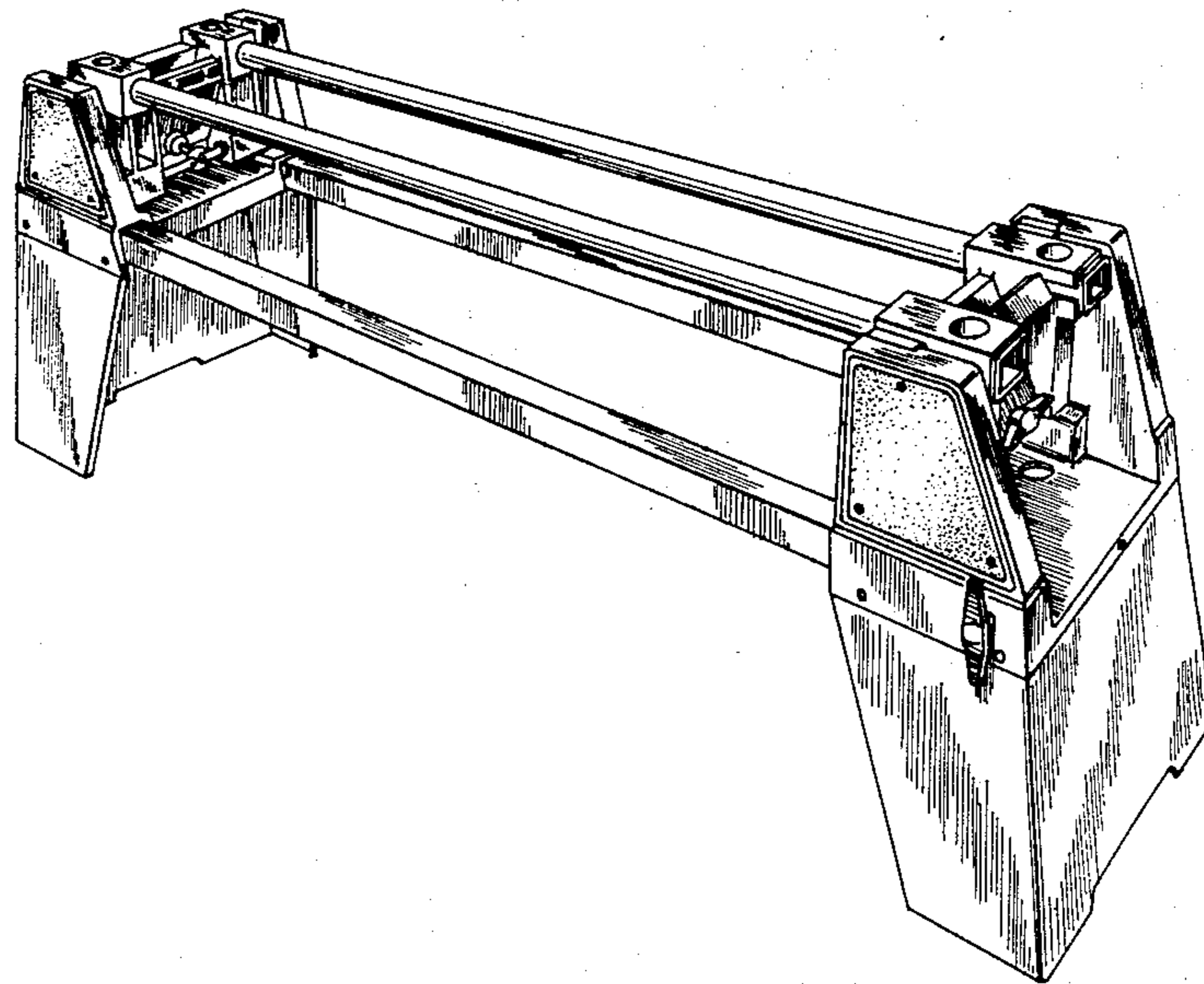


FIG-1

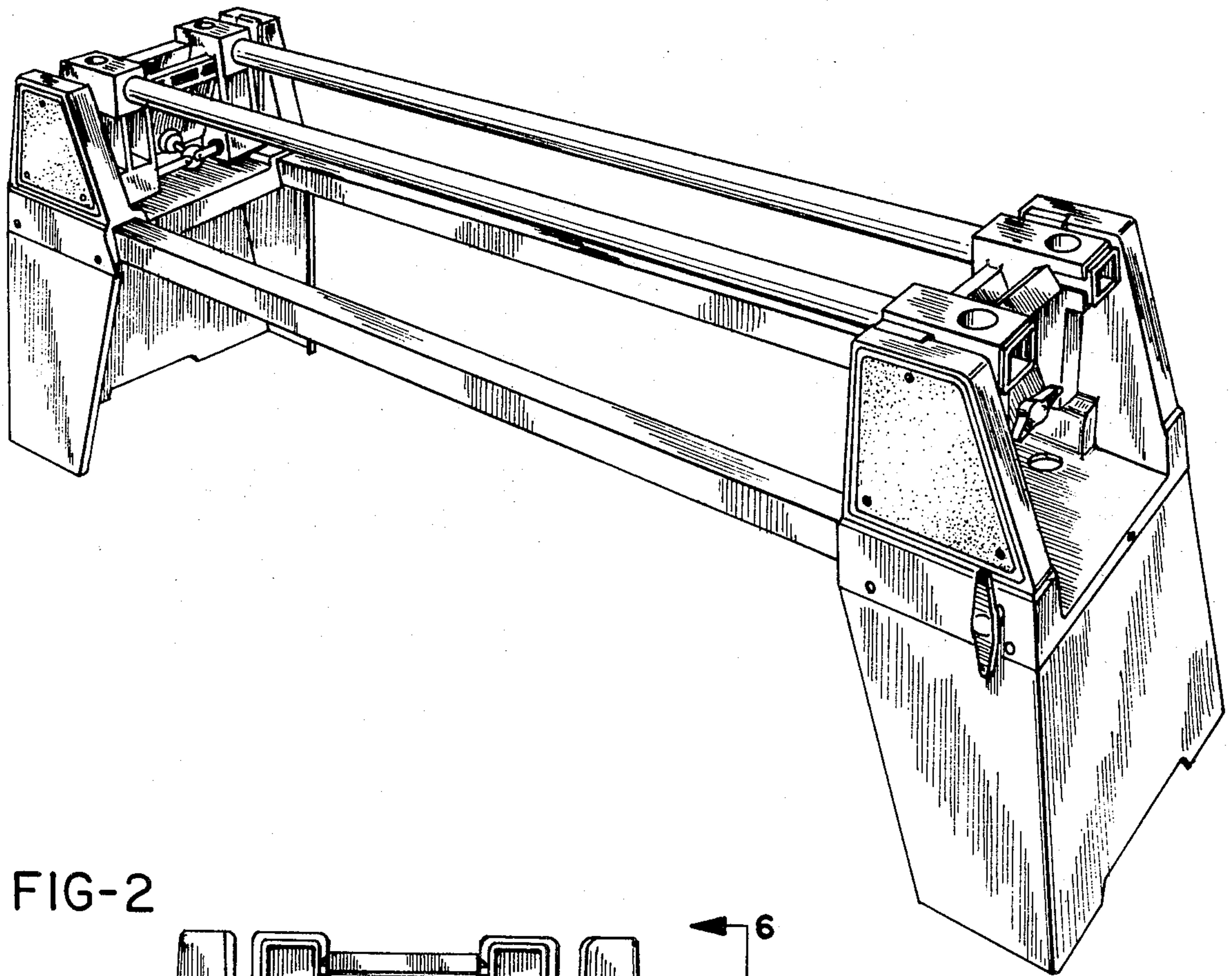


FIG-2

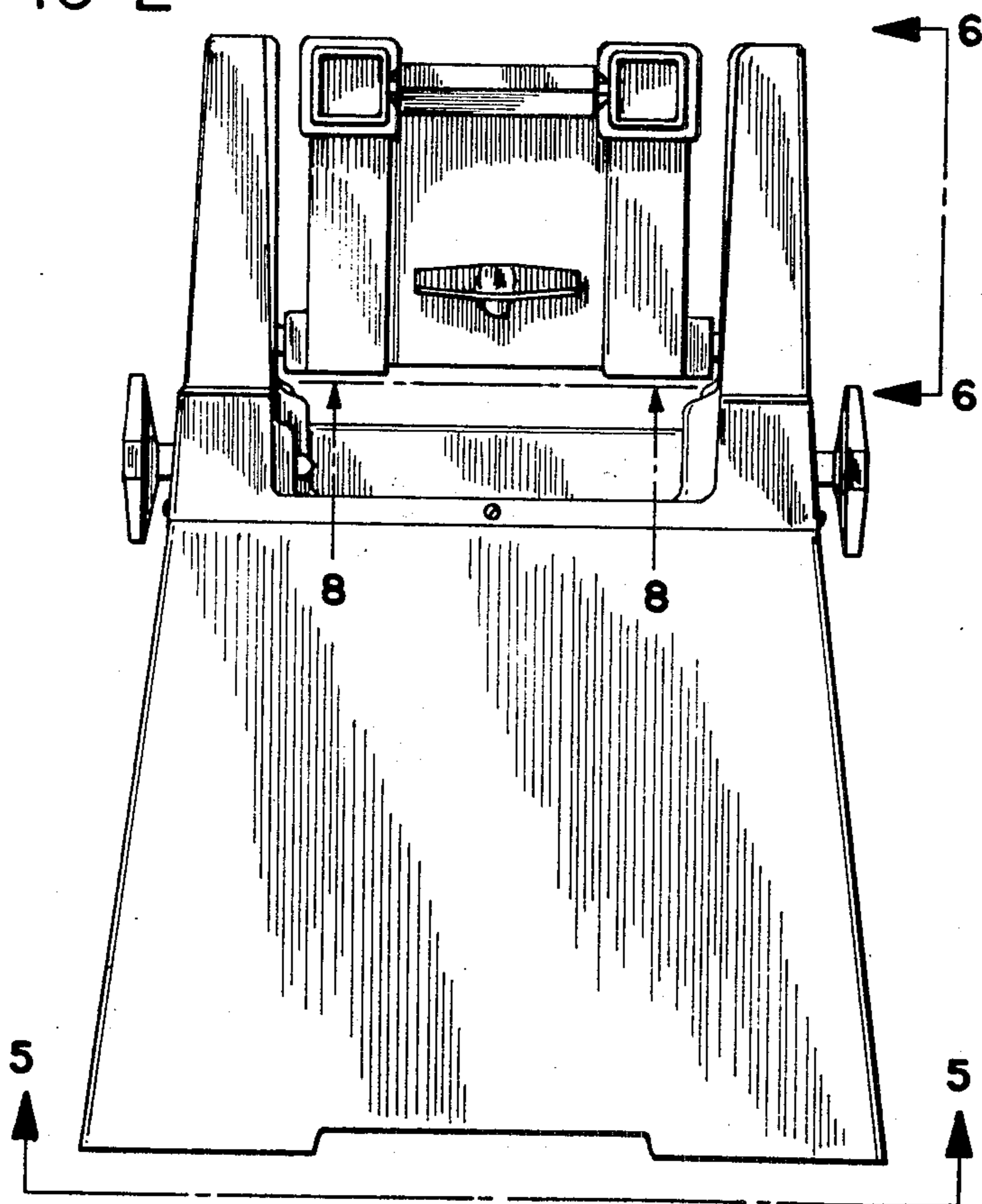


FIG-3

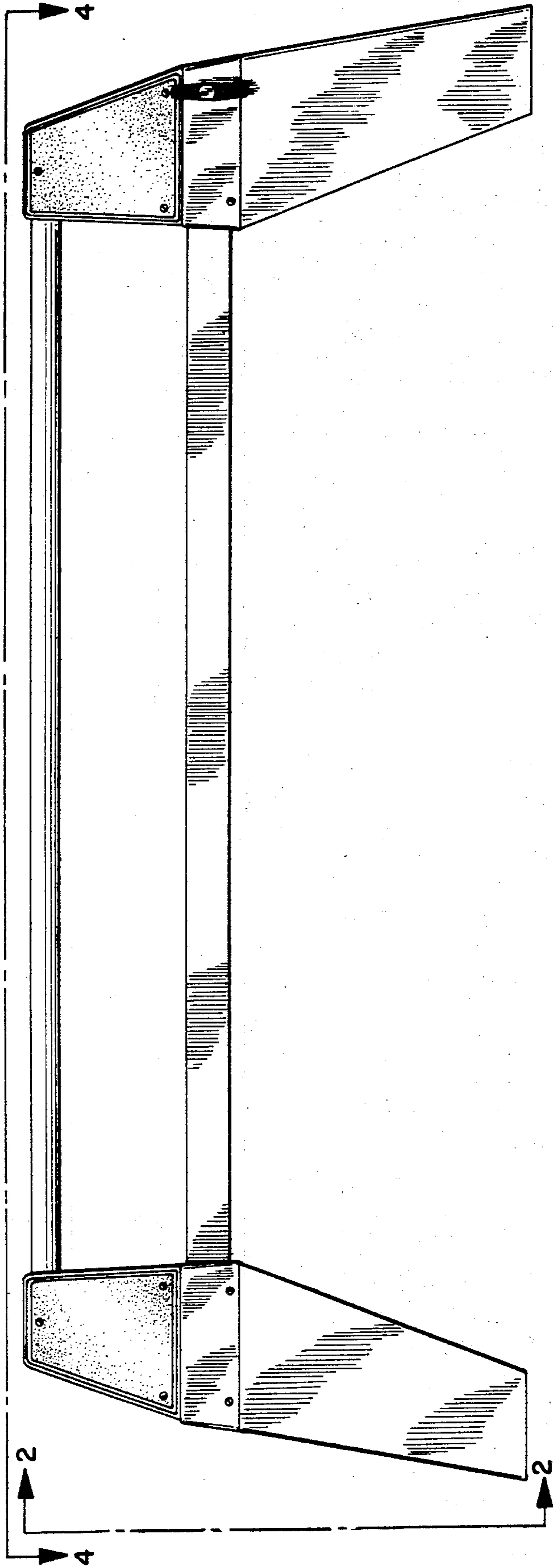
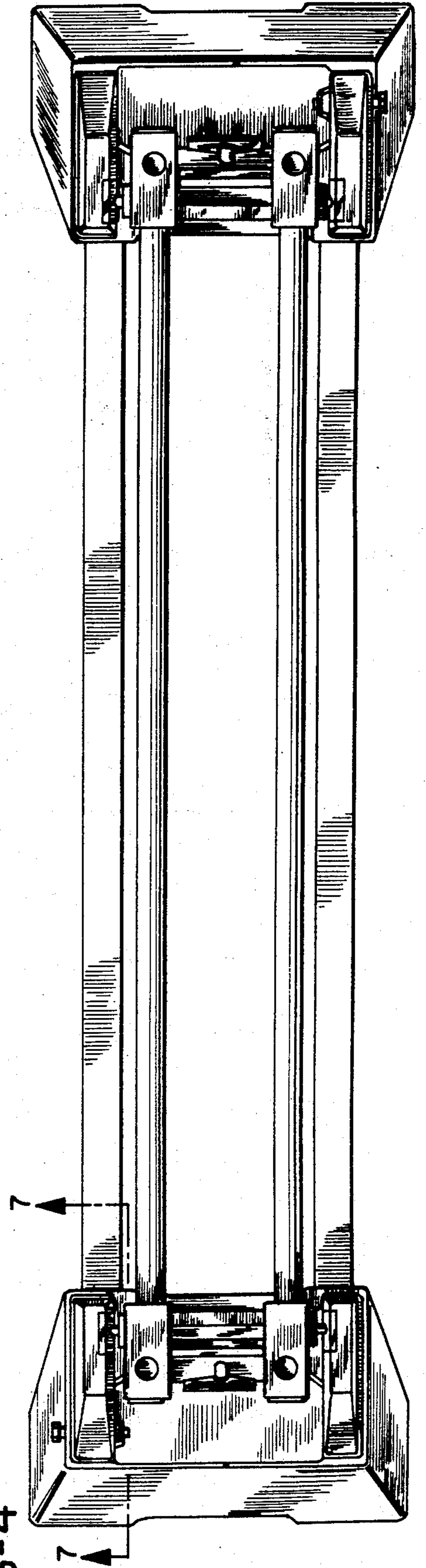


FIG-4



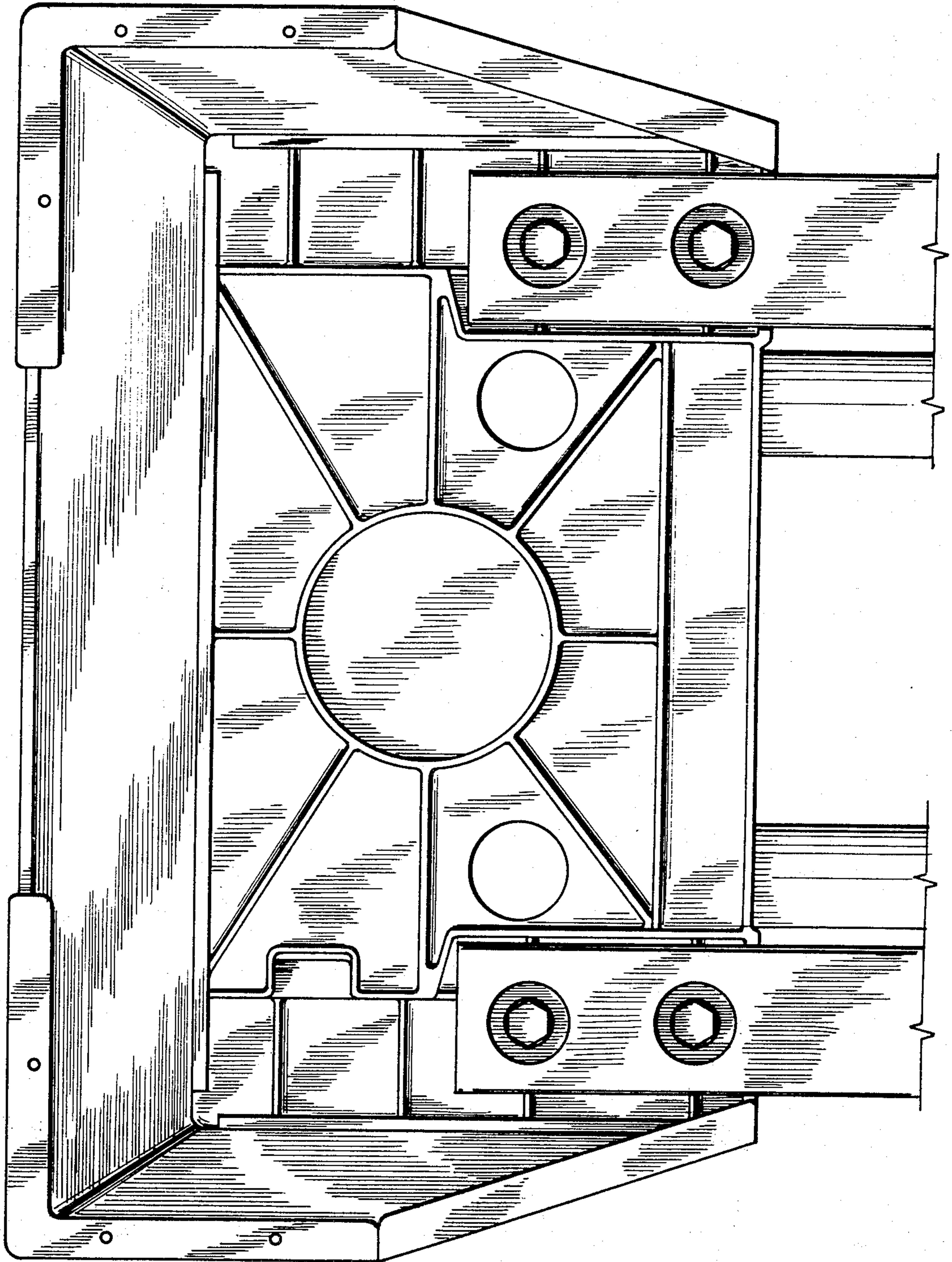


FIG-5

FIG-6

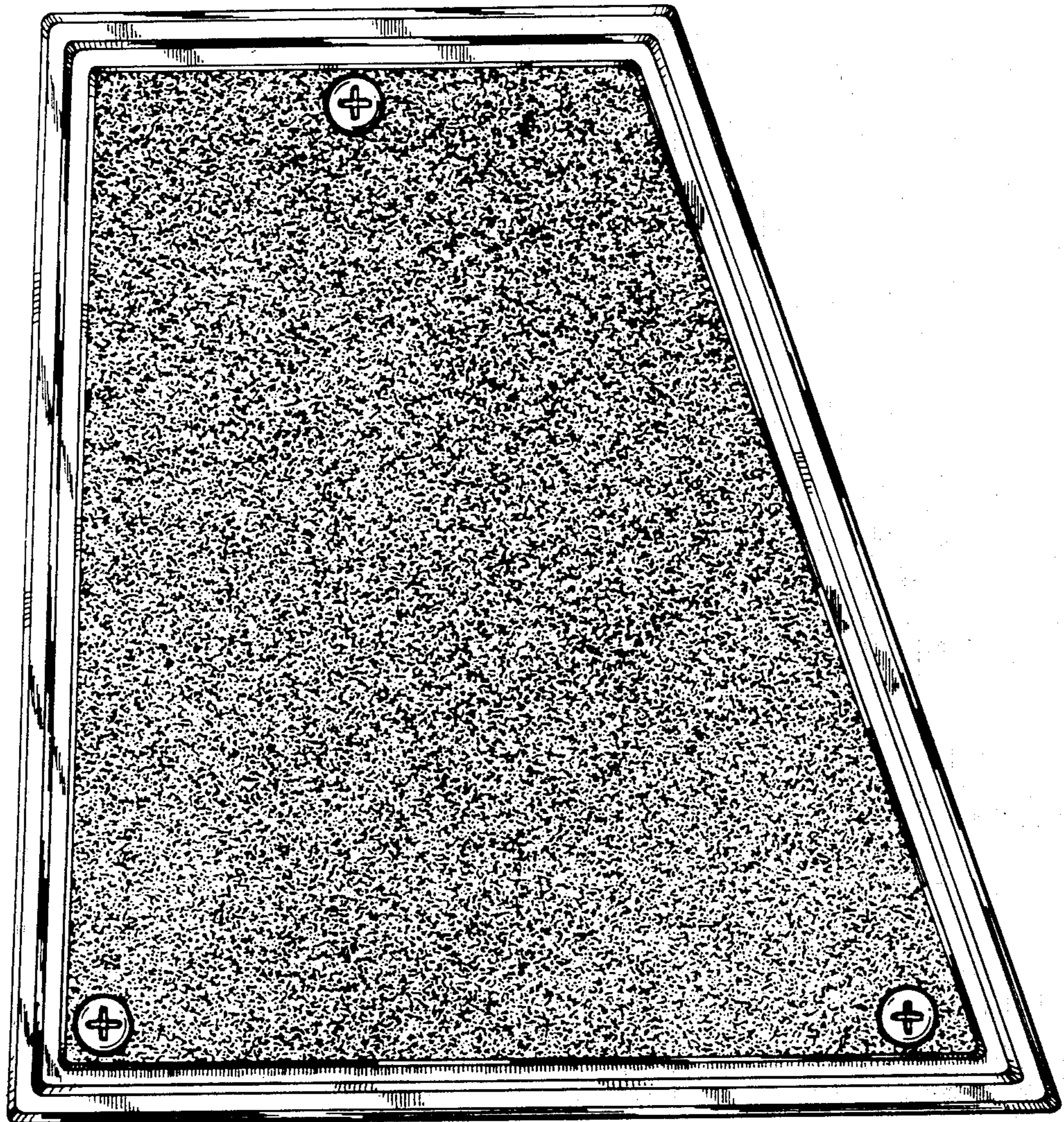


FIG-7

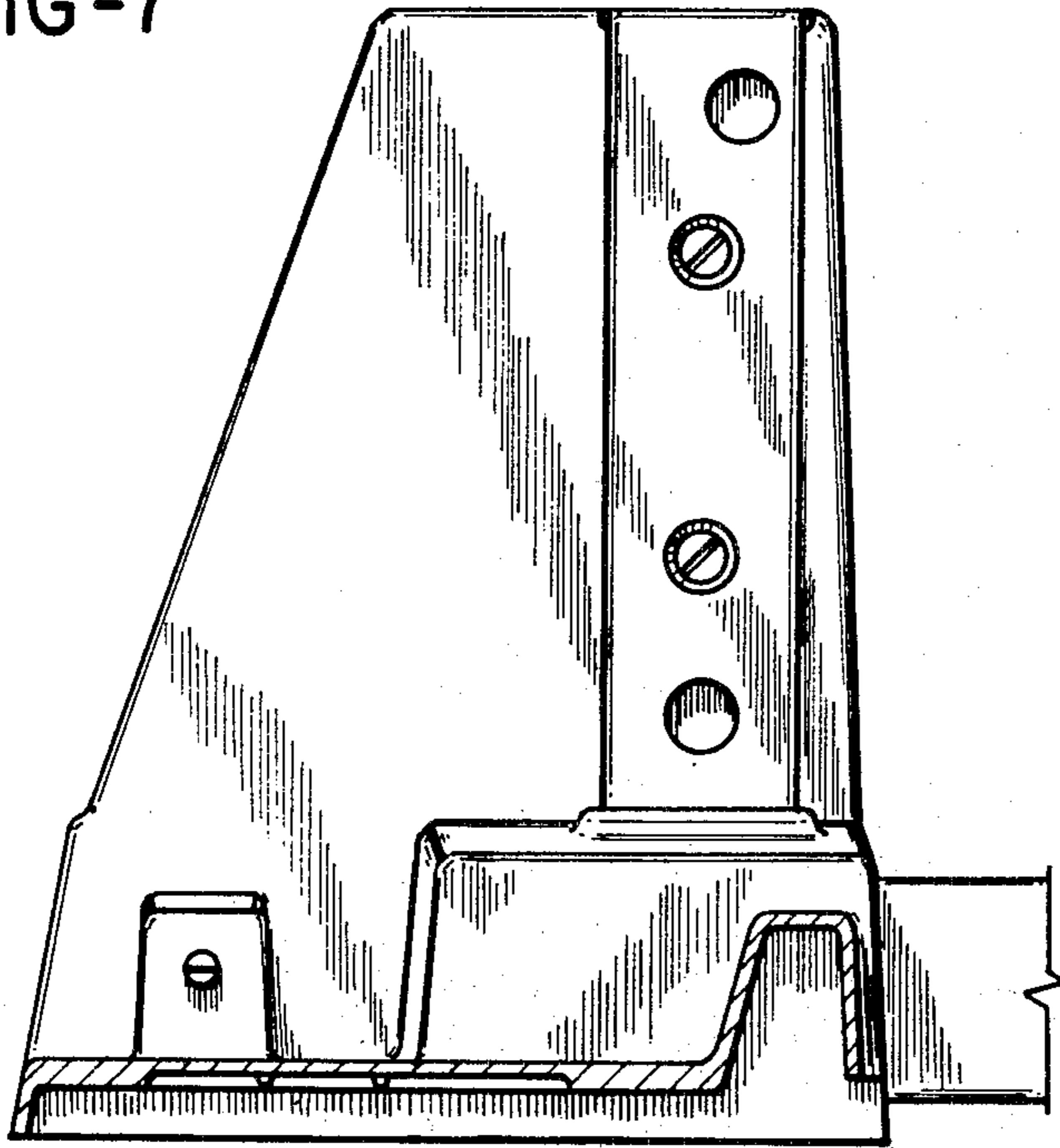


FIG-8

