

[54] ELECTRIC BAND SAW

[75] Inventor: Masayoshi Yamamoto, Hiroshima, Japan

[73] Assignee: Ryobi Ltd., Hiroshima, Japan

[**] Term: 14 Years

[21] Appl. No.: 629,294

[22] Filed: Jul. 9, 1984

[30] Foreign Application Priority Data

Feb. 21, 1984 [JP] Japan 59-6465

[52] U.S. Cl. D15/134

[58] Field of Search D15/127, 133, 134; 83/788, 810, 811

[56] References Cited

U.S. PATENT DOCUMENTS

- D. 149,203 4/1948 Meeker et al. D7/385
- D. 150,958 9/1948 Karp D7/385

- 2,827,085 3/1958 Ocnasck D15/134
- 3,072,164 1/1963 Ramirez et al. 83/788
- 3,801,089 4/1974 Fukugami et al. 83/810
- 4,372,185 2/1983 Pila D15/134

Primary Examiner—B. J. Bullock
Attorney, Agent, or Firm—Sughrue, Mion, Zinn, Macpeak, and Seas

[57] CLAIM

The ornamental design for an electric band saw, as shown.

DESCRIPTION

FIG. 1 is a front, top and right side perspective view of an electric band saw showing my new design;
 FIG. 2 is a front elevational view thereof;
 FIG. 3 is a rear elevational view thereof;
 FIG. 4 is a top plan view thereof;
 FIG. 5 is a bottom plan view thereof;
 FIG. 6 is a right side elevational view thereof; and
 FIG. 7 is a left side elevational view thereof.

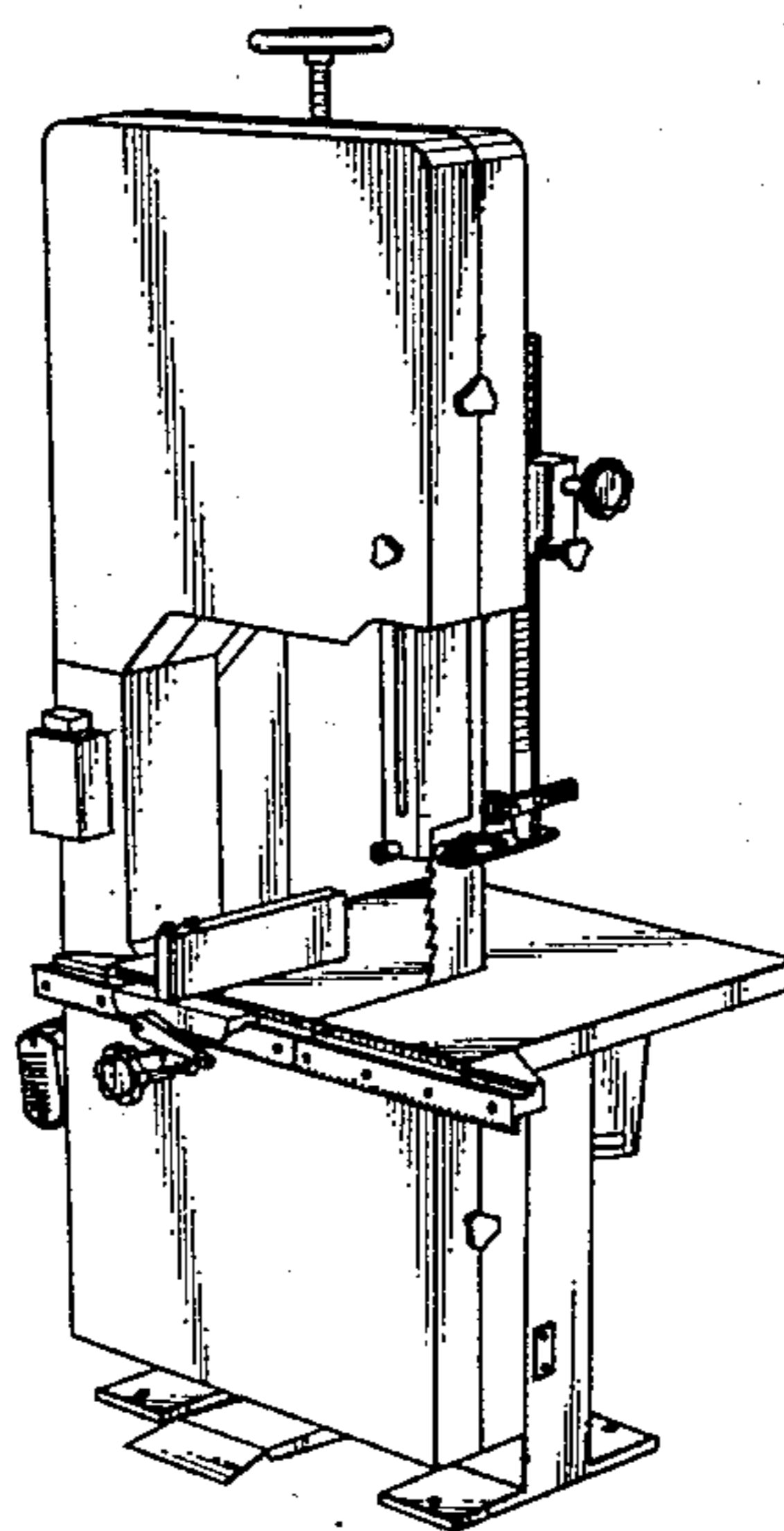


Fig. 1

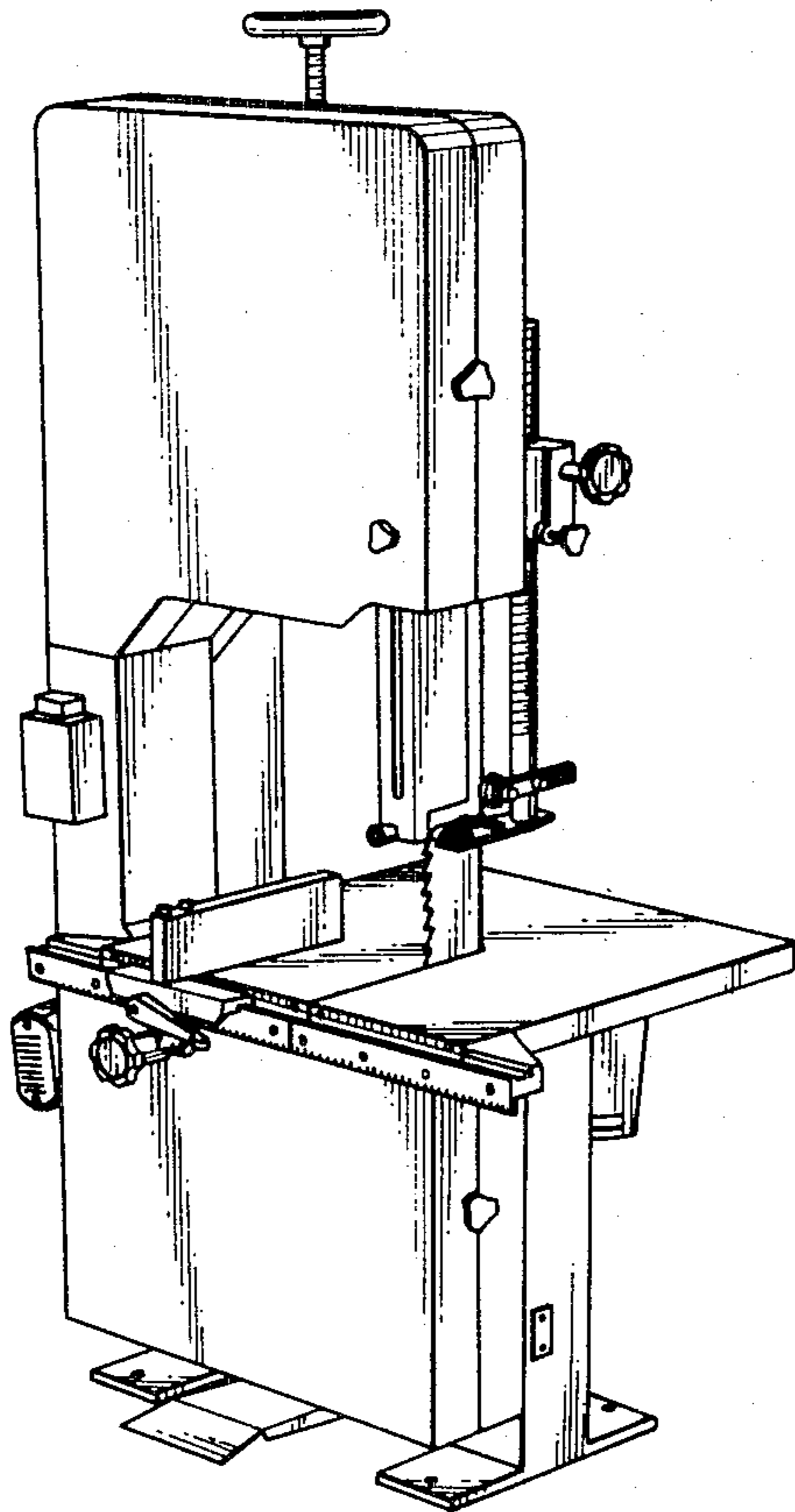


Fig. 3

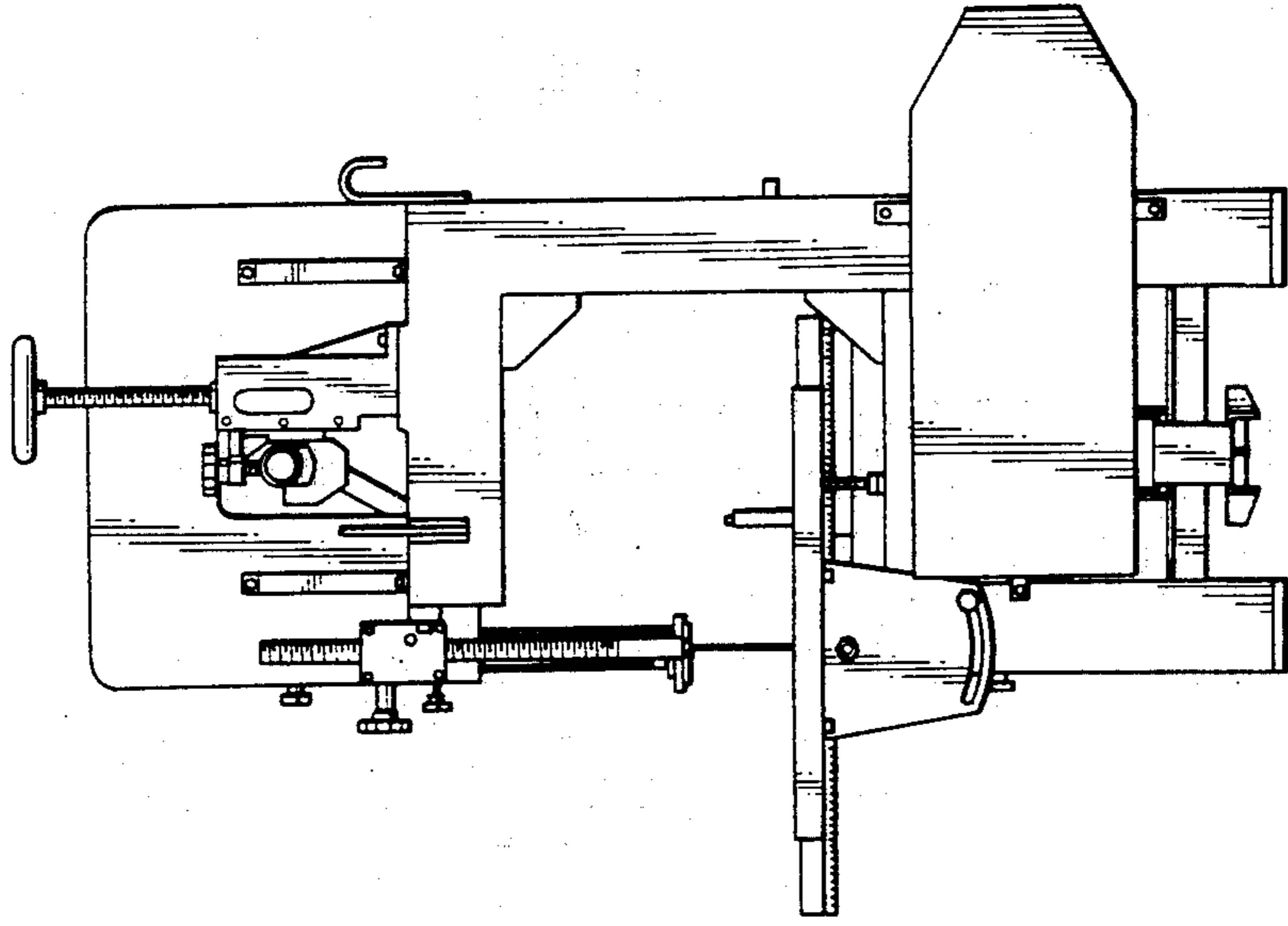


Fig. 2

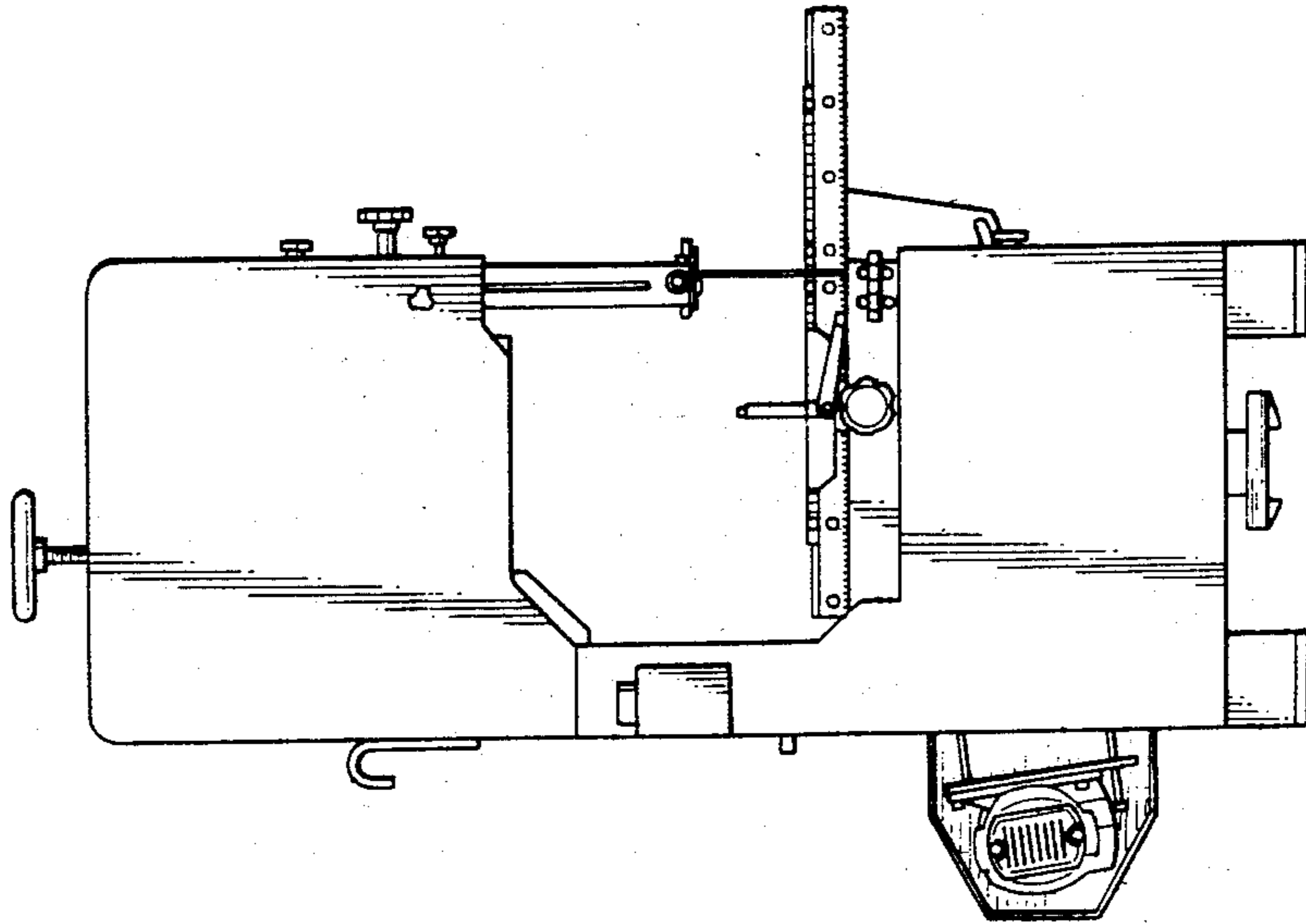


Fig.4

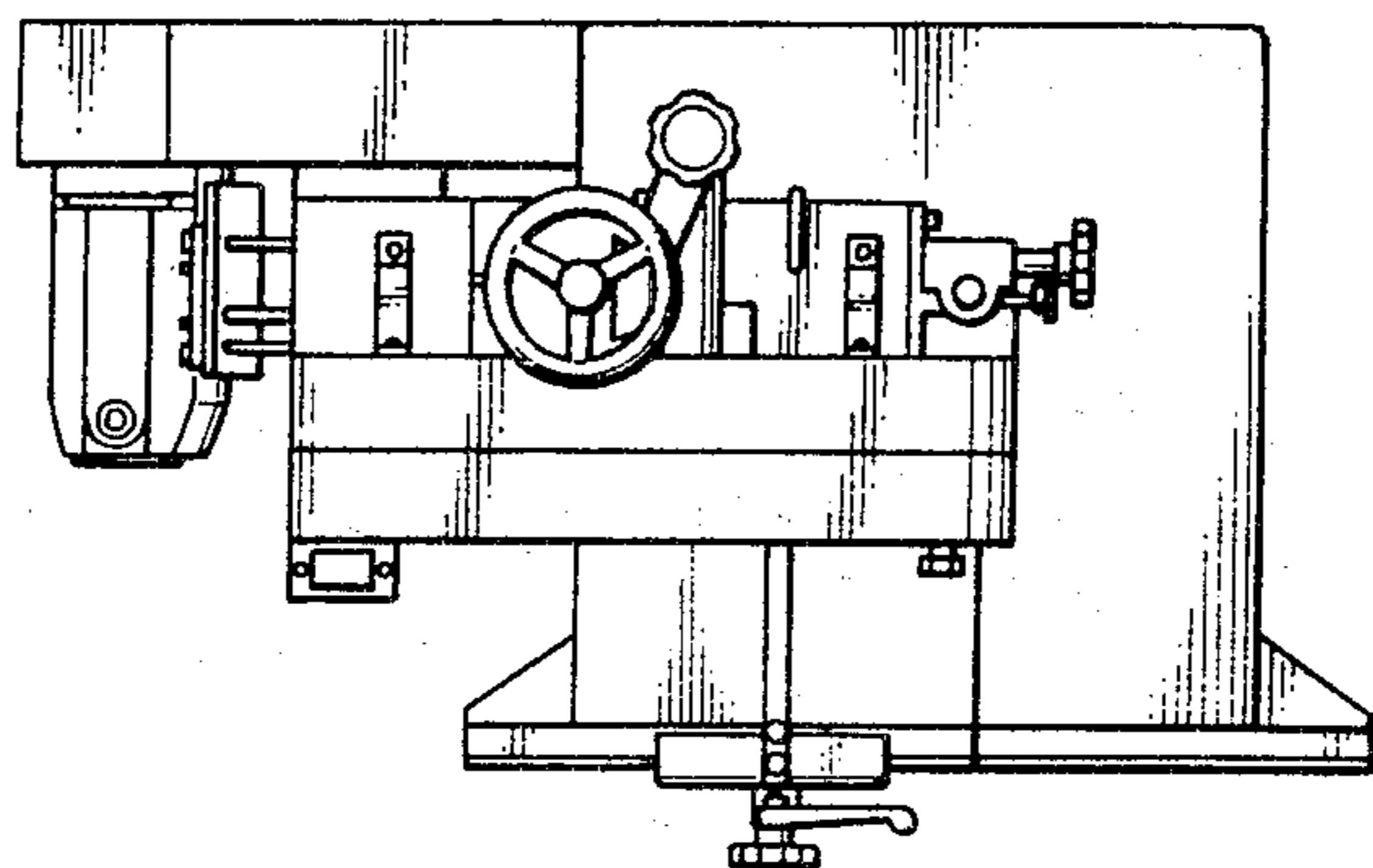


Fig.5

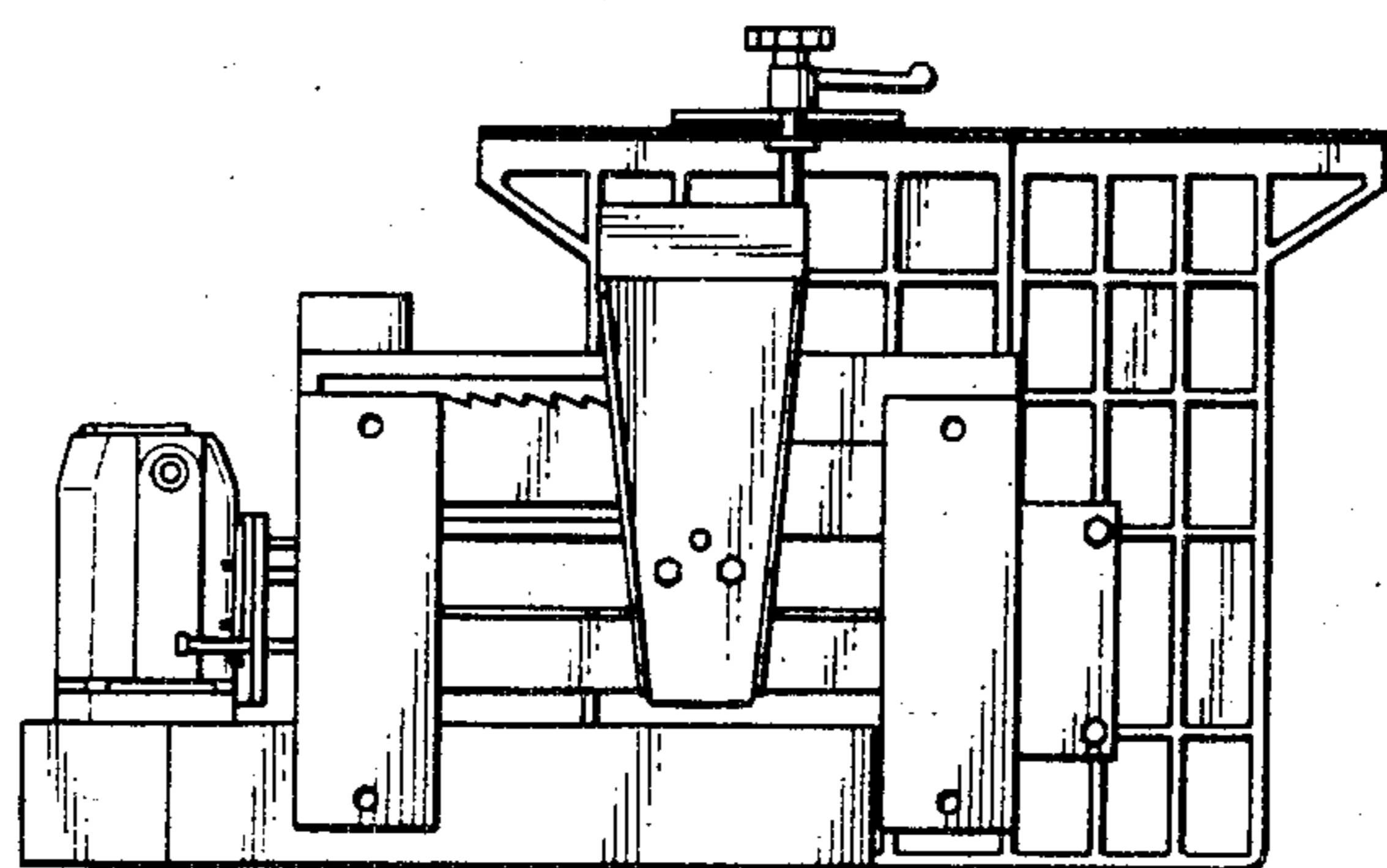


Fig. 7

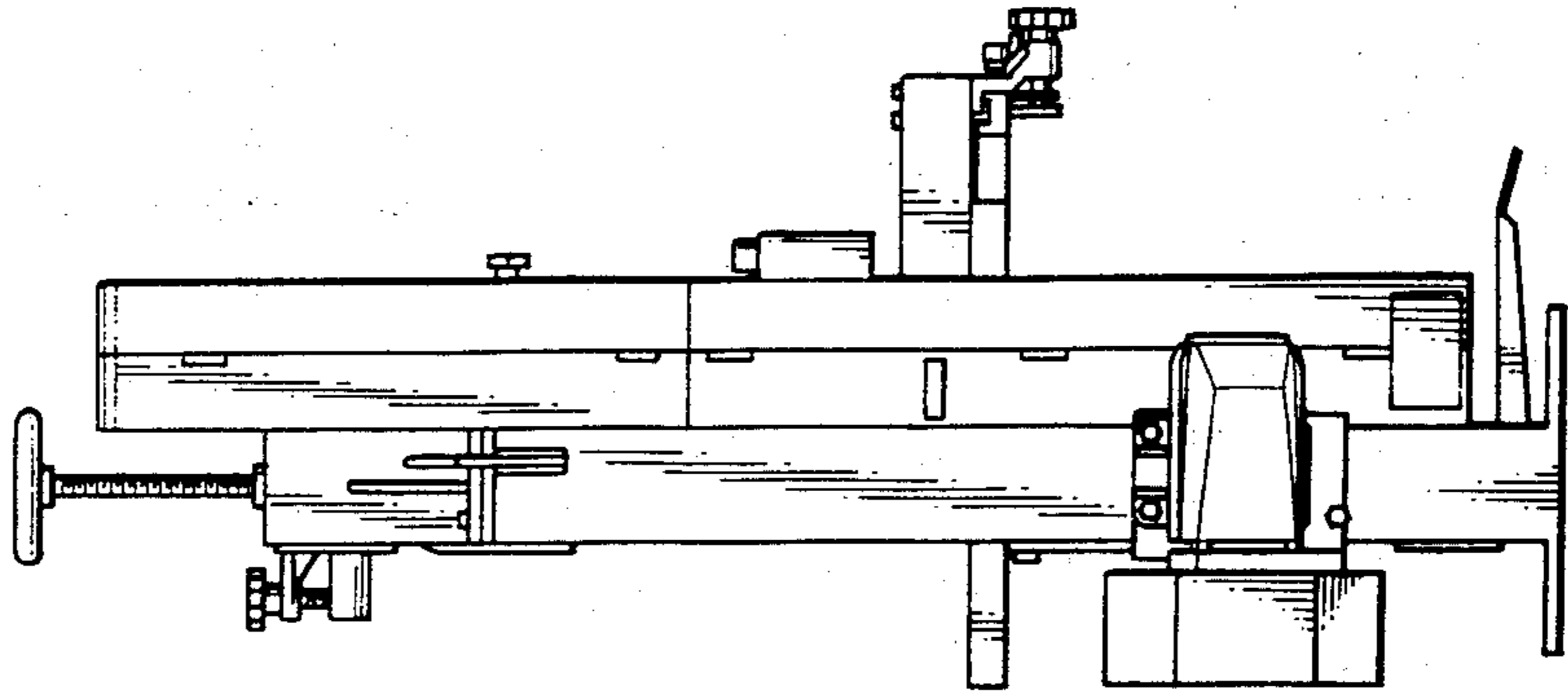


Fig. 6

