

United States Patent [19]

Beck et al.

[11] Patent Number: **Des. 286,536**

[45] Date of Patent: **** Nov. 4, 1986**

[54] **PROFILE PLANER**

[76] Inventors: **Marion L. Beck; Lonnie R. Beane;**
Billy Norris, all of P.O. Box 776,
Jamestown, N.C. 27282

[**] Term: **14 Years**

[21] Appl. No.: **645,282**

[22] Filed: **Aug. 29, 1984**

[52] U.S. Cl. **D15/127**

[58] Field of Search **D15/127; 144/114 R,**
144/117 R, 118, 119 R, 120, 116

[56] **References Cited**

U.S. PATENT DOCUMENTS

D. 121,577 7/1940 Shields **D15/127**

D. 187,715 4/1960 Deschamps et al. **D15/127**
3,724,517 4/1973 Edwards et al. **144/116**
4,102,369 7/1978 Rautzo **144/114 R**
4,271,880 6/1981 Leeper **144/114 R**
4,294,296 10/1981 Onda **144/120**
4,337,808 7/1982 Morisaki **144/120**

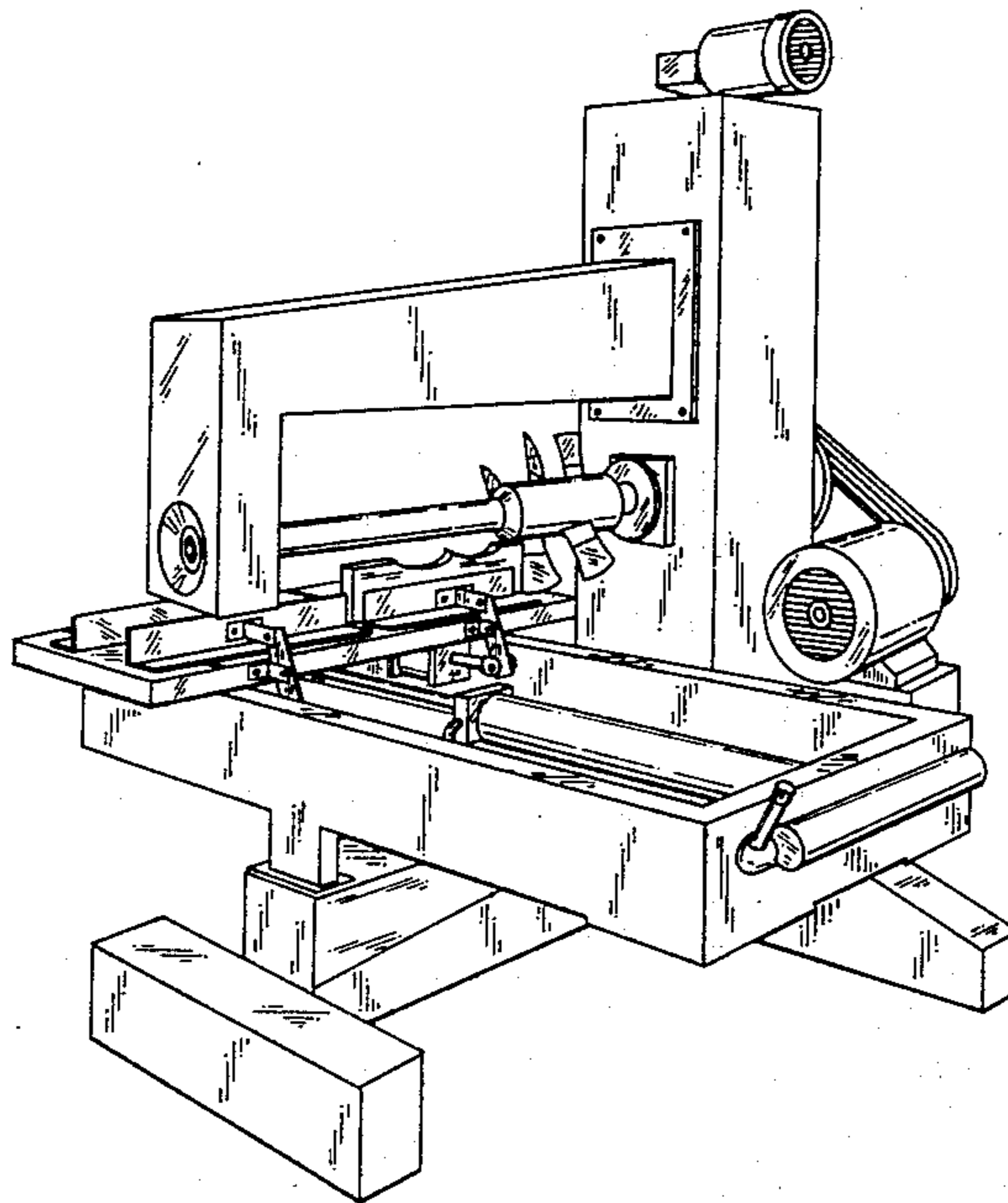
Primary Examiner—**B. J. Bullock**
Attorney, Agent, or Firm—**Mills & Coats**

[57] **CLAIM**

The ornamental design for a profile planer, as shown.

DESCRIPTION

FIG. 1 is a front, left perspective view of a profile planer embodying our new design;
FIG. 2 is a rear, right perspective view thereof;
FIG. 3 is a top plan view thereof.



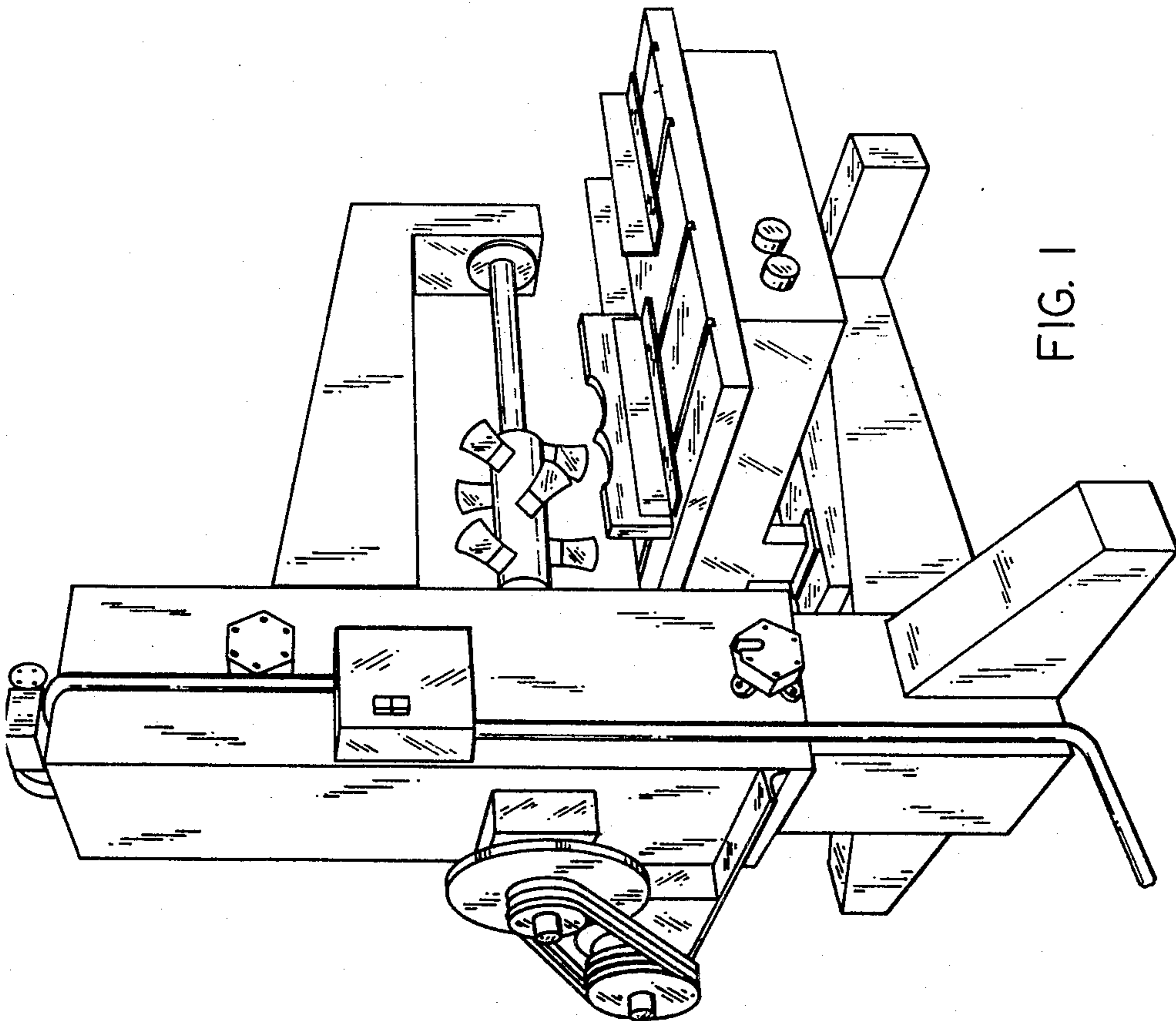


FIG. 1

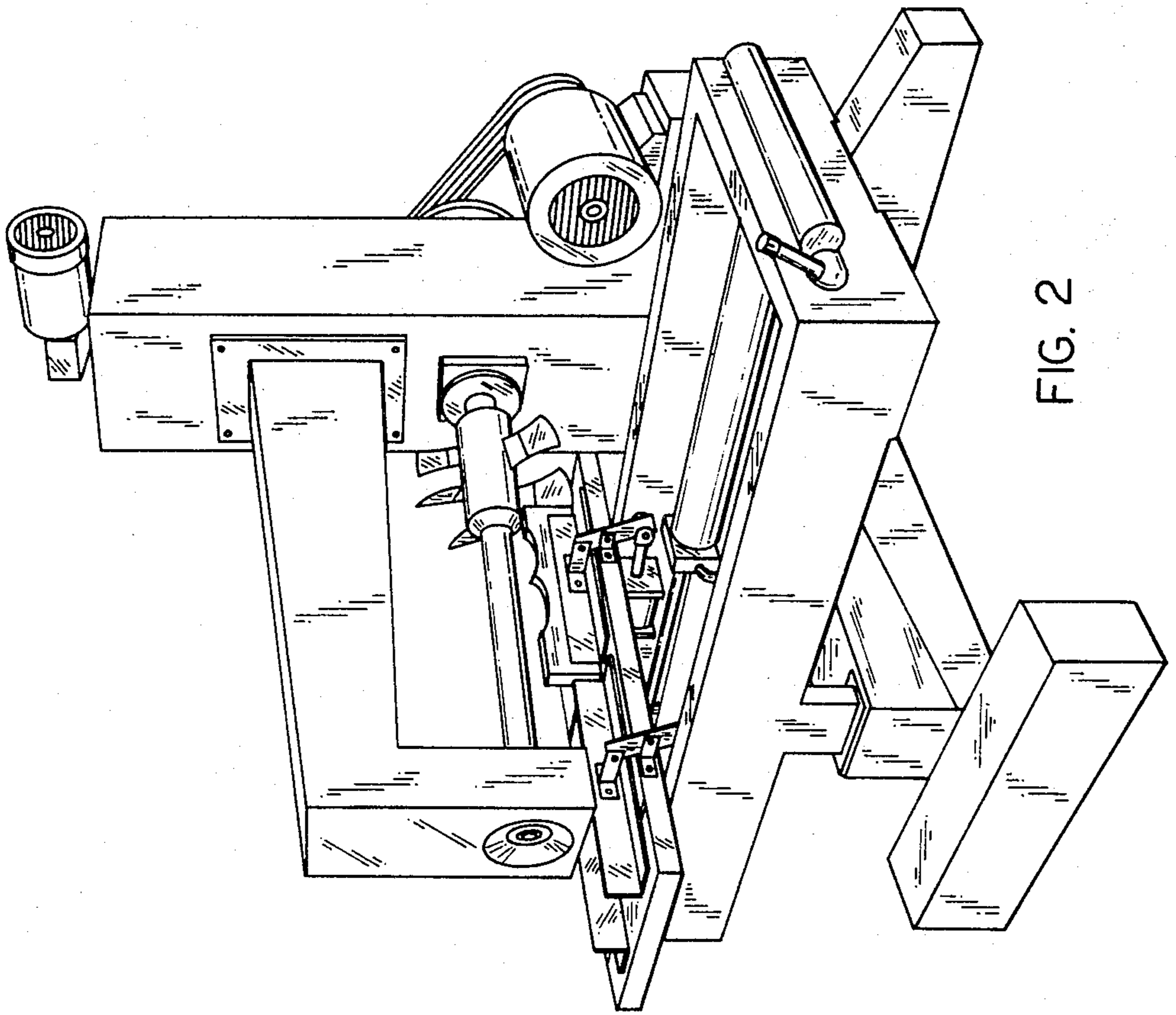


FIG. 2

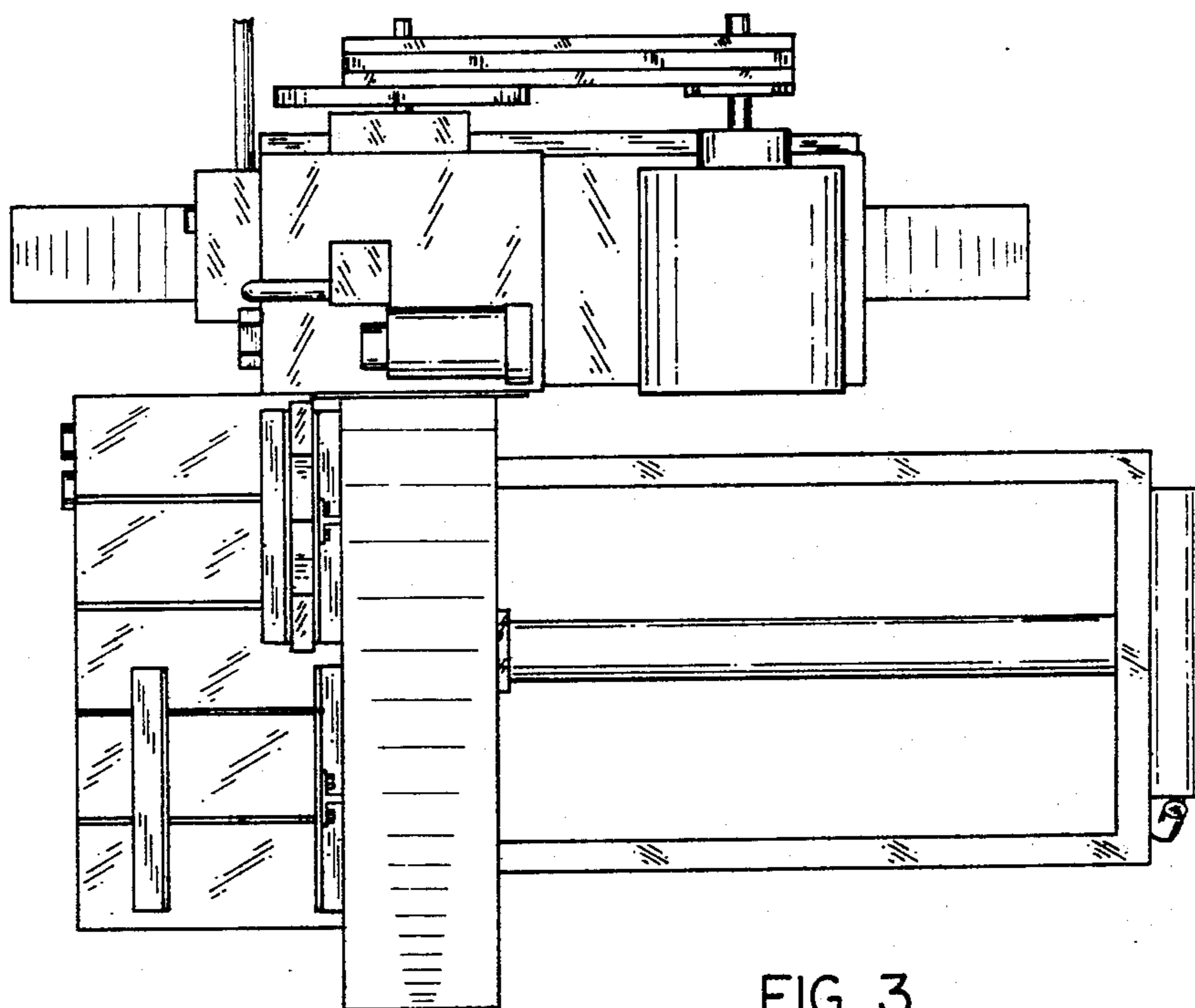


FIG. 3