

[54] SEWING MACHINE

[75] Inventor: Pietro Draghicchio, Milan, Italy

[73] Assignee: Rockwell-Rimoldi S.p.A., Italy

[\*\*] Term: 14 Years

[21] Appl. No.: 560,678

[22] Filed: Dec. 12, 1983

[30] Foreign Application Priority Data

Jun. 10, 1983 [IT] Italy ..... 22088/83[U]

[52] U.S. Cl. .... D15/69

[58] Field of Search ..... D15/68-70;  
112/63, 258-261, 155, 259

[56] References Cited

U.S. PATENT DOCUMENTS

D. 253,347 11/1979 Felix ..... D15/70

793,006	6/1905	Miller	.....	112/155 X
2,249,423	7/1941	Galkin	.....	112/155
3,048,135	8/1962	Heimann	.....	112/155
3,068,816	12/1962	McBean et al.	.....	112/155 X
3,468,273	9/1969	Lester	.....	112/155 X

Primary Examiner—Bernard Ansher  
Assistant Examiner—Linda Titolo

[57] CLAIM

The ornamental design for a sewing machine, as shown.

DESCRIPTION

FIG. 1 is a top front right side perspective view of a sewing machine, showing my new design; FIG. 2 is a front elevational view thereof; FIG. 3 is a right side elevational view thereof; FIG. 4 is a left side elevational view thereof; FIG. 5 is a rear elevational view thereof; FIG. 6 is a top plan view thereof; and FIG. 7 is a bottom plan view thereof.

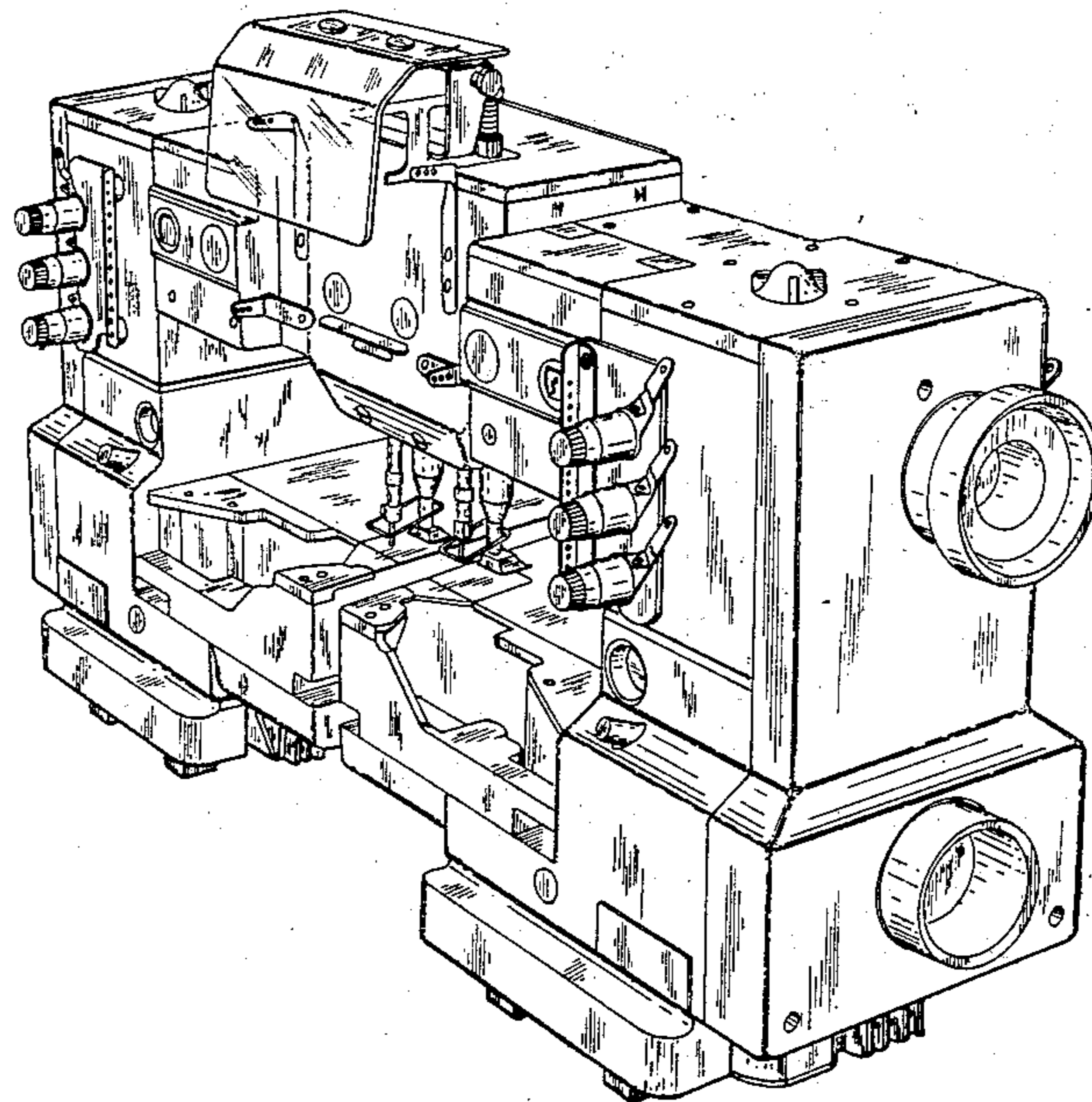
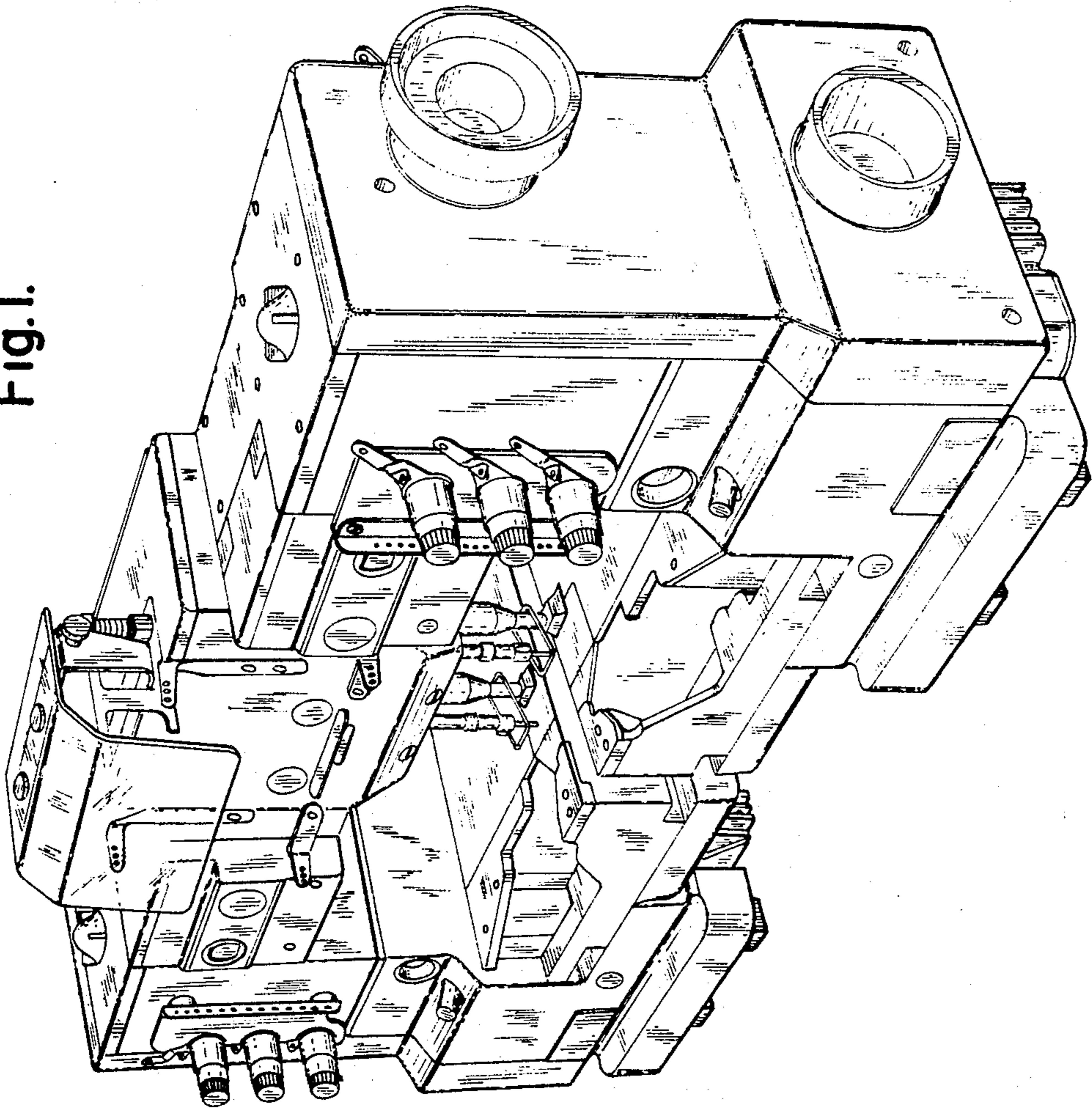


Fig. 1.



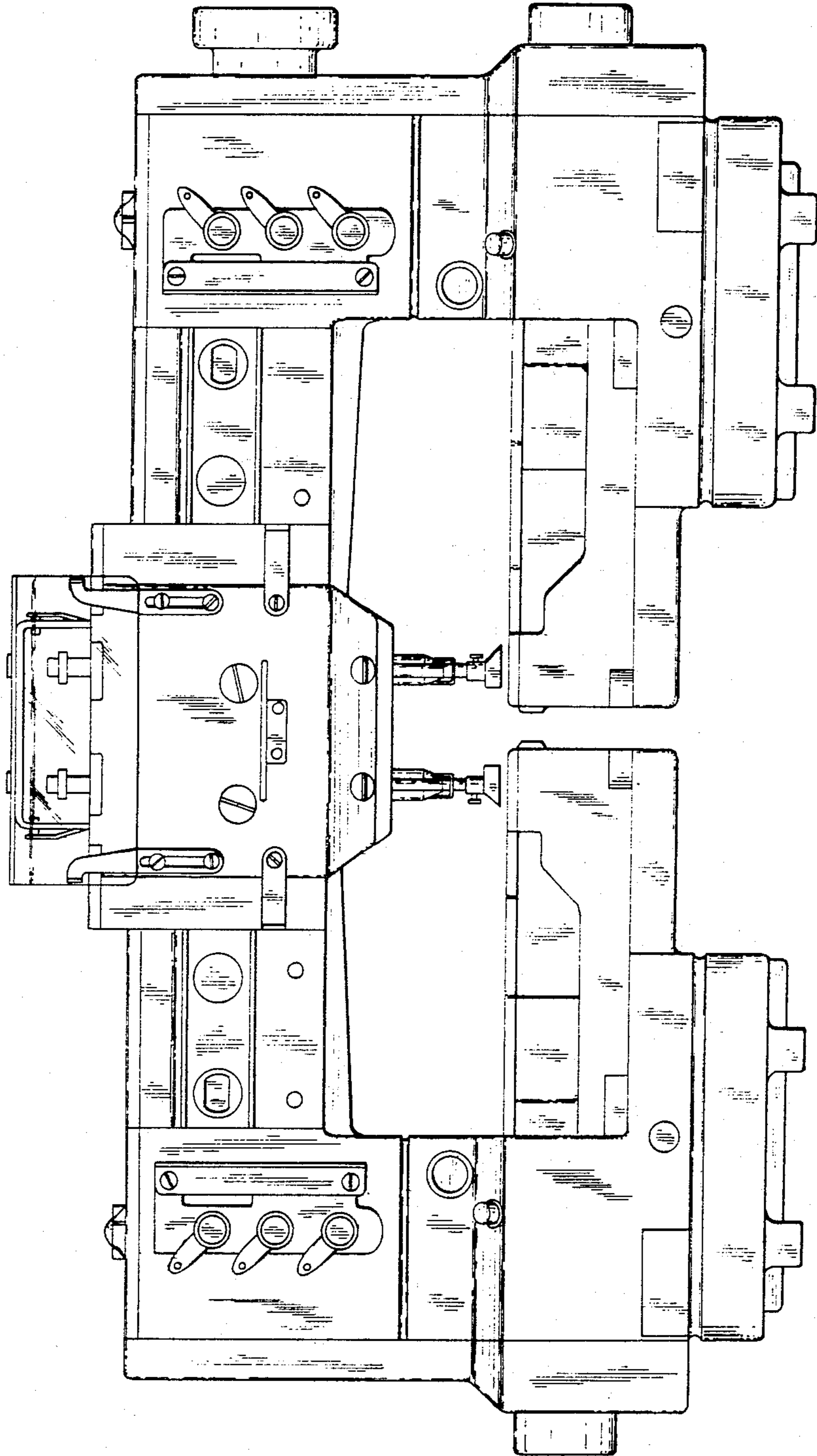


Fig. 2.



Fig. 3.

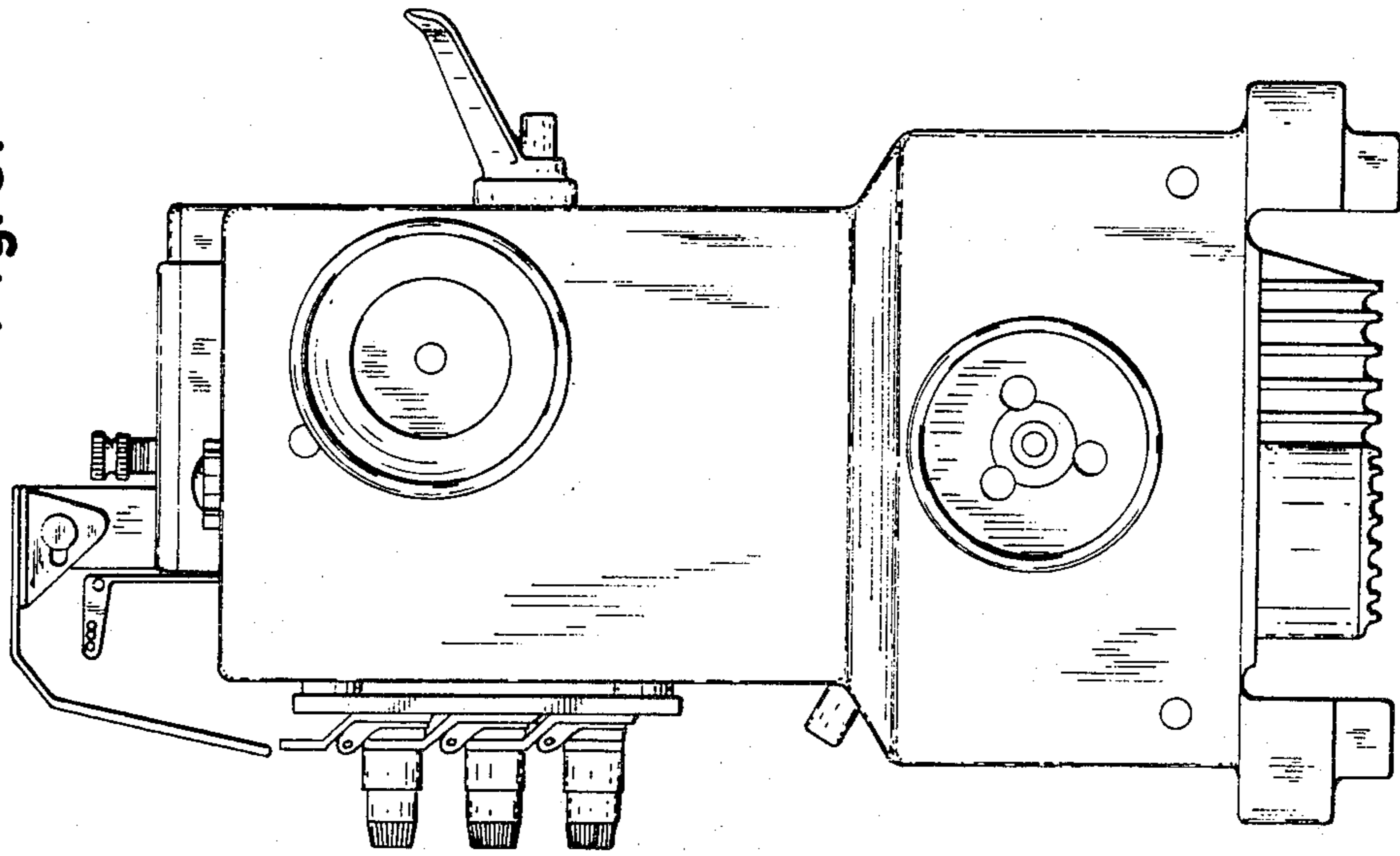
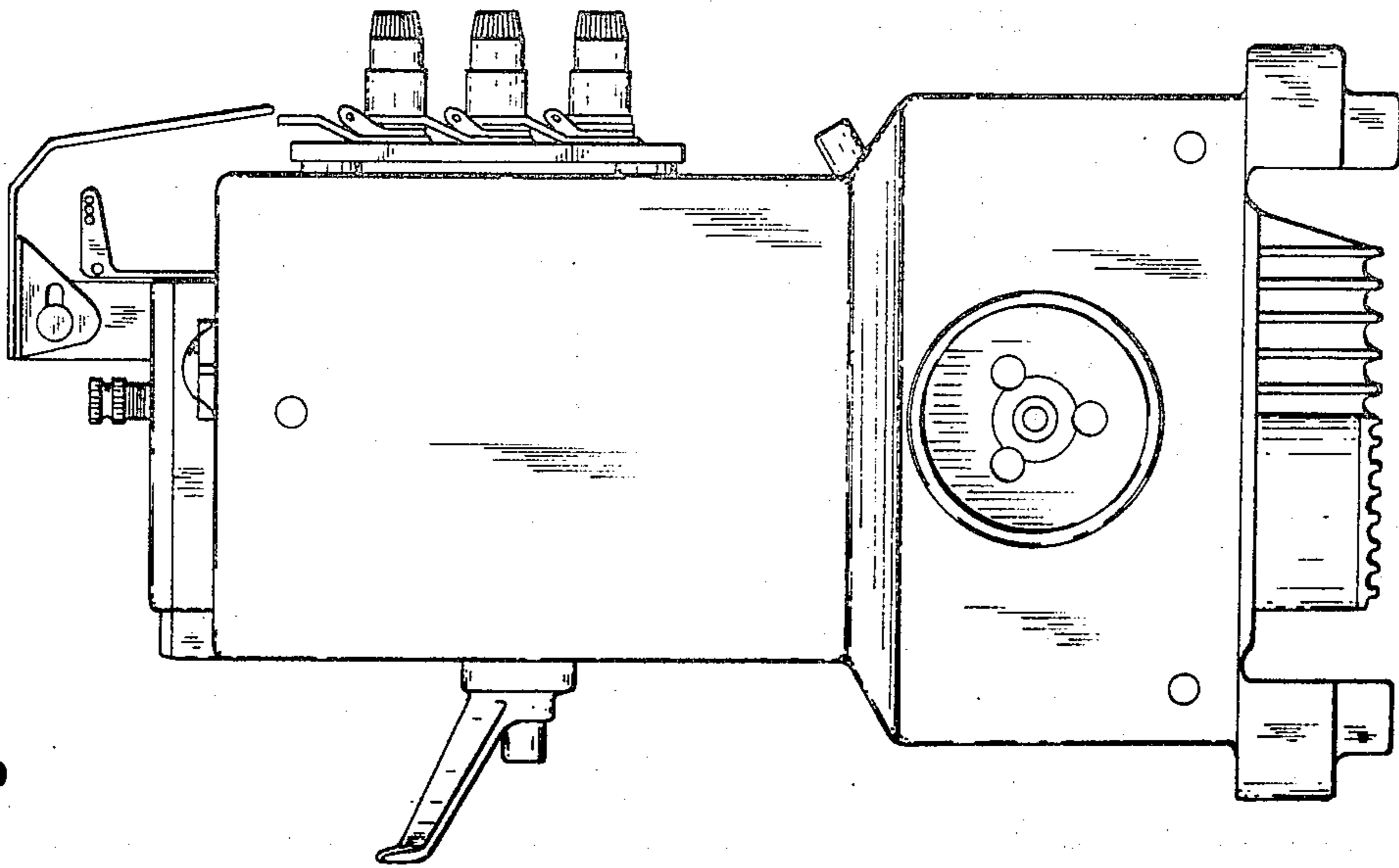


Fig. 4.



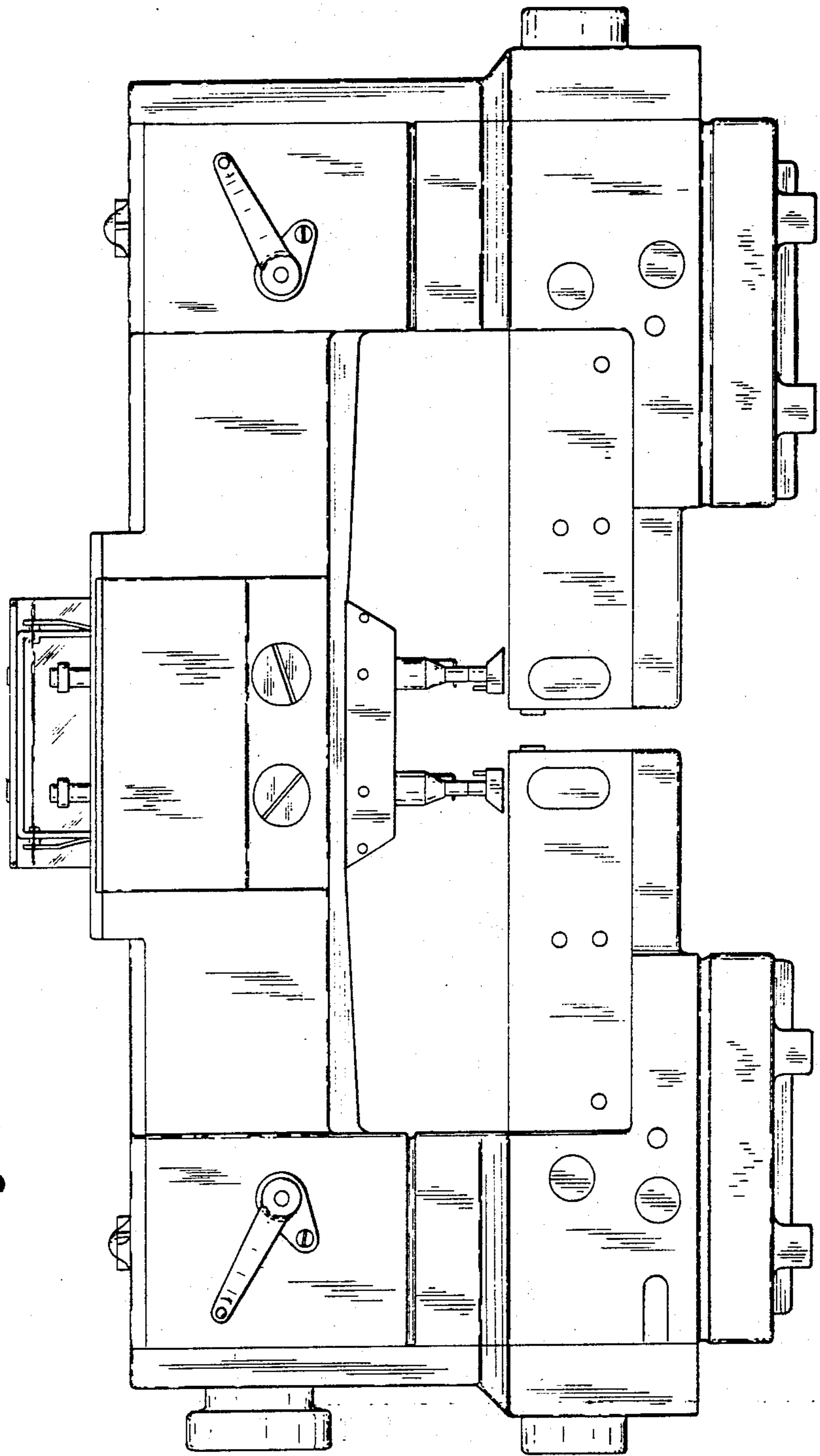


Fig. 5.

Fig. 6.

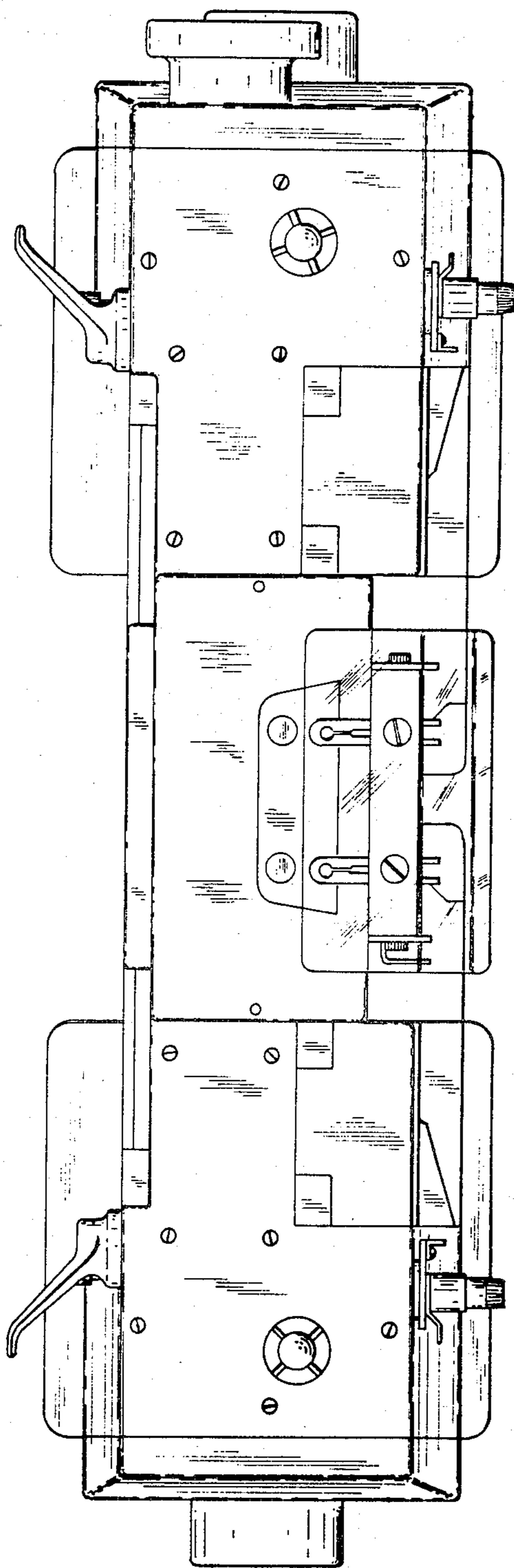


Fig. 7.

