

[54] MOTORCYCLE

[75] Inventors: Shoichi Kuwahata, Saitama; Norio Tanaka, Tokyo, both of Japan

[73] Assignee: Honda Giken Kogyo Kabushiki Kaisha, Tokyo, Japan

[**] Term: 14 Years

[21] Appl. No.: 633,392

[22] Filed: Jul. 23, 1984

[52] U.S. Cl. D12/110

[58] Field of Search D12/110; 180/219, 231

[56] References Cited

U.S. PATENT DOCUMENTS

D. 274,231 6/1984 Kawashima et al. D12/110

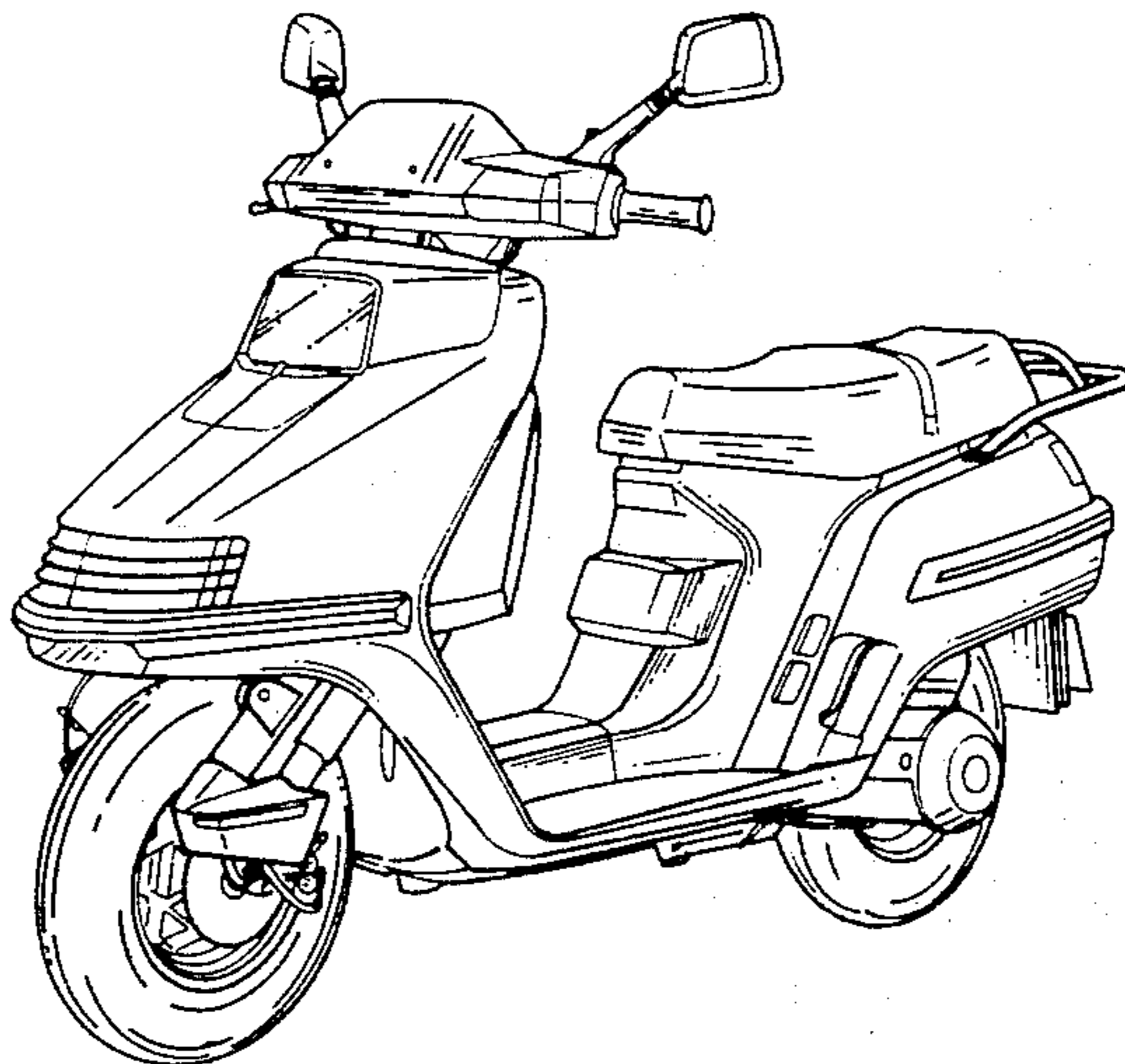
Primary Examiner—James M. Gandy
Attorney, Agent, or Firm—Lyon & Lyon

[57] CLAIM

The ornamental design for a motorcycle, as shown and described.

DESCRIPTION

FIG. 1 is a top perspective view of a motorcycle showing our new design;
FIG. 2 is a bottom perspective view thereof;
FIG. 3 is a front perspective view thereof;
FIG. 4 is a side elevation view of the right side thereof;
FIG. 5 is a side elevation view of the left side thereof;
FIG. 6 is a back perspective view thereof;
FIG. 7 is an oblique view principally illustrating the left side thereof.



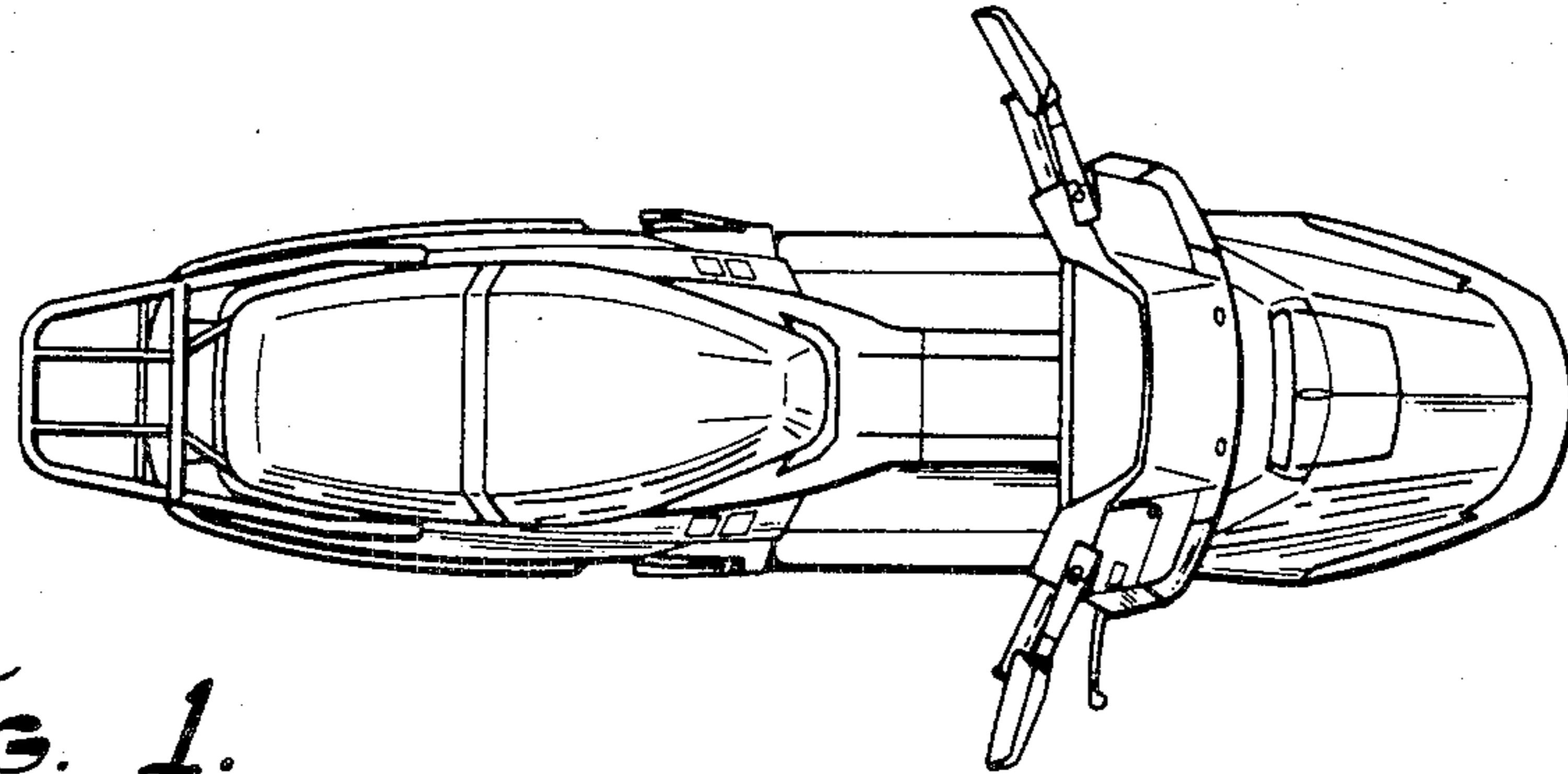


FIG. 1.

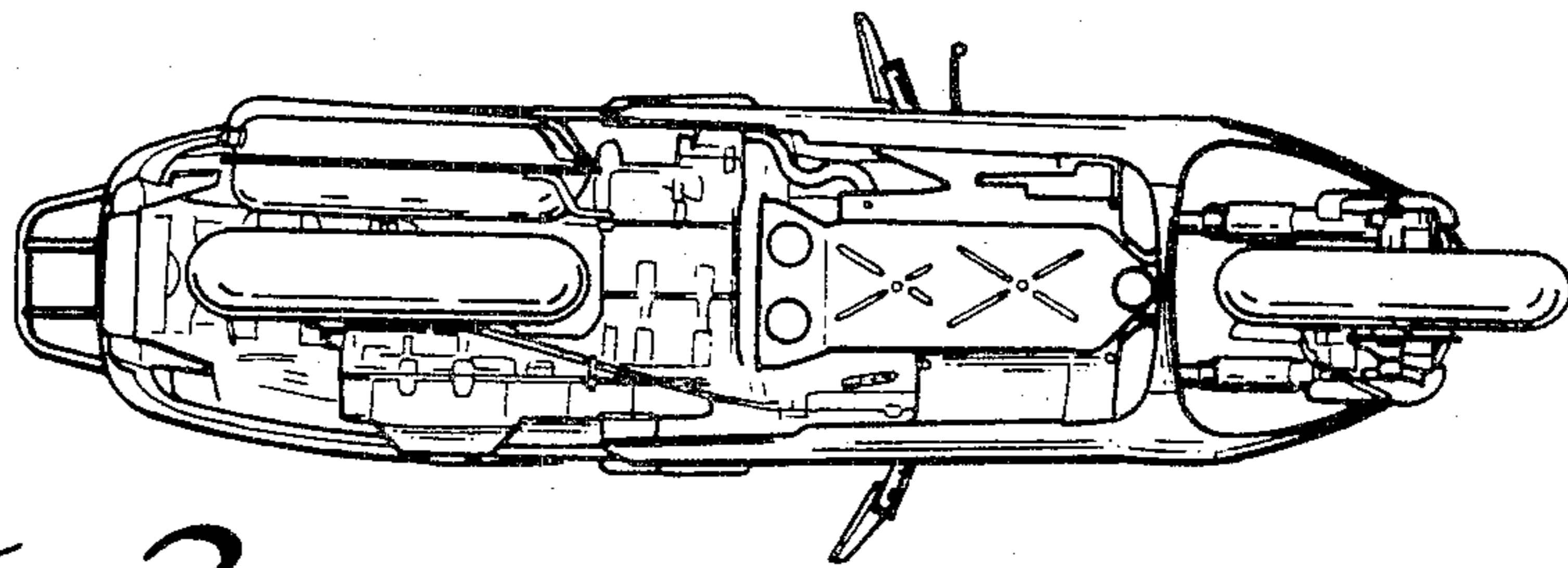


FIG. 2.

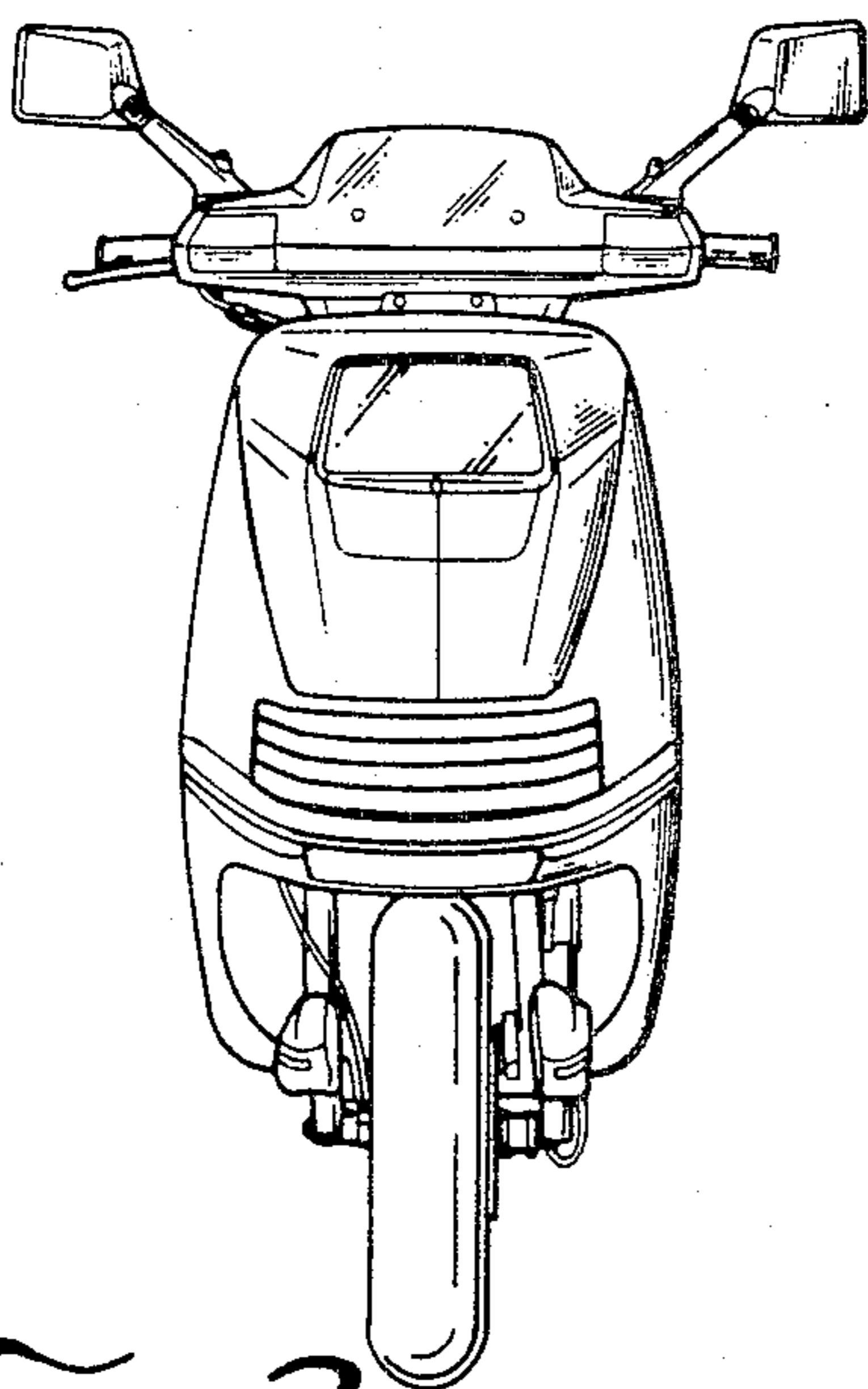


FIG. 3.

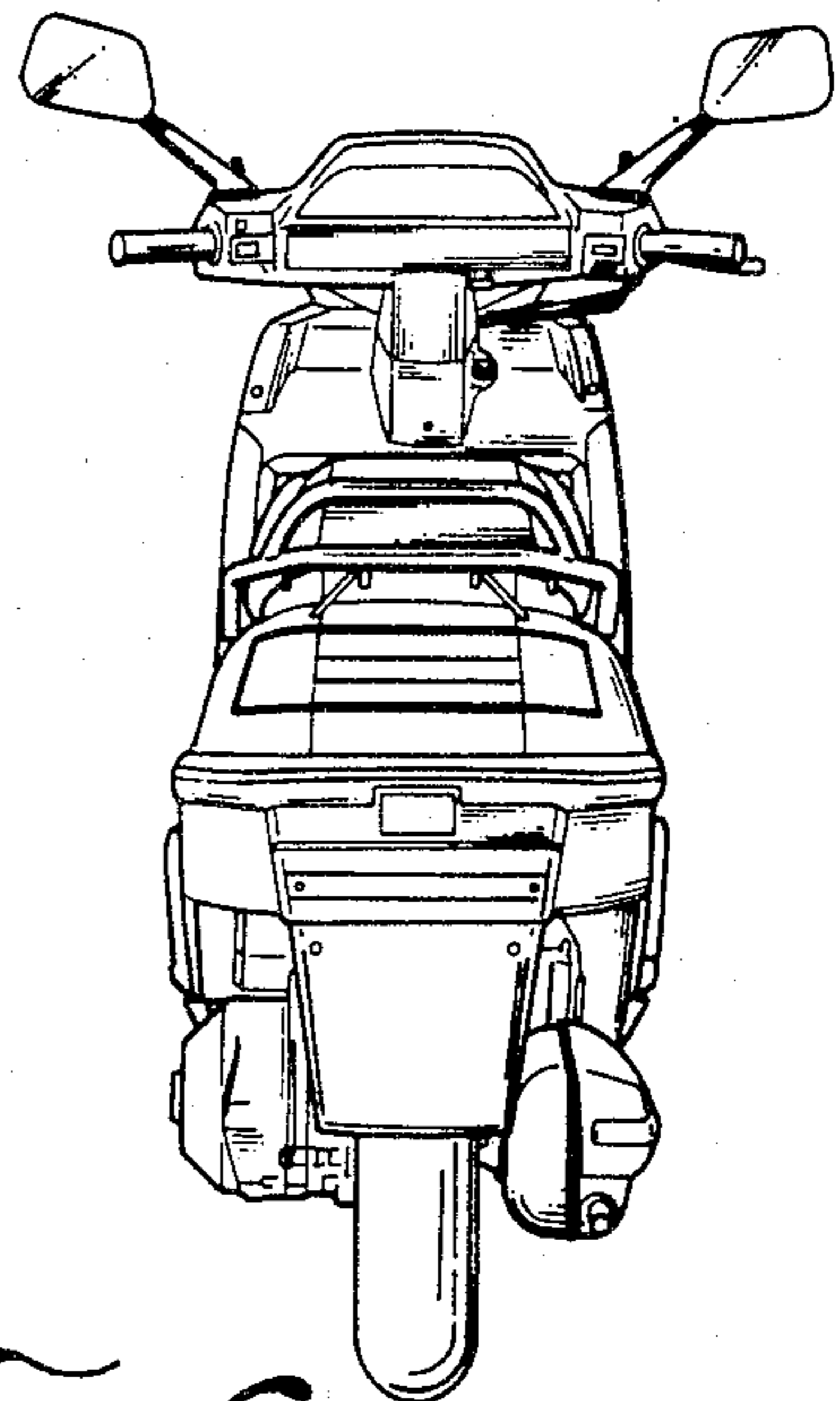


FIG. 6.

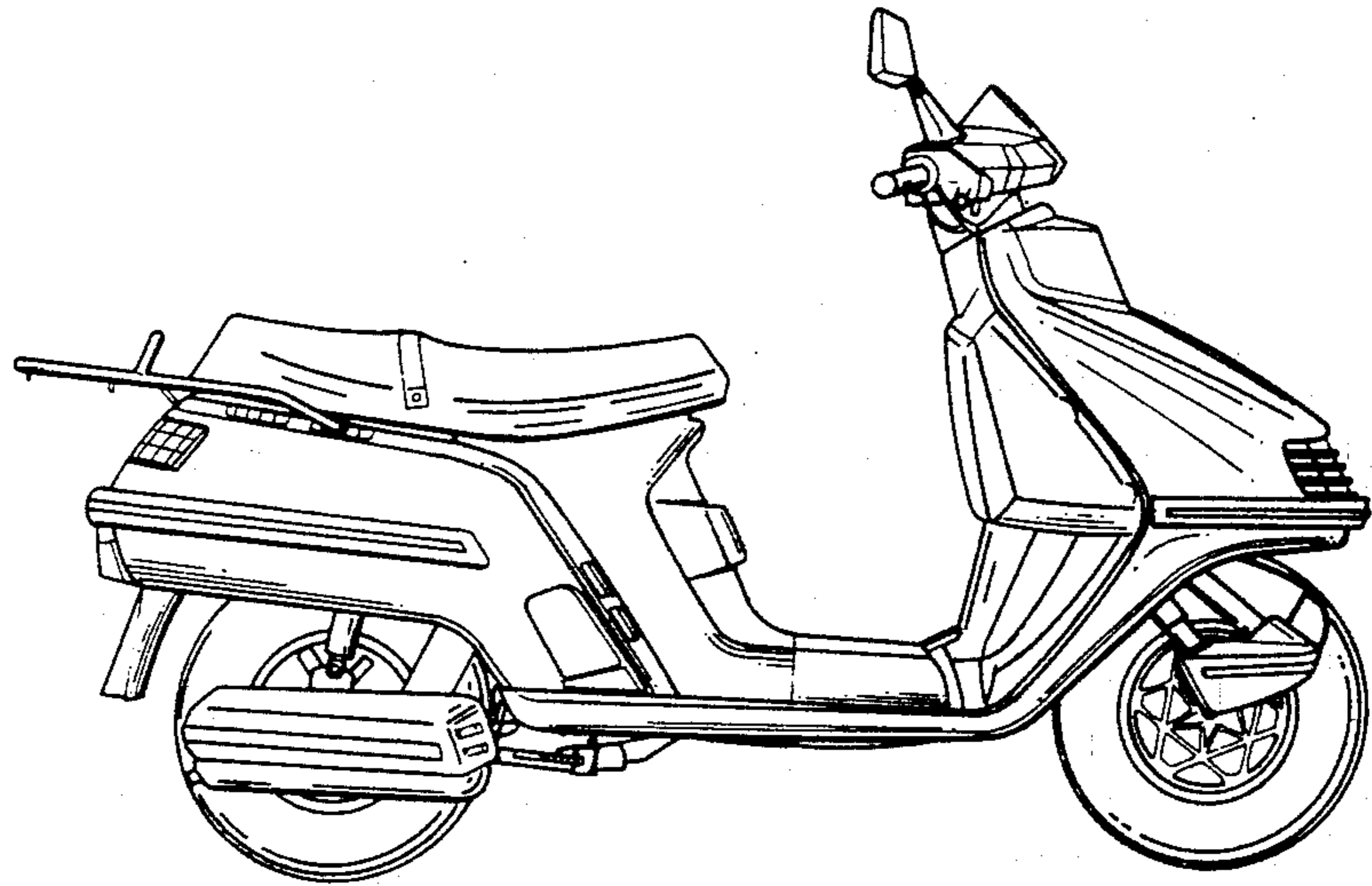


FIG. 4.

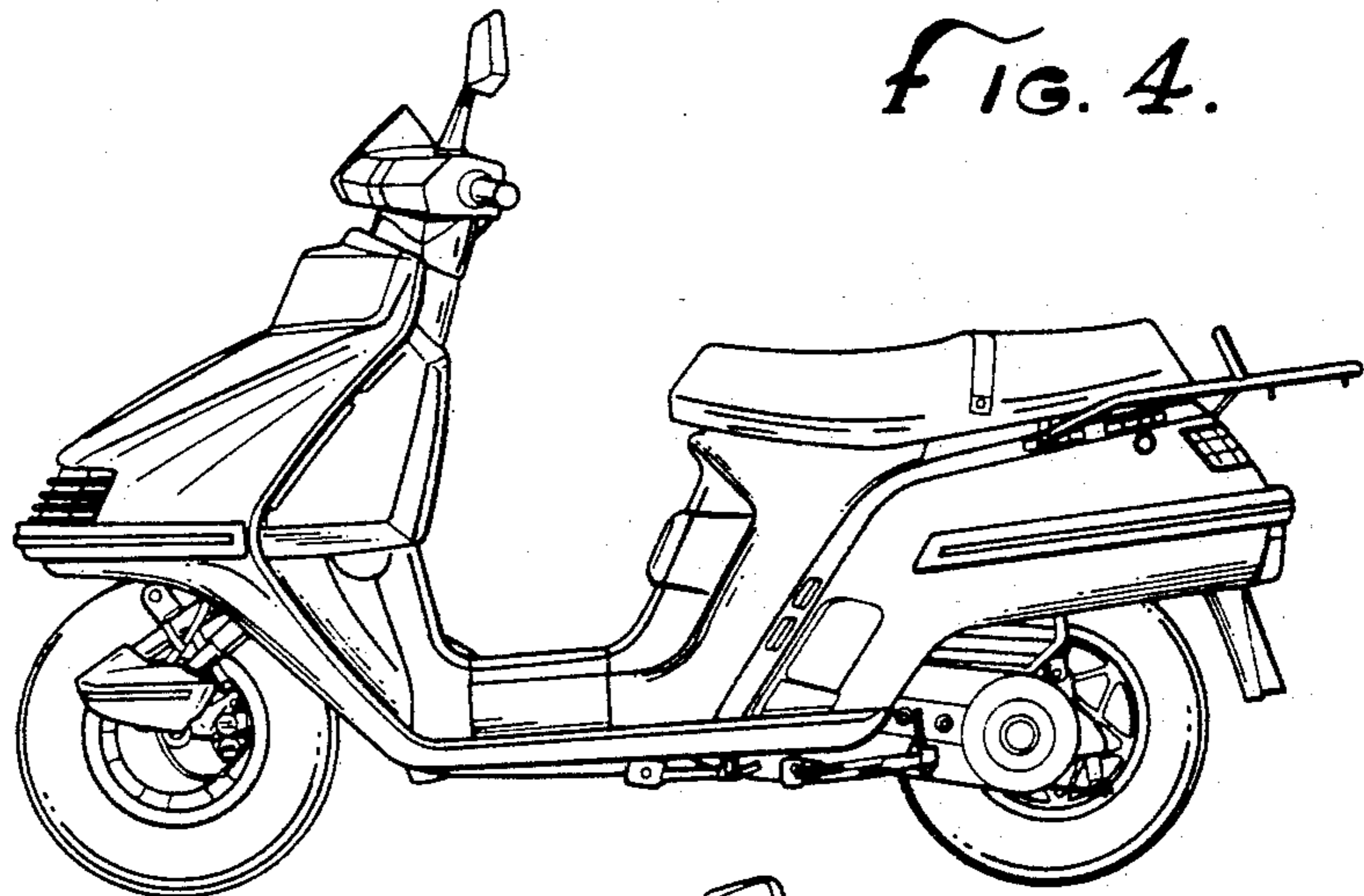


FIG. 5.

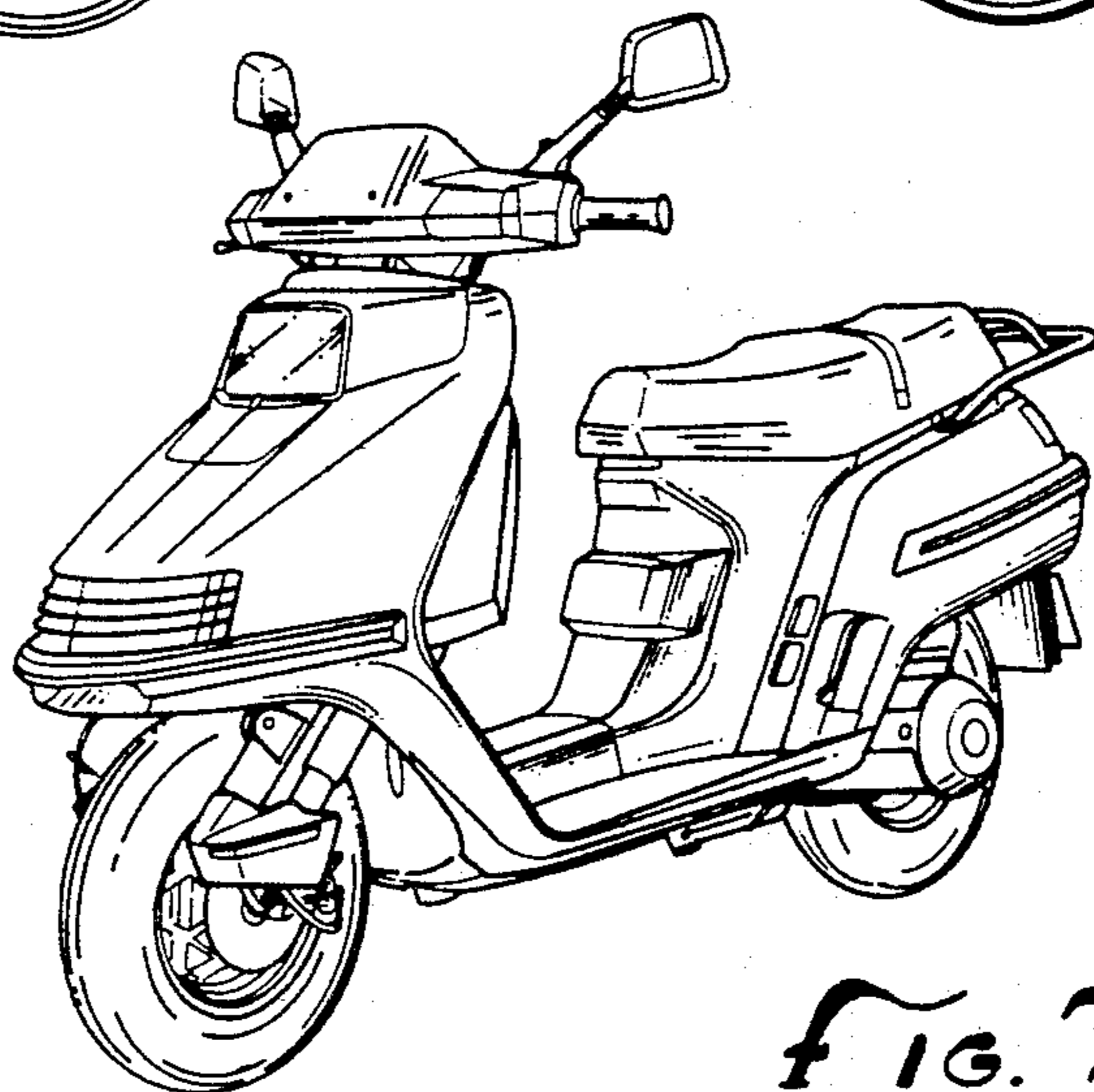


FIG. 7.