

[54] THERMAL DETECTOR

[75] Inventor: Kim J. Spang, Aurora, Ill.

[73] Assignee: Pittway Corporation, Aurora, Ill.

[**] Term: 14 Years

[21] Appl. No.: 535,592

[22] Filed: Sep. 26, 1983

[52] U.S. Cl. D10/106

[58] Field of Search D10/104, 106, 121;
340/628-631, 693, 584, 587-589, 593, 599

[56] References Cited

U.S. PATENT DOCUMENTS

D. 246,958	1/1978	Rackocy et al.	D10/106
D. 254,188	2/1980	Odam	D10/106
D. 258,943	4/1981	Ng	D10/106
D. 262,952	2/1982	Hanig	D10/106
D. 275,187	8/1984	Skarman	D10/106

Primary Examiner—Wallace R. Burke
Assistant Examiner—Suzanne N. Gitlin
Attorney, Agent, or Firm—Emrich & Dithmar

[57] CLAIM

The ornamental design for a thermal detector, as shown and described.

DESCRIPTION

FIG. 1 is a top plan of a thermal detector showing my new design;
 FIG. 2 is a side elevational view taken from the bottom of FIG. 1;
 FIG. 3 is a side elevational view taken from the right of FIG. 1;
 FIG. 4 is a side elevational view taken from the left of FIG. 1;
 FIG. 5 is a bottom plan view thereof;
 FIG. 6 is an enlarged sectional view taken in the direction of the arrows along line 6—6 of FIG. 1;
 FIG. 7 is a top plan view of a second embodiment of FIG. 1, the only difference being the omission of the circular ribs seen in the center of FIG. 1;
 FIG. 8 is an enlarged sectional view taken in the direction of the arrows along line 8—8 in FIG. 7;
 FIG. 9 is a top plan view of a third embodiment of FIG. 1, the only difference being the addition of cross ribs underneath the existing circular ribs seen in the center of FIG. 1;
 FIG. 10 is an enlarged sectional view taken in the direction of the arrows along line 10—10 in FIG. 9.

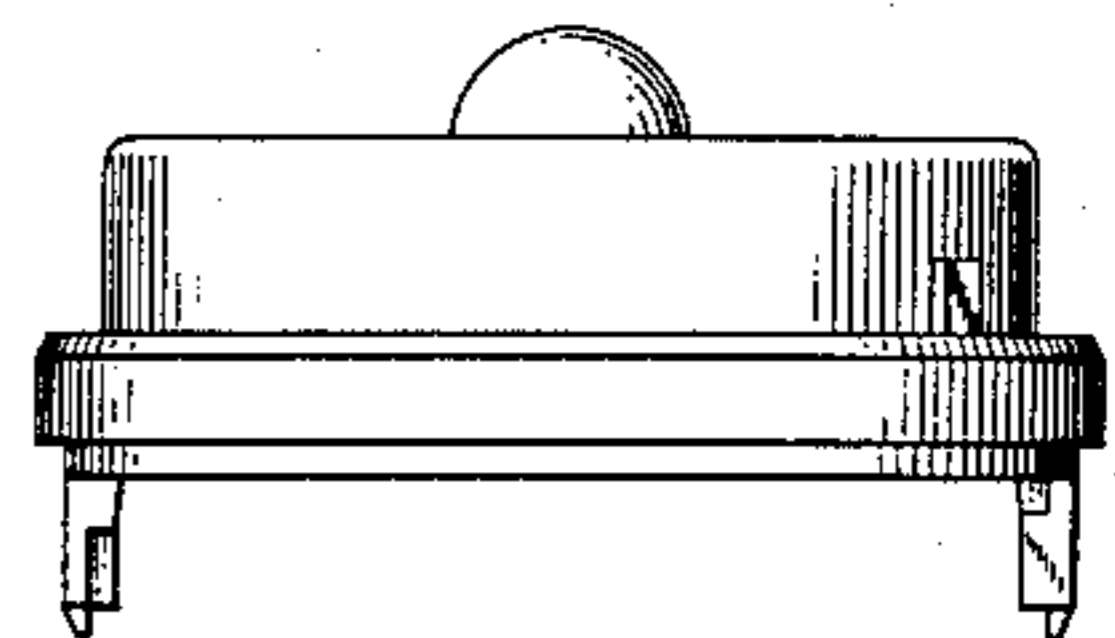
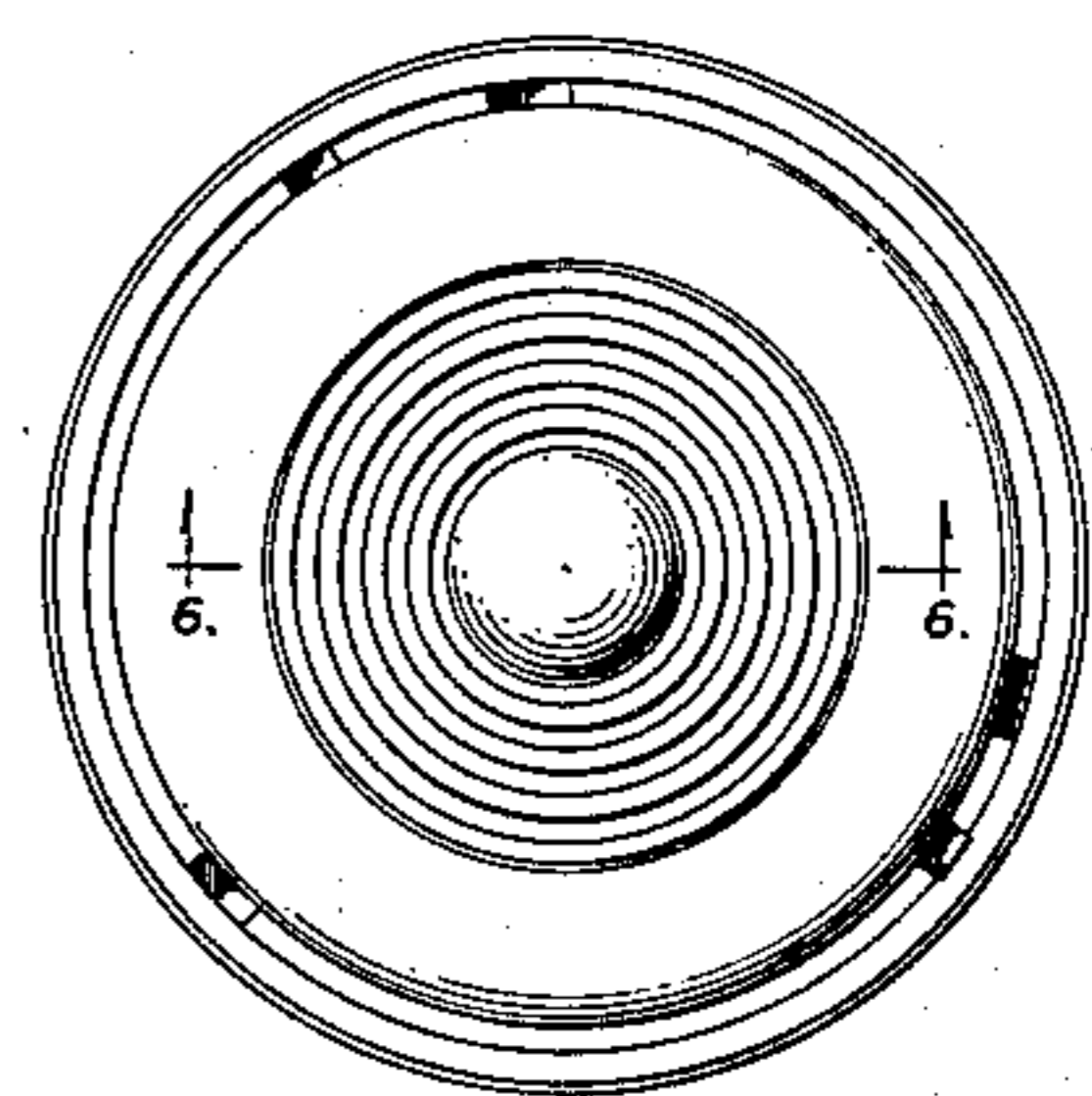
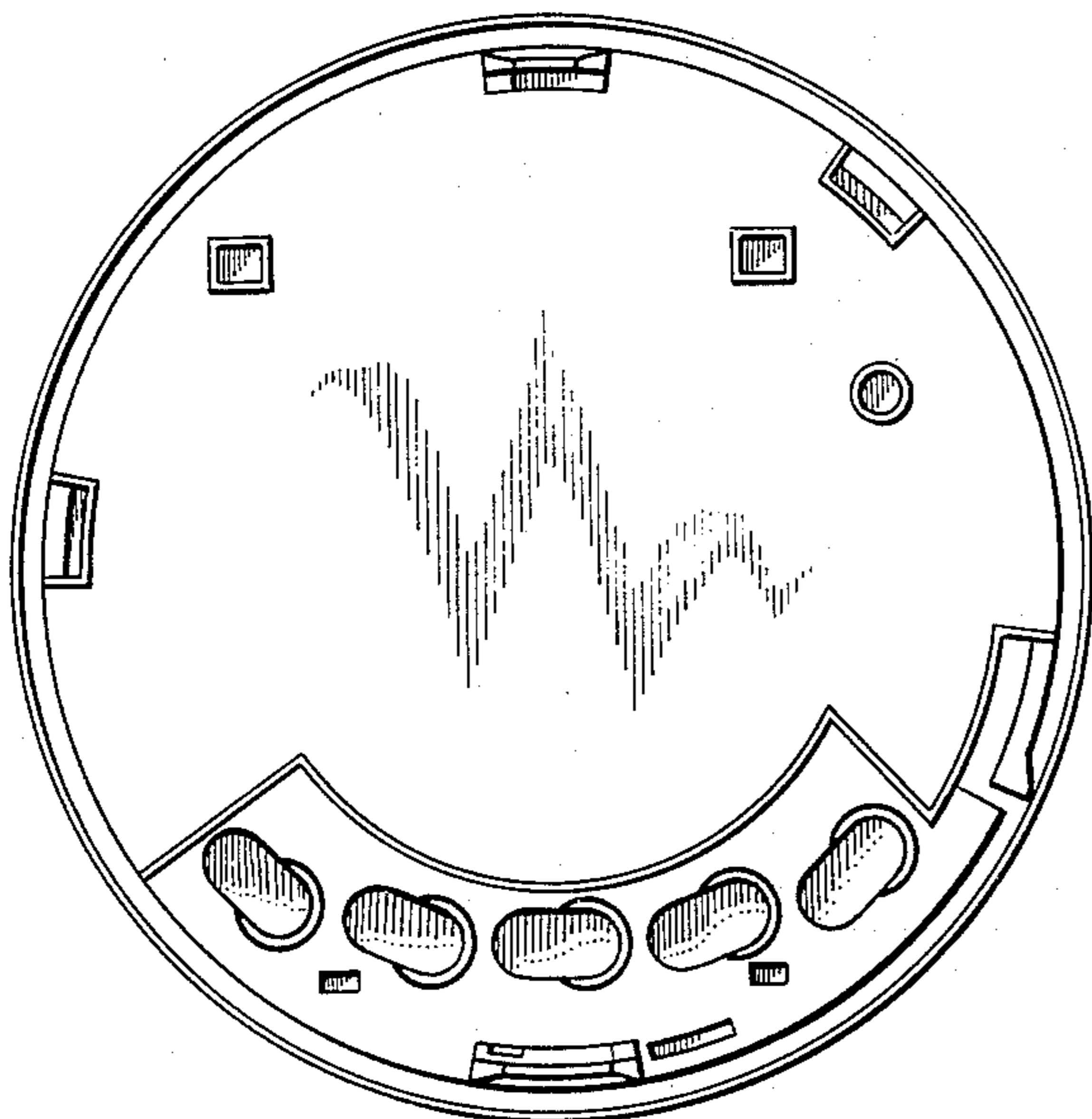


FIG. 1

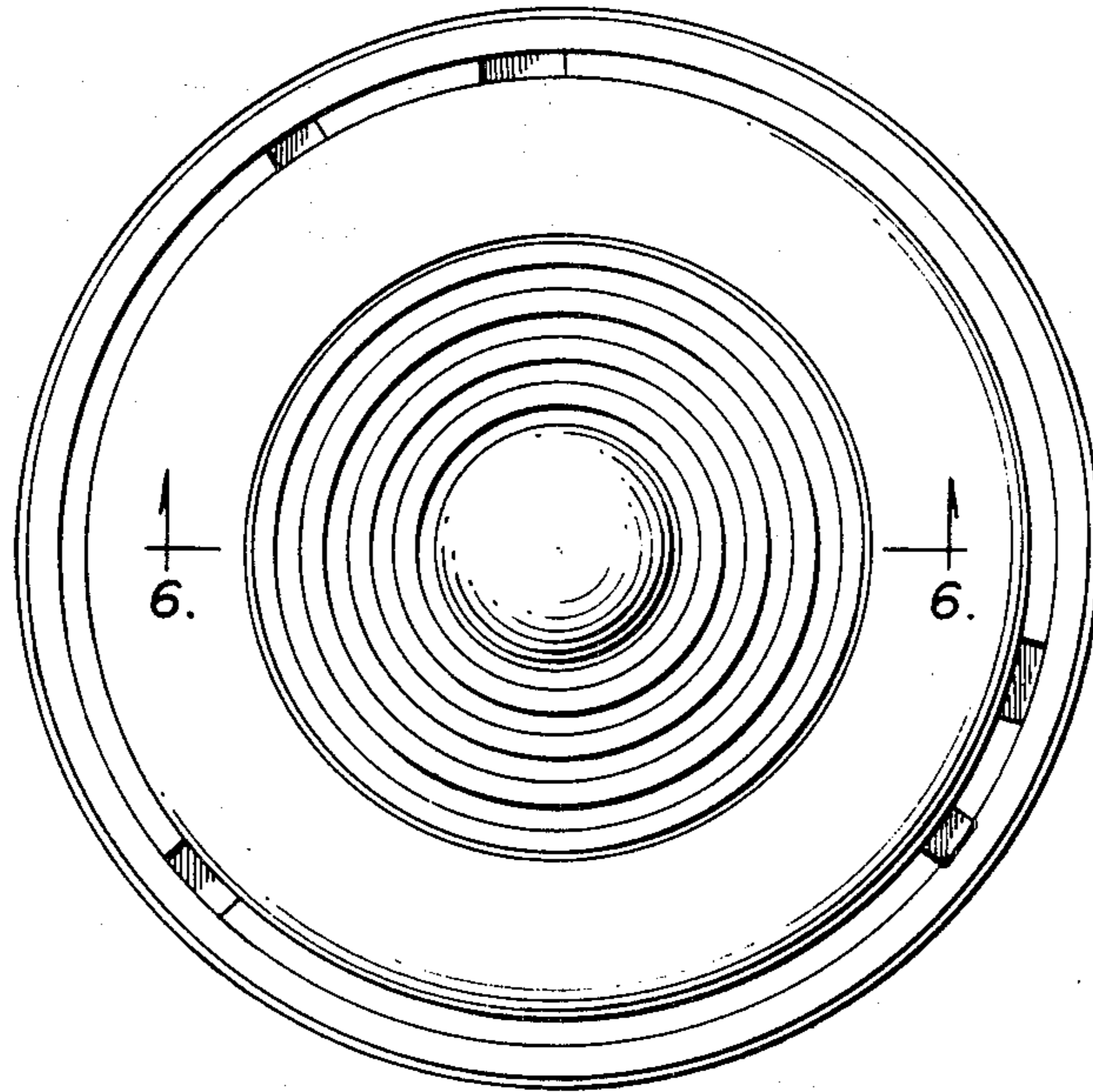


FIG. 2

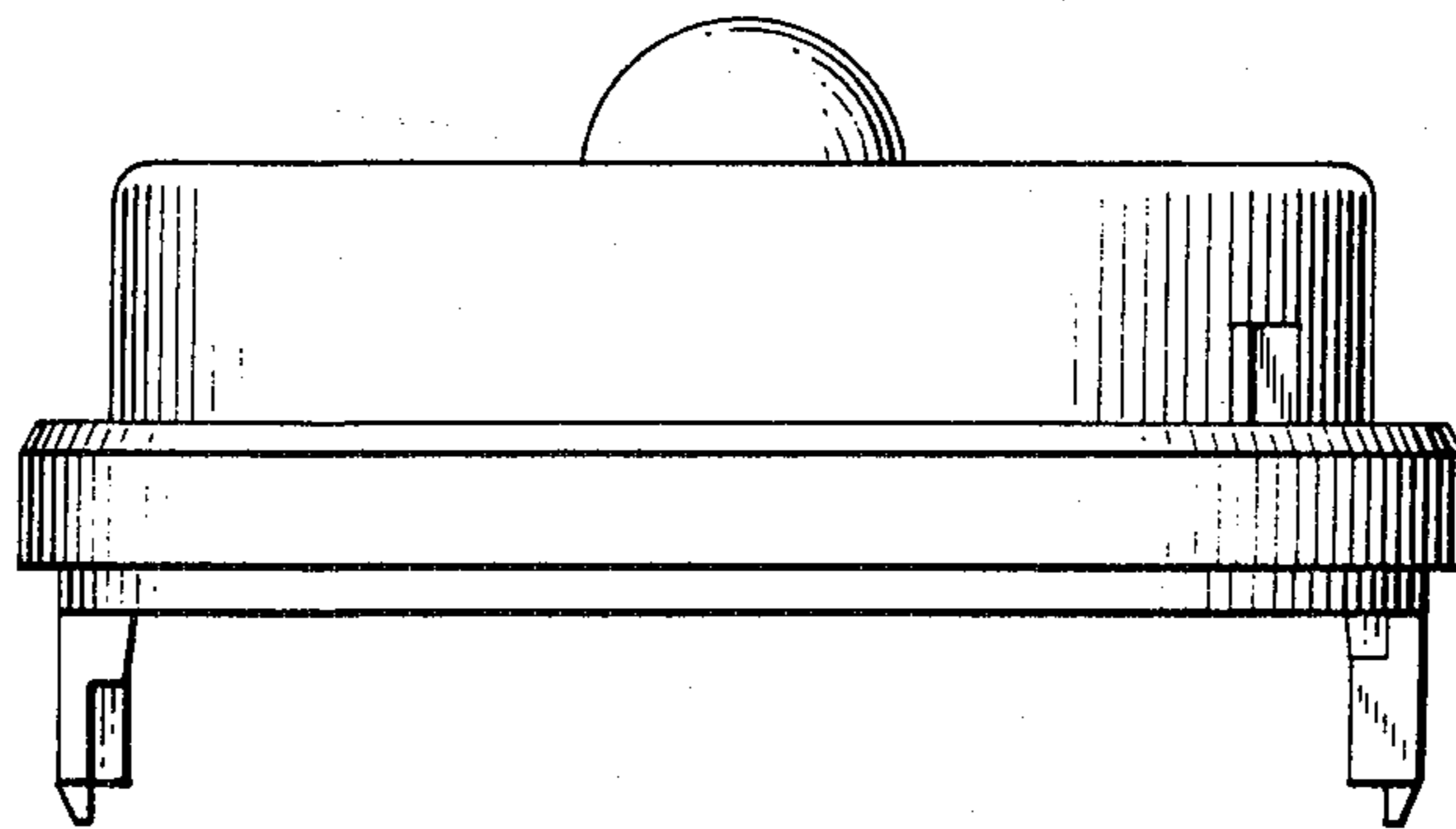


FIG. 3

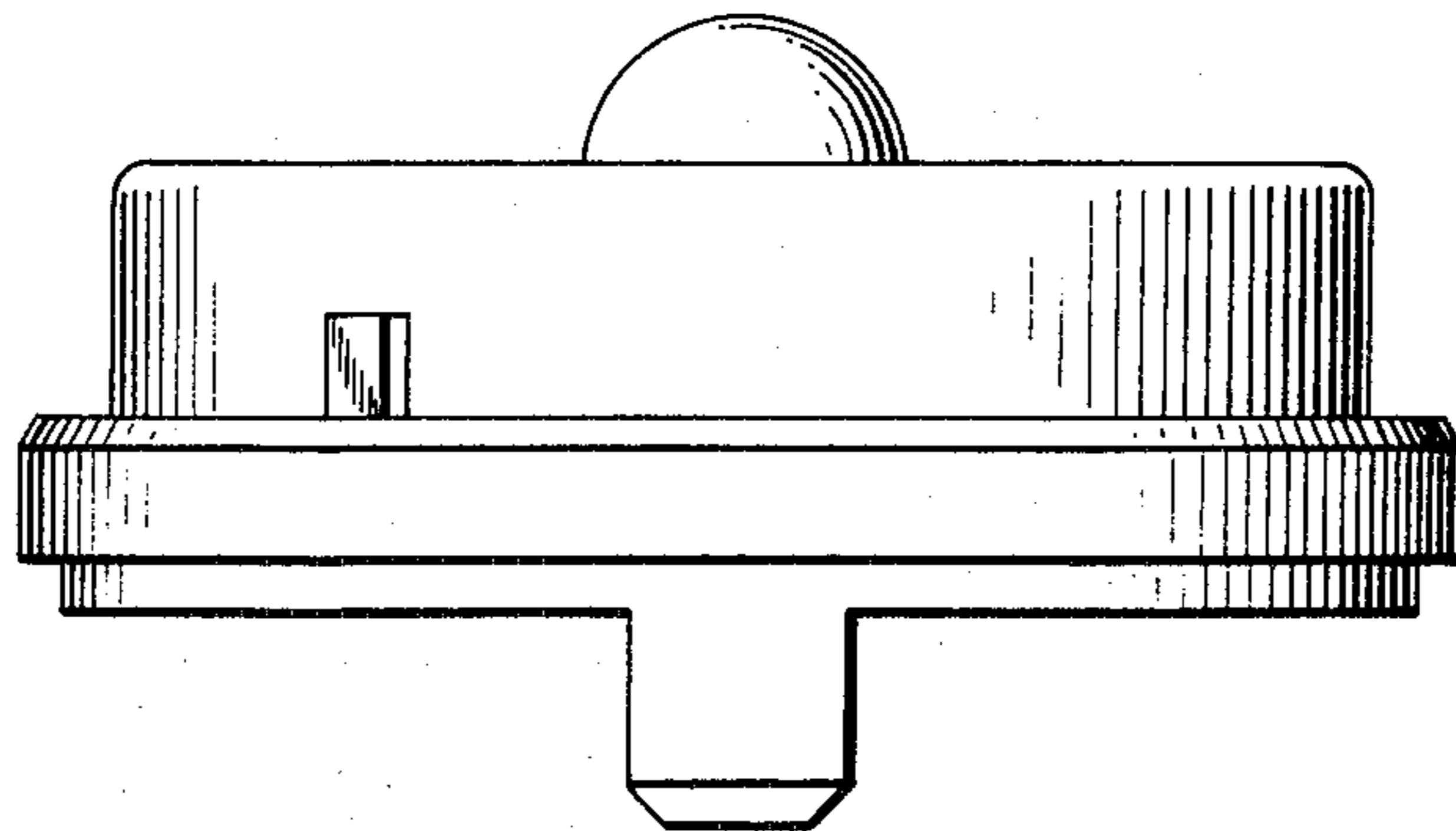


FIG. 4

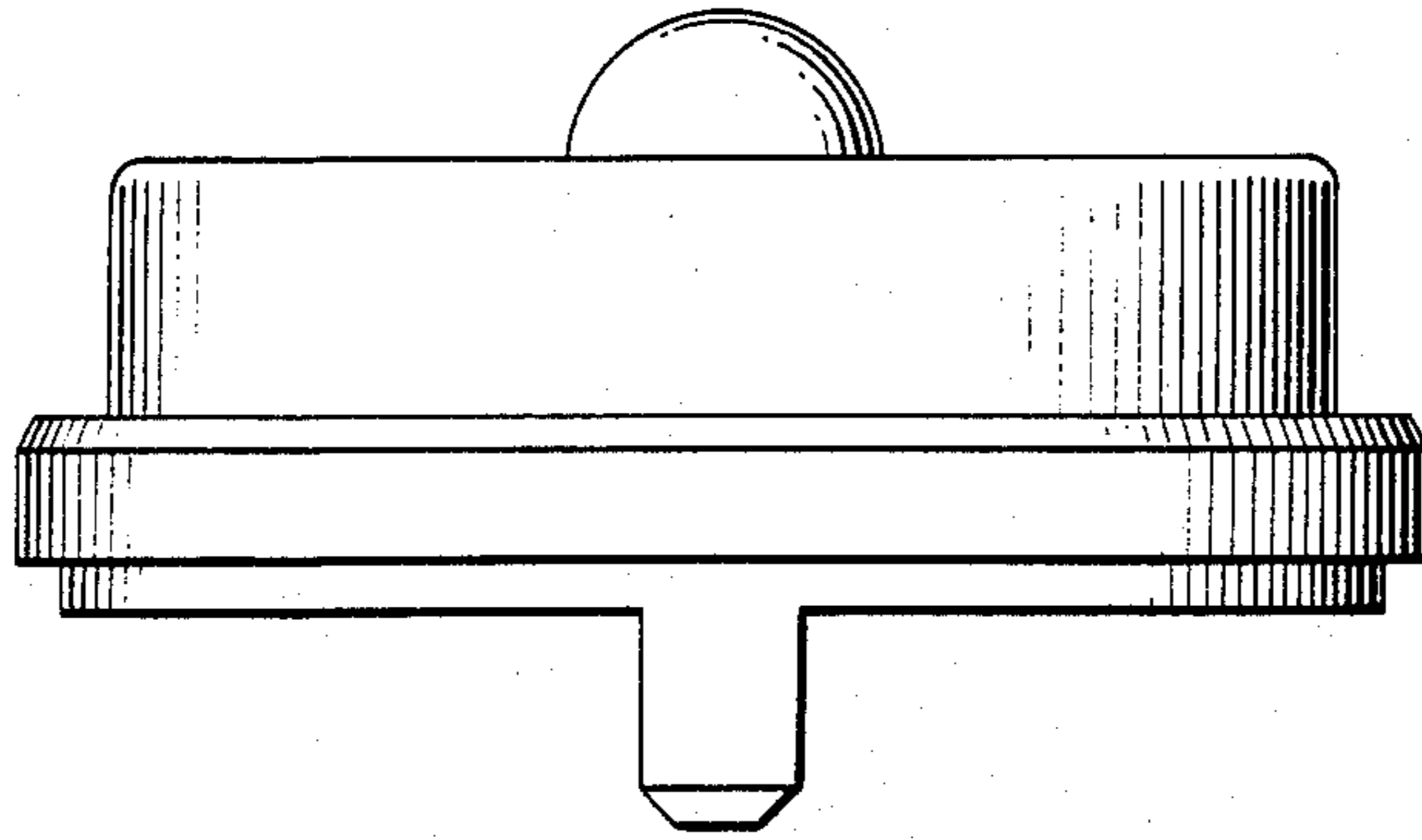


FIG. 5

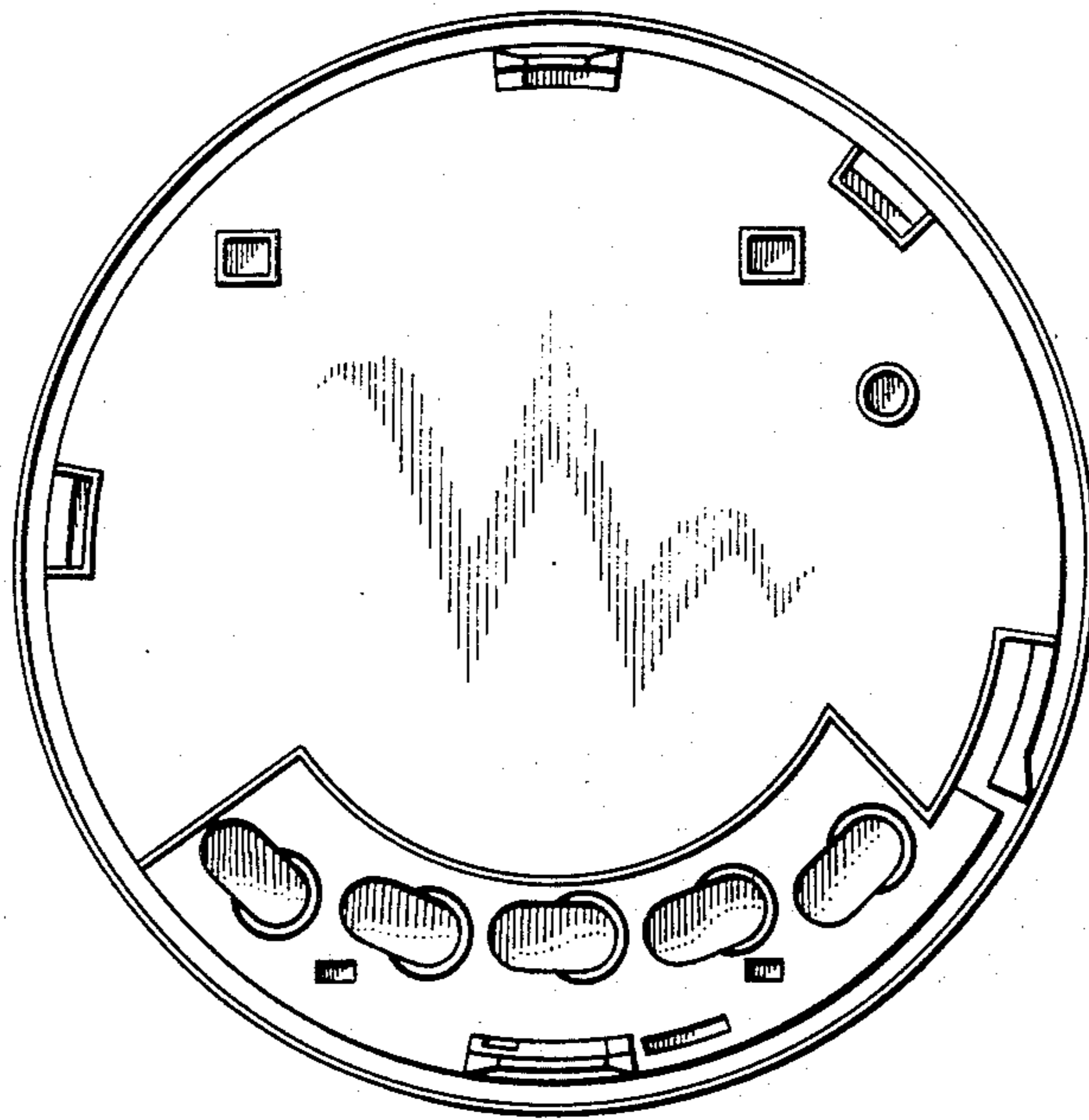


FIG. 7

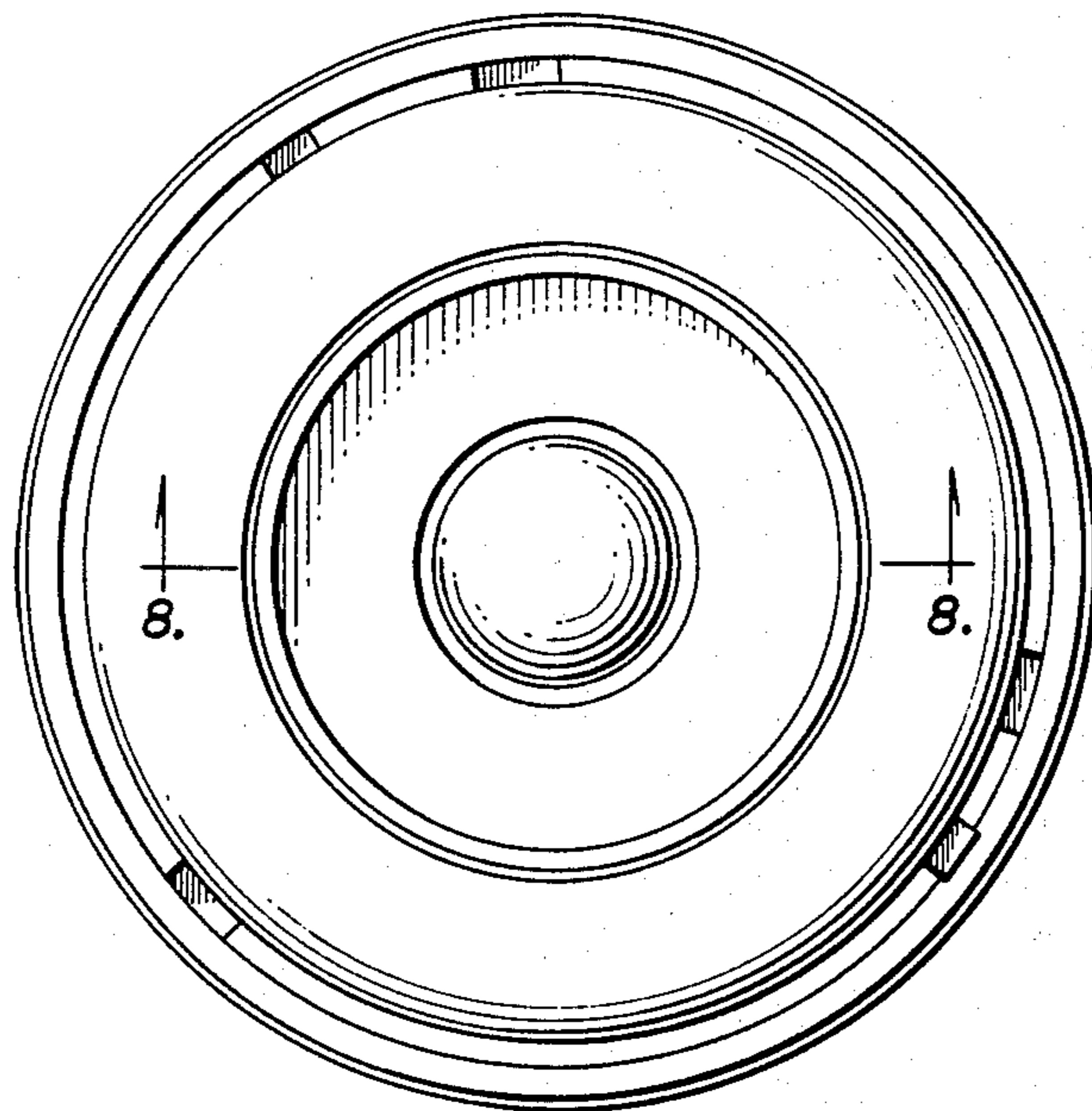


FIG. 9

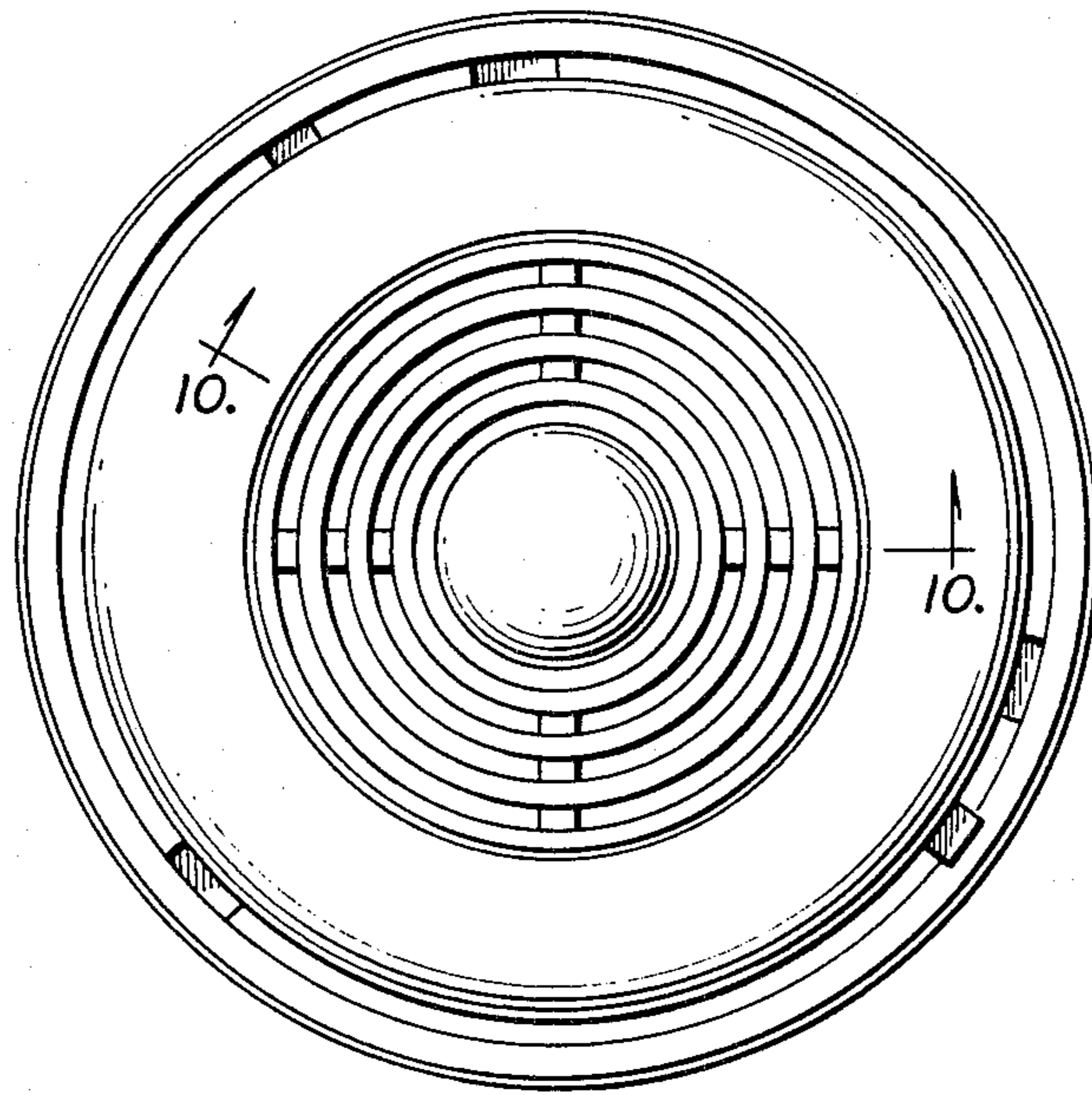


FIG. 6

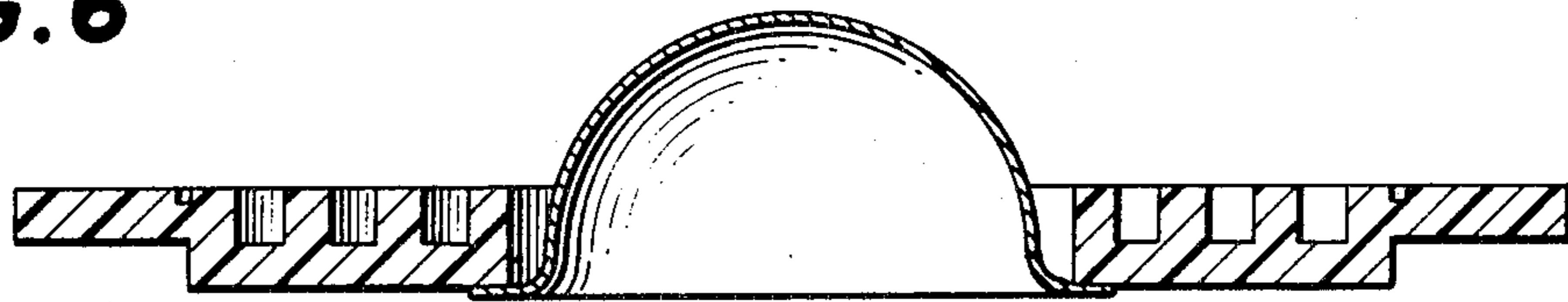


FIG. 8

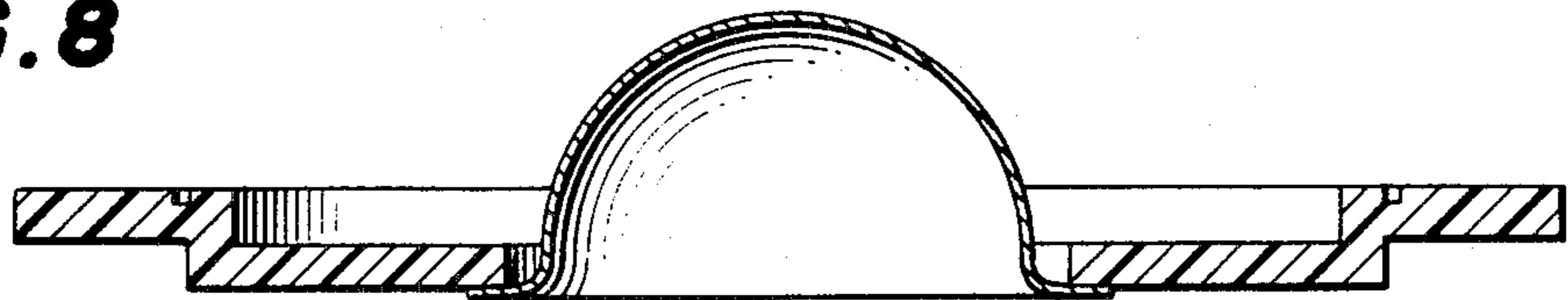


FIG. 10

