

United States Patent [19]

Tilden

[11] Patent Number: **Des. 286,508**

[45] Date of Patent: **** Nov. 4, 1986**

[54] **POURING COVER FOR PAINT CANS**

[76] Inventor: **David J. Tilden, 5412 Ygnacio Dr., Sacramento, Calif. 95842**

[**] Term: **14 Years**

[21] Appl. No.: **527,351**

[22] Filed: **Aug. 29, 1983**

[52] U.S. Cl. **D9/435**

[58] Field of Search **D9/434, 454, 435, 447; 220/90, 90.6; 222/566-571**

[56] **References Cited**

U.S. PATENT DOCUMENTS

D. 262,192	12/1981	Wedge	D9/435
D. 276,595	12/1984	Miller	D9/434
1,865,736	7/1932	Astley	220/90
2,802,609	8/1957	Donovan	222/570
2,873,052	2/1959	Atherton	222/570

3,252,635	5/1966	Rosenhan	220/90 X
3,309,000	3/1967	Haverstick	222/569
4,098,439	7/1978	Blow, Jr. et al.	220/90.6 X
4,316,560	2/1982	Carter	222/567

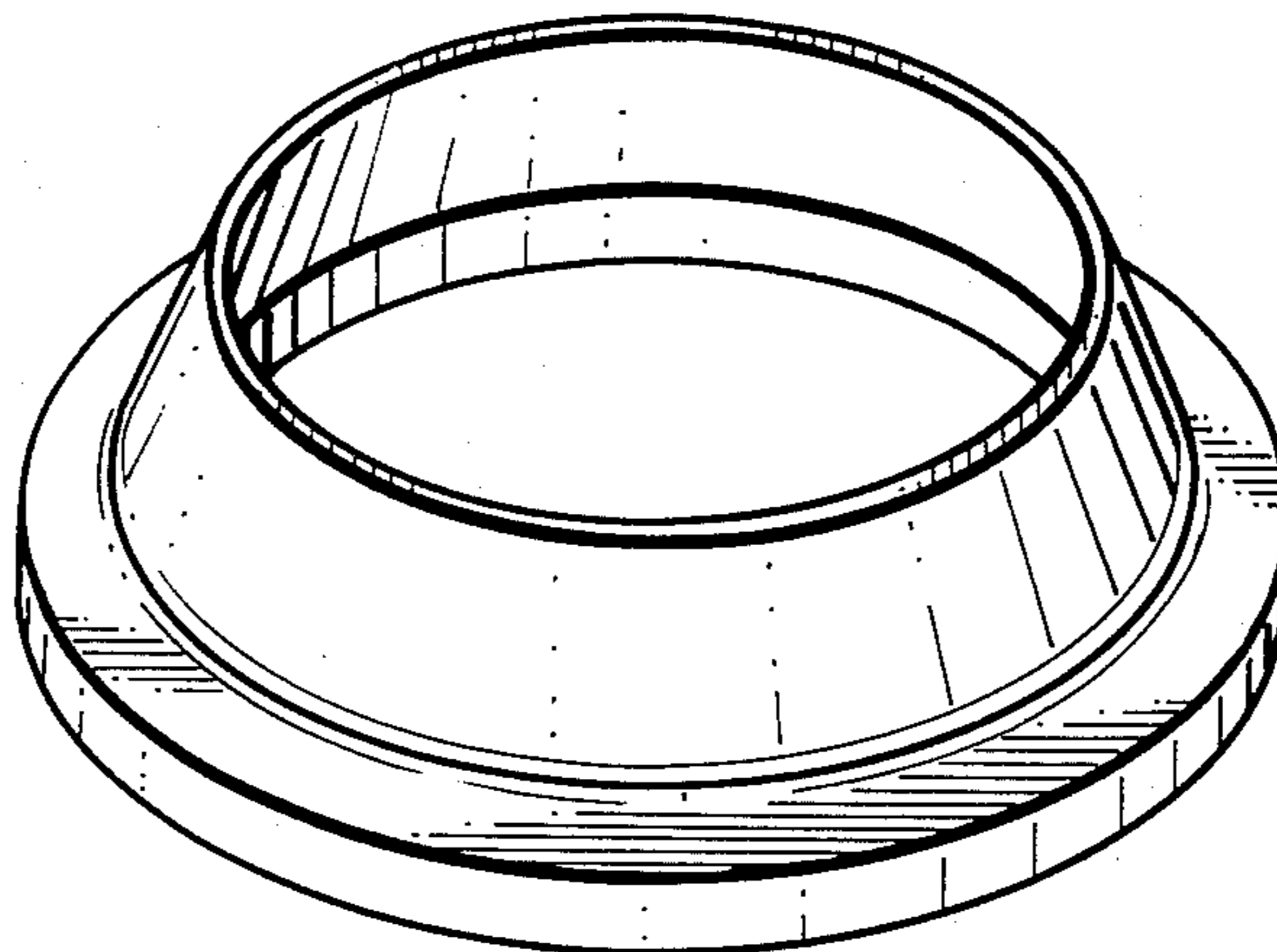
Primary Examiner—Bernard Ansher
Assistant Examiner—Linda Titolo
Attorney, Agent, or Firm—Mark C. Jacobs

[57] **CLAIM**

The ornamental design for pouring cover for paint cans, substantially as shown and described.

DESCRIPTION

FIG. 1 is a top perspective view of a pouring cover for paint cans, showing my new design;
FIG. 2 is a top plan view thereof;
FIG. 3 is a side elevational view thereof;
FIG. 4 is a bottom plan view thereof; and
FIG. 5 is a cross-sectional view thereof taken on line 5—5 of FIG. 2.



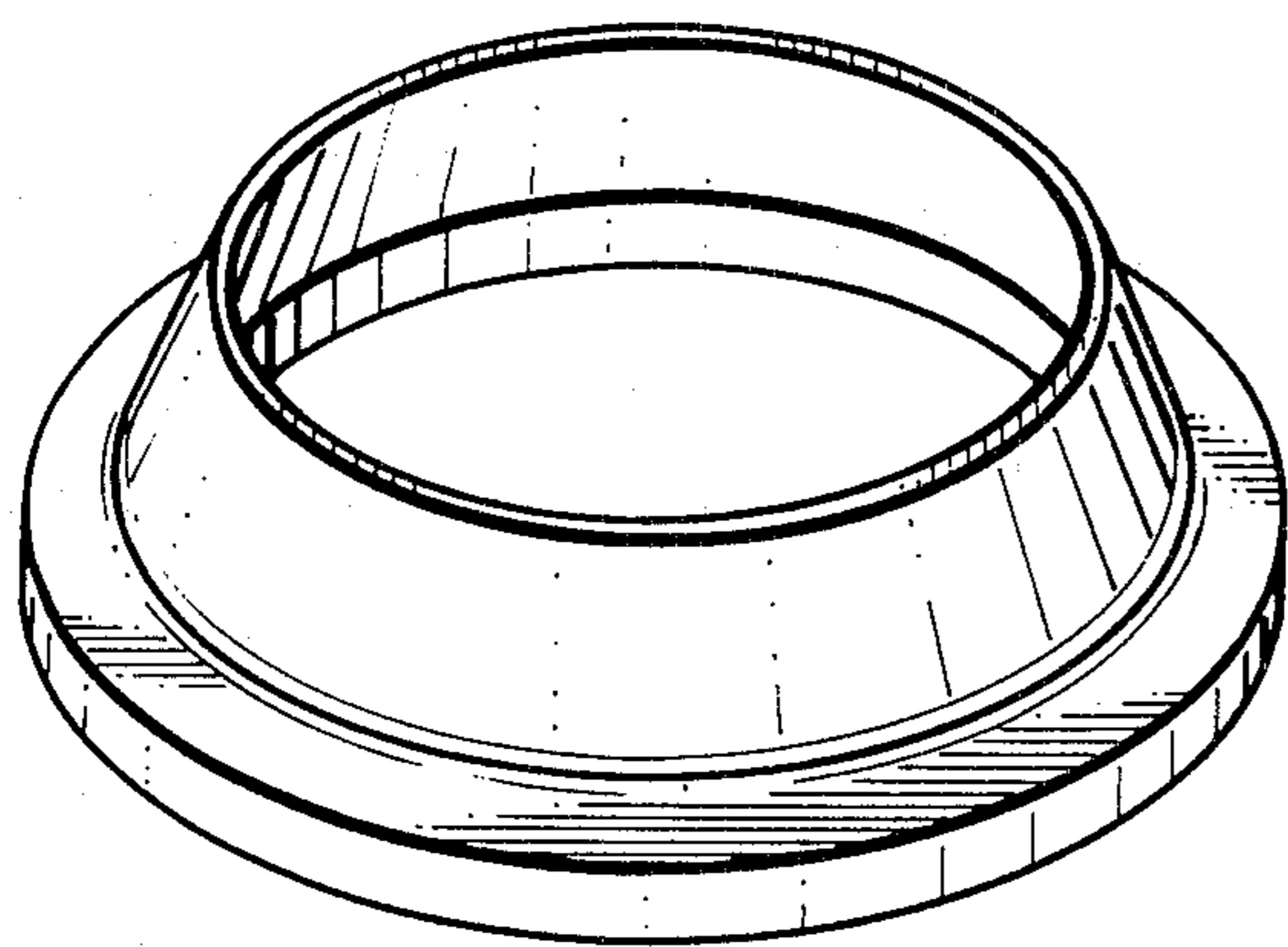


Fig. 1.

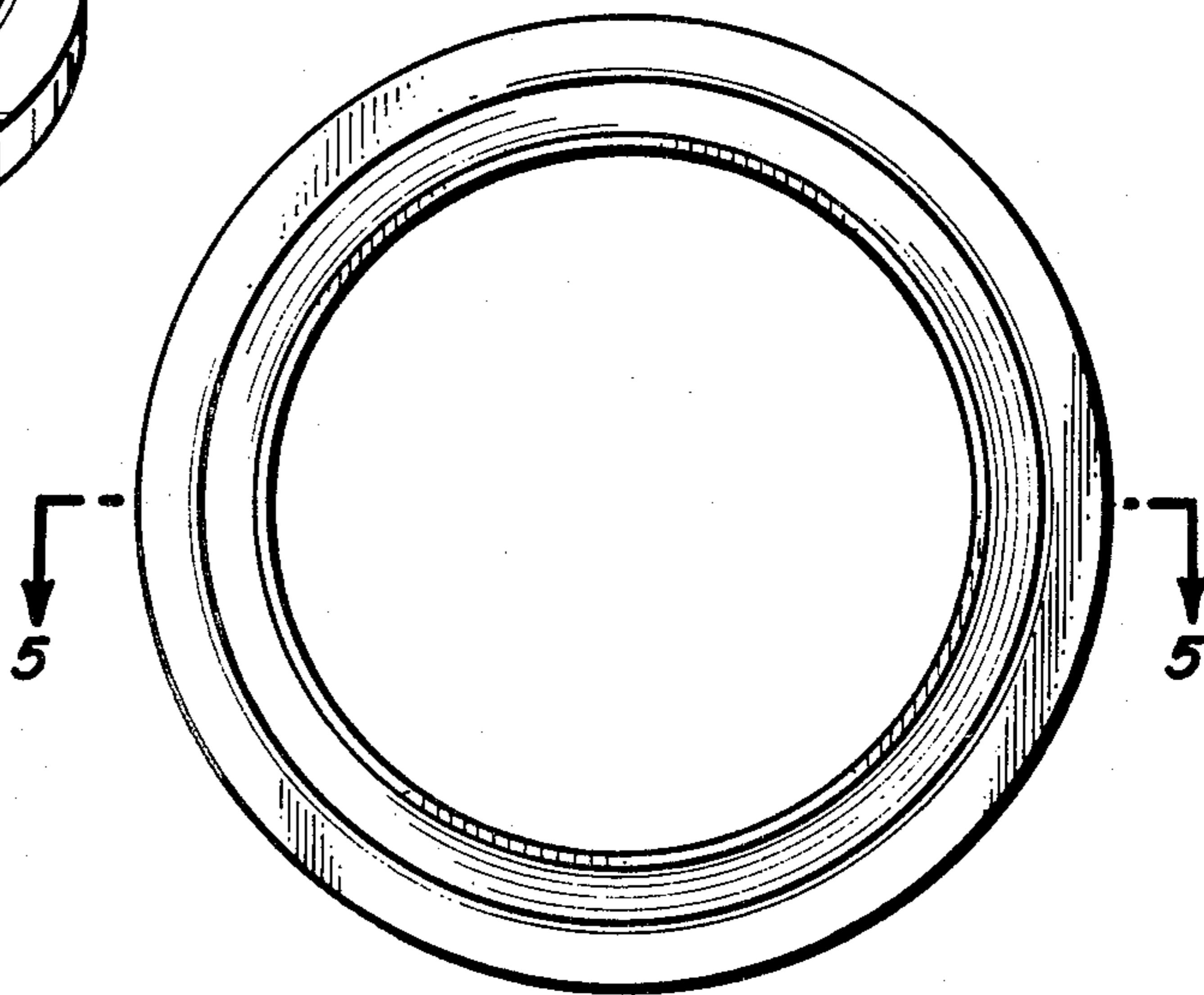


Fig. 2.

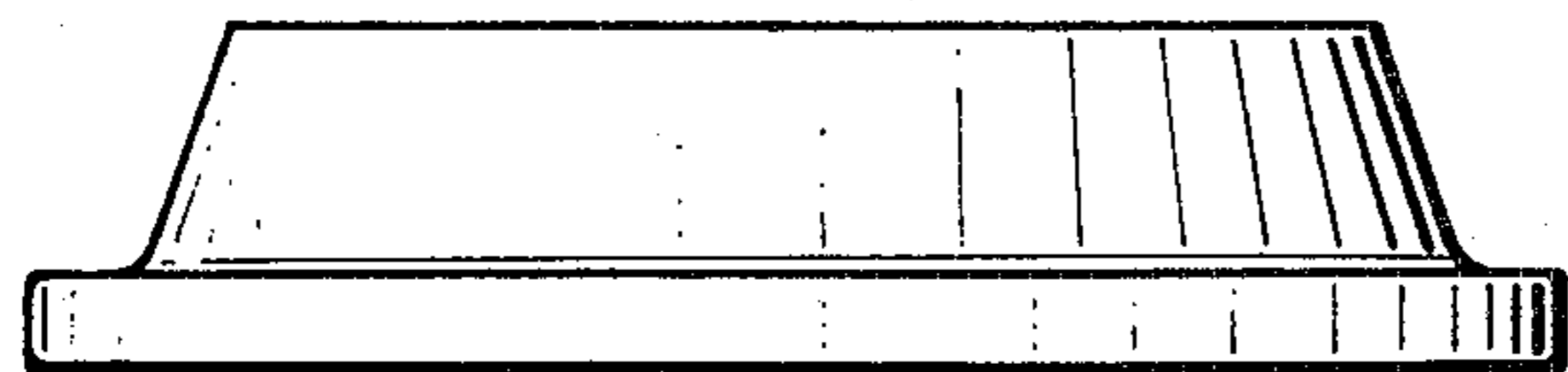


Fig. 3.

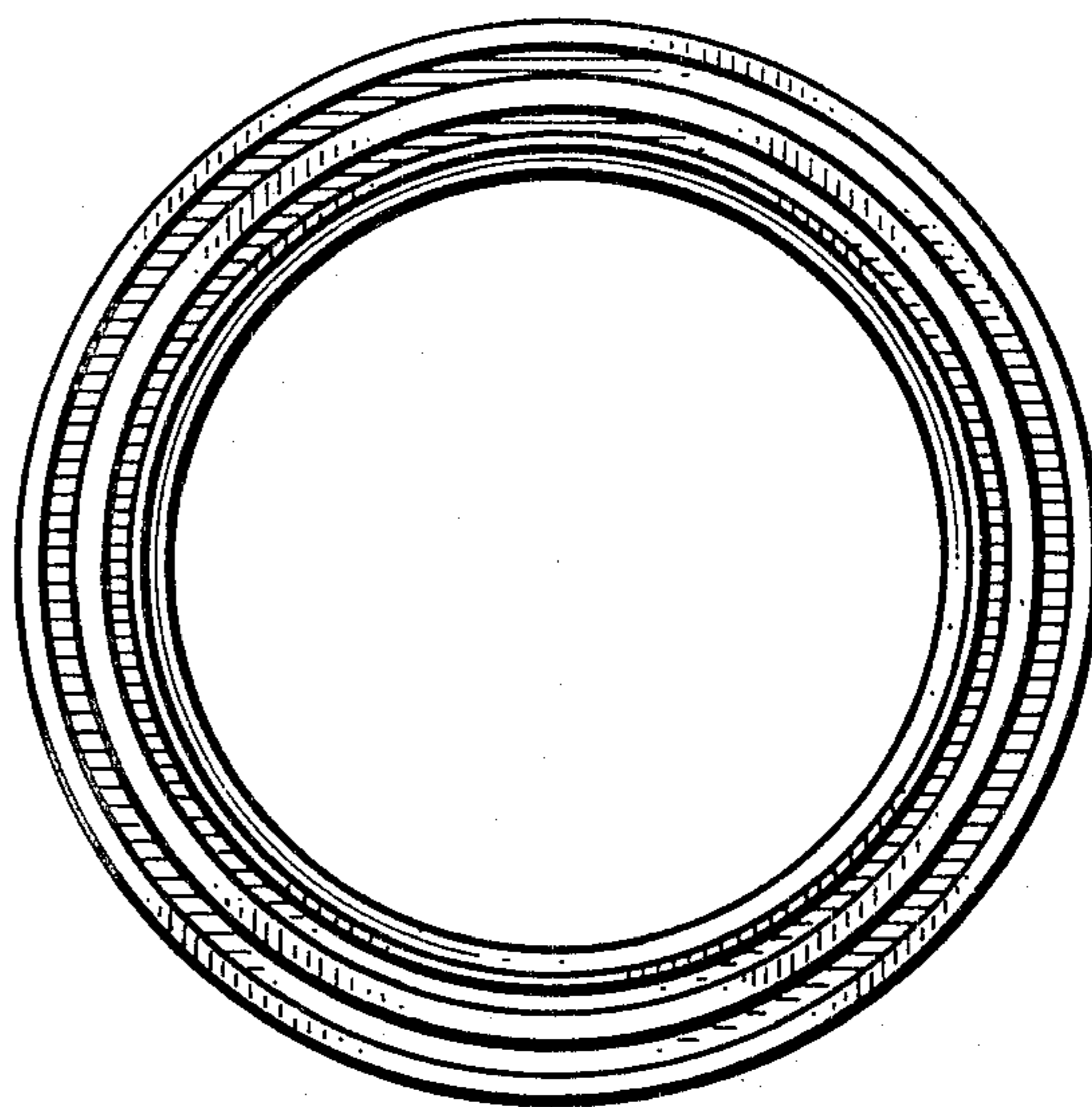


Fig. 4.

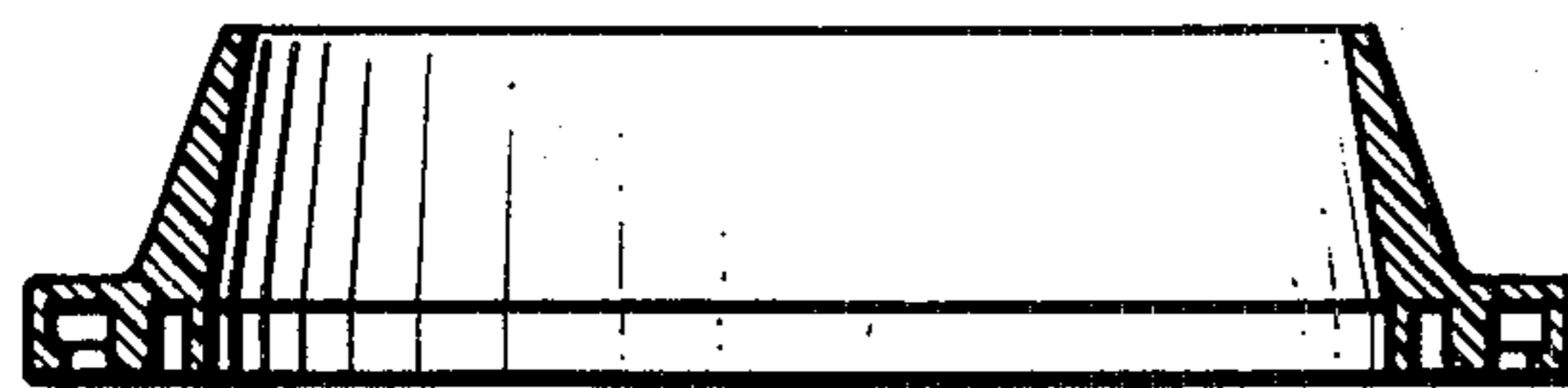


Fig. 5.