

[54] WINDSHIELD WIPER ARM PULLER

[76] Inventor: Joseph W. Moreno, 3735 Manini Way, Honolulu, Hi. 96816

[**] Term: 14 Years

[21] Appl. No.: 576,465

[22] Filed: Feb. 2, 1984

[52] U.S. Cl. D8/89; D8/14; 29/257

[58] Field of Search D8/14, 89; 29/257, 258, 29/259, 263

[56] References Cited

U.S. PATENT DOCUMENTS

Re. 18,556	8/1932	Cornwell	29/257
948,980	2/1910	Tischler	29/257 X
995,595	6/1911	Hahn	29/257 X
2,077,254	4/1937	Nestler	29/259

2,965,958	12/1960	Gribble	29/257 X
3,334,405	8/1967	Cann et al.	29/257

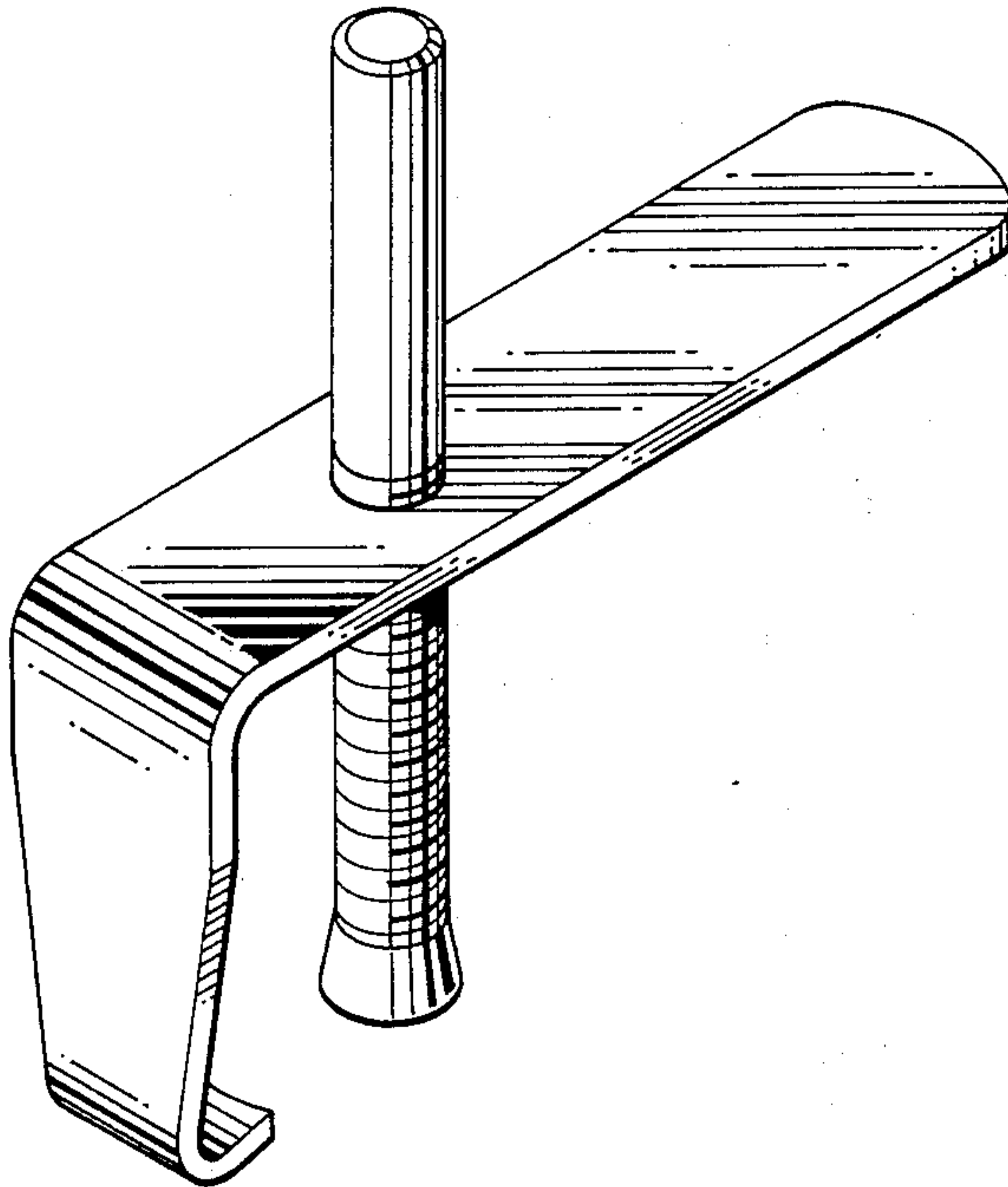
Primary Examiner—Susan J. Lucas
Assistant Examiner—C. E. Heflin

[57] CLAIM

The ornamental design for a windshield wiper arm puller, as shown and described.

DESCRIPTION

FIG. 1 is a perspective view of the windshield wiper arm puller showing my new design; FIG. 2 is a top plan view thereof; FIG. 3 is a rear elevational view thereof; FIG. 4 is a front elevational view thereof; FIG. 5 is a side elevational view thereof; FIG. 6 is a bottom plan view thereof; FIG. 7 is a perspective view thereof with the windshield wiper arm and operator's hand being shown in broken lines for illustrative purposes only.



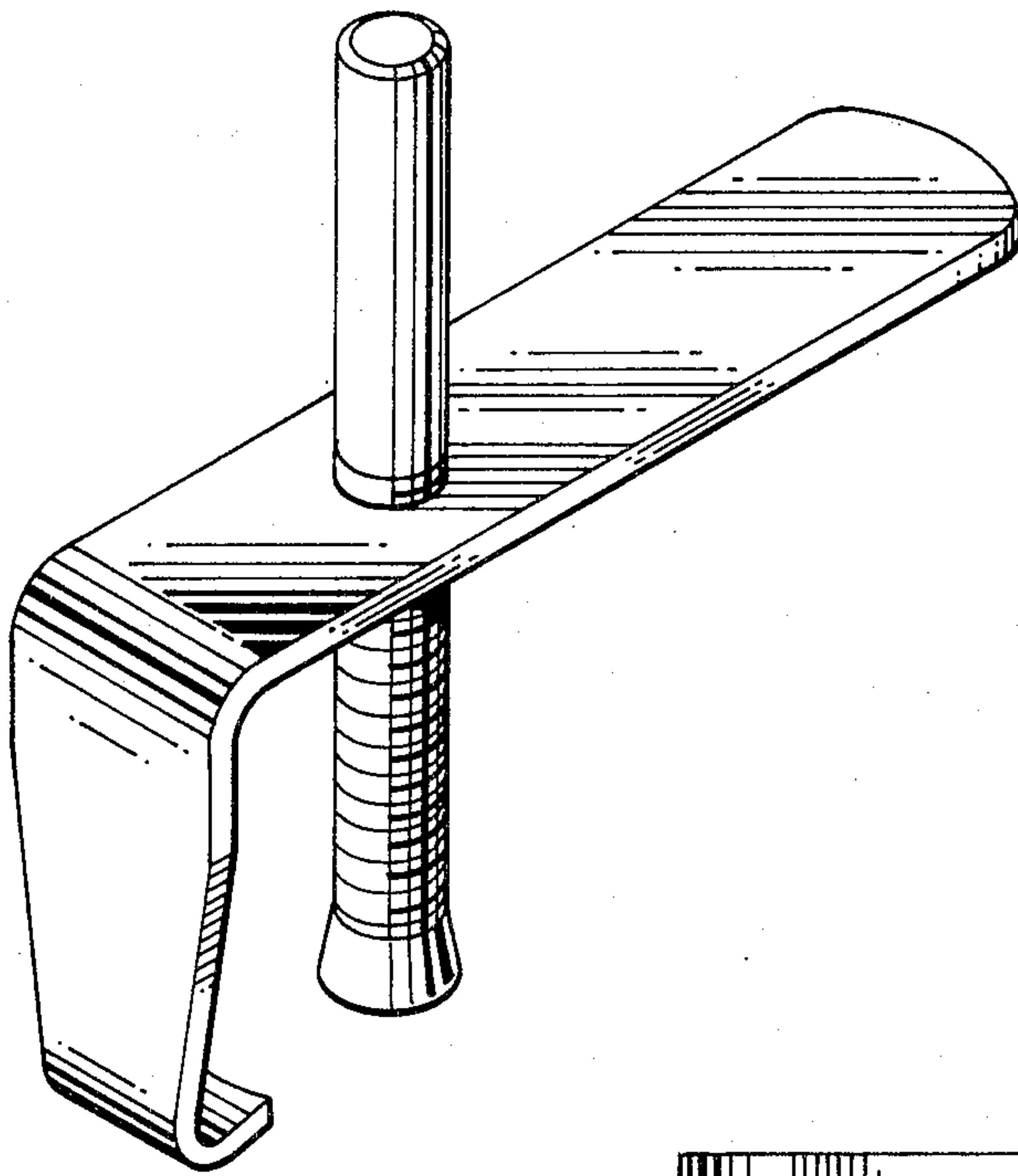


FIG. 1

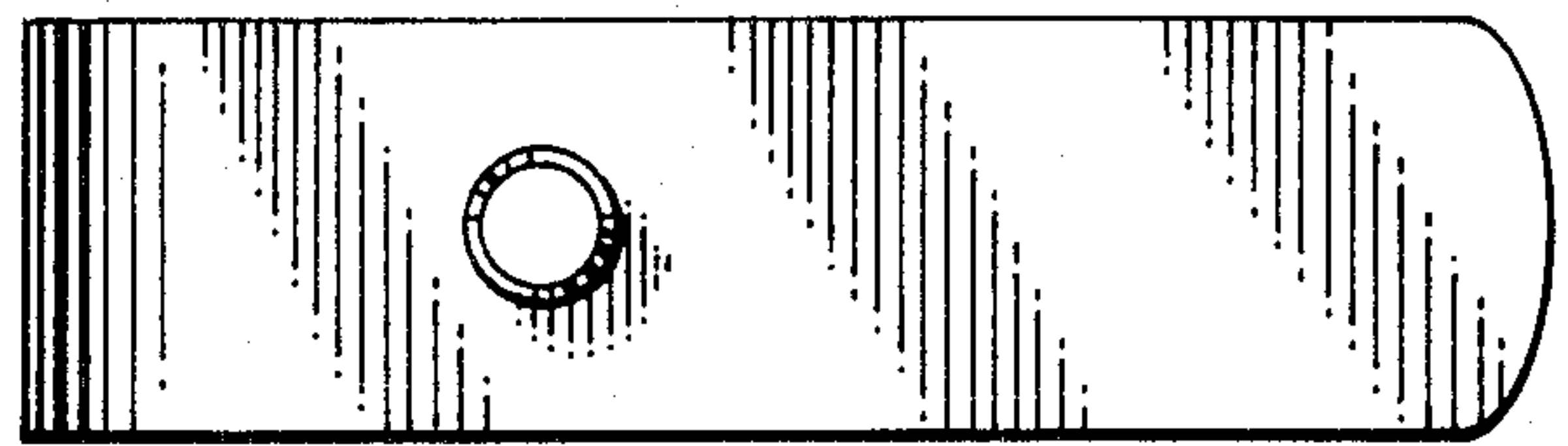


FIG. 2

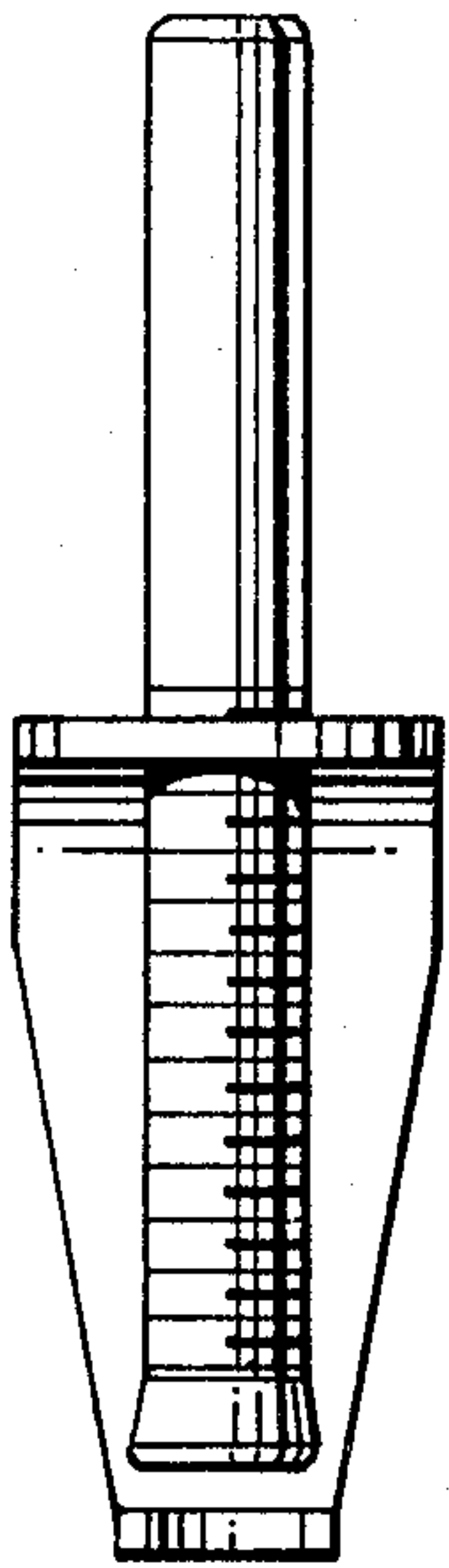


FIG. 3

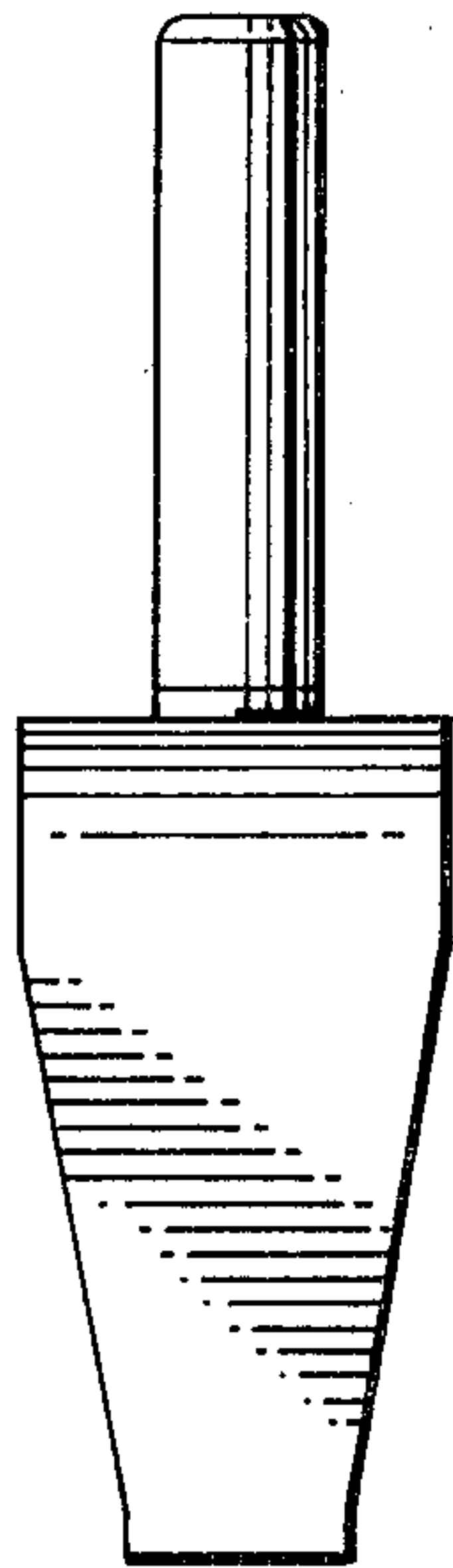


FIG. 4

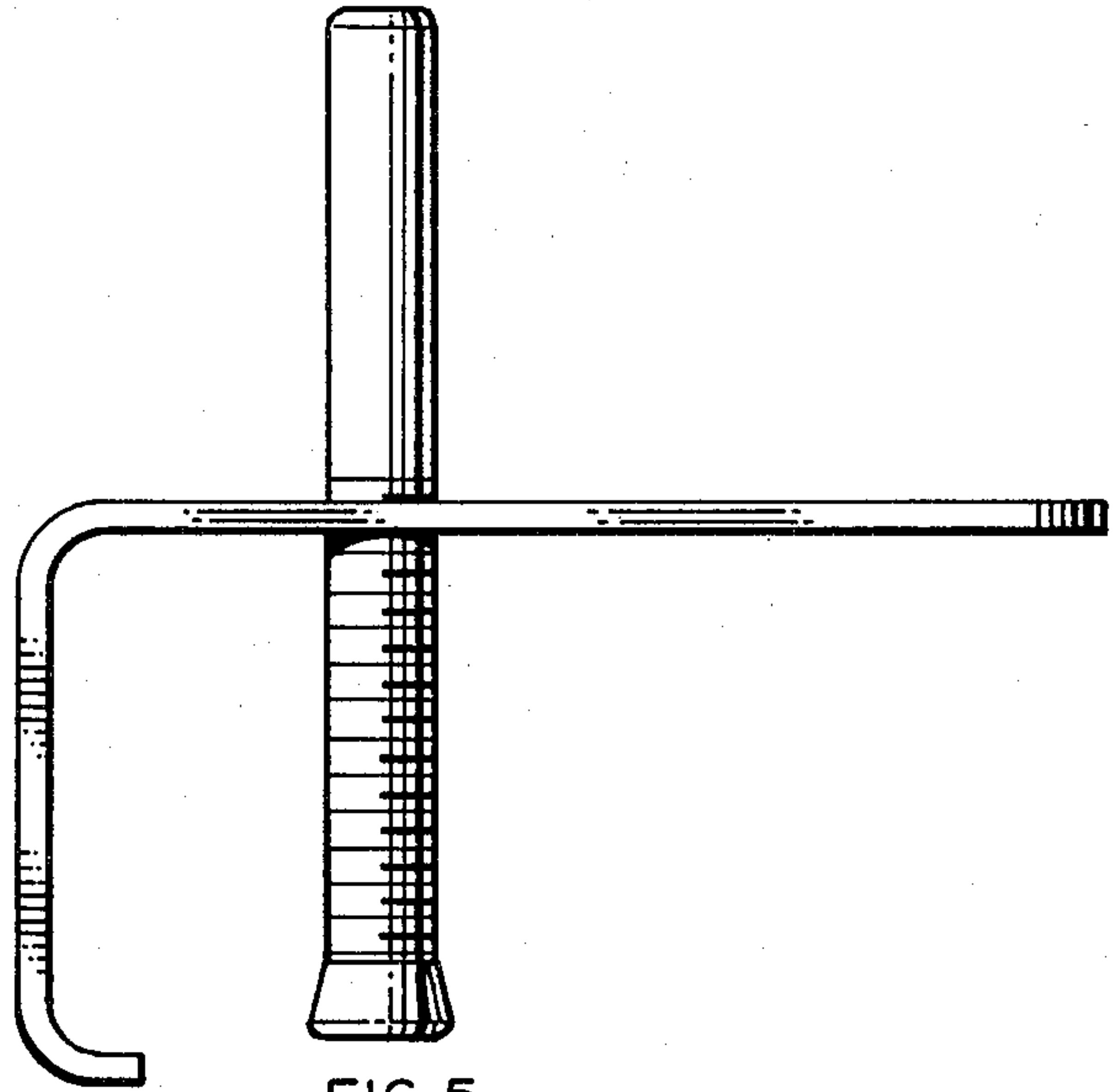


FIG. 5

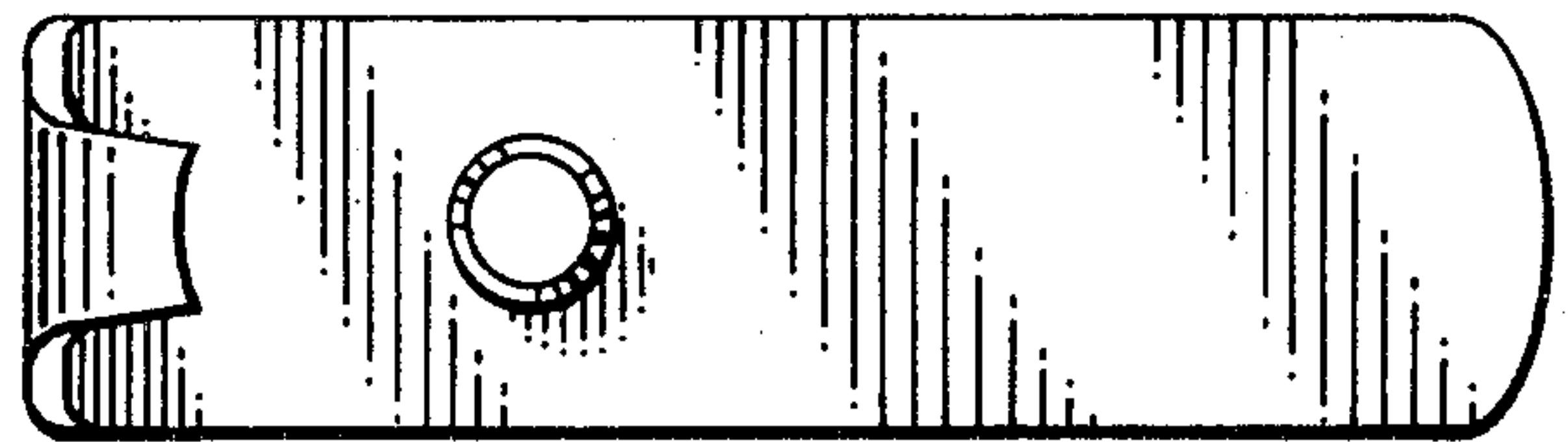


FIG. 6

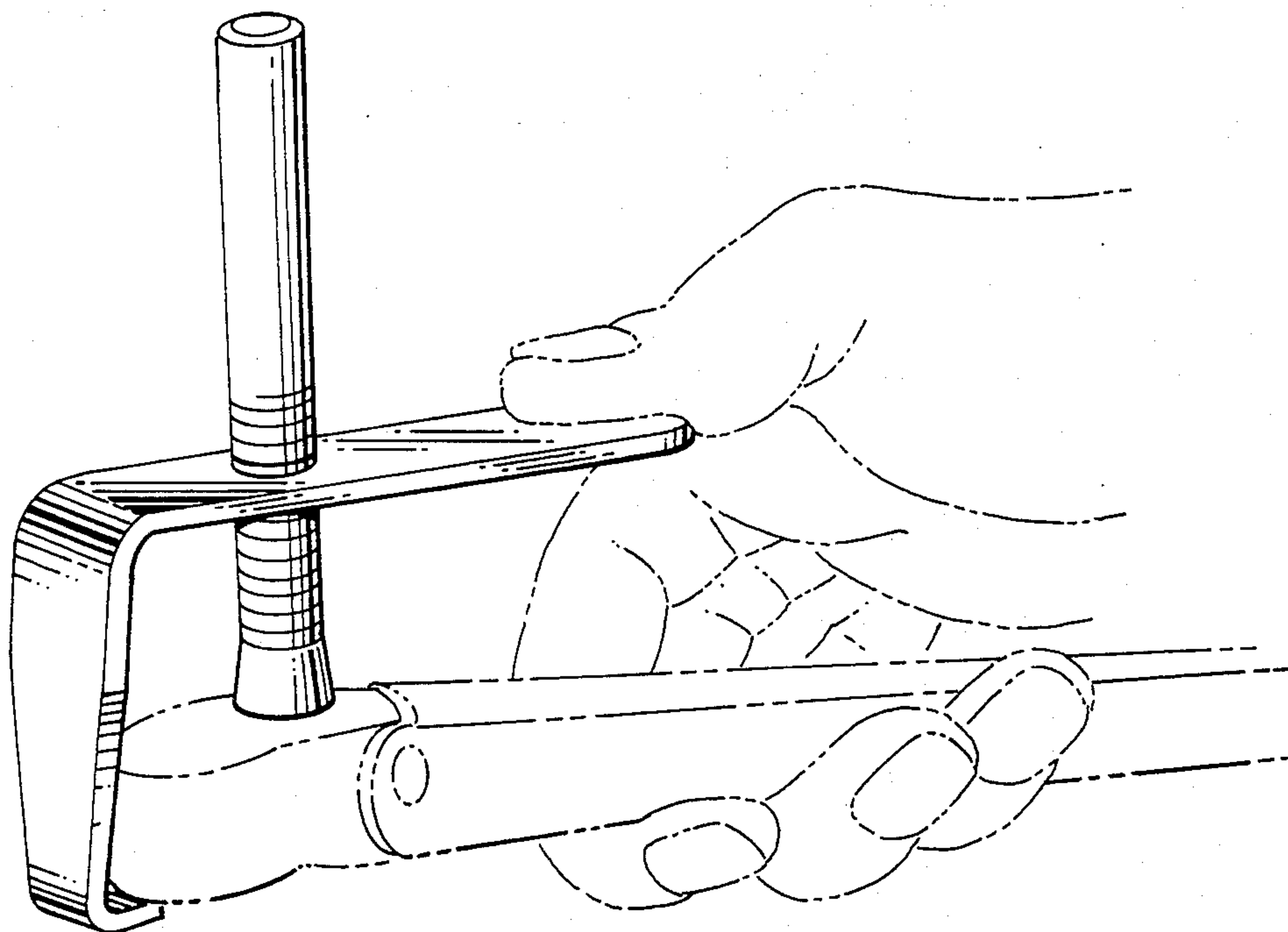


FIG. 7