

[54] TABLE TOP COOKING GRILL

[75] Inventor: Leonard V. Lastuck, Mississauga, Canada

[73] Assignee: AMC Appliances, Division of Algonquin Mercantile Corporation, Weston, Canada

[\*\*] Term: 14 Years

[21] Appl. No.: 726,819

[22] Filed: Apr. 25, 1985

Related U.S. Application Data

[62] Division of Ser. No. 494,107, May 12, 1983.

[52] U.S. Cl. .... D7/363

[58] Field of Search ..... D7/323, 350, 362-367, D7/354-355, 359, 402, 407-409; 99/339, 422, 425, 444, 447; 219/443; 126/273 R, 273.5, 275 E, 275 R

References Cited

U.S. PATENT DOCUMENTS

D.46,309	8/1914	Binswanger	.....	D7/359
D. 190,212	4/1961	Ernest	.....	D7/363
D. 222,601	11/1971	Marshall	.....	D7/364
D. 230,371	2/1974	Philipe	.....	D7/350
D. 266,731	11/1982	Downey	.....	D7/363
D. 268,981	5/1983	Monson	.....	D7/359
1,421,393	7/1922	Boyle	.....	126/29
1,962,908	6/1934	Pierson	.....	D7/359

FOREIGN PATENT DOCUMENTS

2140672 12/1984 United Kingdom ..... 99/422

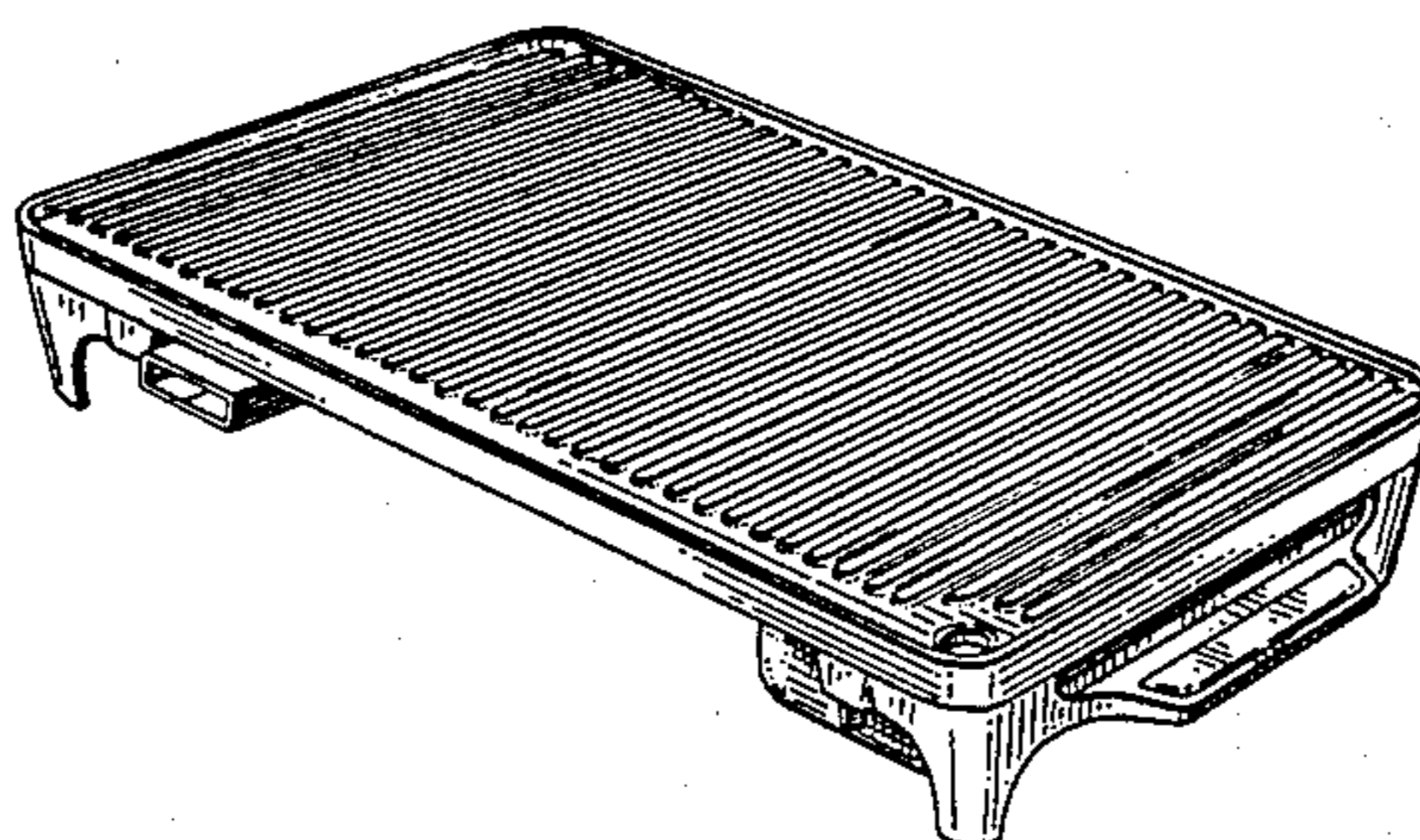
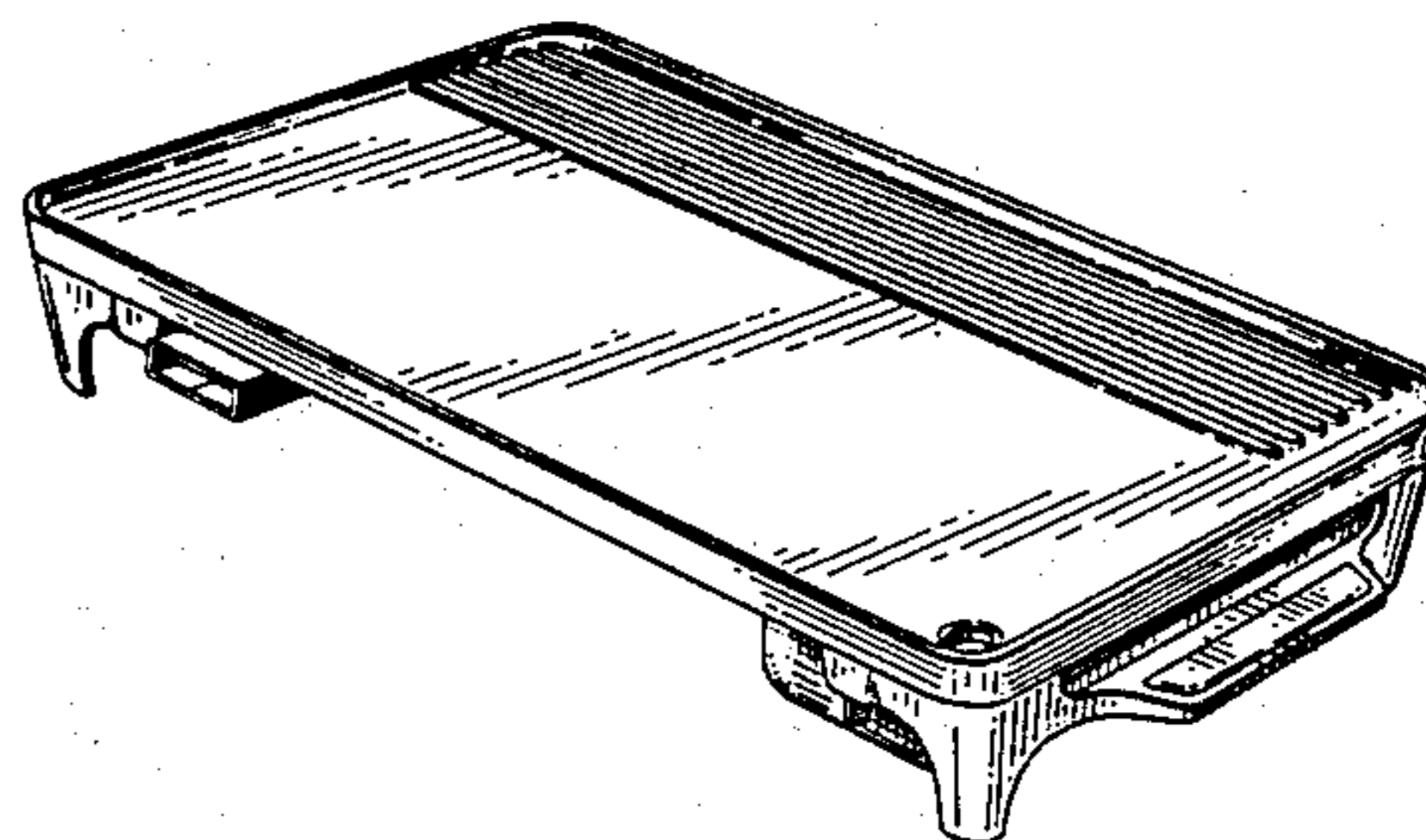
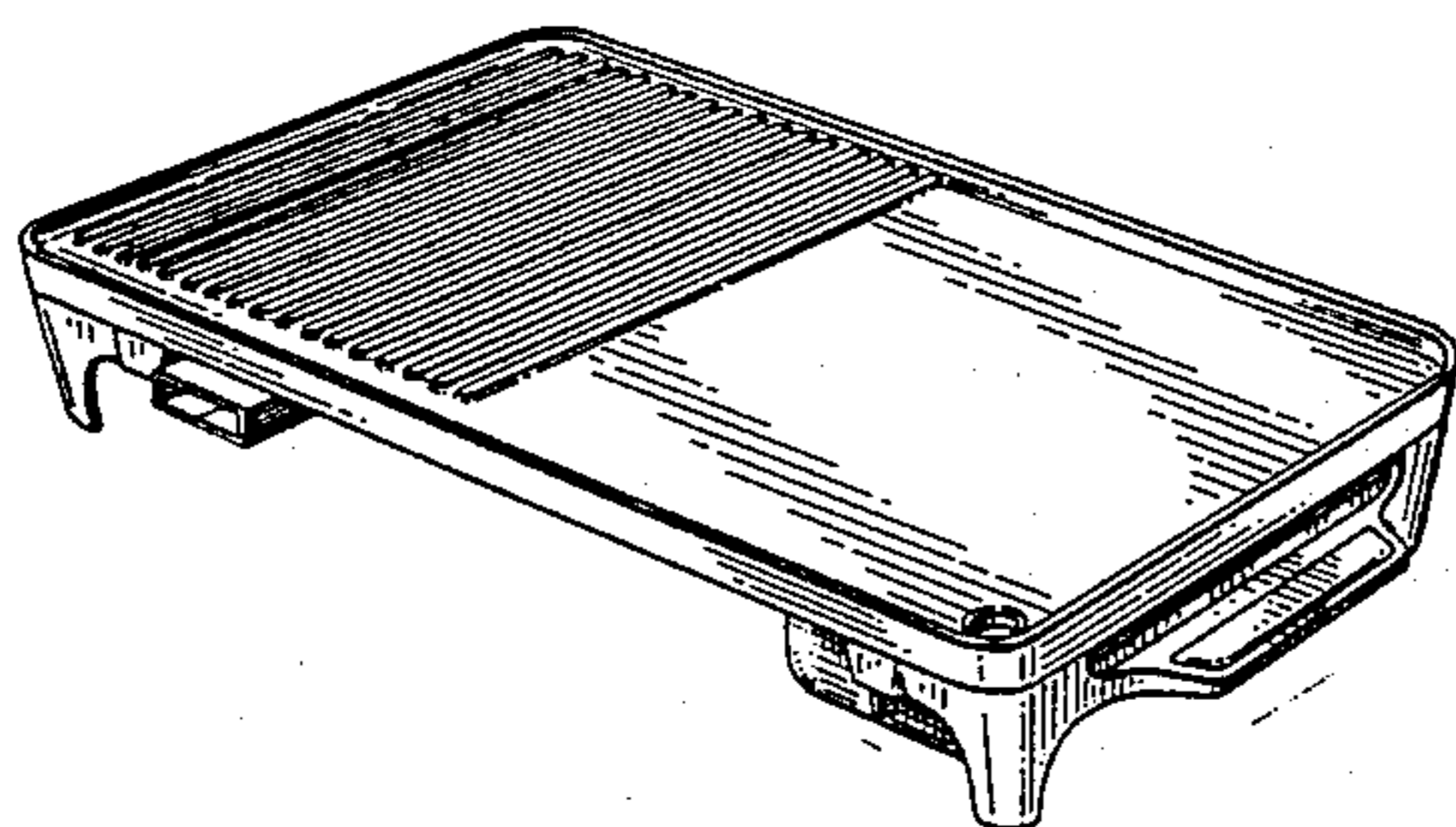
Primary Examiner—Wallace R. Burke  
Assistant Examiner—Ruth E. Takemoto  
Attorney, Agent, or Firm—Sim & McBurney

[57] CLAIM

The ornamental design for a table top cooking grill, as shown.

DESCRIPTION

FIG. 1 is a perspective view of a first embodiment of a table-top cooking grill showing my design, taken obliquely from above;  
FIG. 2 is a perspective view thereof, taken obliquely from below.  
FIG. 3 is a side elevational view thereof;  
FIG. 4 is an end elevational view thereof;  
FIG. 5 is a perspective view of a second embodiment of a table-top cooking grill showing my design, taken obliquely from above;  
FIG. 6 is a further perspective view thereof, taken obliquely from below;  
FIG. 7 is a side elevational view thereof;  
FIG. 8 is an end elevational view thereof;  
FIG. 9 is a perspective view of a third embodiment of a table-top cooking grill showing my design, taken obliquely from above;  
FIG. 10 is a further perspective view thereof, taken obliquely from below;  
FIG. 11 is a side elevational view thereof;  
FIG. 12 is an end elevational view thereof.



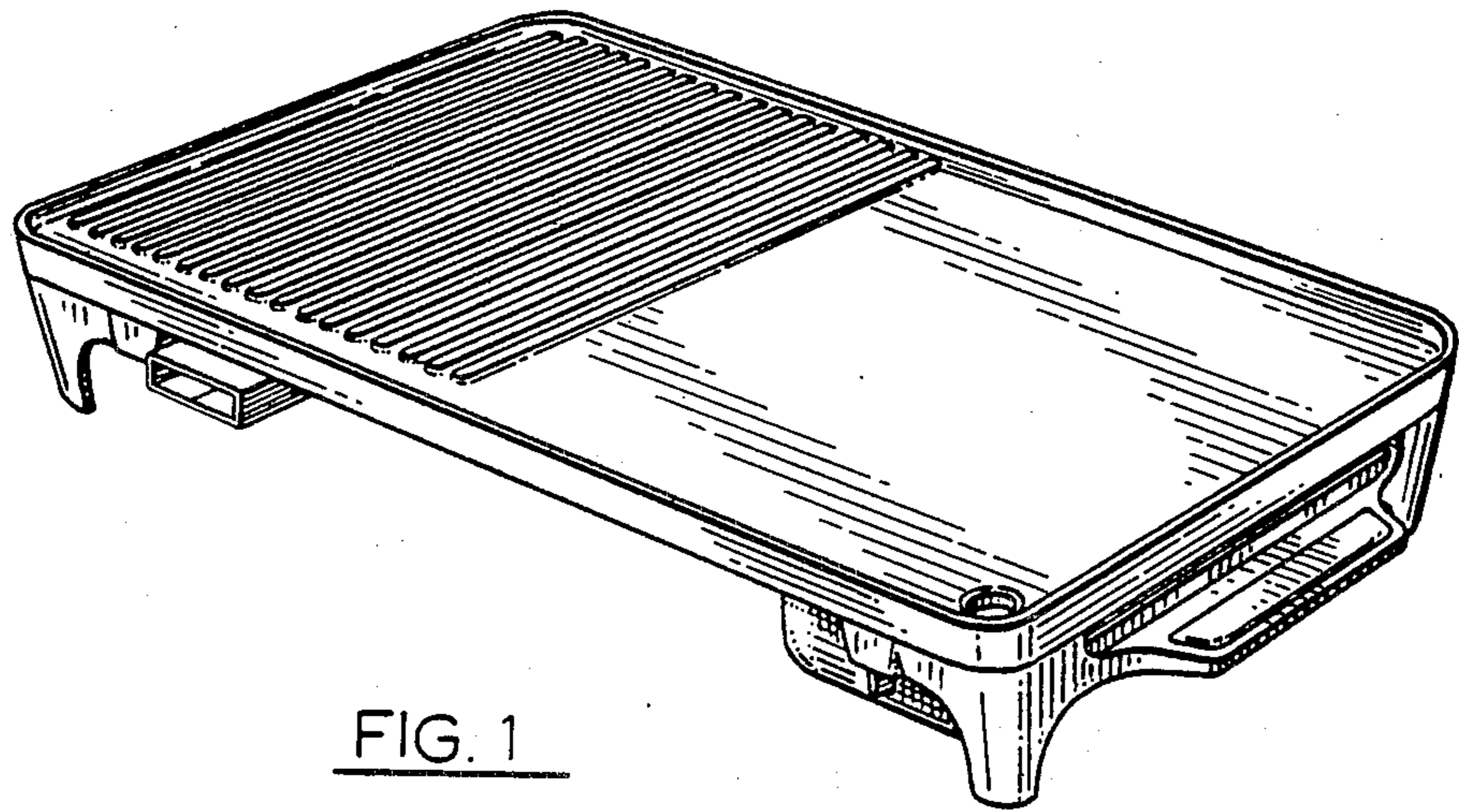


FIG. 1

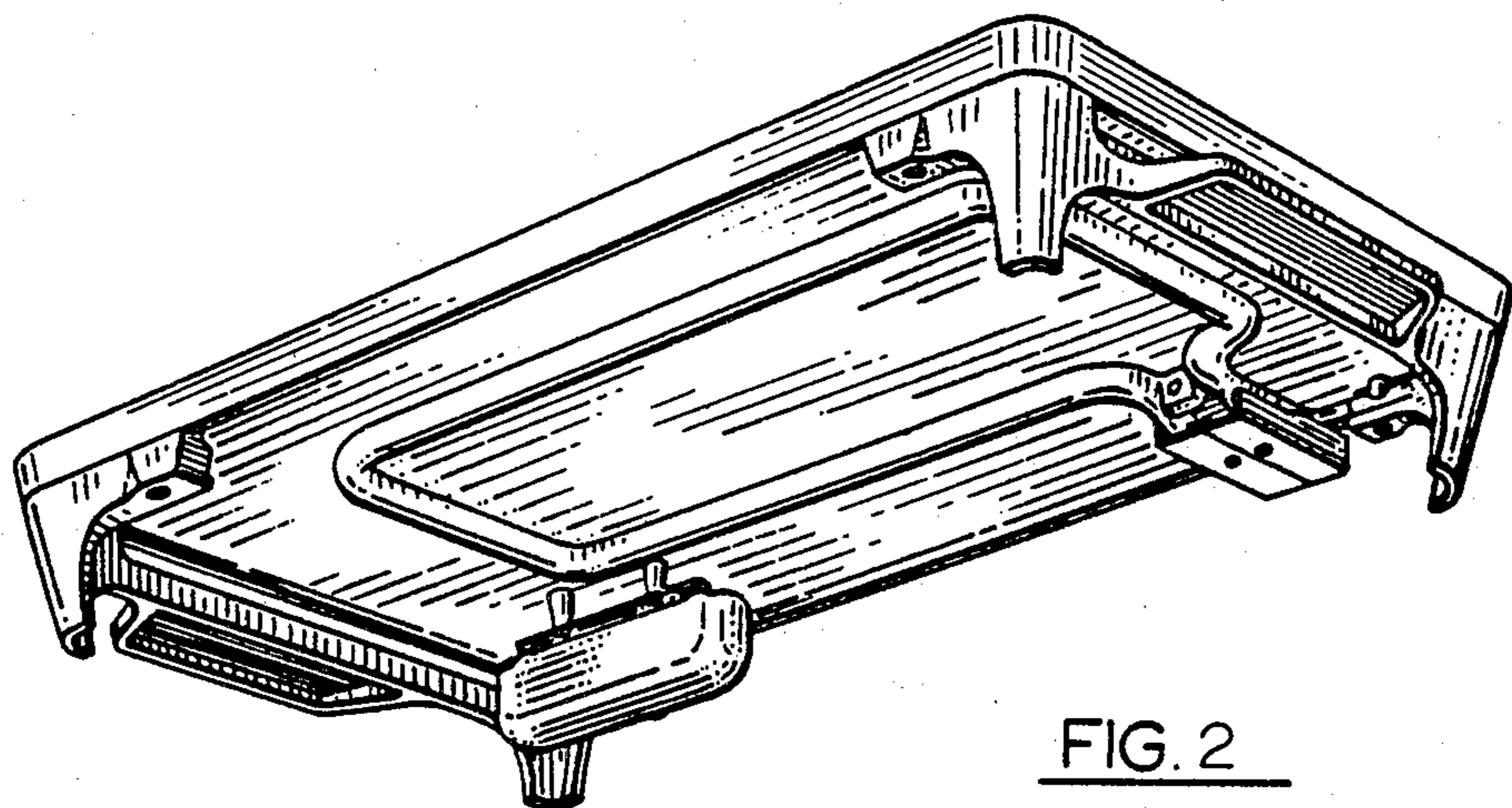


FIG. 2

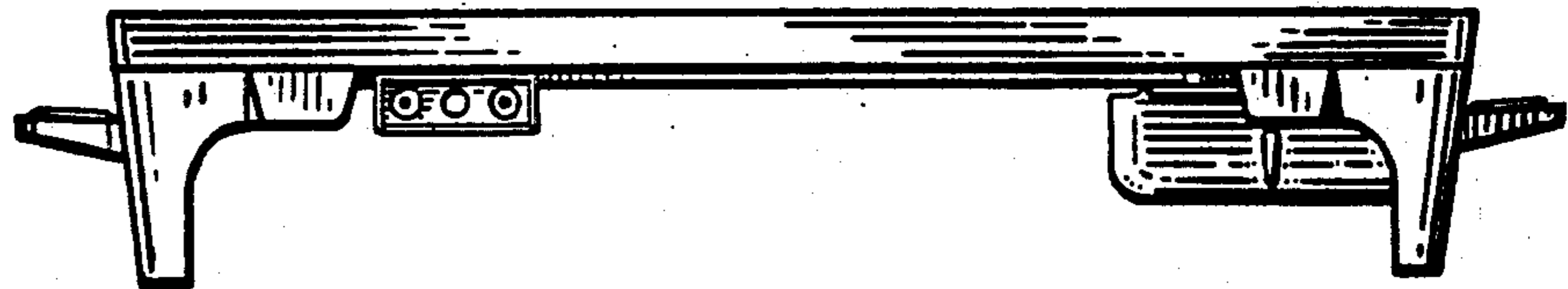


FIG. 3

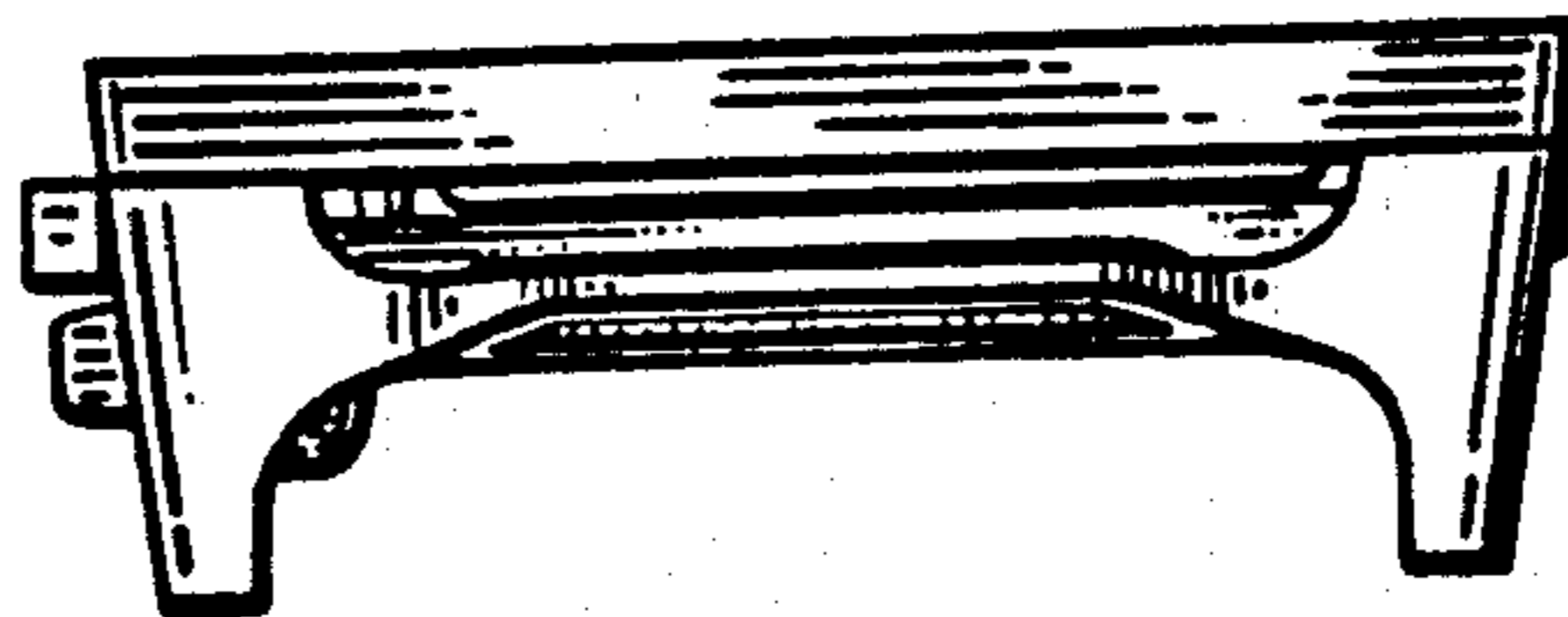


FIG. 4

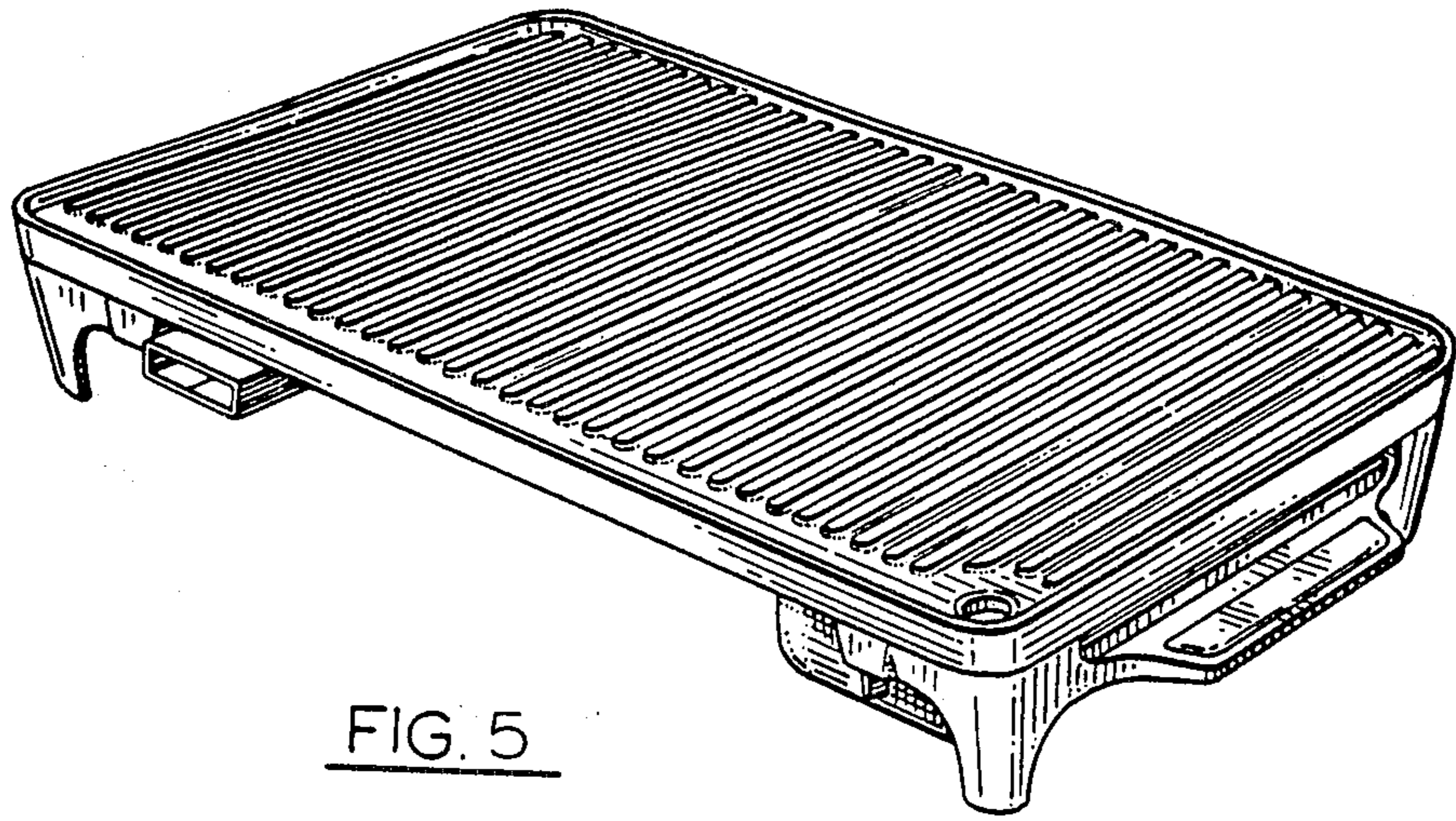


FIG. 5

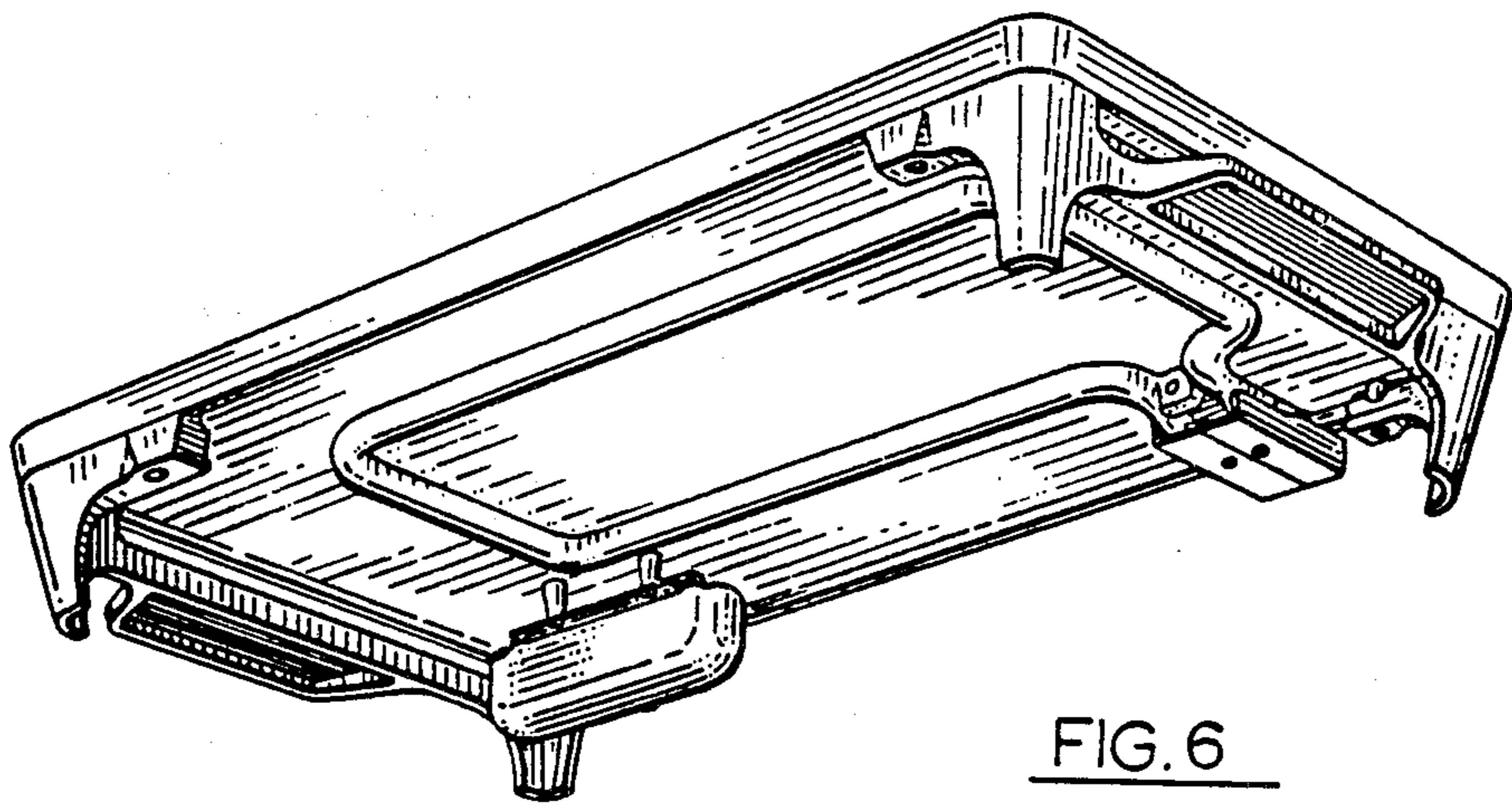


FIG. 6

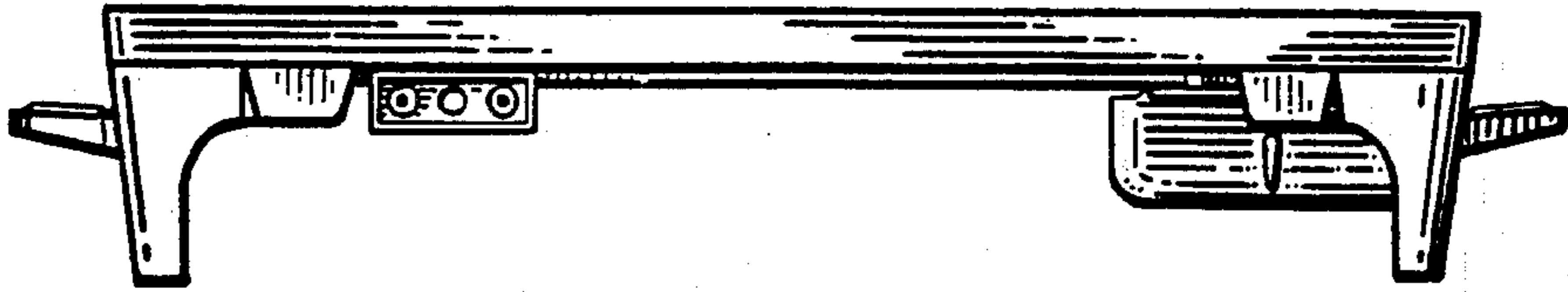


FIG. 7

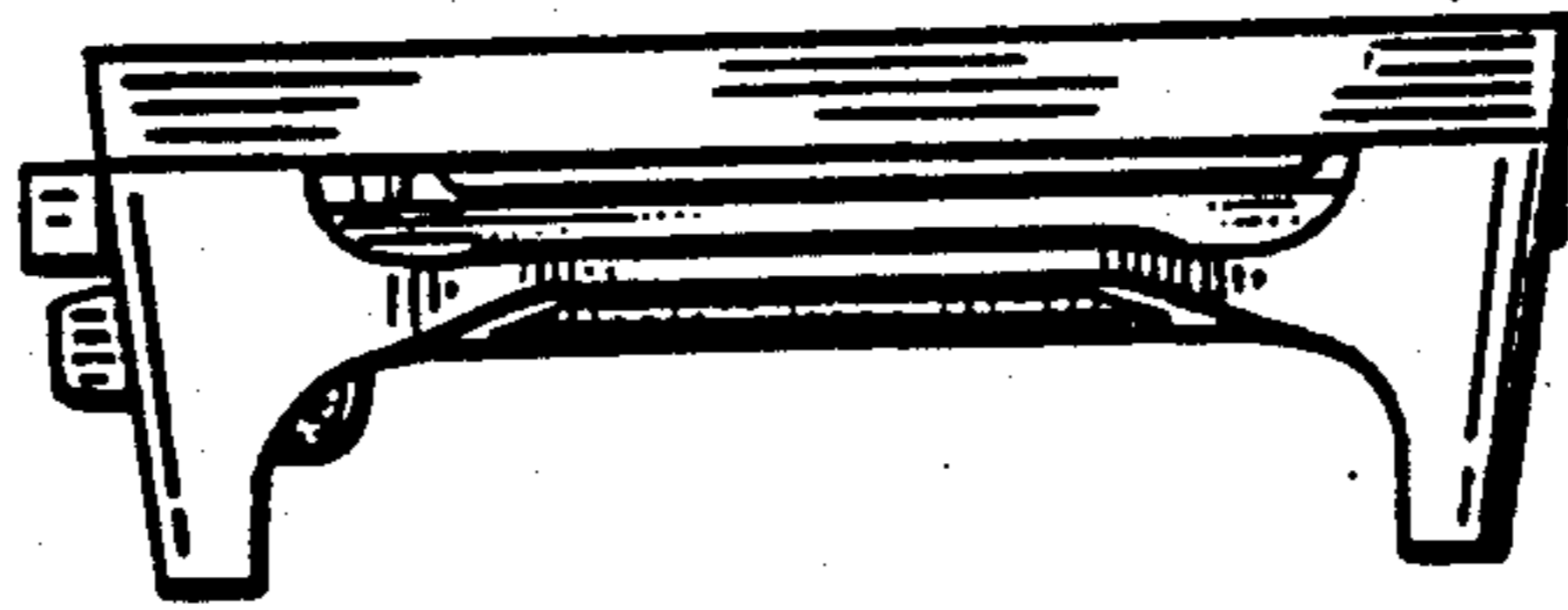


FIG. 8

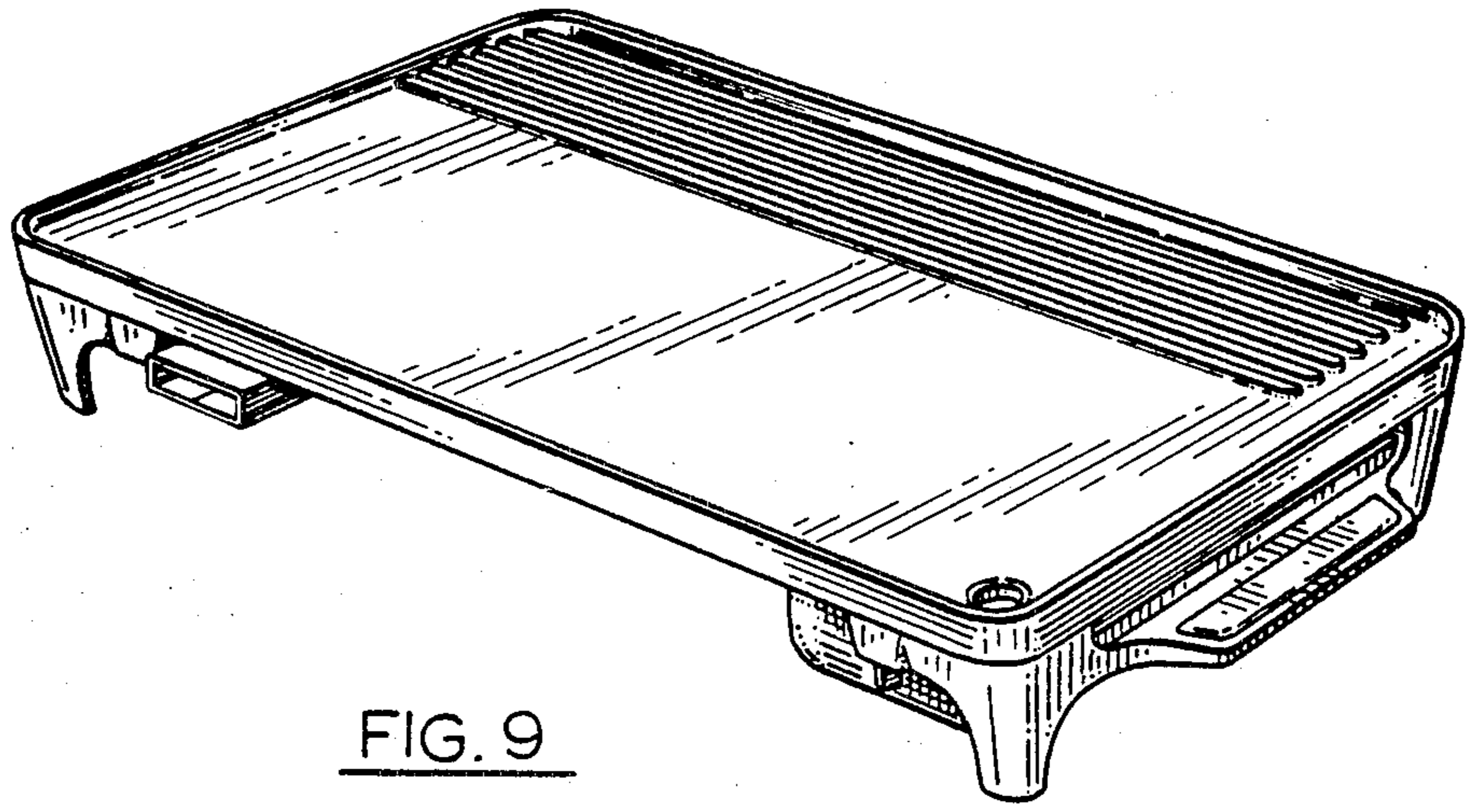


FIG. 9

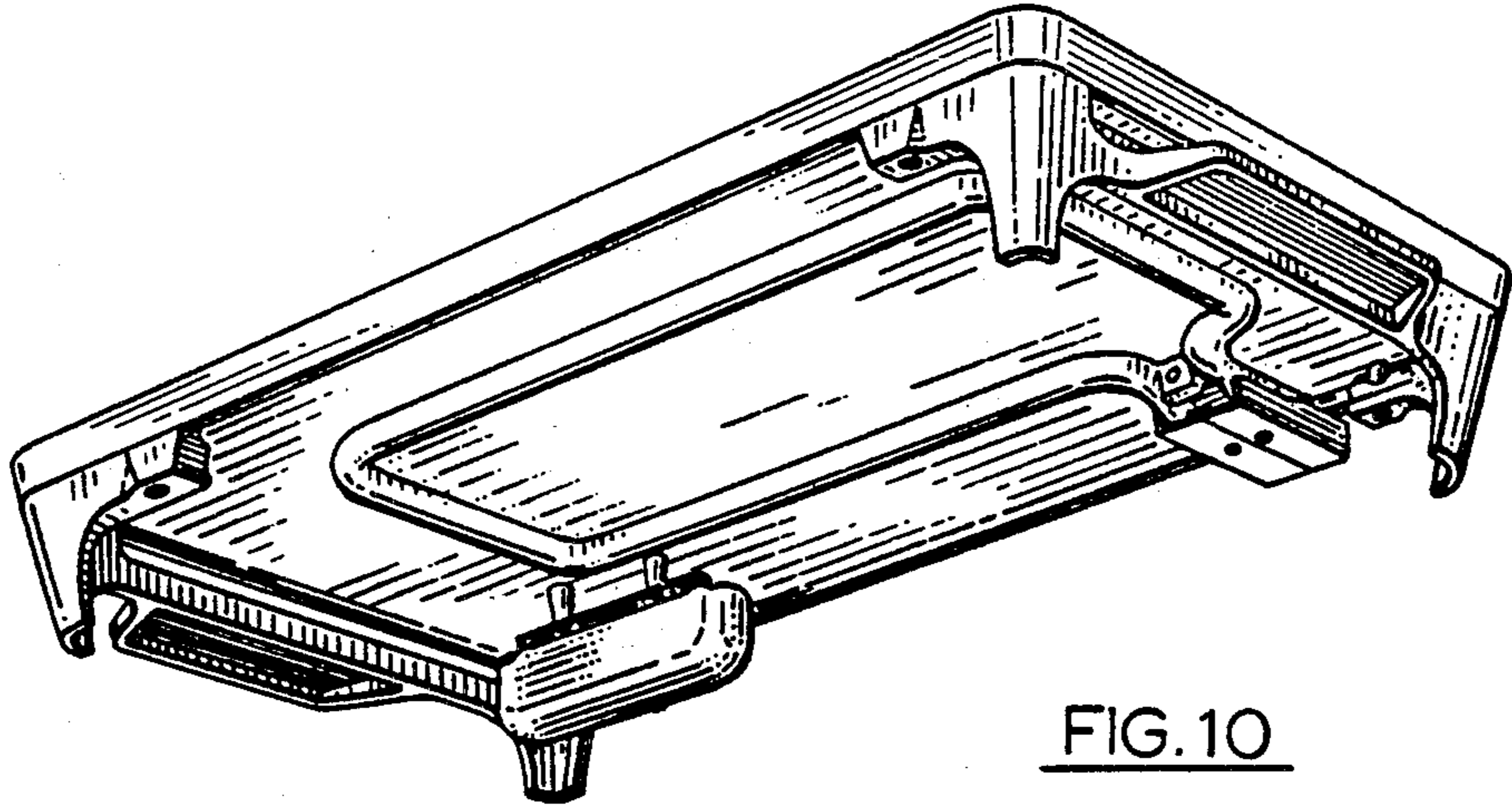


FIG. 10

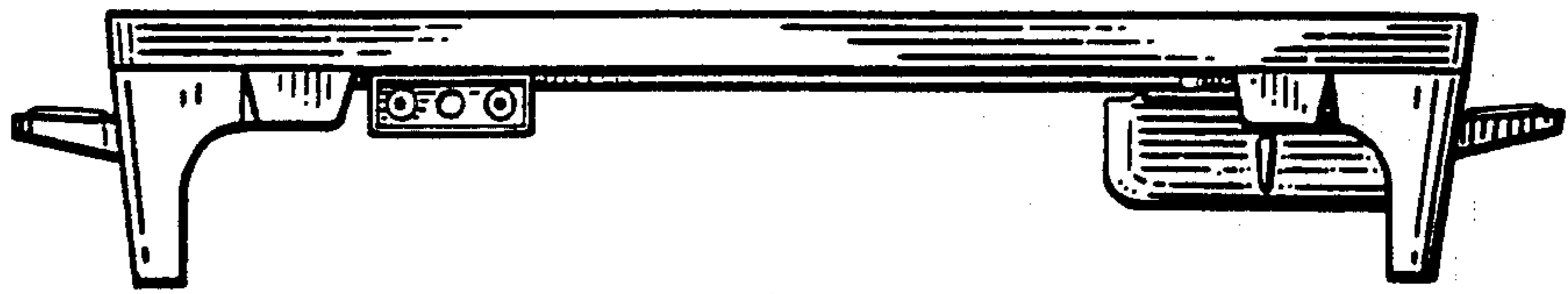


FIG. 11

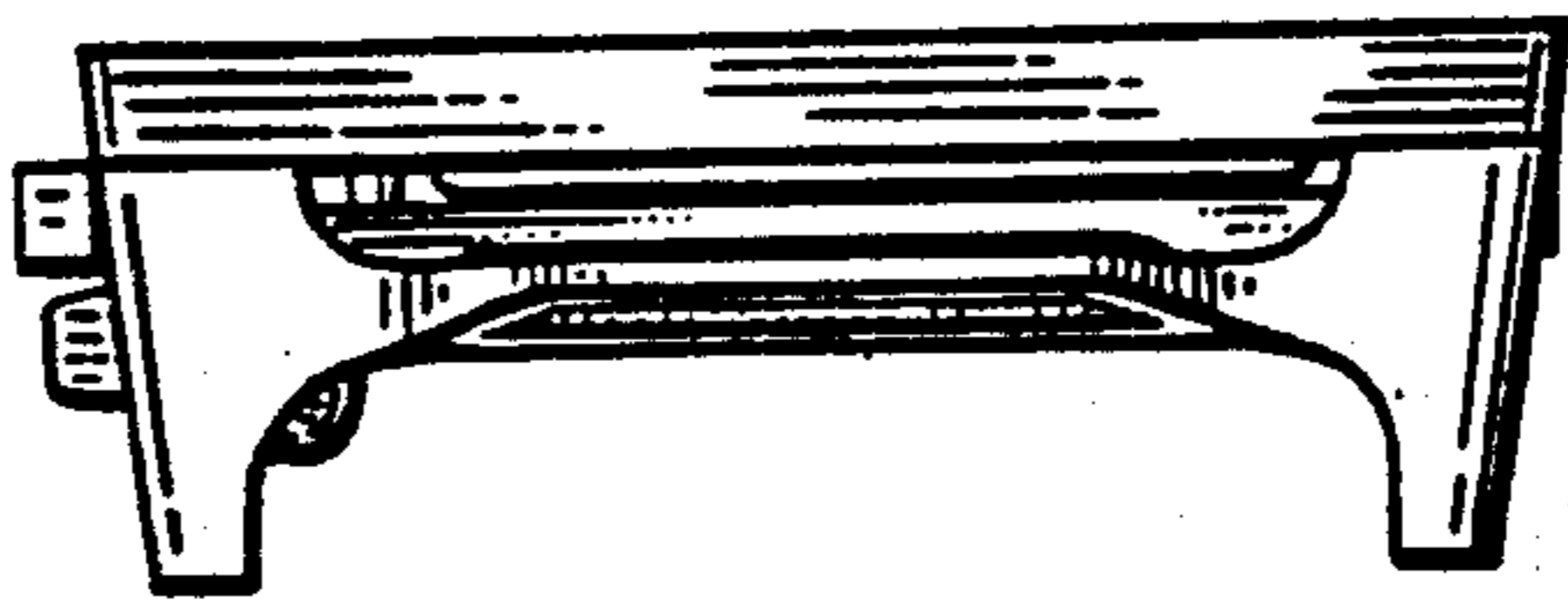


FIG. 12