

[54] COMBINED BARBECUE AND CART THEREFOR

[76] Inventor: David A. Emring, 275 Montego Dr., St. Peters, Mo. 63376

[\*\*] Term: 14 Years

[21] Appl. No.: 592,079

[22] Filed: Mar. 22, 1984

[52] U.S. Cl. .... D7/334

[58] Field of Search ..... D7/323, 331-332, D7/327, 334-347, 354, 387-388, 402-403; D9/325; 99/421-422; 126/25 A, 25 R, 29-30

[56] References Cited

U.S. PATENT DOCUMENTS

D. 237,856 12/1975 Madson ..... D7/332  
4,210,118 7/1980 Davis et al. .... 126/25 R

Primary Examiner—Wallace R. Burke  
Assistant Examiner—Ruth E. Takemoto

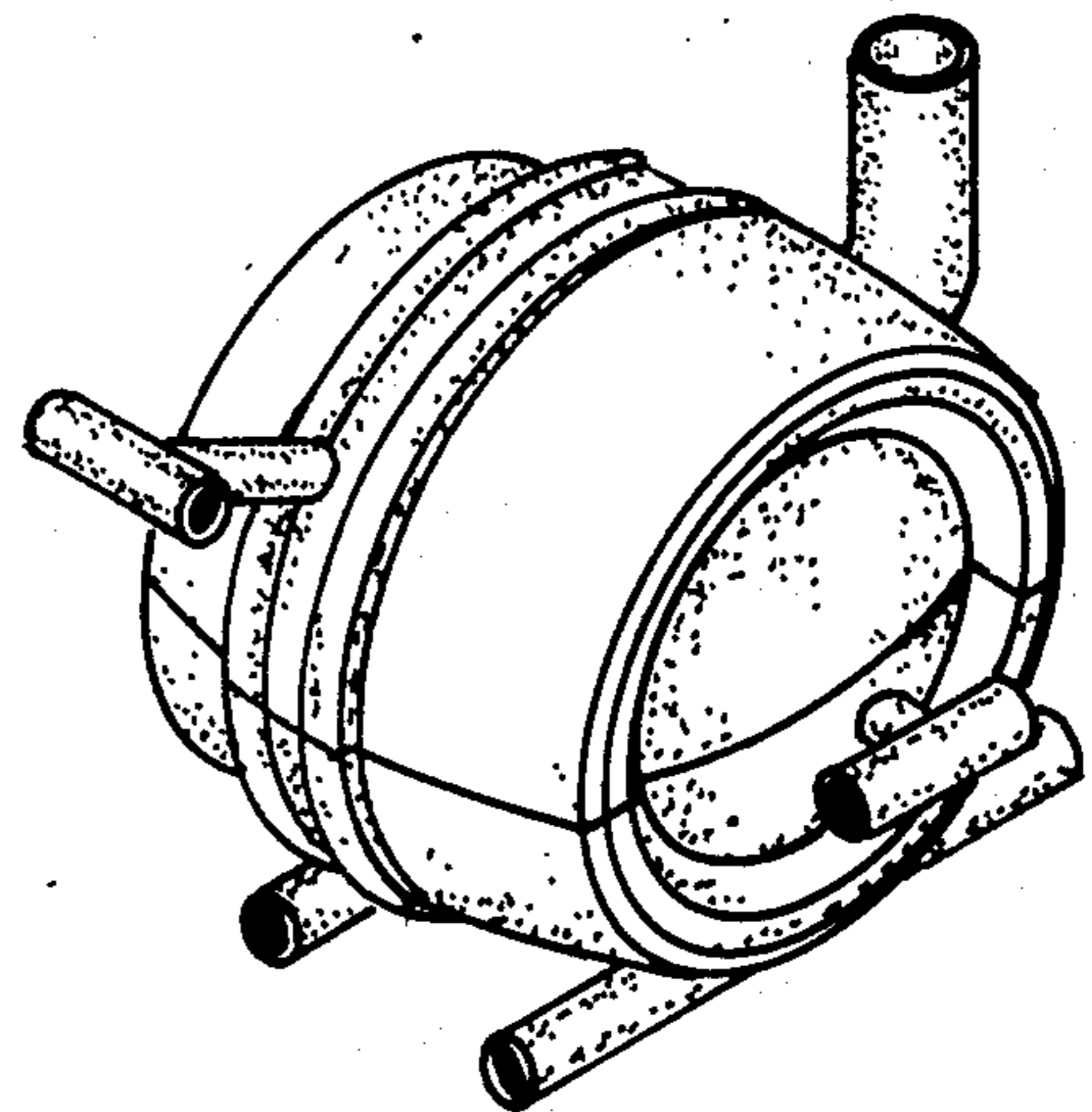
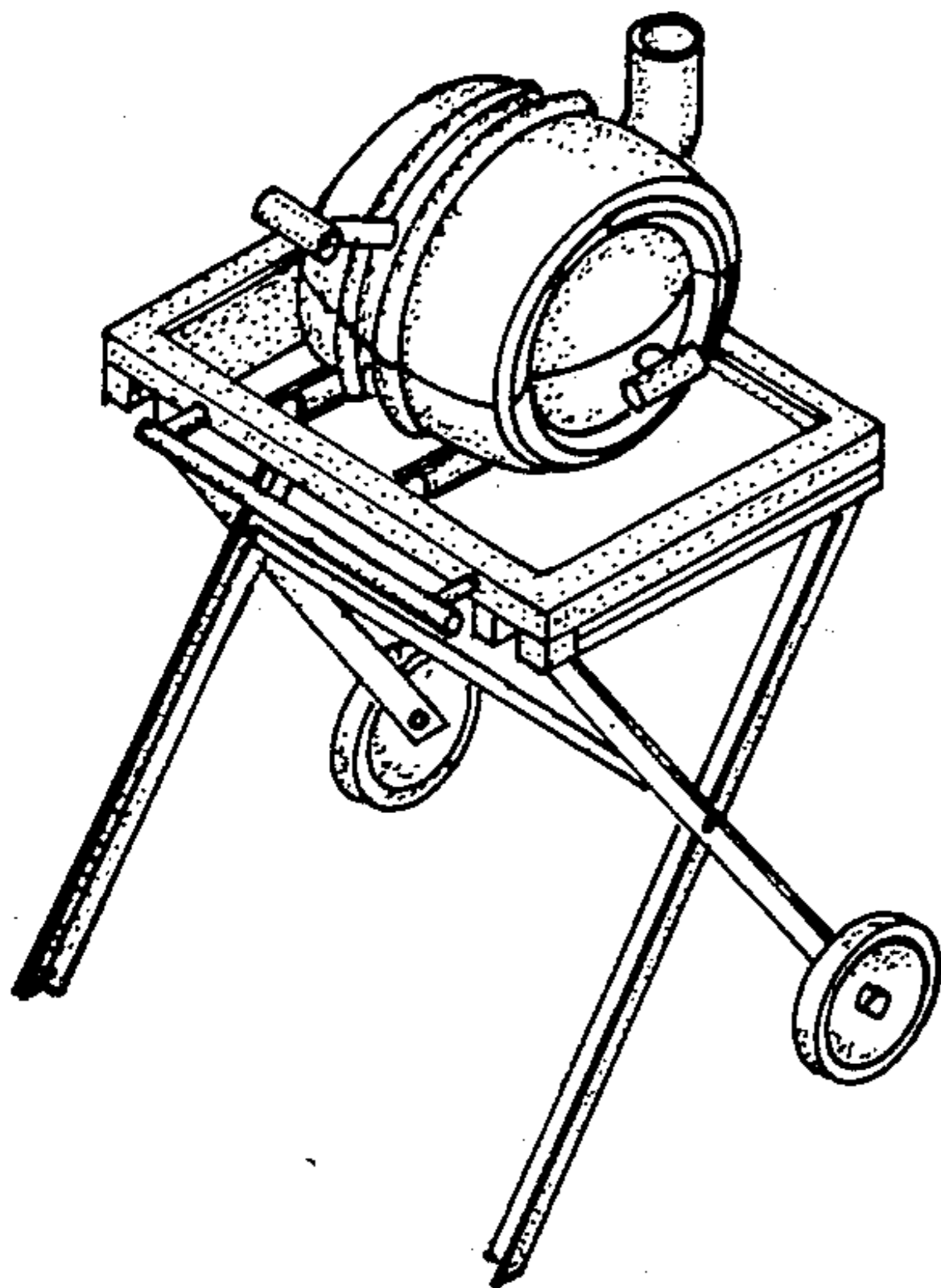
Attorney, Agent, or Firm—Paul M. Denk

[57] CLAIM

The ornamental design for a combined barbecue and cart therefor, as shown and described.

DESCRIPTION

FIG. 1 is an isometric view of a combined barbecue and cart therefor showing my new design;  
FIG. 2 is a top plan view thereof;  
FIG. 3 is a bottom plan view thereof;  
FIG. 4 is a front elevational view thereof;  
FIG. 5 is an elevational view of the right side, the left side view being a mirror image thereof;  
FIG. 6 is an isometric view of the barbecue, with the cart omitted for clarity of illustration only;  
FIG. 7 is a top plan view thereof as shown in FIG. 6;  
FIG. 8 is an elevational view of the left side thereof;  
FIG. 9 is a bottom plan view thereof;  
FIG. 10 is an elevational view of the right side thereof;  
FIG. 11 is a front elevational view thereof; and  
FIG. 12 is a rear elevational view thereof.



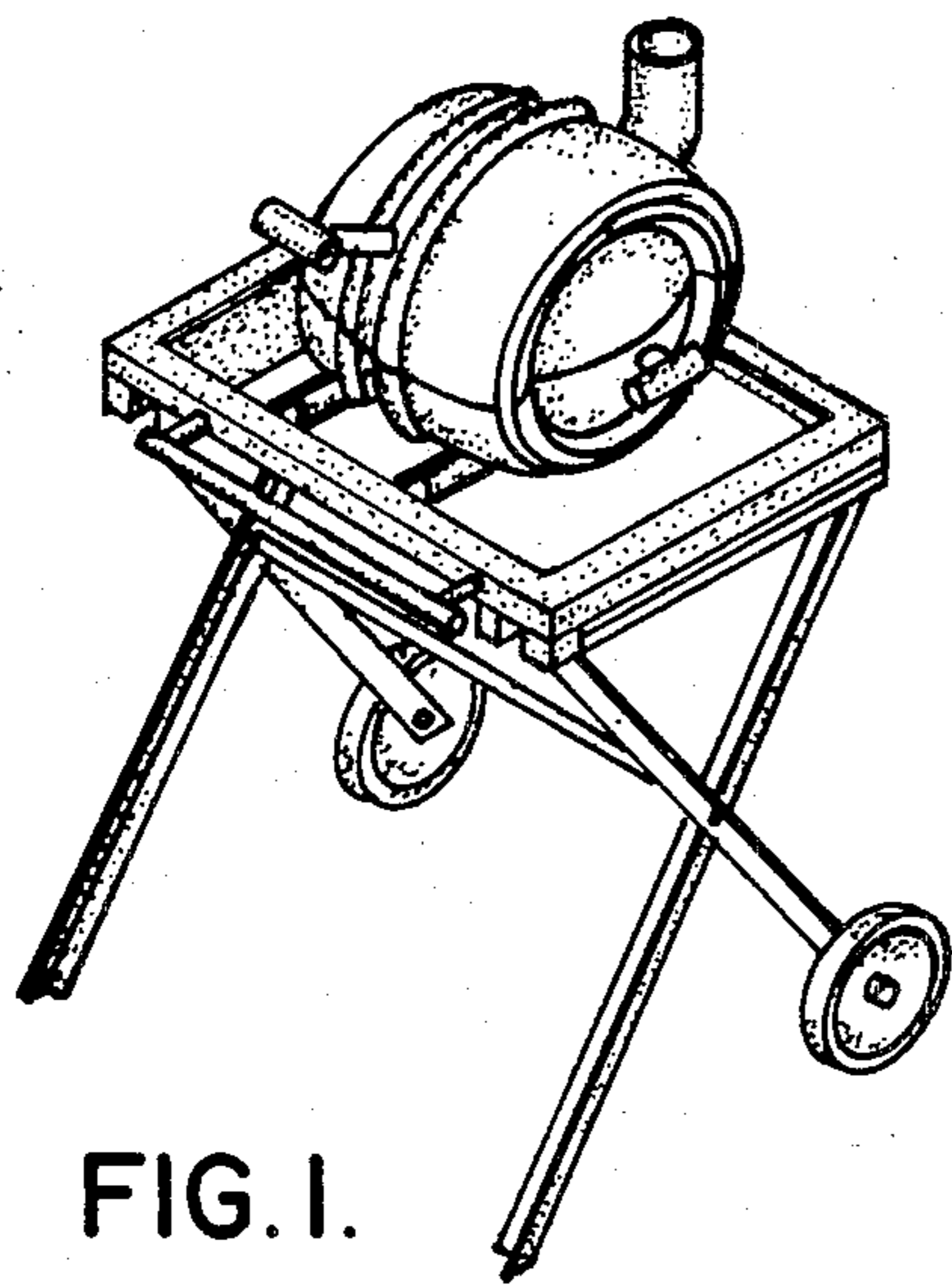


FIG. 1.

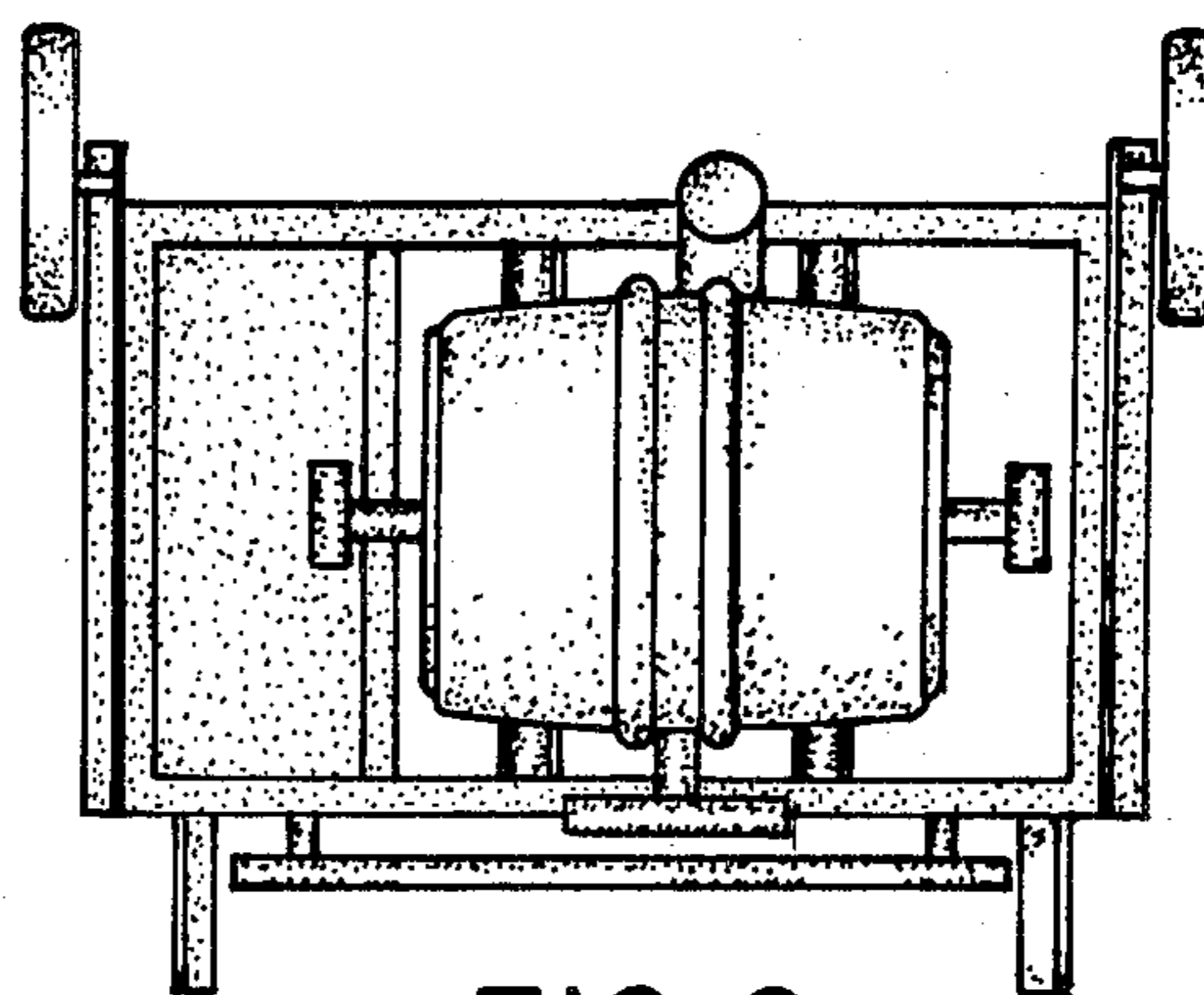


FIG. 2.

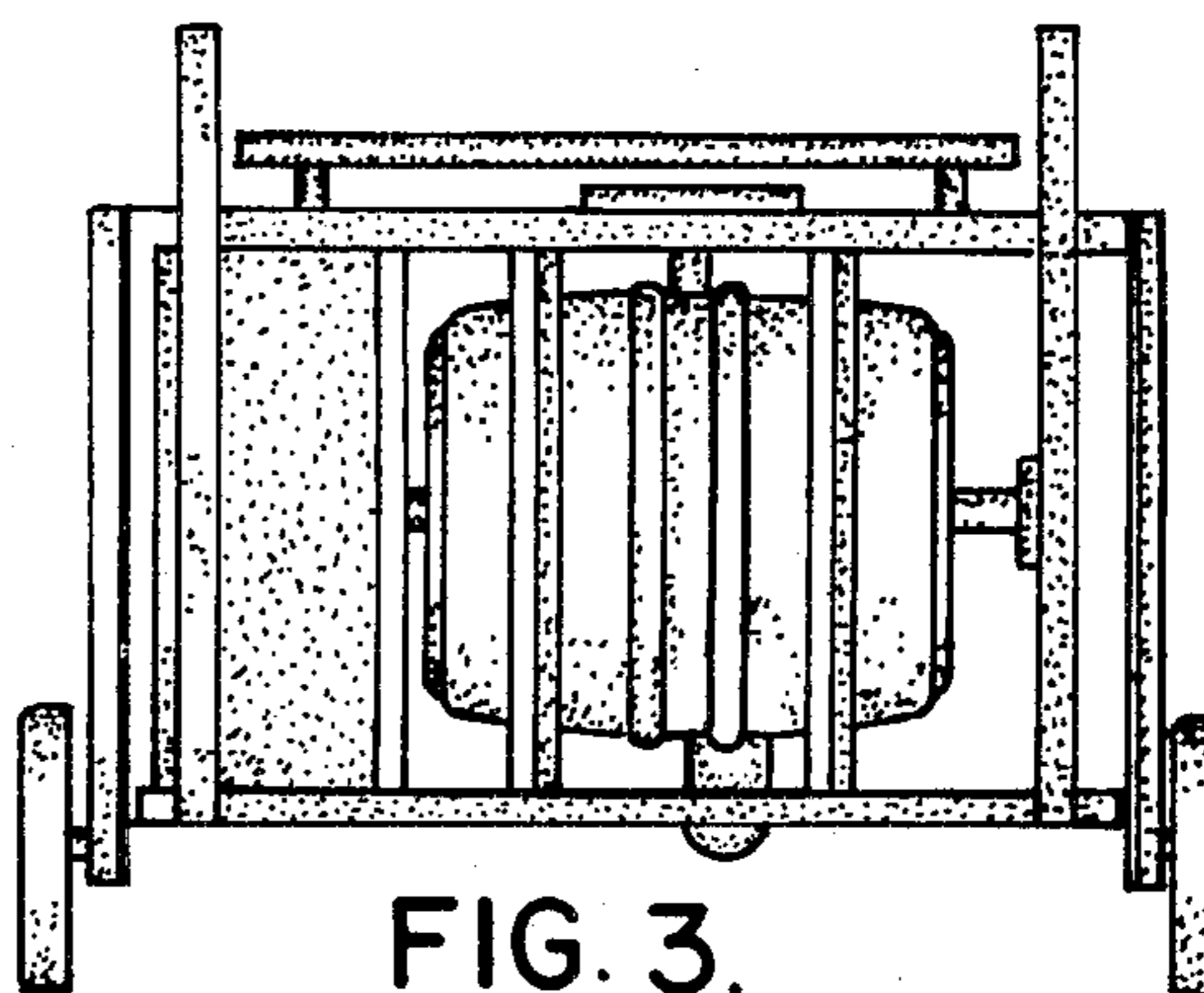


FIG. 3.

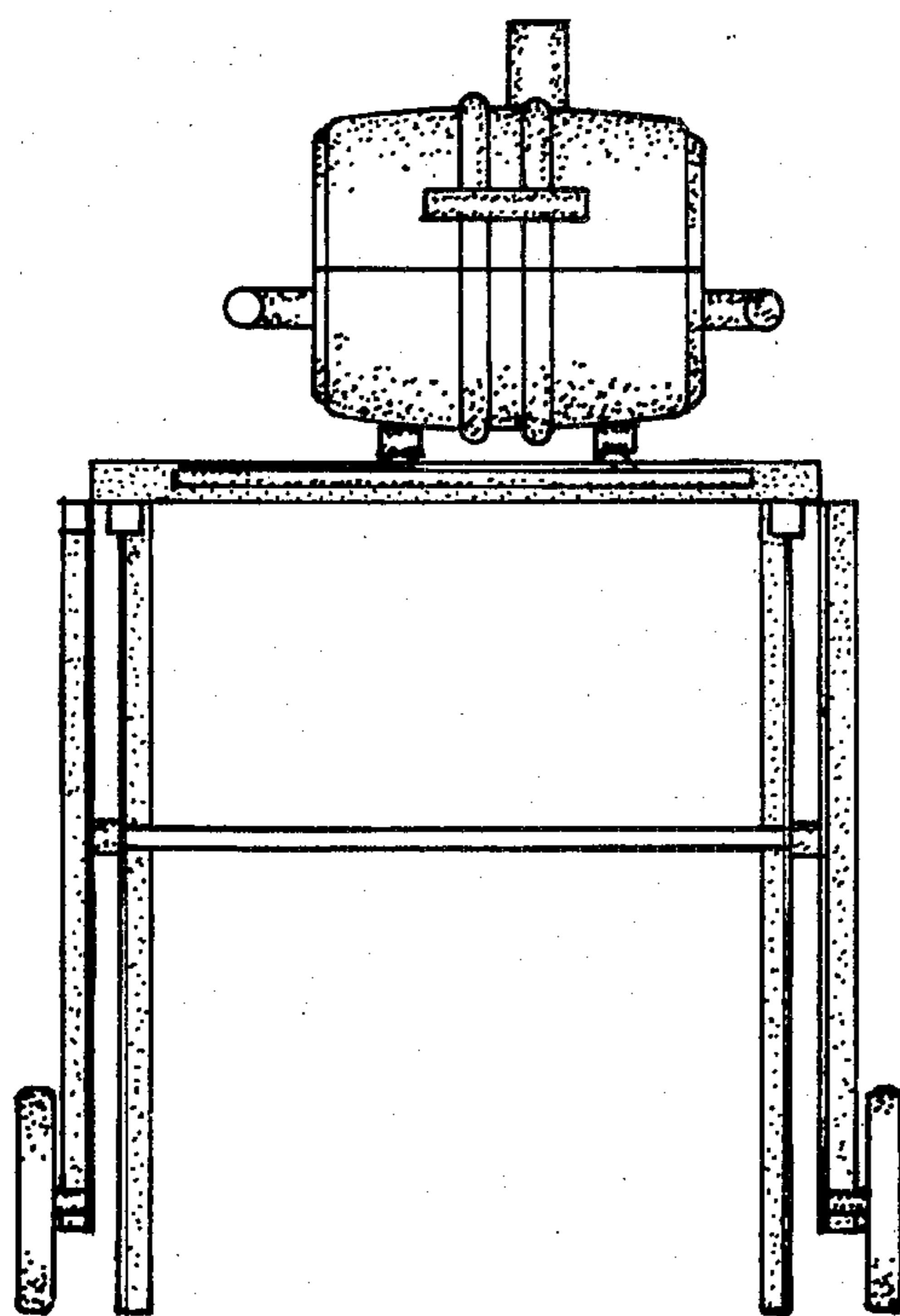


FIG. 4.

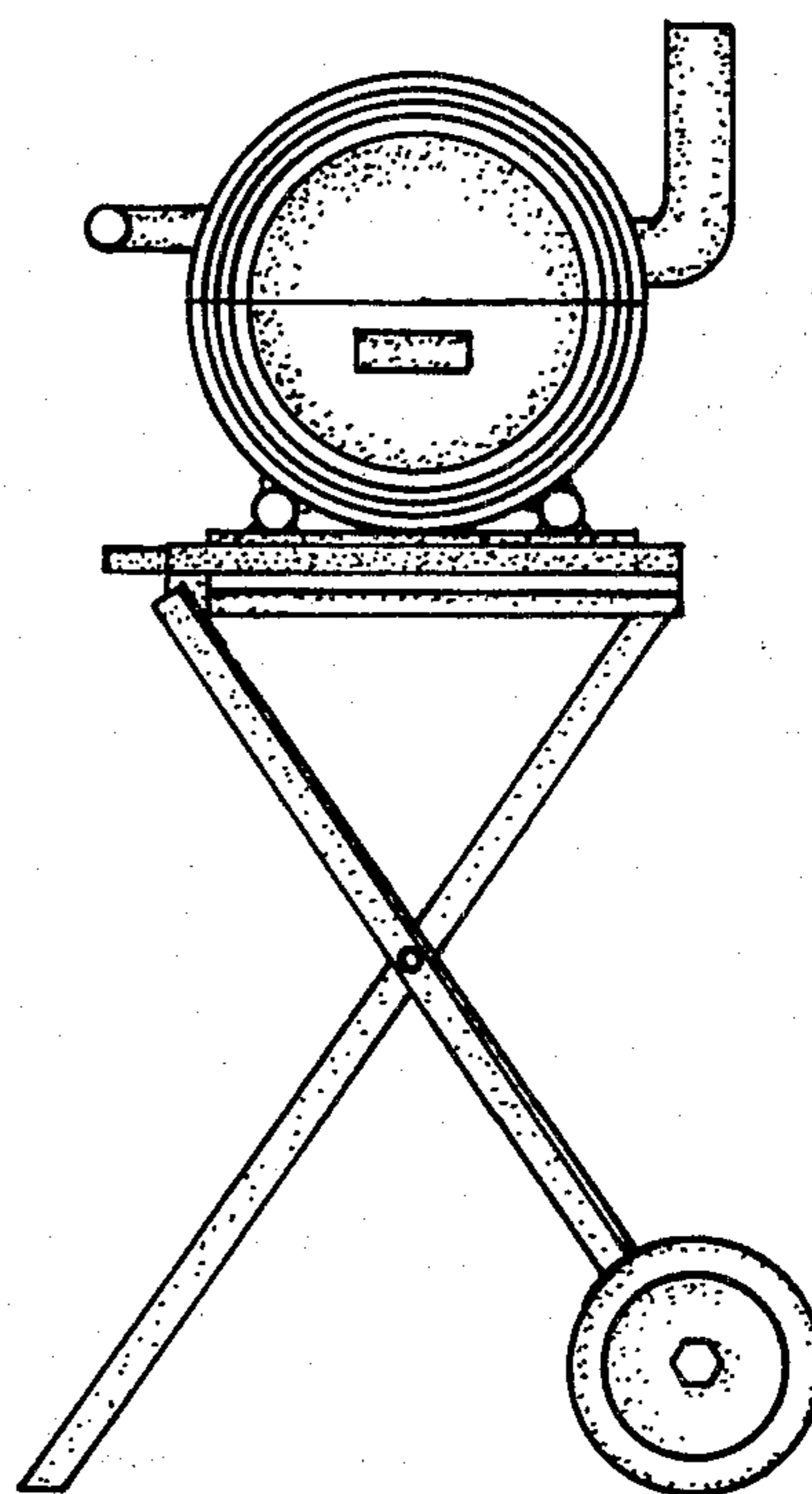


FIG. 5.

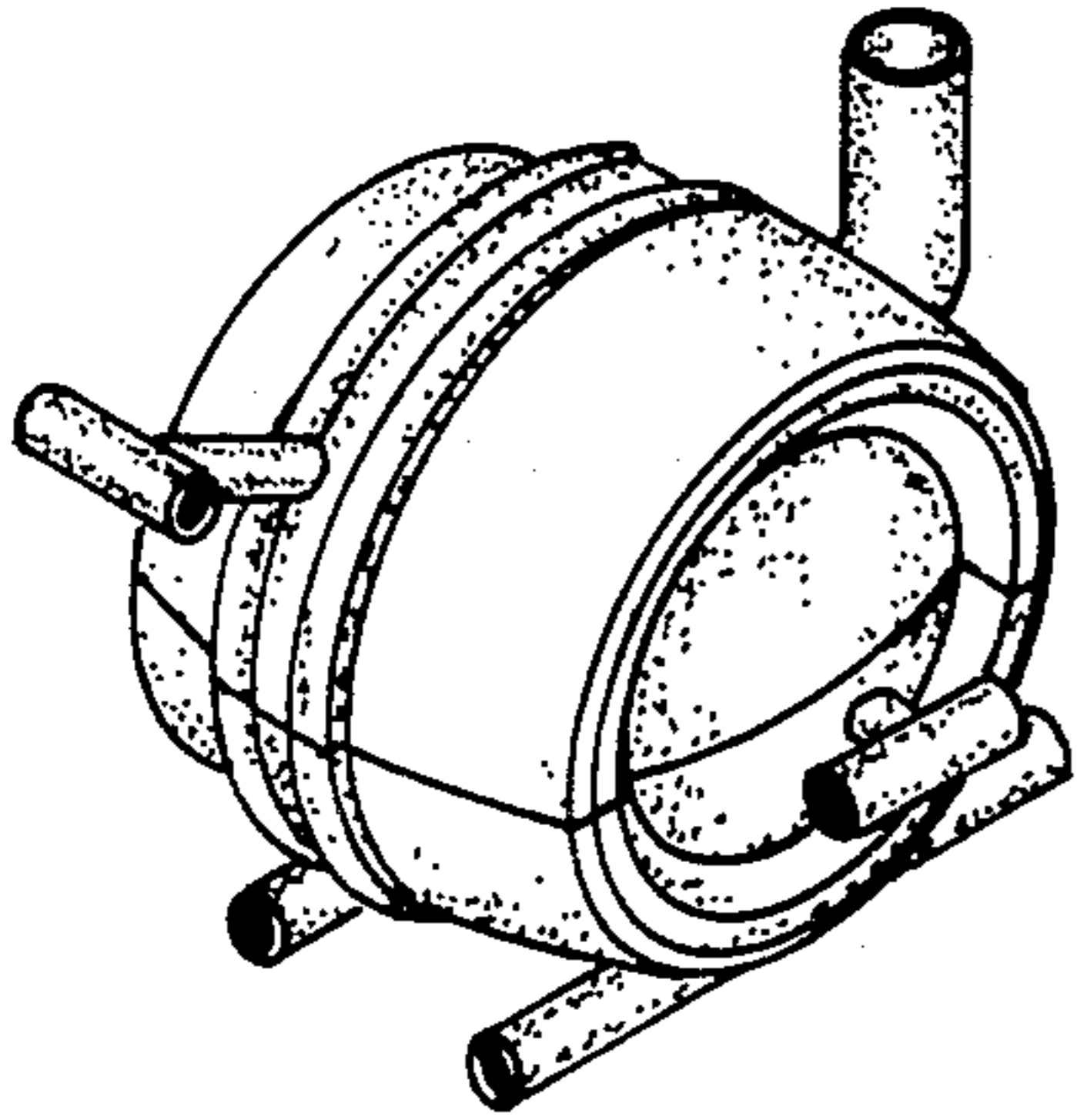


FIG. 6.

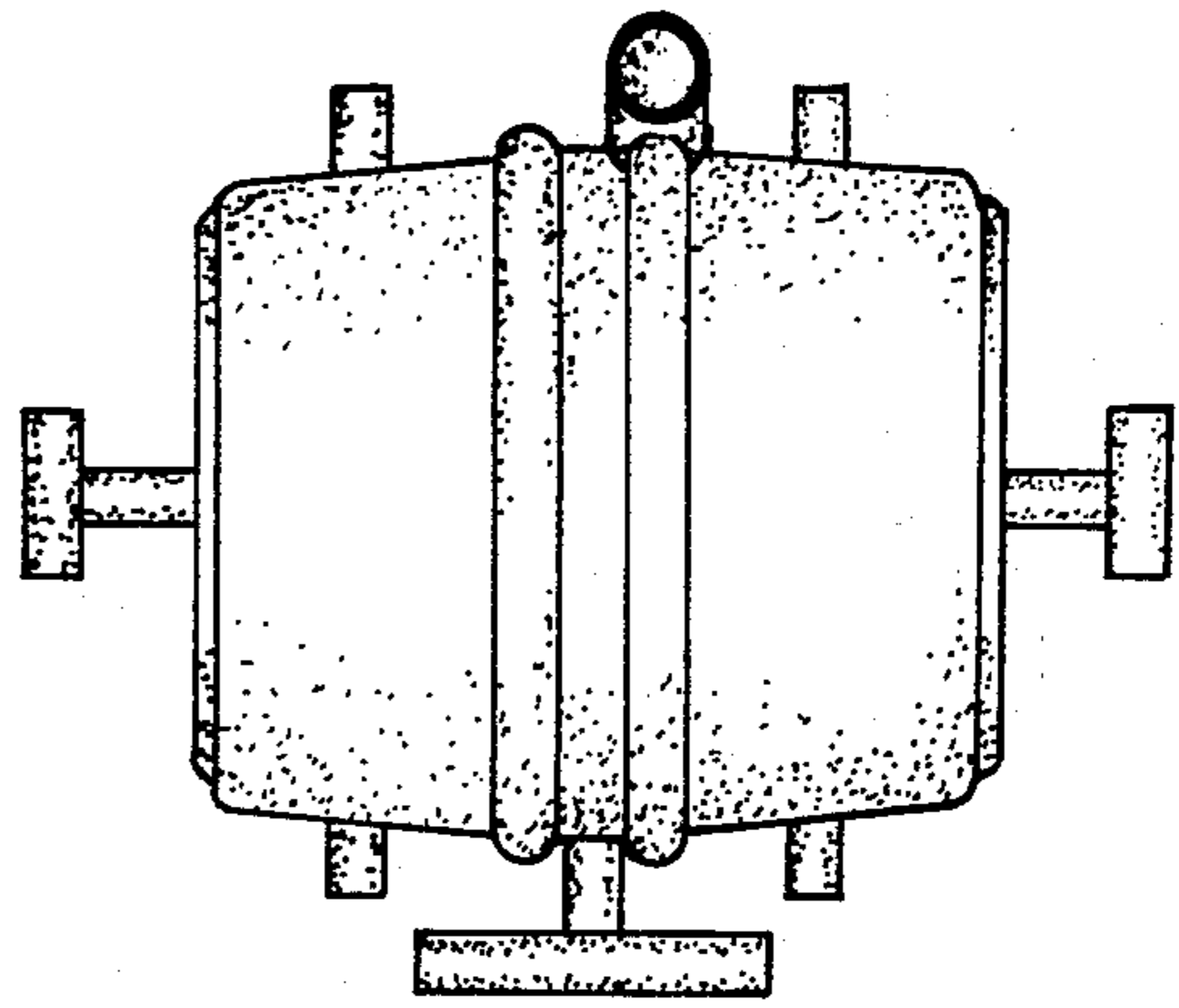


FIG. 7.

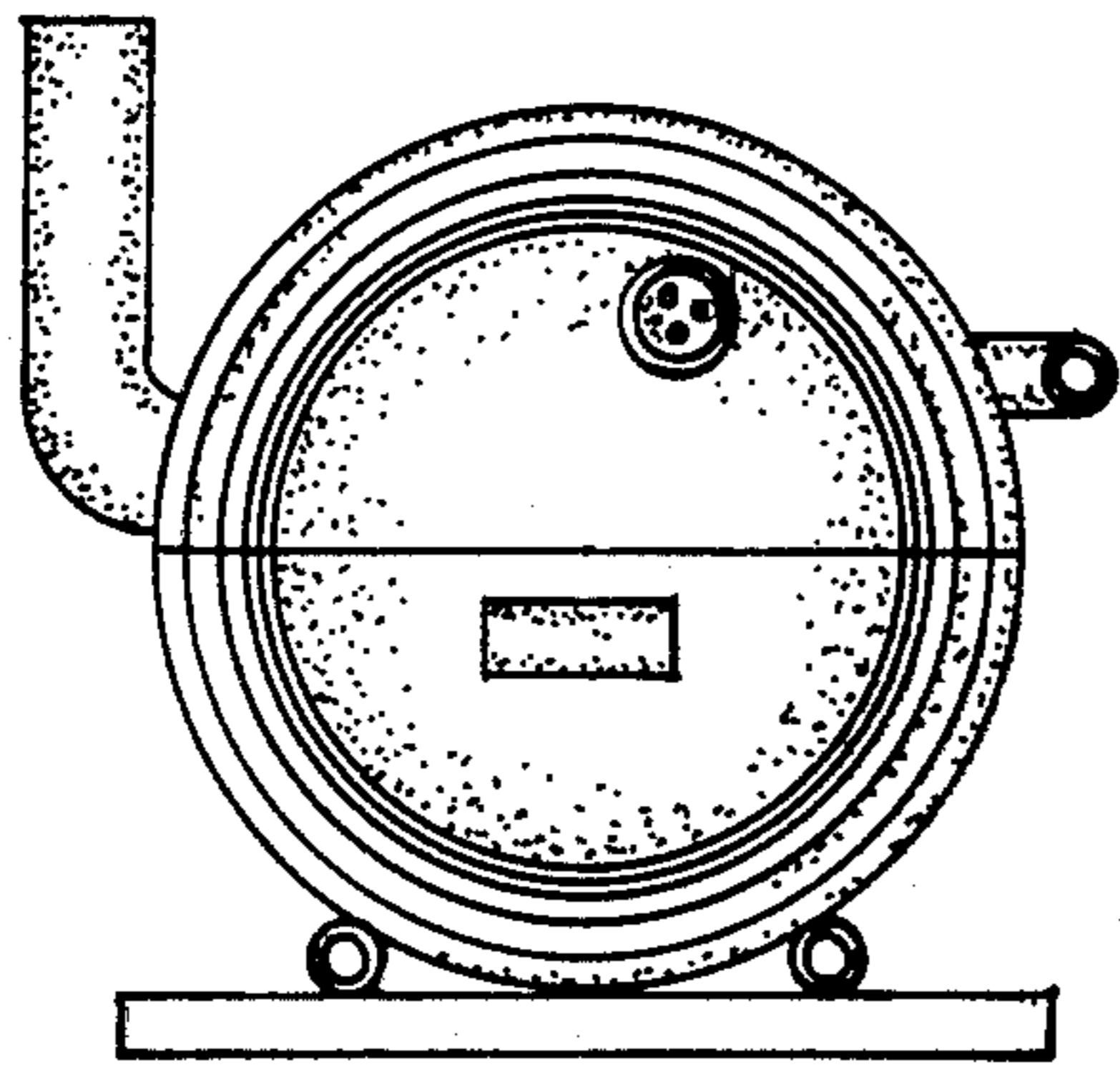


FIG. 8.

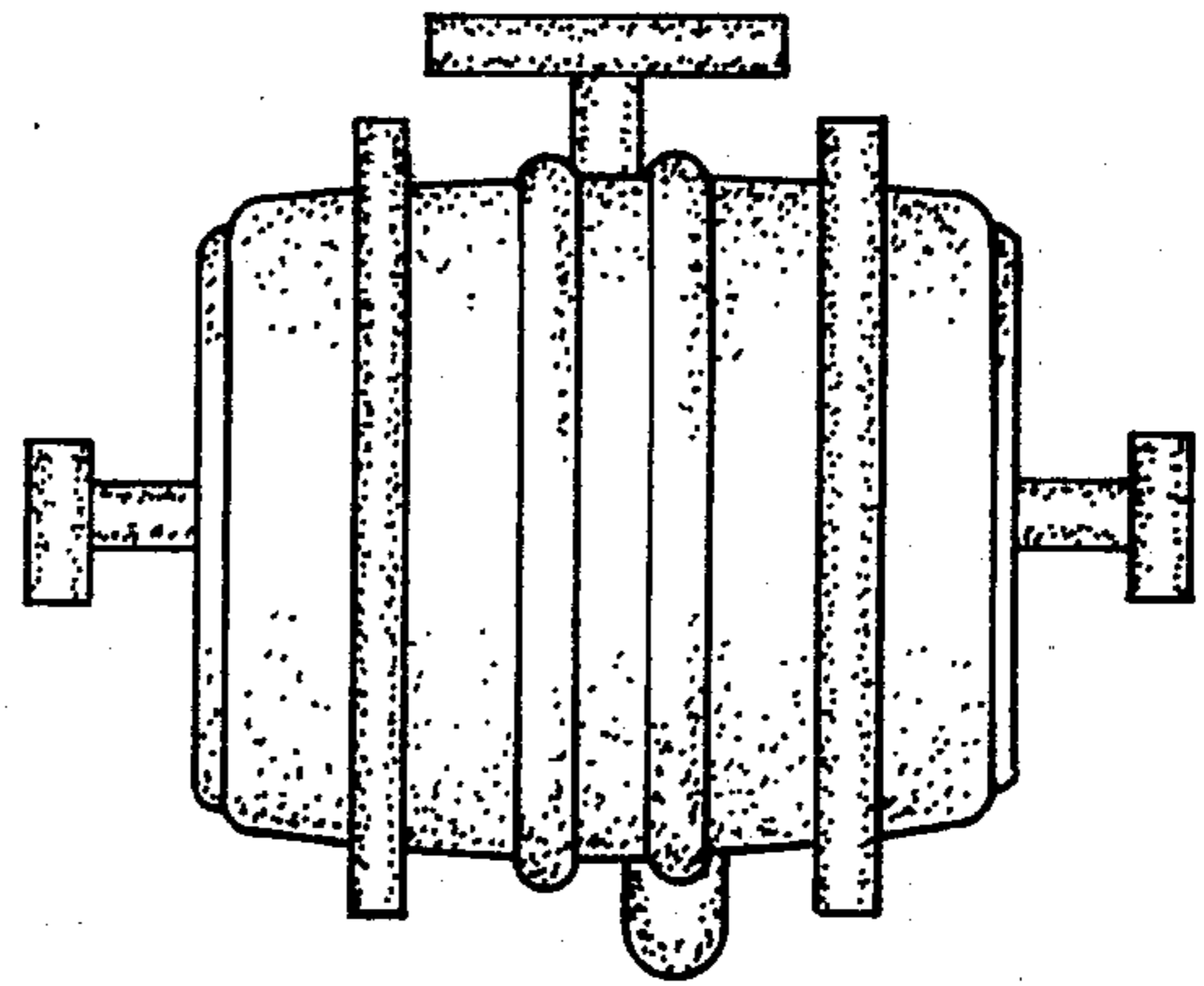


FIG. 9.

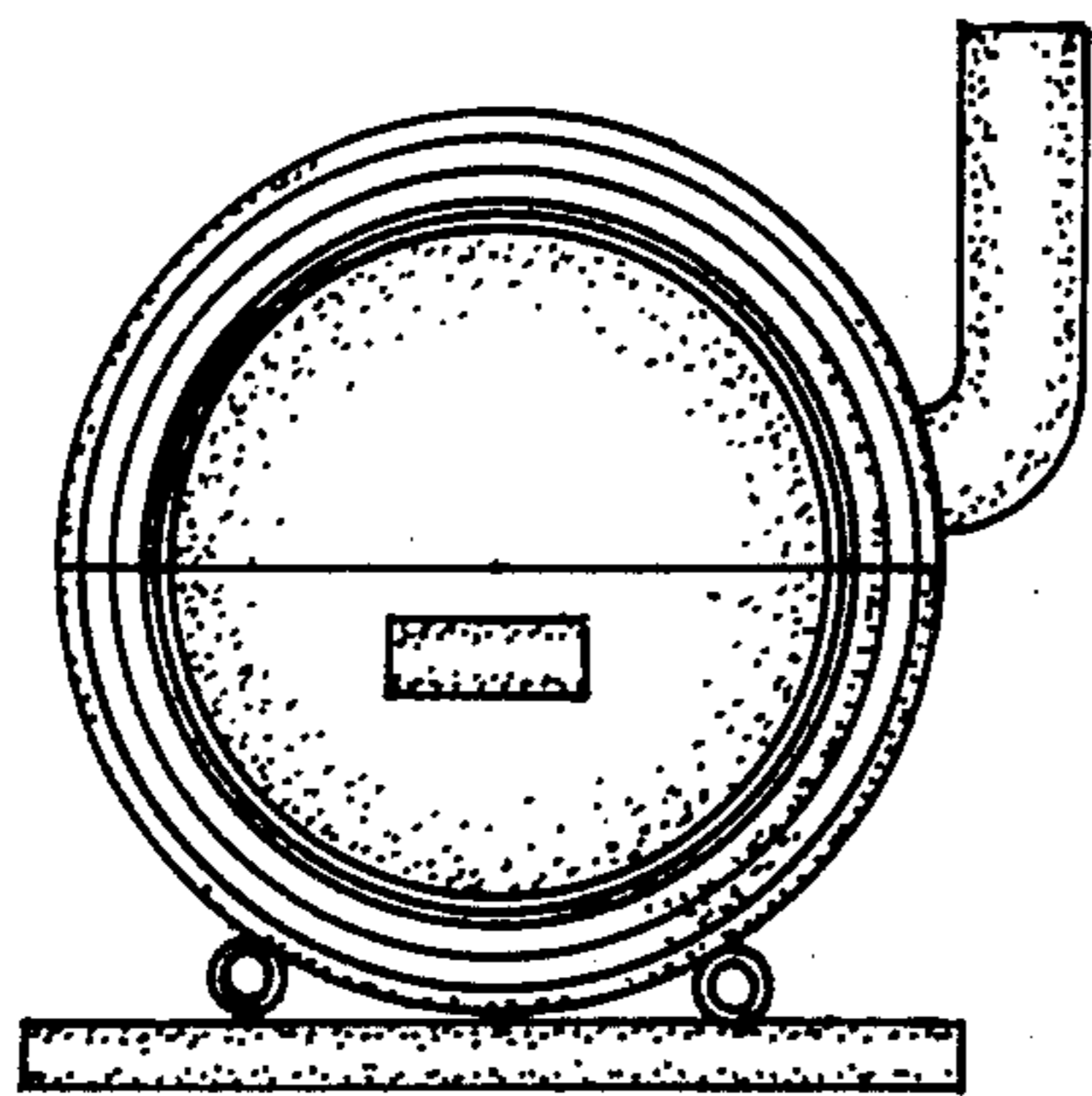


FIG. 10.

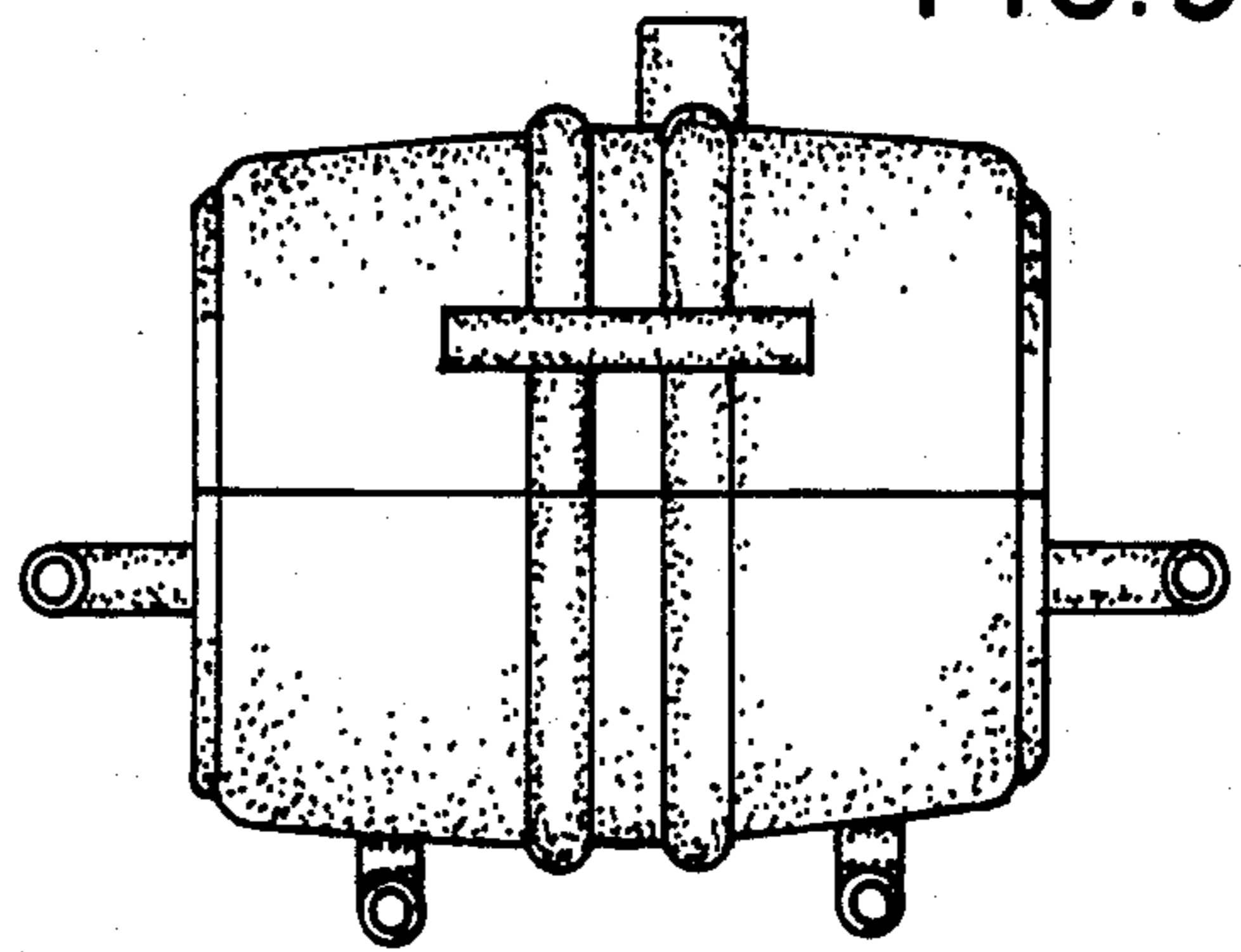


FIG. 11.

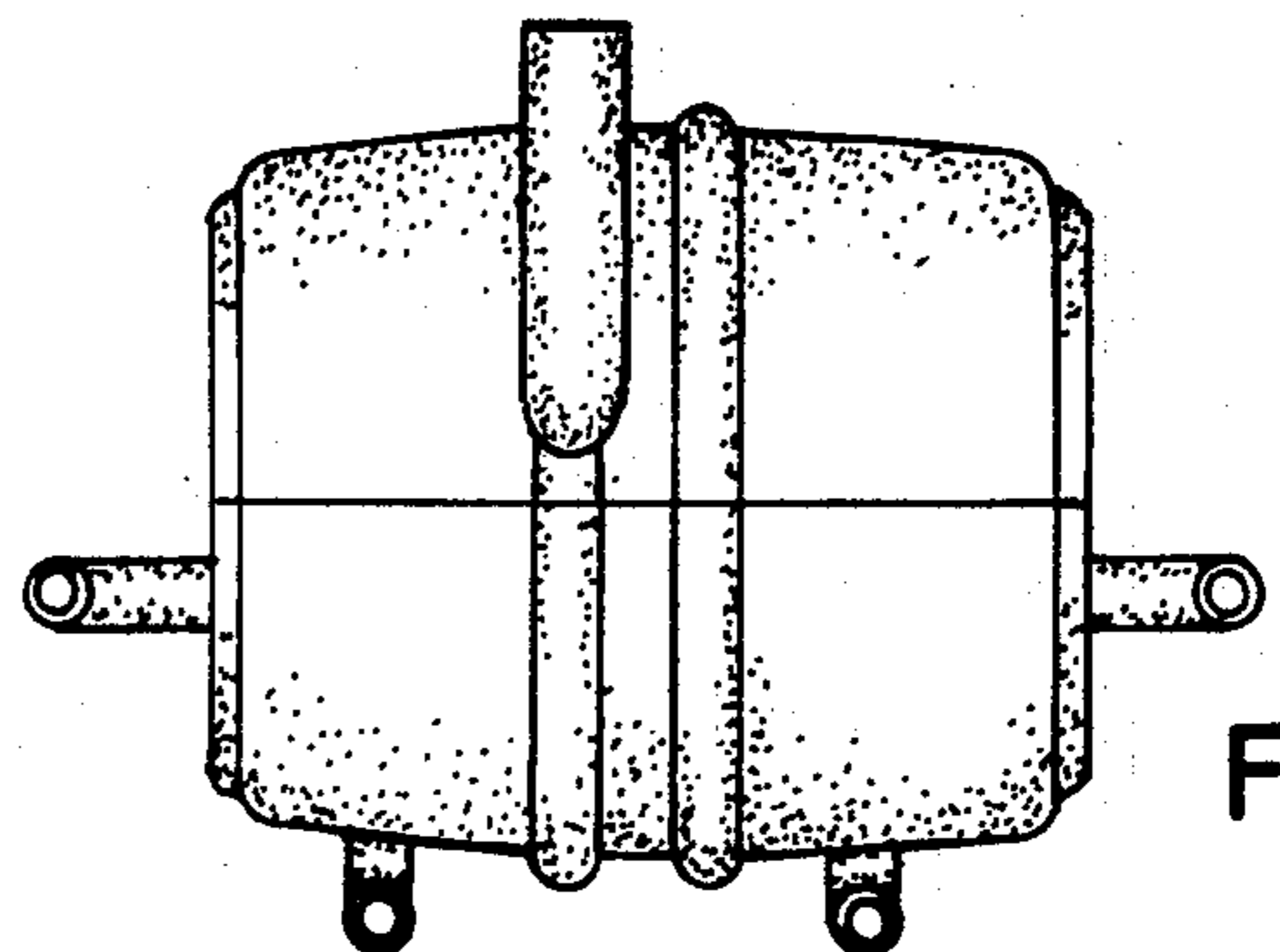


FIG. 12.