

[54] DISPLAY CABINET

[76] Inventor: Roy A. Honermann, 603 Pennsylvania Ave., Adrian, Minn. 56110

[\*\*] Term: 14 Years

[21] Appl. No.: 660,321

[22] Filed: Oct. 12, 1984

[52] U.S. Cl. .... D6/559

[58] Field of Search ..... D6/300, 308, 309, 512, D6/524, 553, 555, 559, 560, 561; 312/21, 242, 245, 248, 313

[56] References Cited

U.S. PATENT DOCUMENTS

D. 236,307	8/1975	Dransart	.....	D6/561
D. 243,491	3/1977	Vrignaud	.....	D6/561
D. 250,623	12/1978	Albert	.....	D6/560
D. 250,624	12/1978	Albert	.....	D6/560

OTHER PUBLICATIONS

Nutone Bath Cabinets, 1979, p. L27, Bath Cabinet #TL-28, located in upper right side of page.

Primary Examiner—B. J. Bullock  
Assistant Examiner—Suzanne N. Gitlin  
Attorney, Agent, or Firm—Merchant, Gould, Smith, Edell, Welter & Schmidt

[57] CLAIM

The ornamental design for a display cabinet, substantially as shown and described.

DESCRIPTION

FIG. 1 is a front, top and left side perspective view of a display cabinet showing my new design;  
FIG. 2 is an enlarged top plan view thereof;  
FIG. 3 is an enlarged front elevational view thereof;  
FIG. 4 is an enlarged side elevational view taken from the right of FIG. 1;  
FIG. 5 is an enlarged rear elevational view thereof;  
FIG. 6 is an enlarged bottom plan view thereof;  
FIG. 7 is a front, top and left side perspective view of a second embodiment of FIG. 1;  
FIG. 8 is an enlarged front elevational view of FIG. 7;  
FIG. 9 is an enlarged rear elevational view of FIG. 7;  
FIG. 10 is an enlarged side elevational view taken from the right of FIG. 7;  
FIG. 11 is an enlarged top plan view of FIG. 7;  
FIG. 12 is an enlarged bottom plan view of FIG. 7.

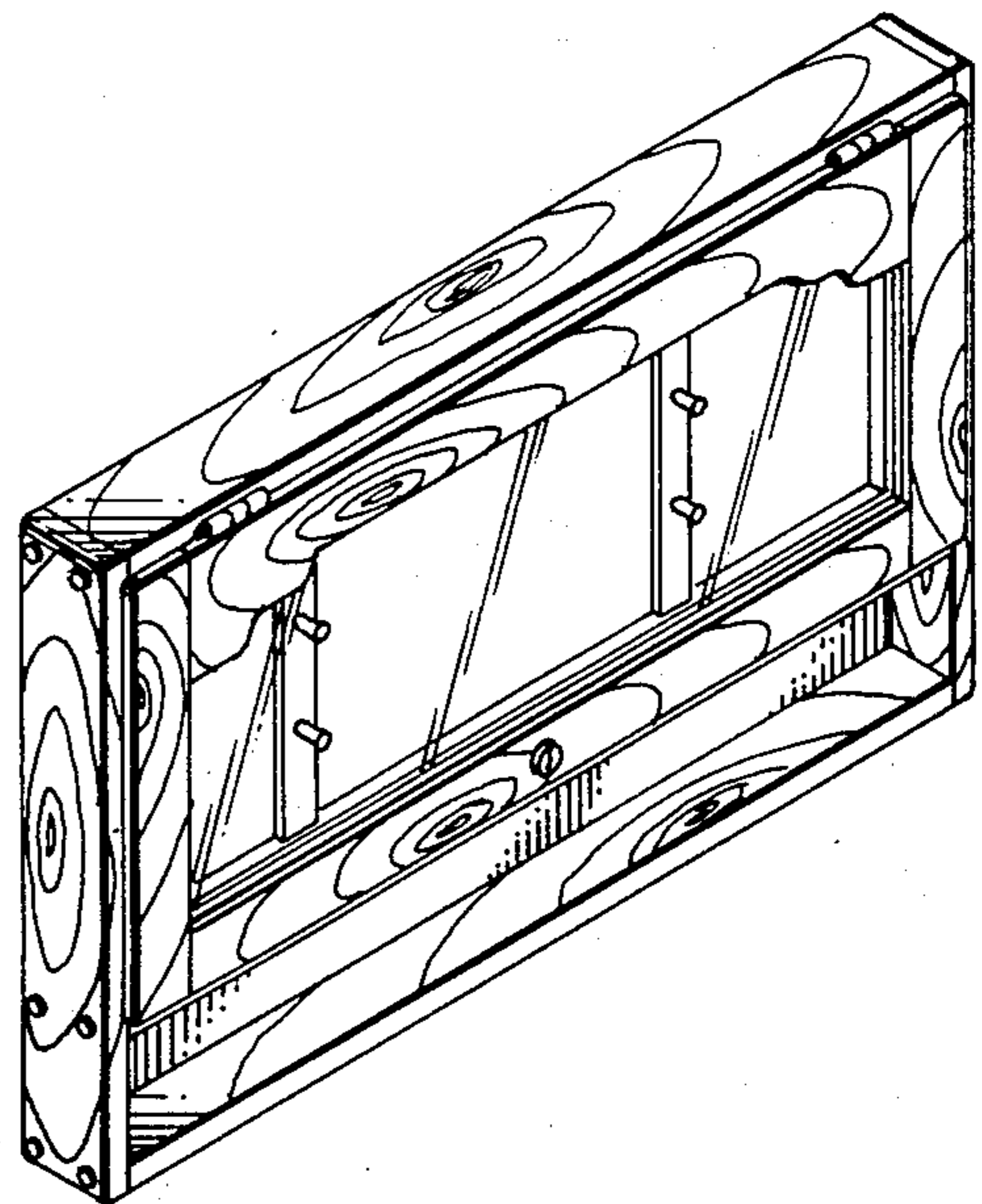
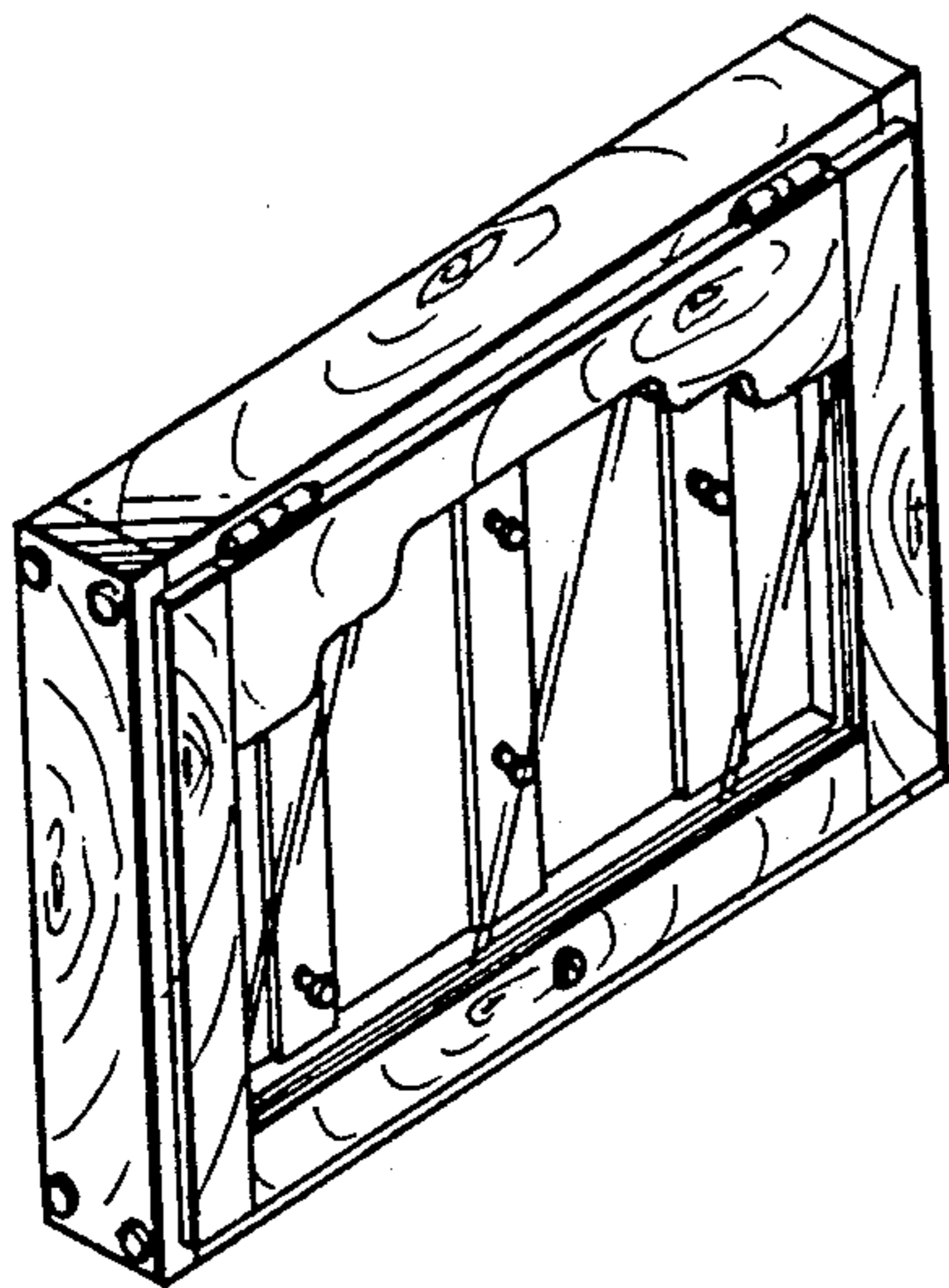


FIG. 1

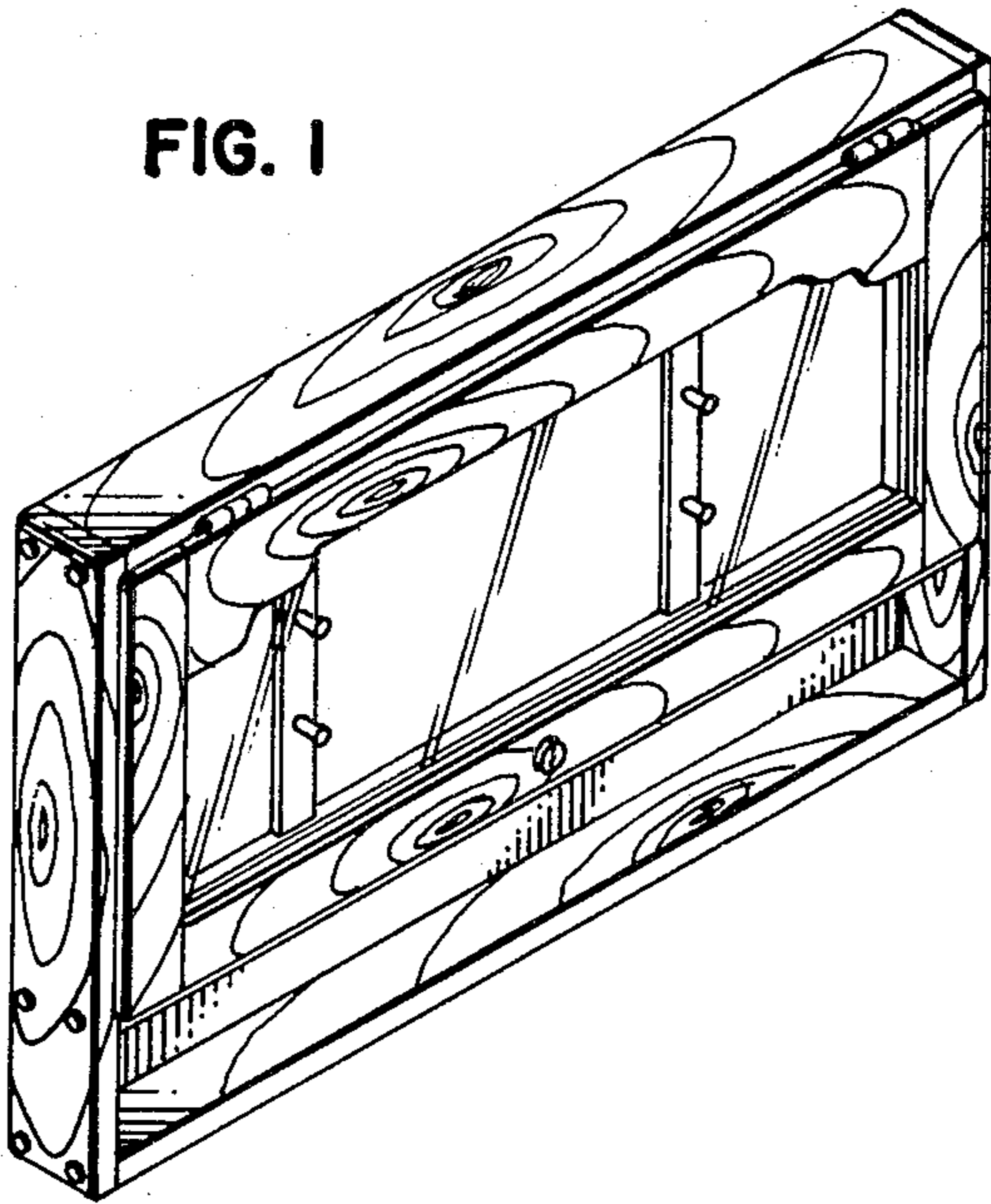


FIG. 2

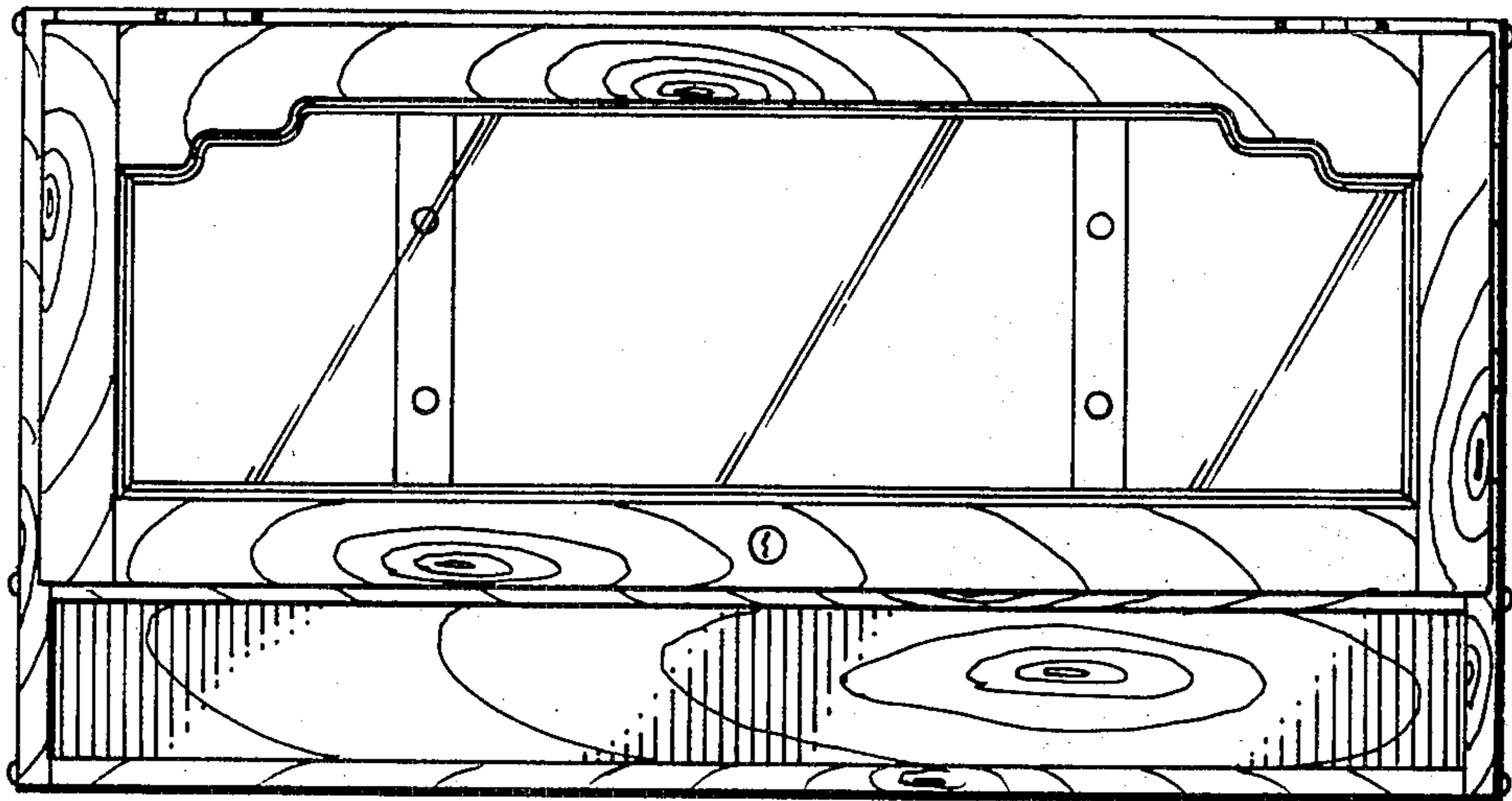
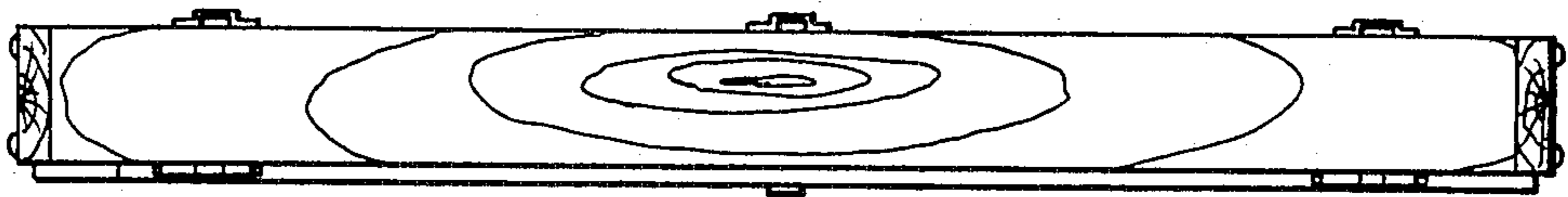


FIG. 3

FIG. 5

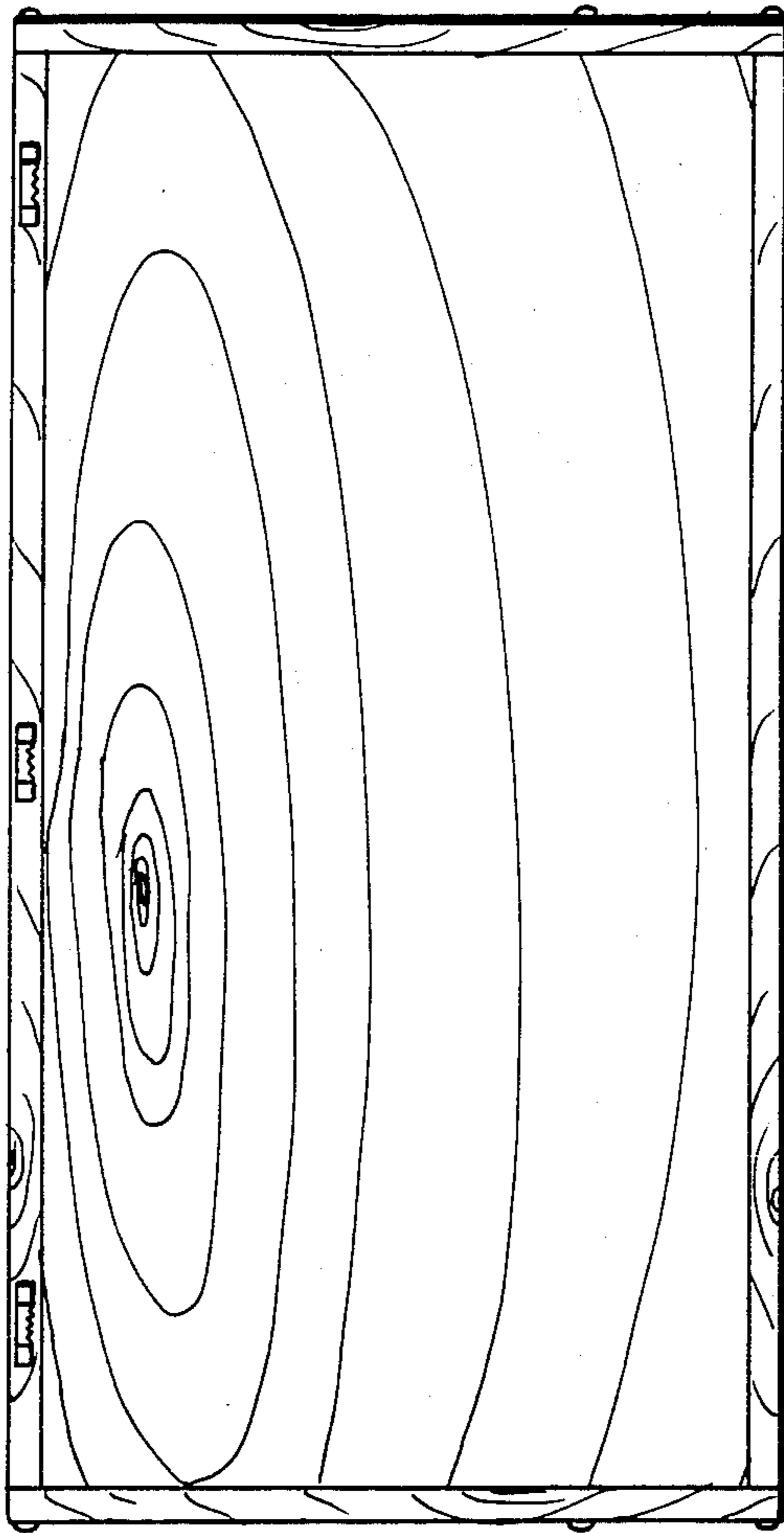


FIG. 4

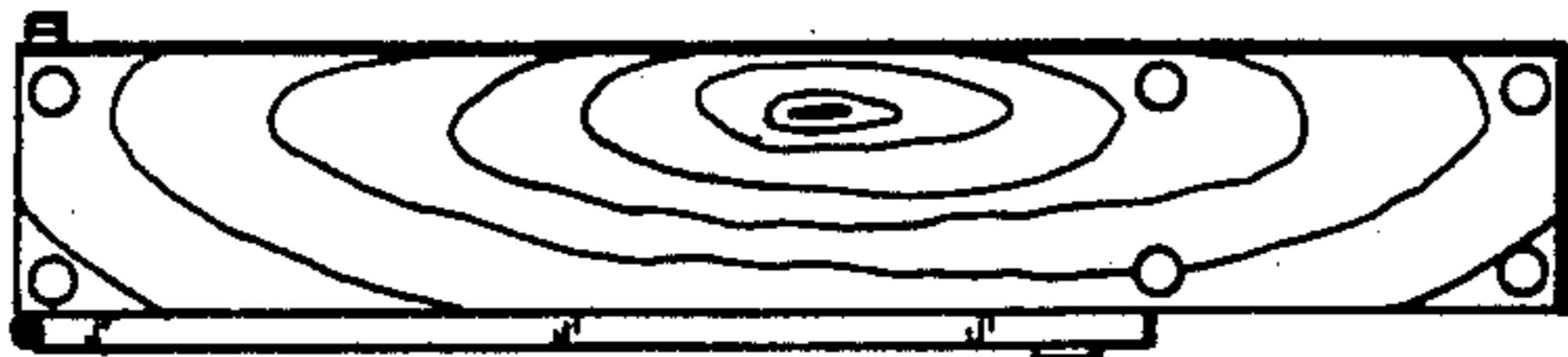


FIG. 6

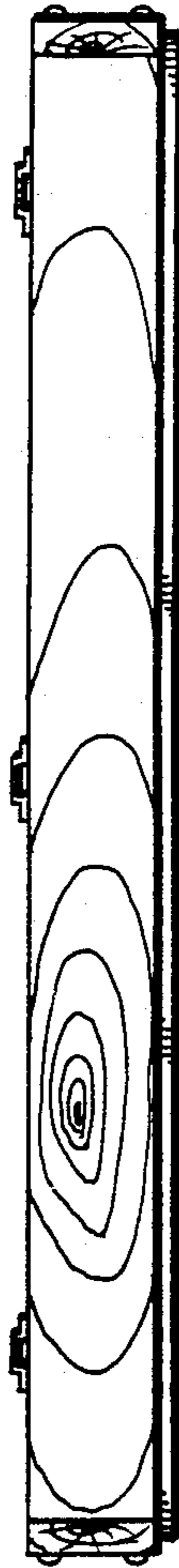




FIG. 7

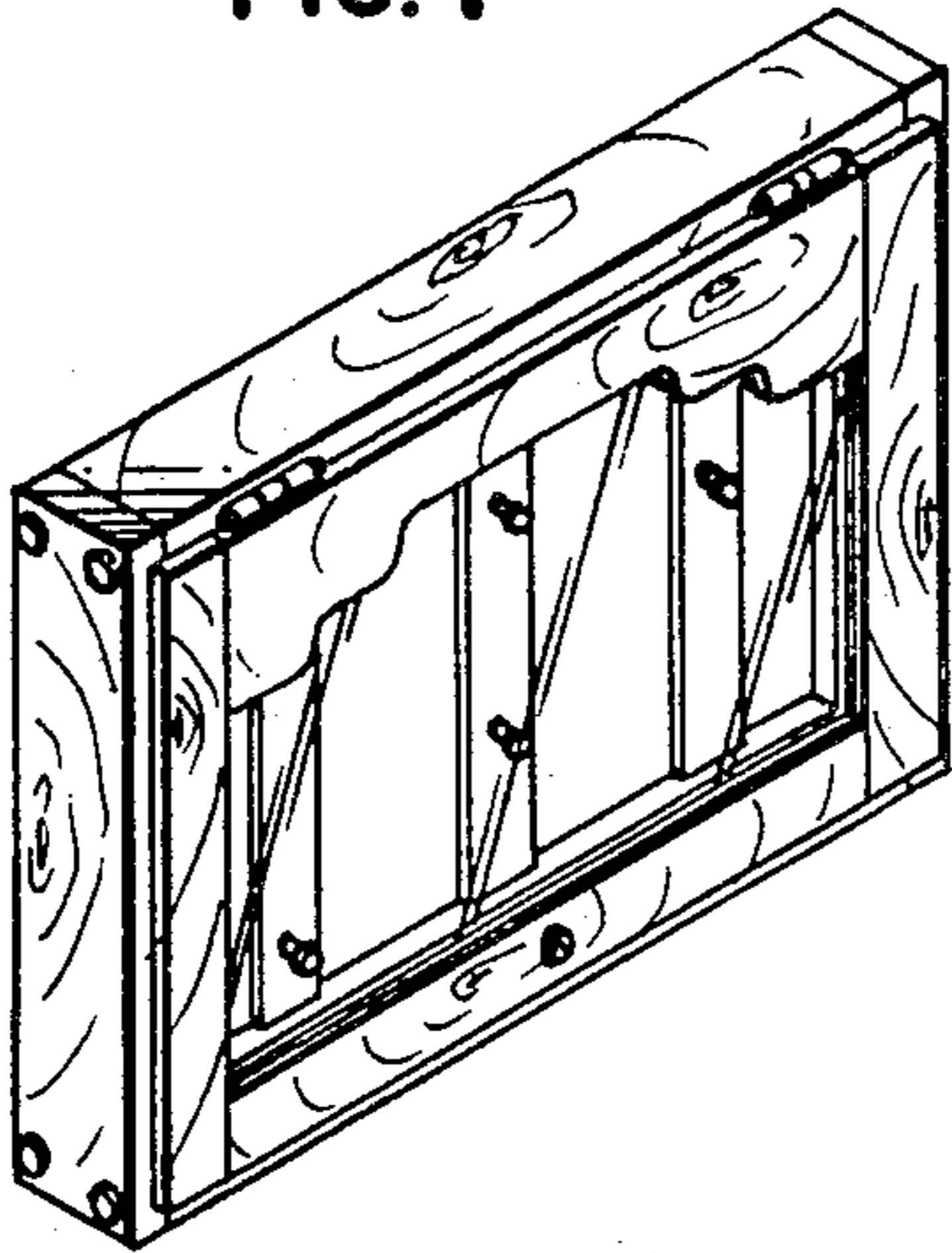


FIG. 8

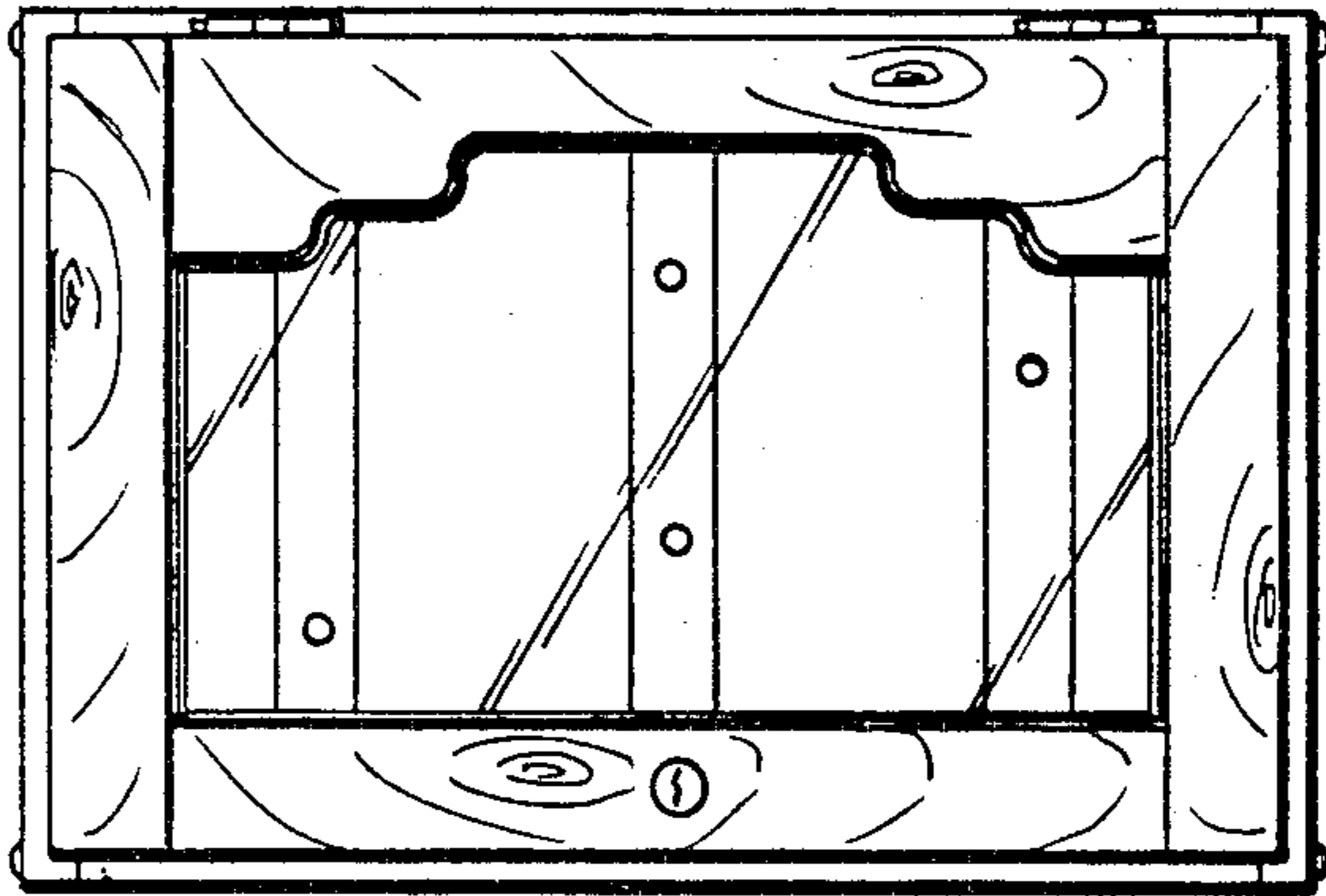


FIG. 10

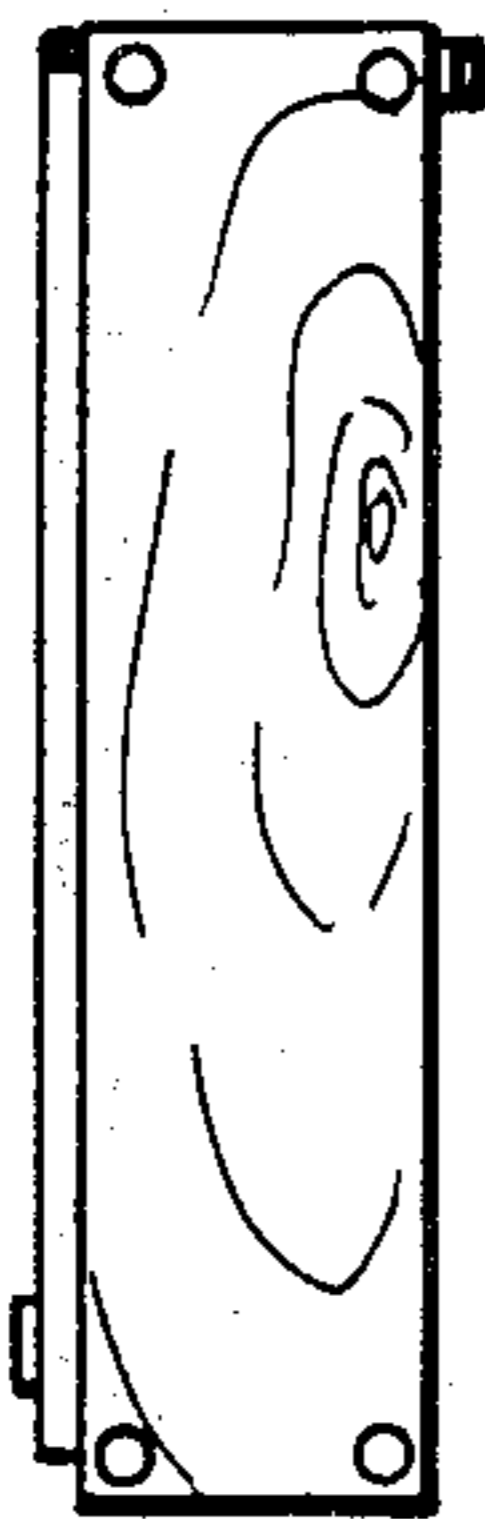


FIG. 9

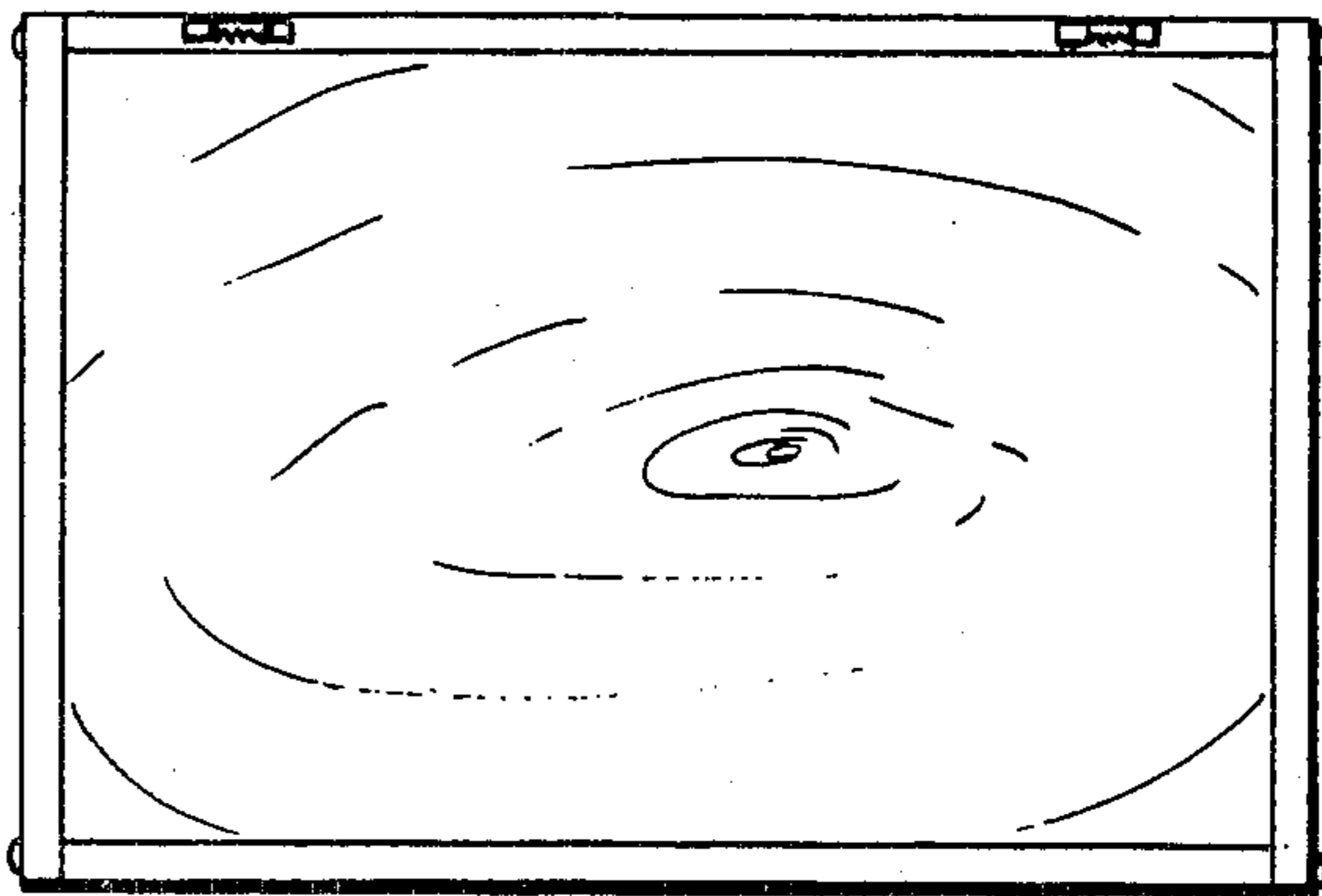


FIG. 11



FIG. 12

