

- [54] COMBINED MUSIC AND MICROPHONE SUPPORT STAND
- [76] Inventor: Philip B. Oakes, Jr., 1632 Burroughs St., Oceanside, Calif. 92054
- [**] Term: 14 Years
- [21] Appl. No.: 508,324
- [22] Filed: Jun. 27, 1983
- [52] U.S. Cl. D6/419; D6/420; D6/462
- [58] Field of Search D6/418, 419, 420, 429, D6/458

[56] **References Cited**
U.S. PATENT DOCUMENTS

D. 120,114	4/1940	Waechter	D6/448	X
D. 130,673	12/1941	Kluson	D6/419	X
D. 139,445	11/1944	Barger	D6/419	
D. 226,699	4/1973	Blain	D6/419	

D. 235,706	7/1975	Pennington	D6/419
3,637,172	1/1972	Diesbach	248/460

Primary Examiner—Bruce W. Dunkins
Attorney, Agent, or Firm—John J. Murphey

[57] **CLAIM**

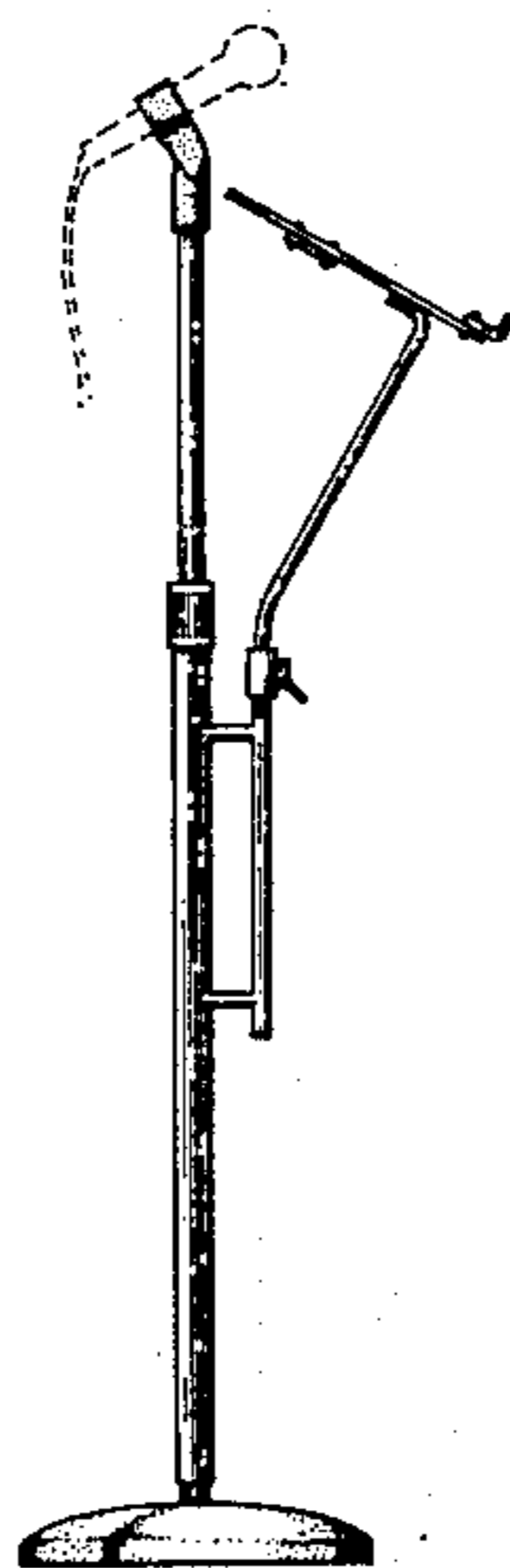
The ornamental design of a combined music and microphone support stand, substantially as shown and described.

DESCRIPTION

FIG. 1 is a side elevational view of a combined music and microphone support stand showing my design; and FIG. 2 is a perspective view thereof on an enlarged scale with portions broken away for convenience of illustration.

The side of the stand not shown is a mirror image of the side shown in FIG. 1.

The broken line showing of a microphone in FIGS. 1 and 2 is for illustrative purposes only.



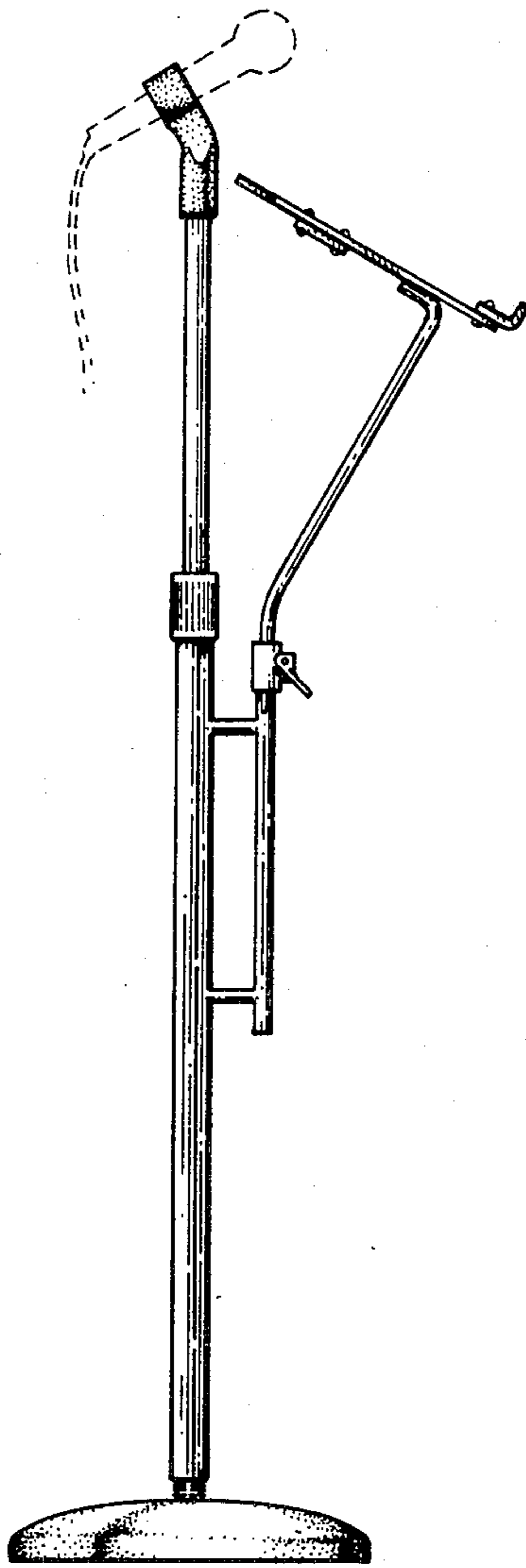


FIG. 1

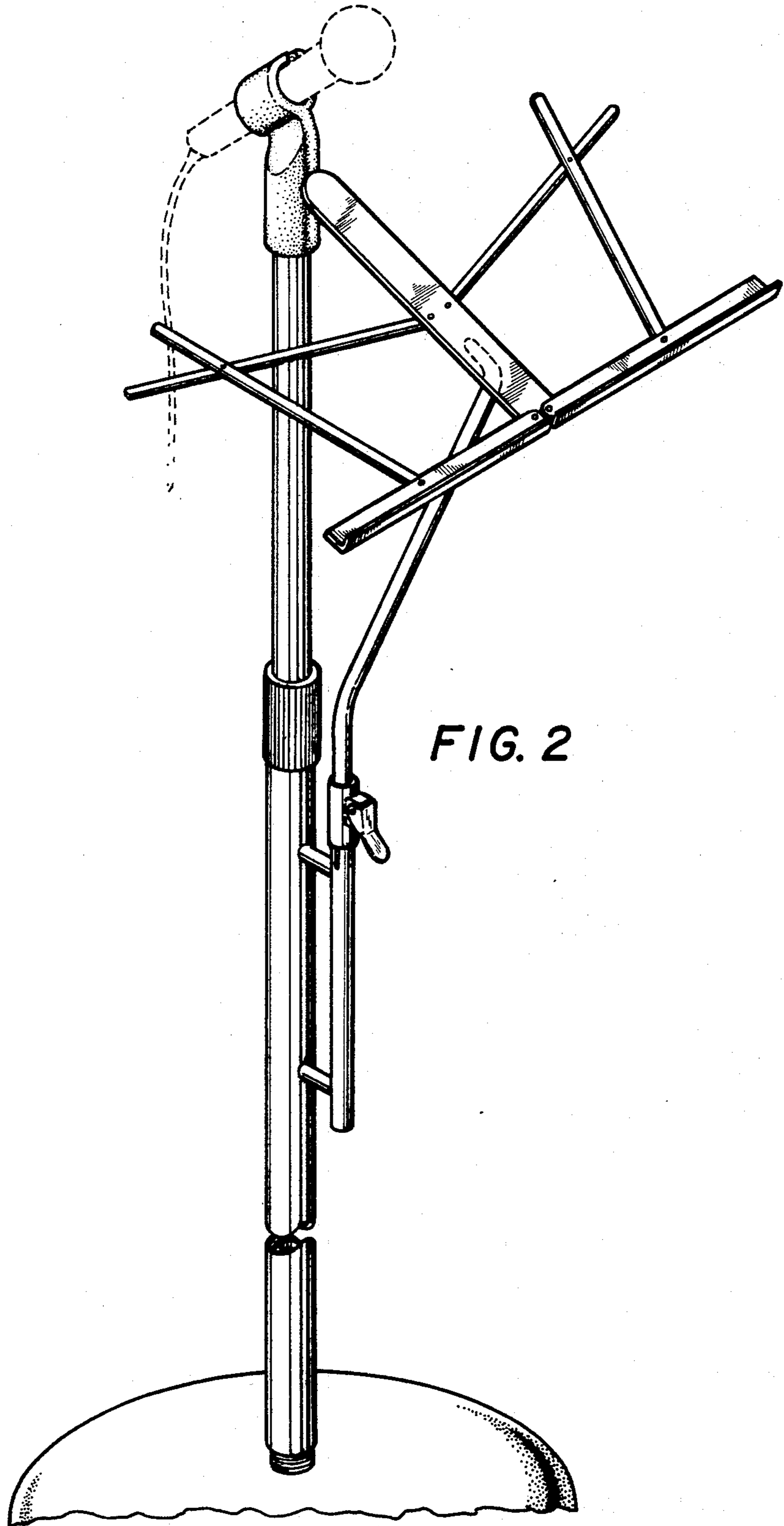


FIG. 2