

[54] BAR STOOL

[75] Inventor: Vladimir W. Zakharov, Baldwin Park, Calif.

[73] Assignee: Mikhail Darafeev, Inc, Baldwin Park, Calif.

[**] Term: 14 Years

[21] Appl. No.: 702,574

[22] Filed: Feb. 19, 1985

[52] U.S. Cl. D6/379; D6/350

[58] Field of Search D6/334, 339, 349, 350, D6/352, 353, 369, 370, 374, 375, 379, 380

[56] References Cited

U.S. PATENT DOCUMENTS

- D. 126,270 4/1941 Panzer D6/352
- D. 132,105 4/1942 Peterson D6/352
- D. 141,379 5/1945 Panzer D6/352
- D. 149,637 5/1948 Hayes et al. D6/339 X
- D. 173,651 12/1954 Gelman D6/339 X
- D. 269,056 5/1983 Claman D6/369

OTHER PUBLICATIONS

Ficks Reed Catalog No. 1977, ©1977, p. 80, Stool No. W-612 CU and Stool No. 9223U.

Primary Examiner—Bruce W. Dunkins
Attorney, Agent, or Firm—Boniard I. Brown

[57] CLAIM

The ornamental design for a bar stool, as shown and described.

DESCRIPTION

FIG. 1 is a perspective view of a bar stool, showing my new design;
 FIG. 2 is a front view thereof;
 FIG. 3 is a side elevational view, the opposite side being a mirror image thereof;
 FIG. 4 is a rear view thereof;
 FIG. 5 is a top view thereof;
 FIG. 6 is a bottom view thereof;
 FIG. 7 is a perspective view of a modified form of the design shown in FIGS. 1 through 6;
 FIG. 8 is a front view thereof;
 FIG. 9 is a side elevational view, the opposite side being a mirror image thereof;
 FIG. 10 is a rear view thereof;
 FIG. 11 is a bottom view thereof; and
 FIG. 12 is a top view thereof.

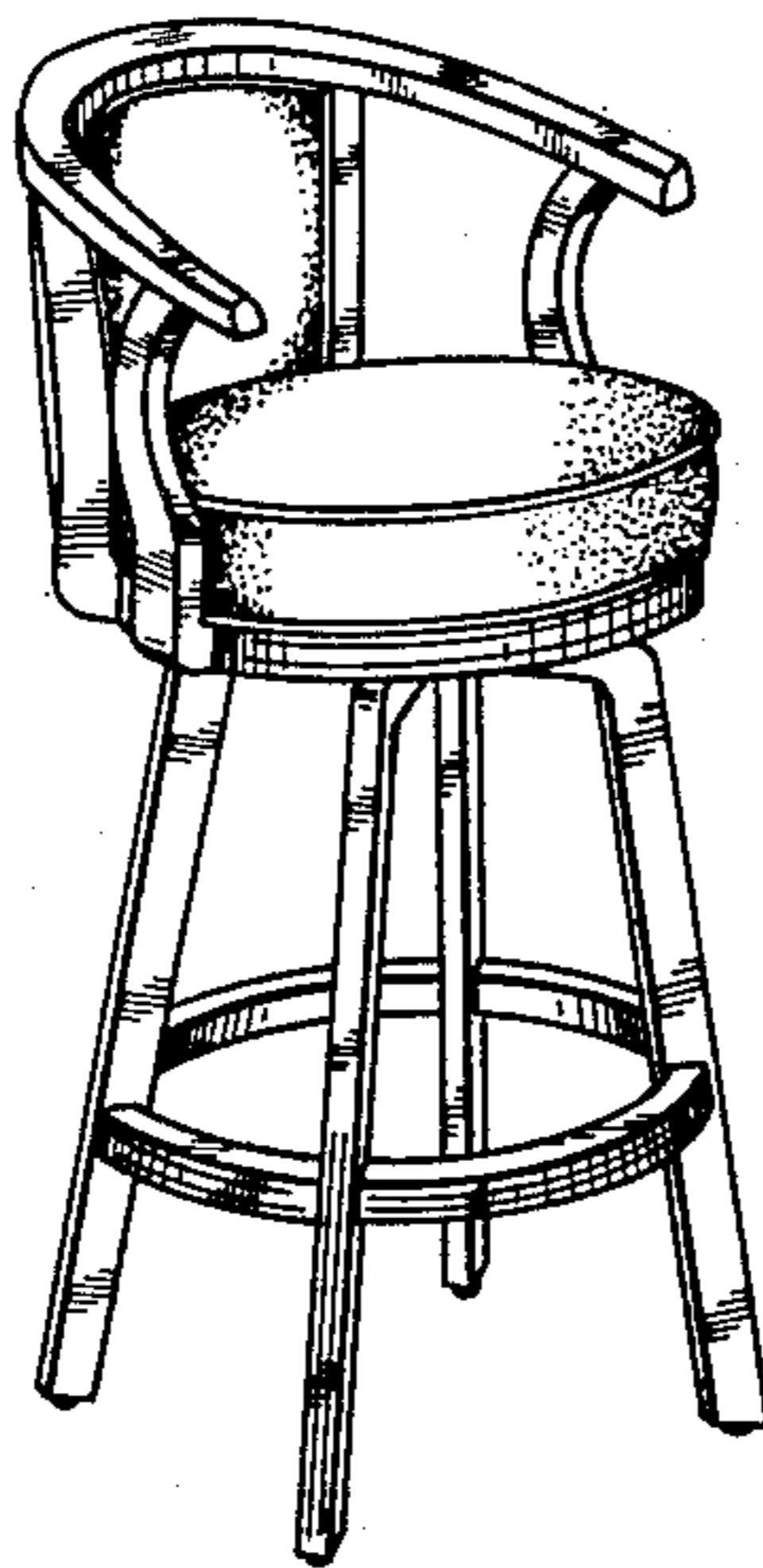


FIG. 1

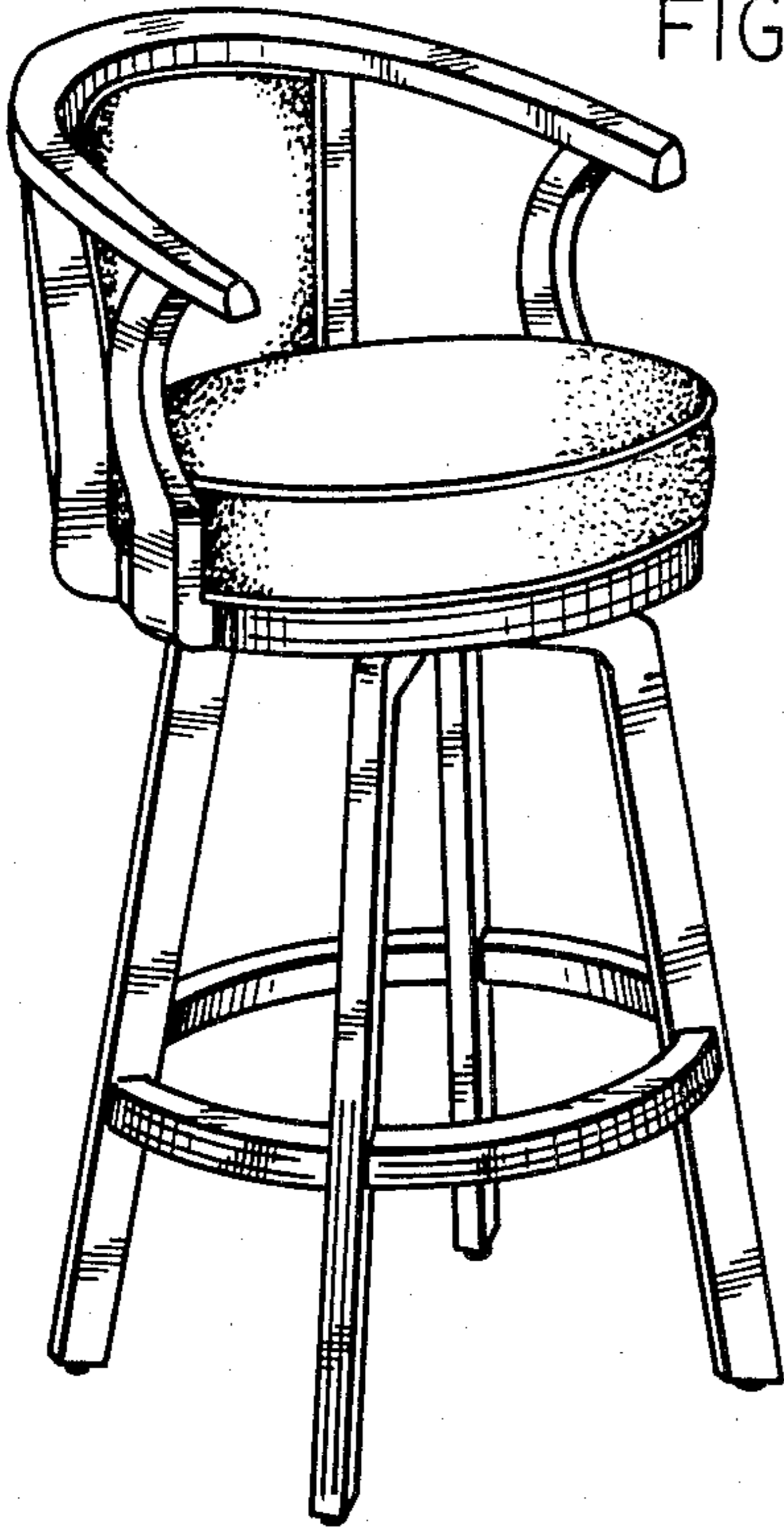


FIG. 4

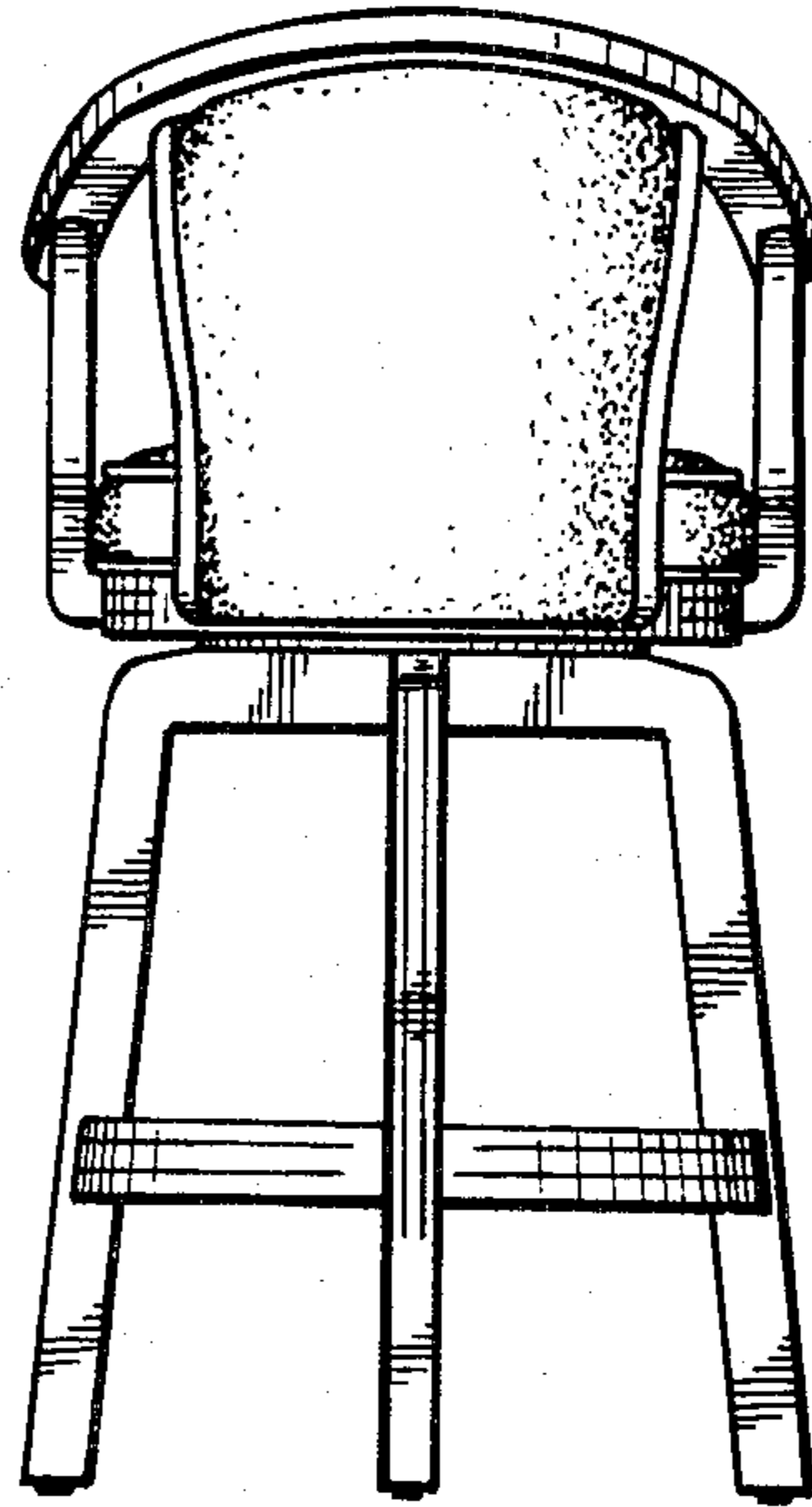


FIG. 2

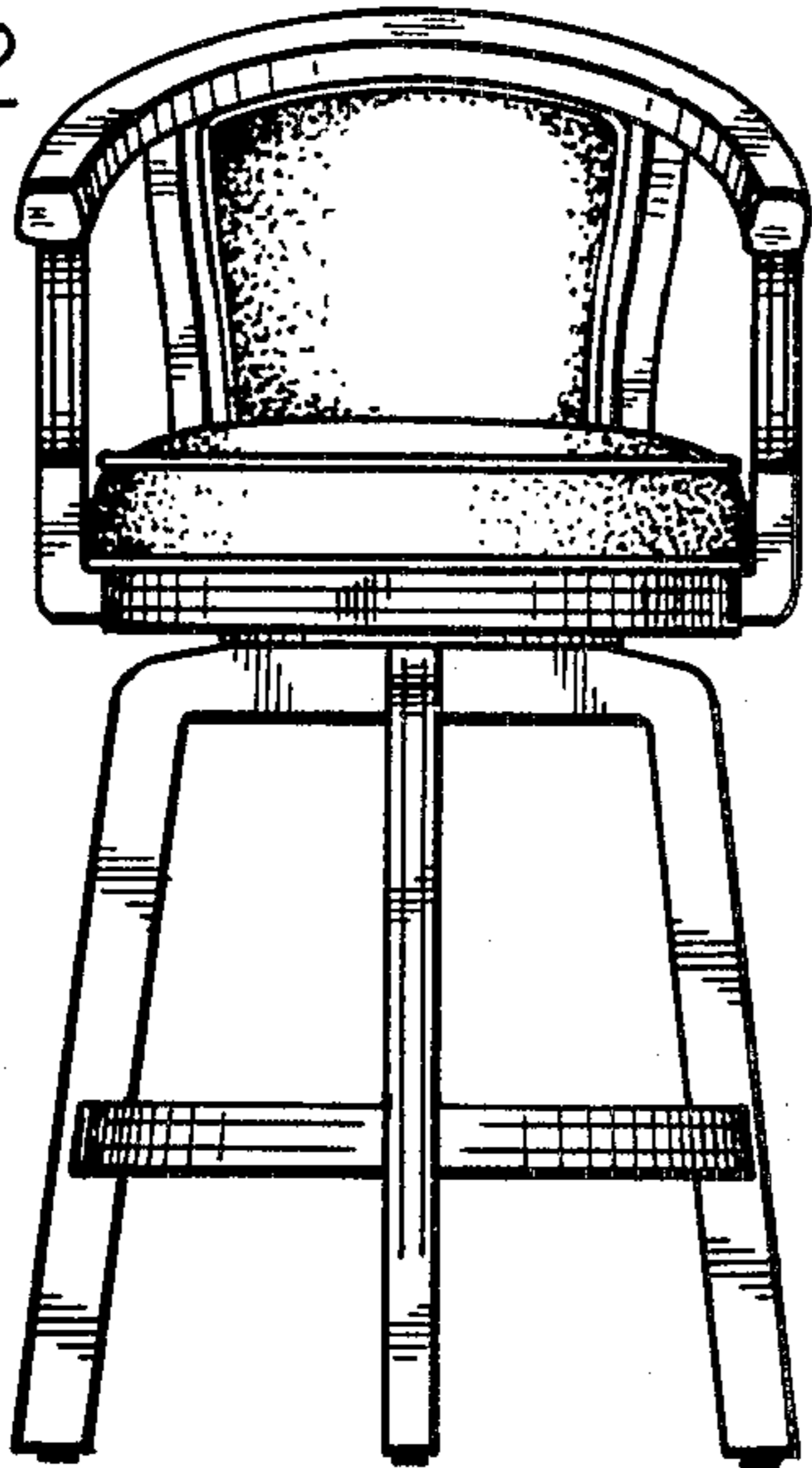


FIG. 3

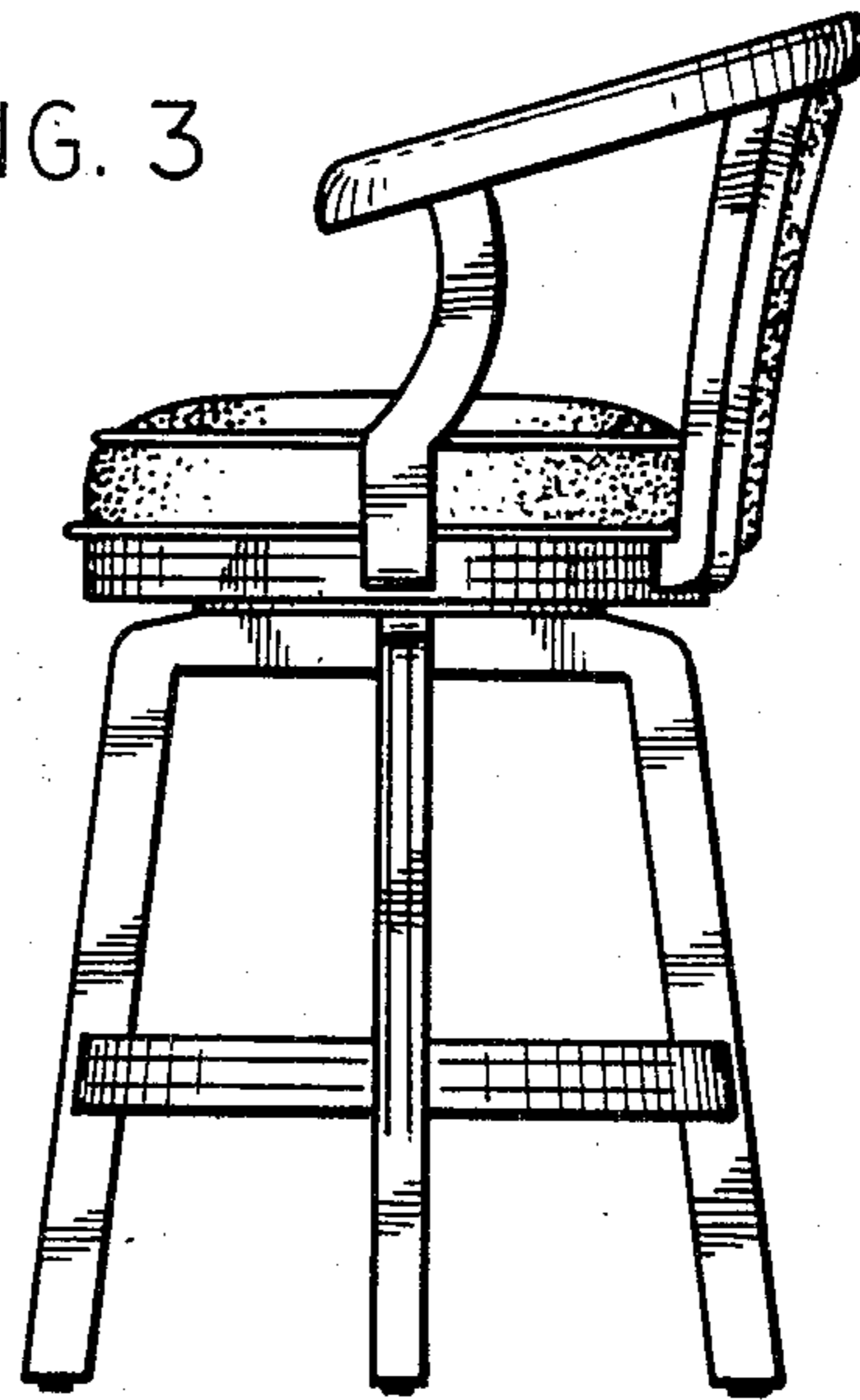


FIG. 6

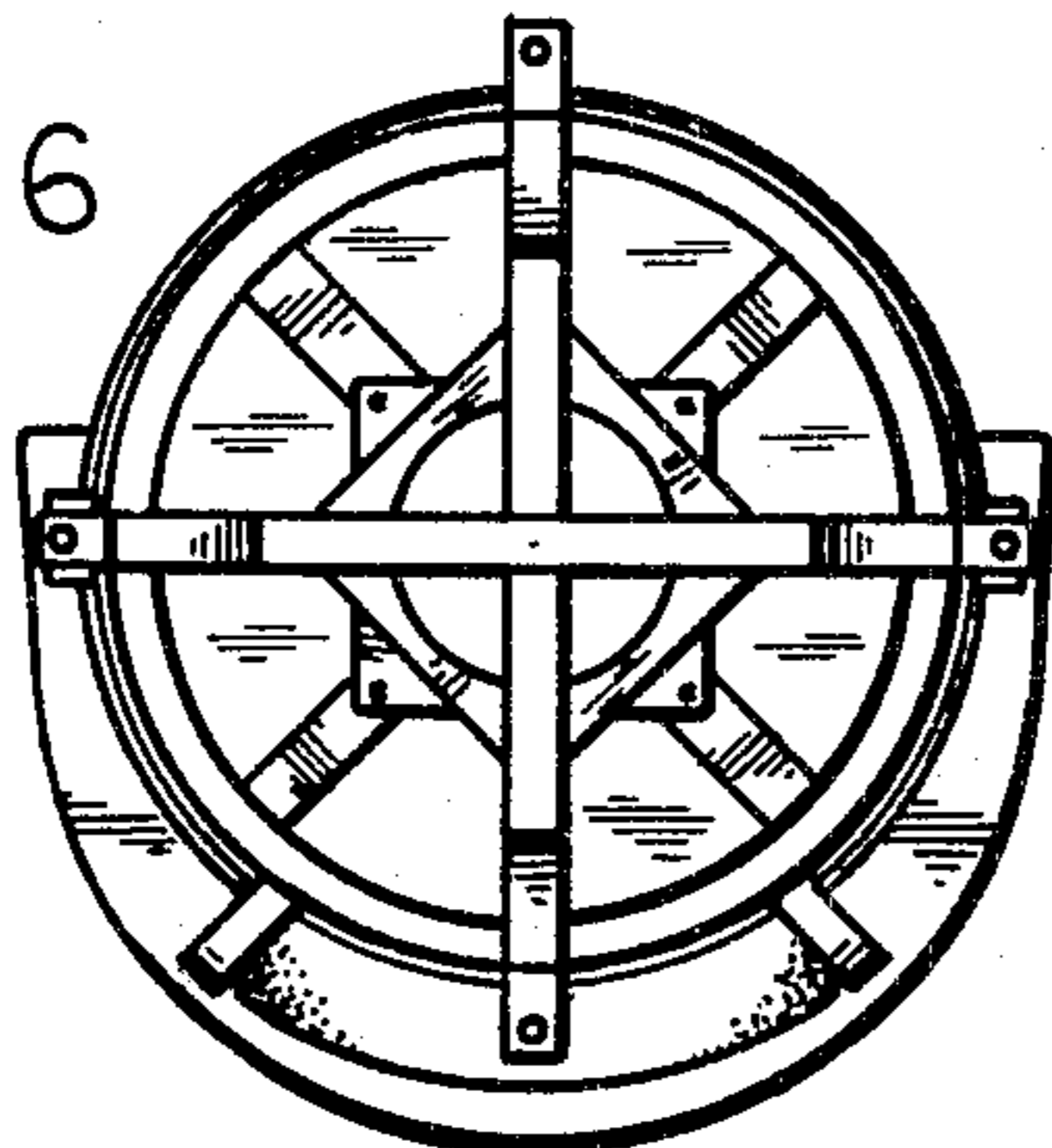


FIG. 5

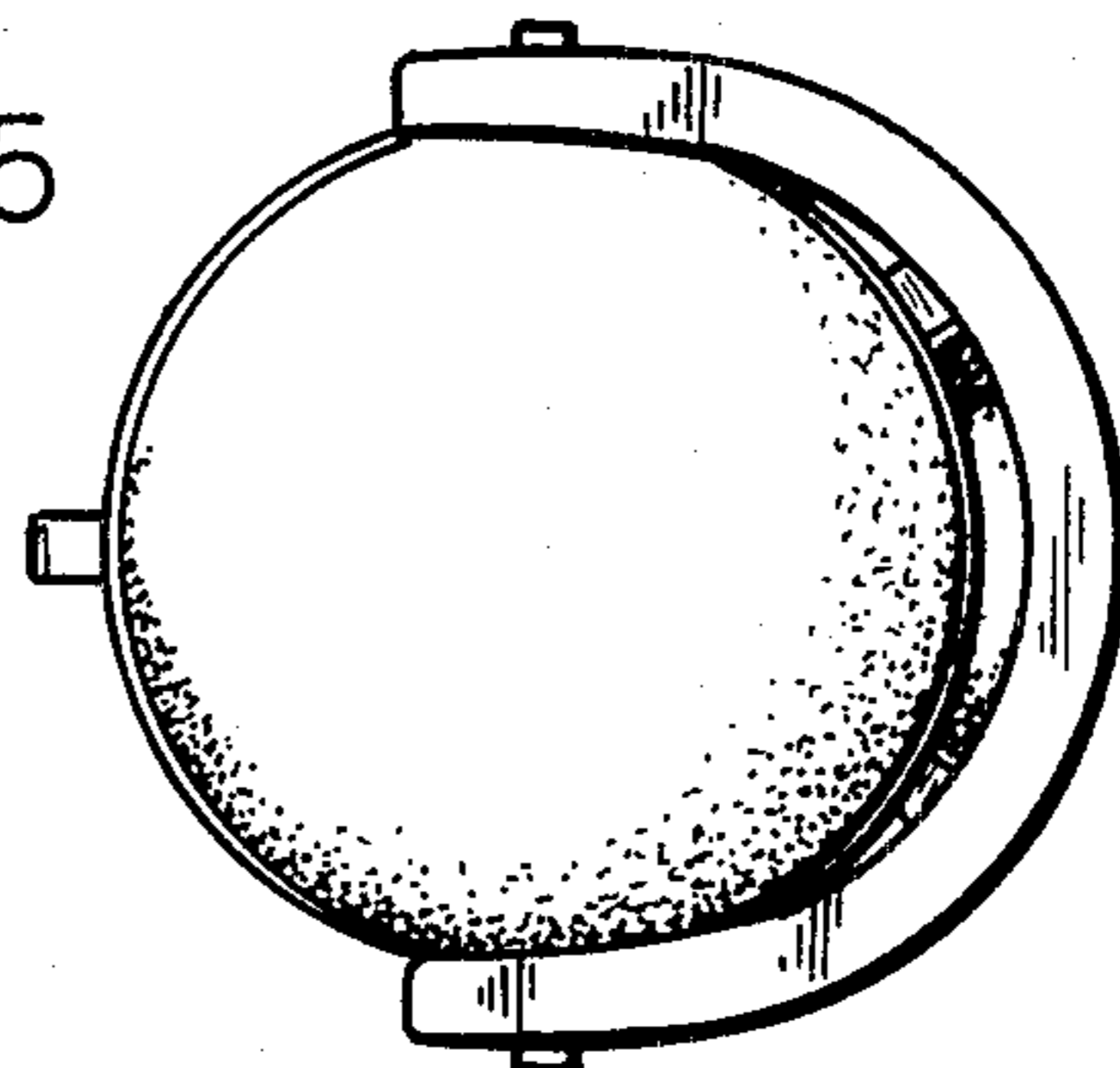


FIG. 7

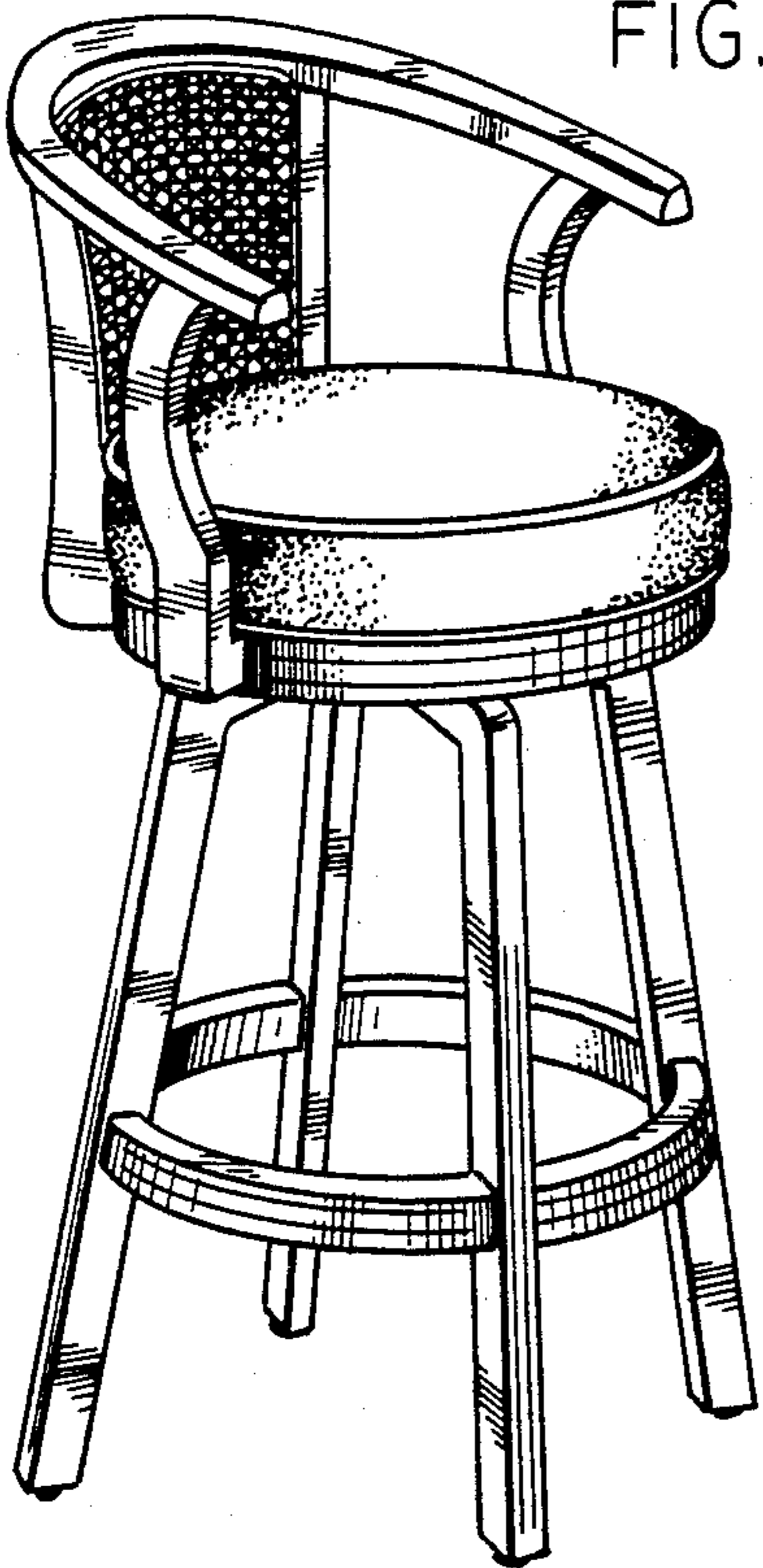


FIG. 10

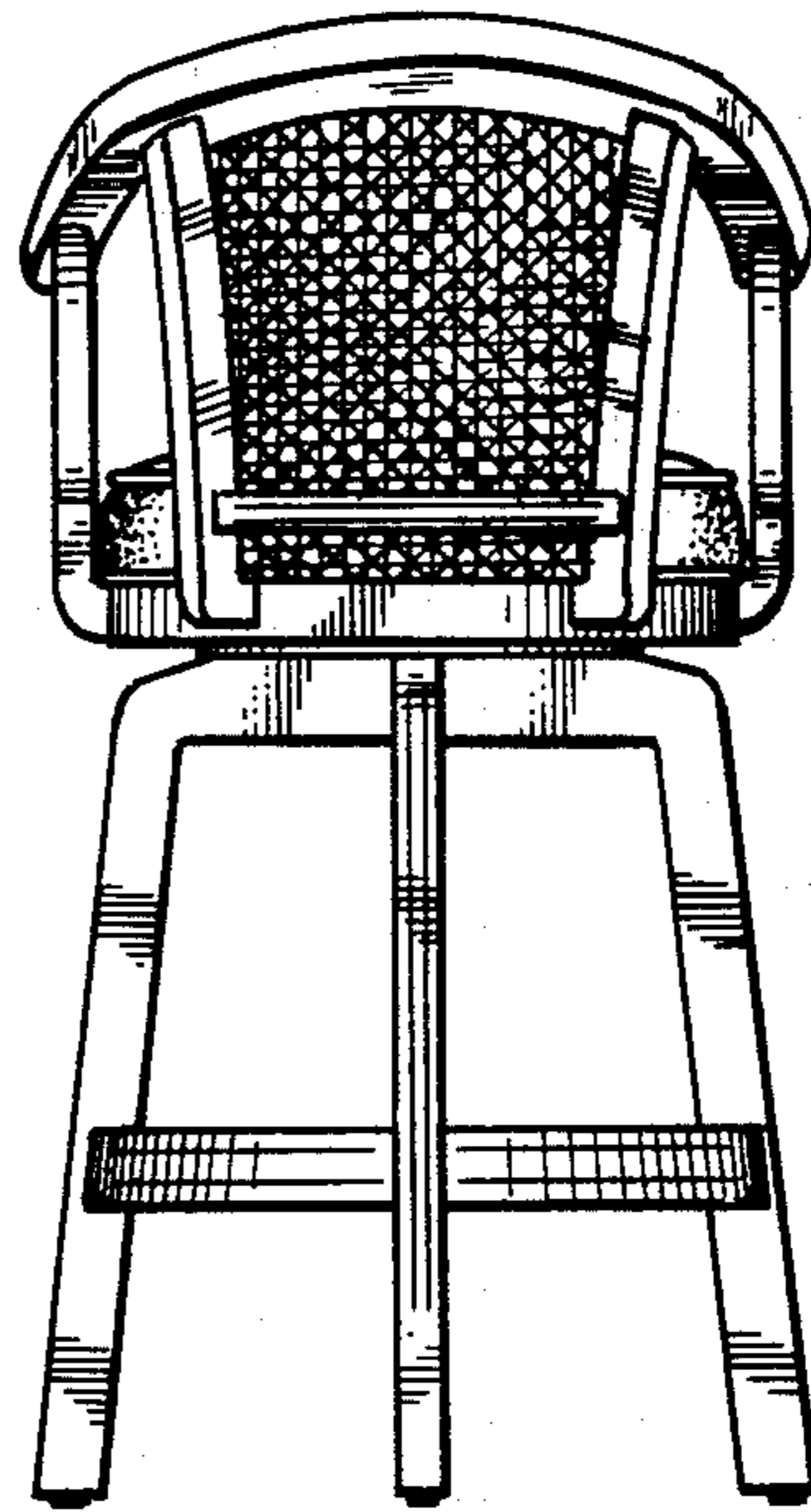


FIG. 8

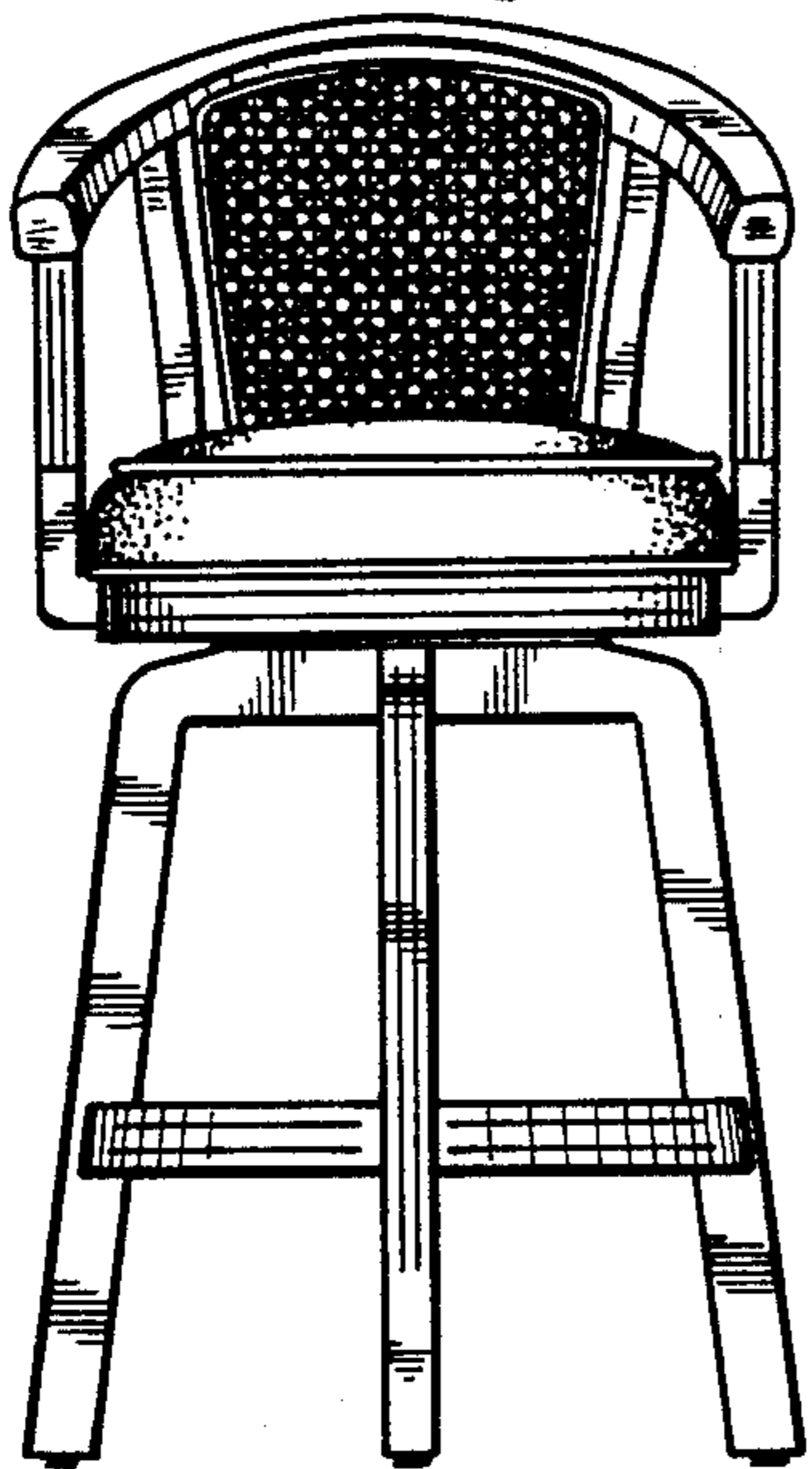


FIG. 9

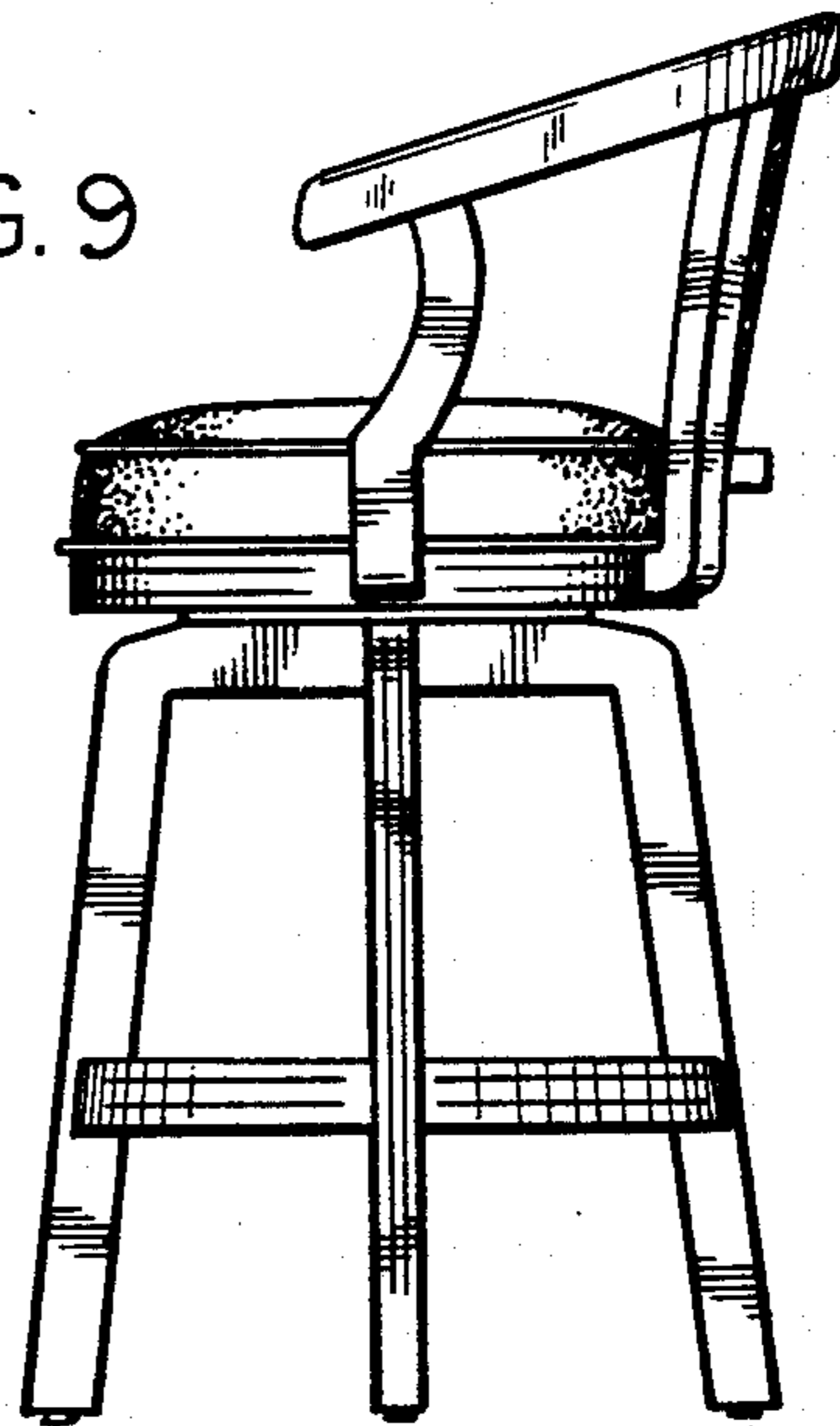


FIG. 11

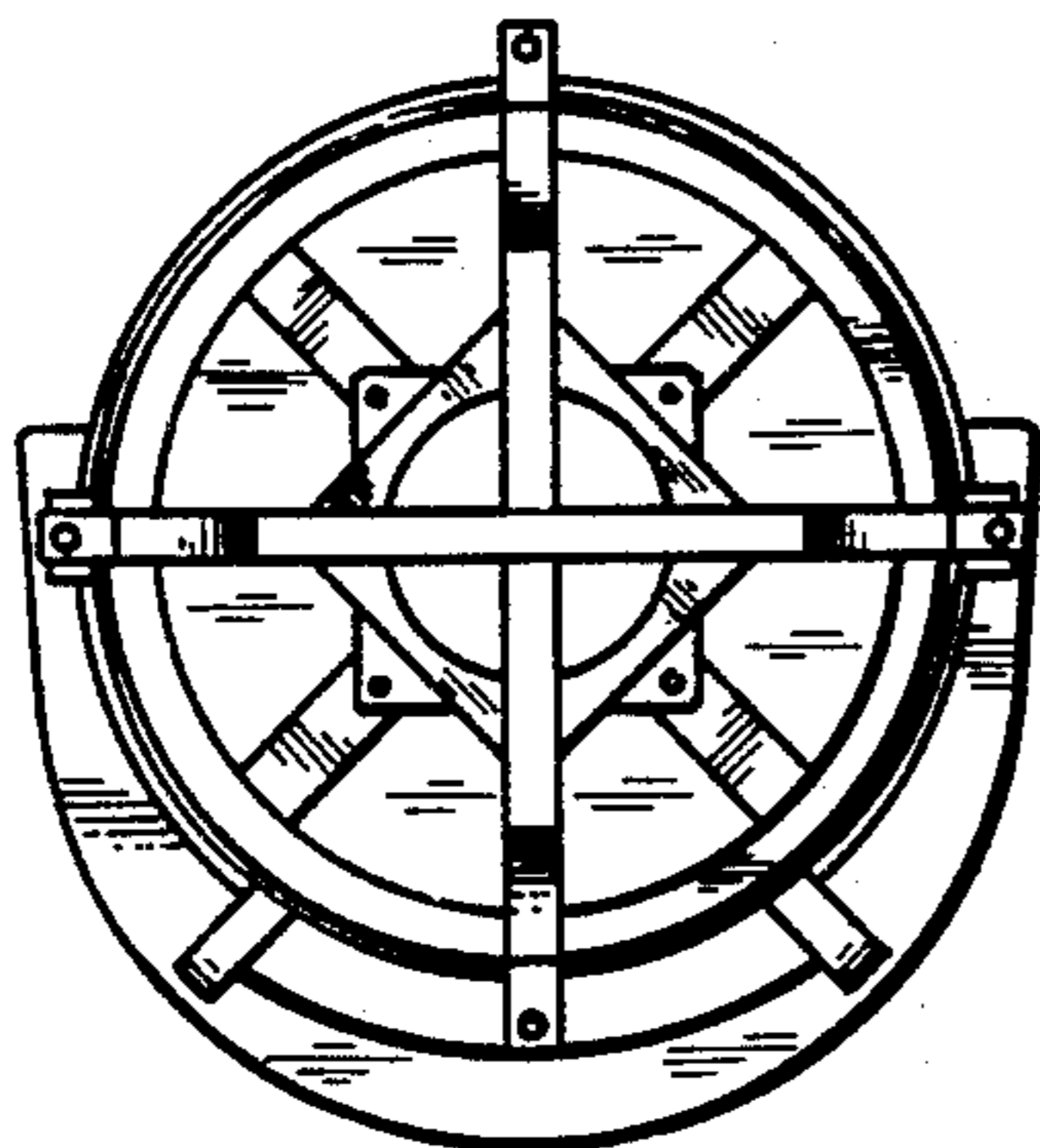


FIG. 12

