

[54] KEY HOLDER

[75] Inventor: Stephen M. Attwood, Luton, England

[73] Assignee: Alternate Resources Limited, Luton, England

[**] Term: 14 Years

[21] Appl. No.: 637,563

[22] Filed: Aug. 3, 1984

[30] Foreign Application Priority Data

Feb. 3, 1984 [GB] United Kingdom 1017675

[52] U.S. Cl. D3/61; D3/65

[58] Field of Search D3/61-65; D9/454, 439, 435-436; 215/356, 357, 215, 294-296, 305, 309; 70/456 R-459; D19/96, 97

[56] References Cited

U.S. PATENT DOCUMENTS

D. 233,074 10/1974 Crockett D19/96

D. 241,919 10/1976 Best et al. D9/439
2,699,667 1/1955 Mark et al. D3/61

FOREIGN PATENT DOCUMENTS

5114 of 1892 United Kingdom 215/356

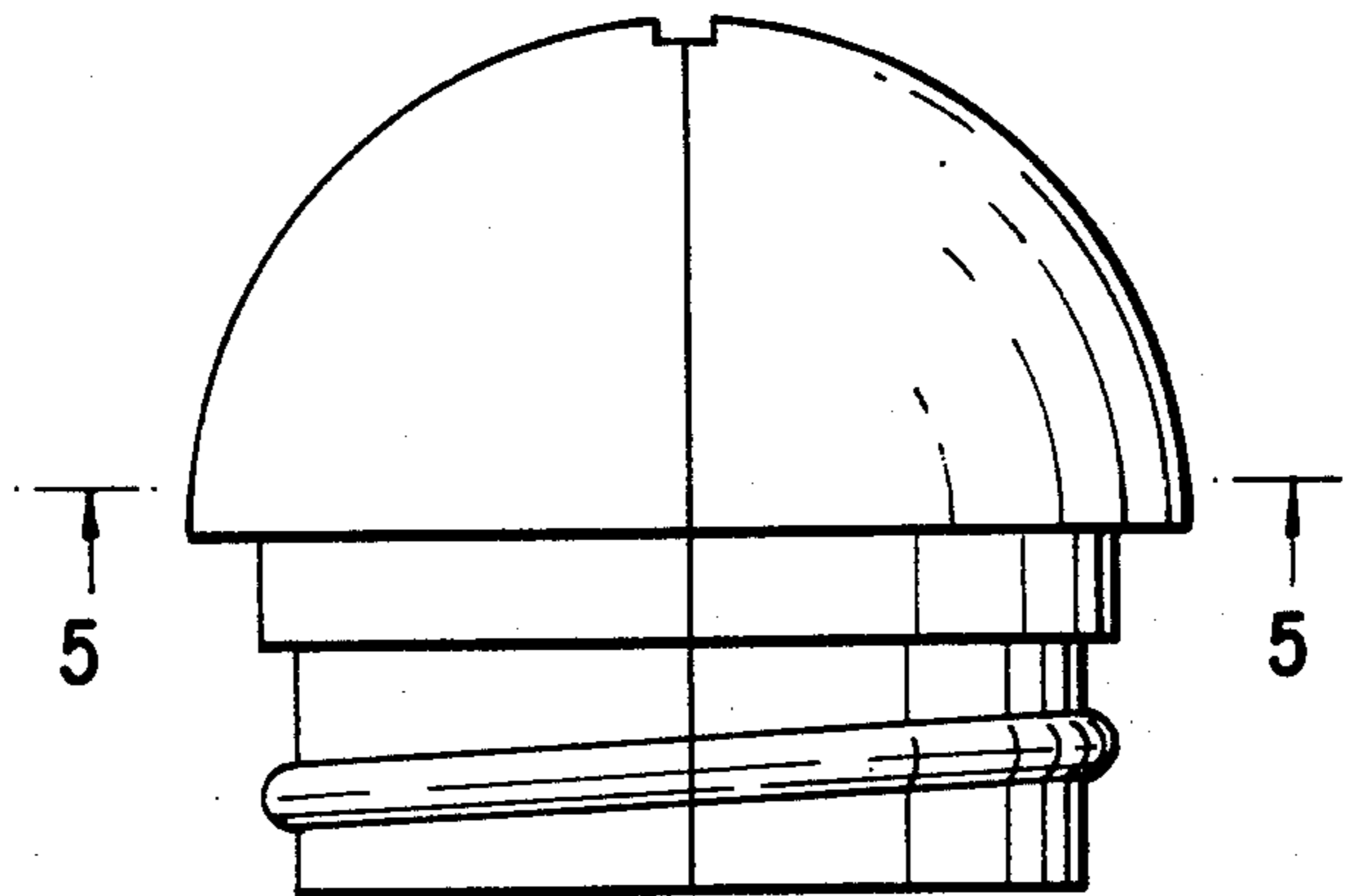
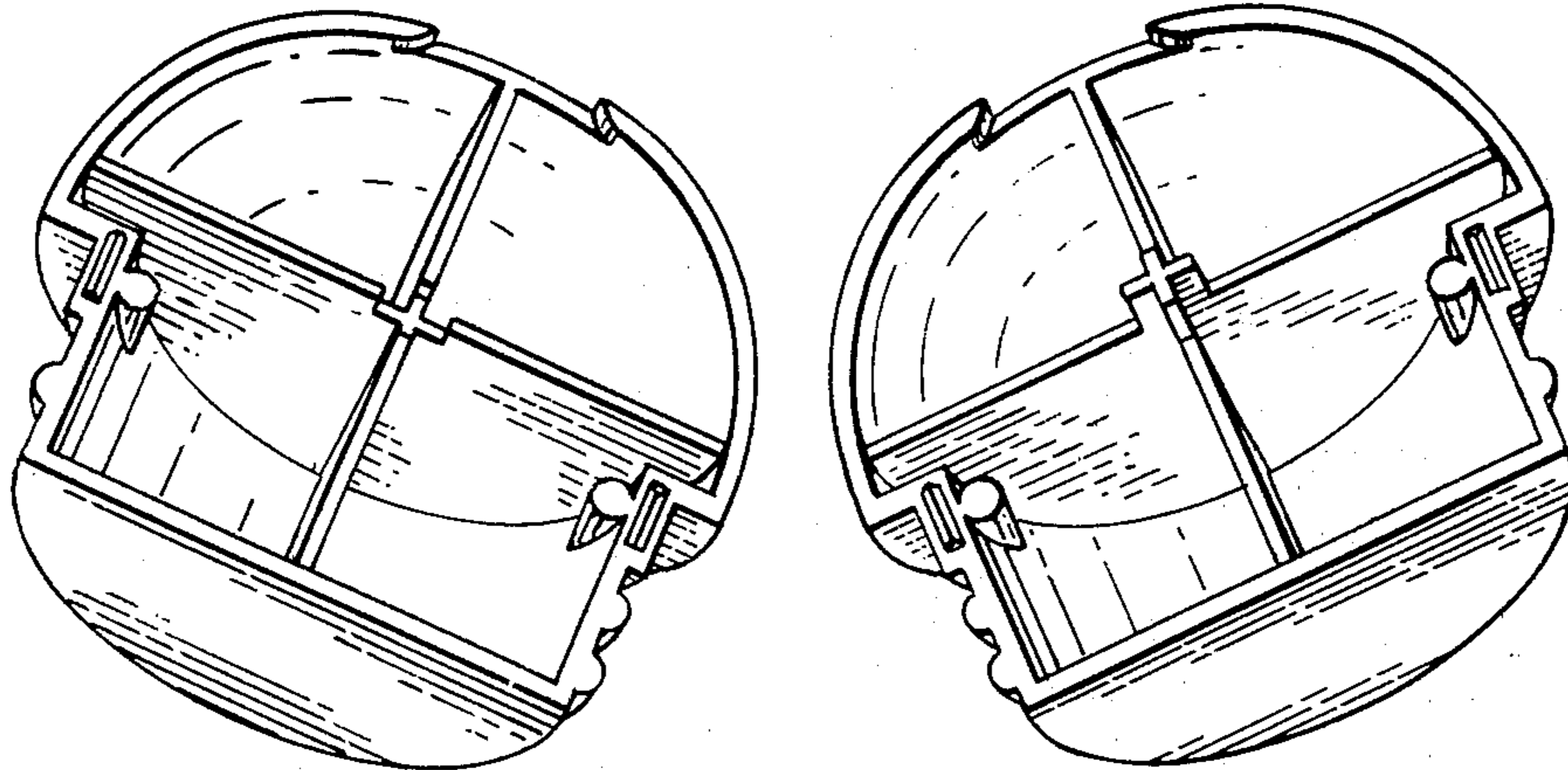
Primary Examiner—George P. Word
Attorney, Agent, or Firm—Lowe, Price, LeBlanc,
Becker & Shur

[57] CLAIM

The ornamental design for a key holder, substantially as shown and described.

DESCRIPTION

FIG. 1 is a perspective view of a key holder showing my new design;
FIG. 2 is an exploded perspective view thereof with the parts separated;
FIG. 3 is a front elevational view of FIG. 1;
FIG. 4 is a top plan view thereof; and
FIG. 5 is a cross-sectional view taken along line 5—5 of FIG. 3.



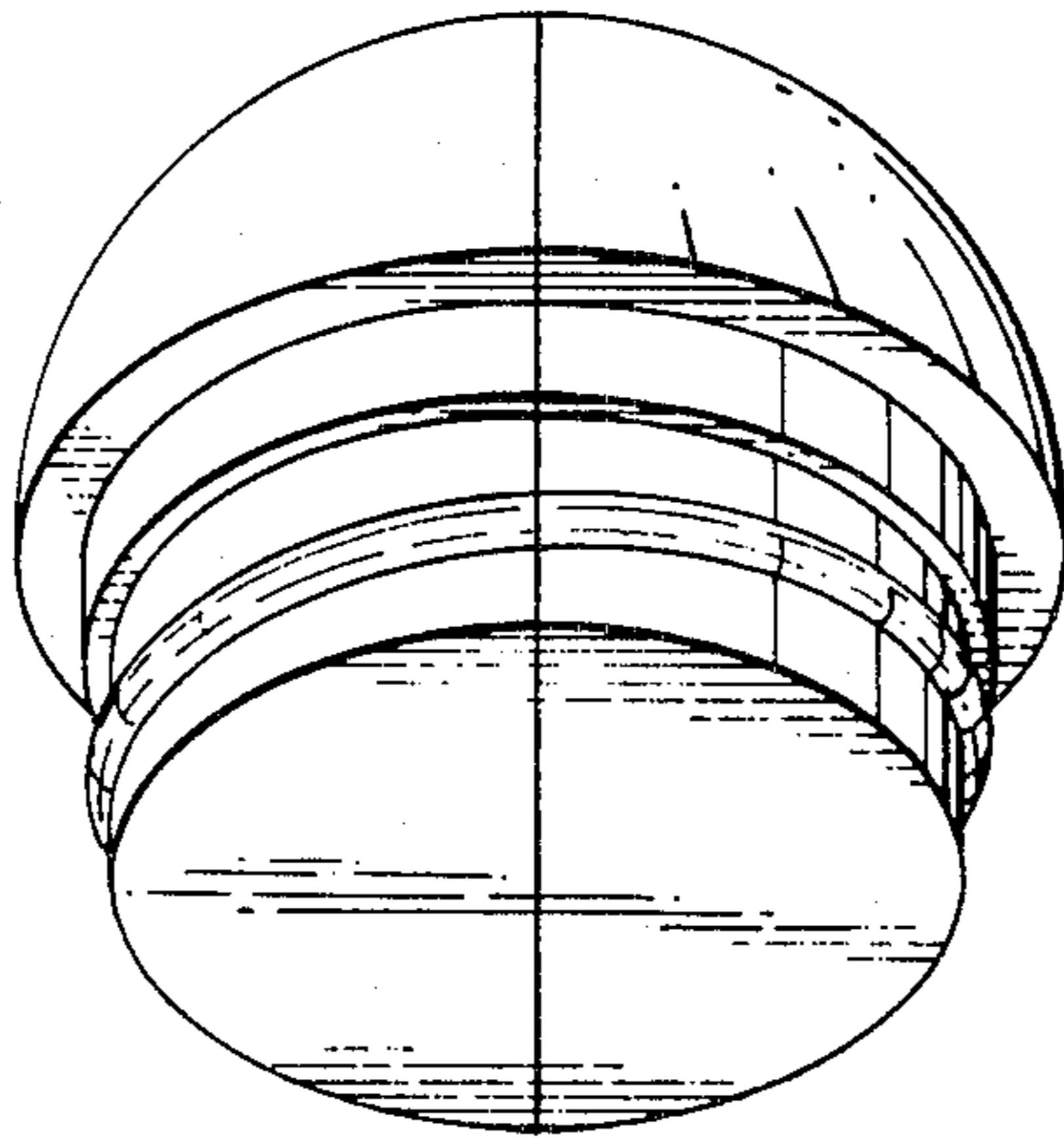


Fig. 1.

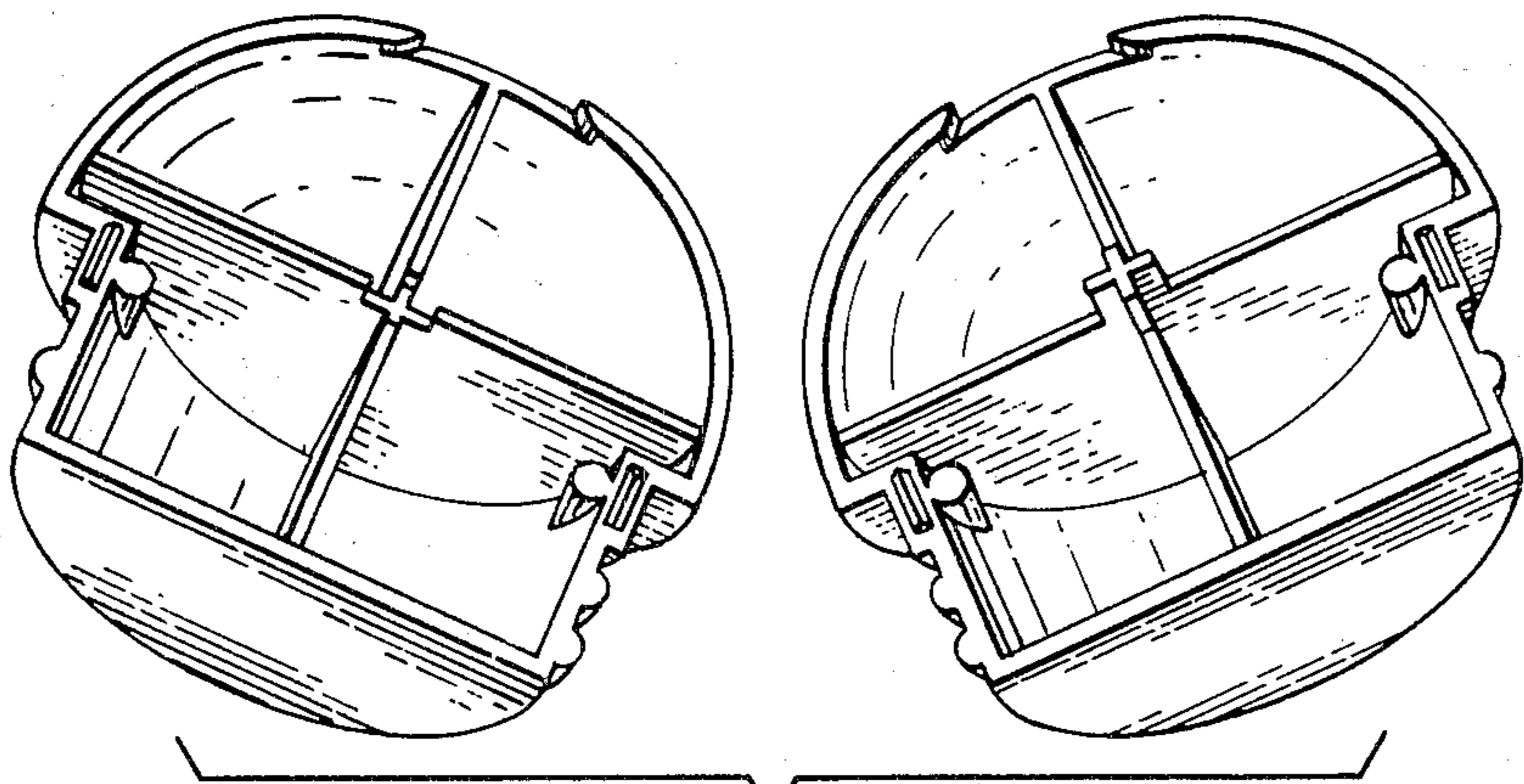


Fig. 2.

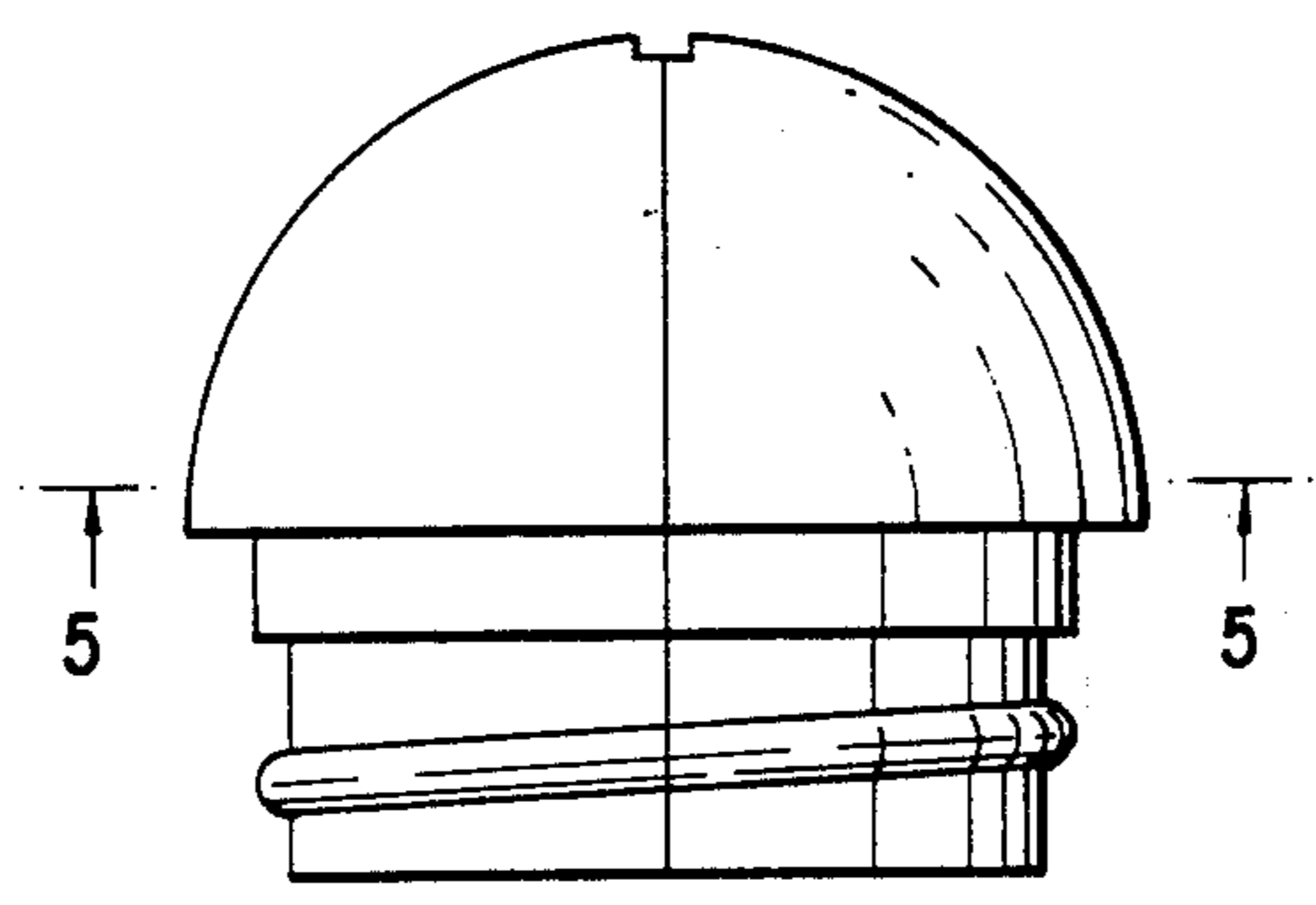


Fig. 3.

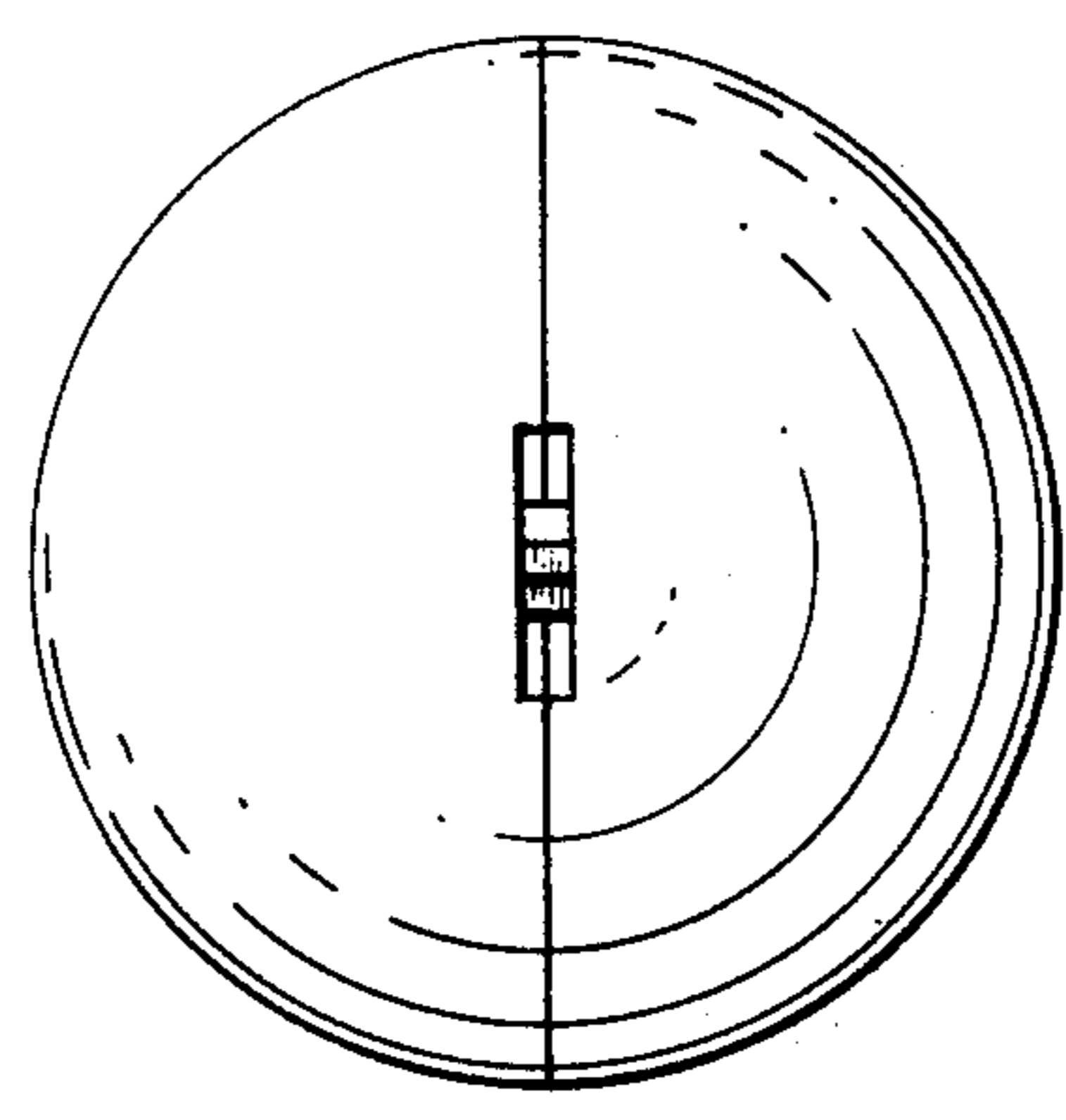


Fig. 4.

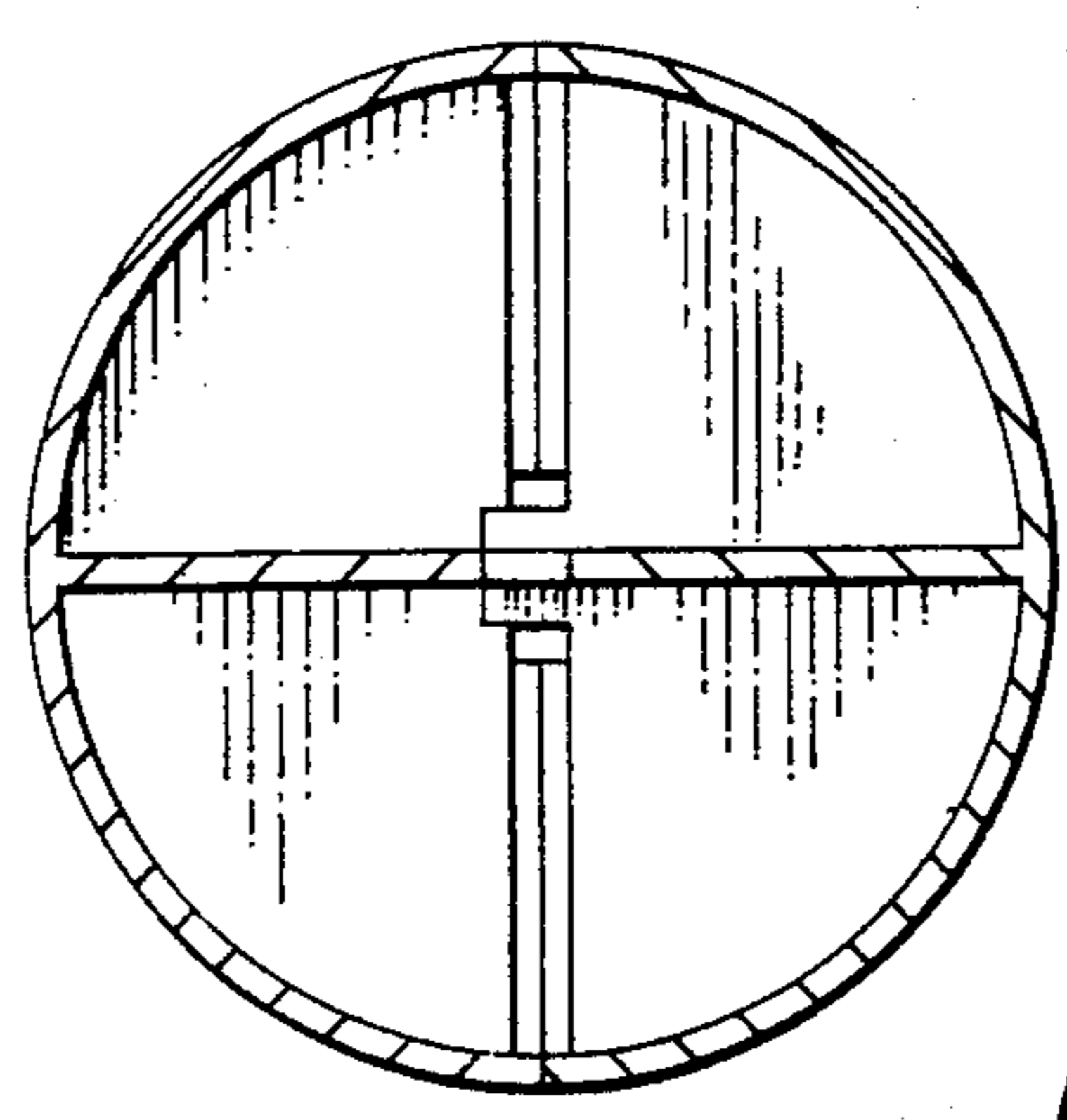


Fig. 5.