

[54] MINI DISK HOLDER

4,312,393 1/1982 Green ..... 206/425

[76] Inventor: Nicholas Sfikas, 29 Widewaters La.,  
Pittsford, N.Y. 14534

[\*\*] Term: 14 Years

[21] Appl. No.: 579,874

[22] Filed: Feb. 13, 1984

[52] U.S. Cl. .... D3/35; D19/2

[58] Field of Search ..... D3/35; D19/26, 2, 32,  
D19/33; D9/416; 206/309-313, 444, 425, 614;  
383/7

[56] References Cited

U.S. PATENT DOCUMENTS

- D. 266,770 11/1982 Wihlke ..... D19/33
- D. 271,700 12/1983 Boughner ..... D3/35
- 3,858,789 1/1975 Verbeke ..... 383/7

OTHER PUBLICATIONS

Highsmith Cat. 25A, 1983 p. 19, top left.

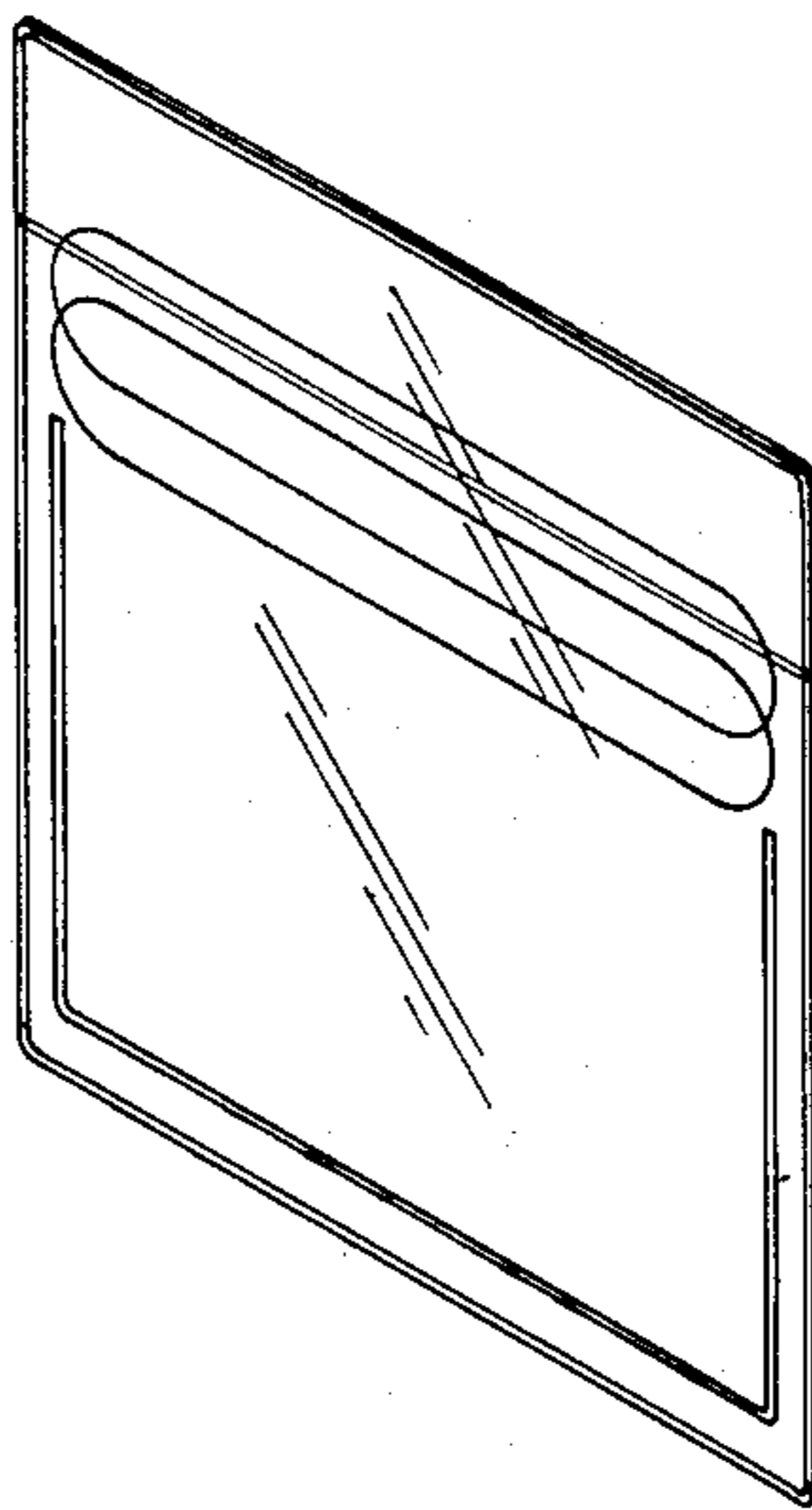
Primary Examiner—George P. Word  
Attorney, Agent, or Firm—Shlesinger, Arkwright,  
Garvey & Fado

[57] CLAIM

The ornamental design for a mini disk holder, as shown  
and described.

DESCRIPTION

FIG. 1 is a front perspective view of a mini disk holder  
showing my new design;  
FIG. 2 is a rear perspective view thereof; and,  
FIG. 3 is a right side elevational view of FIG. 1.  
The left side elevational view is a mirror image of the  
right side elevational view of FIG. 3.



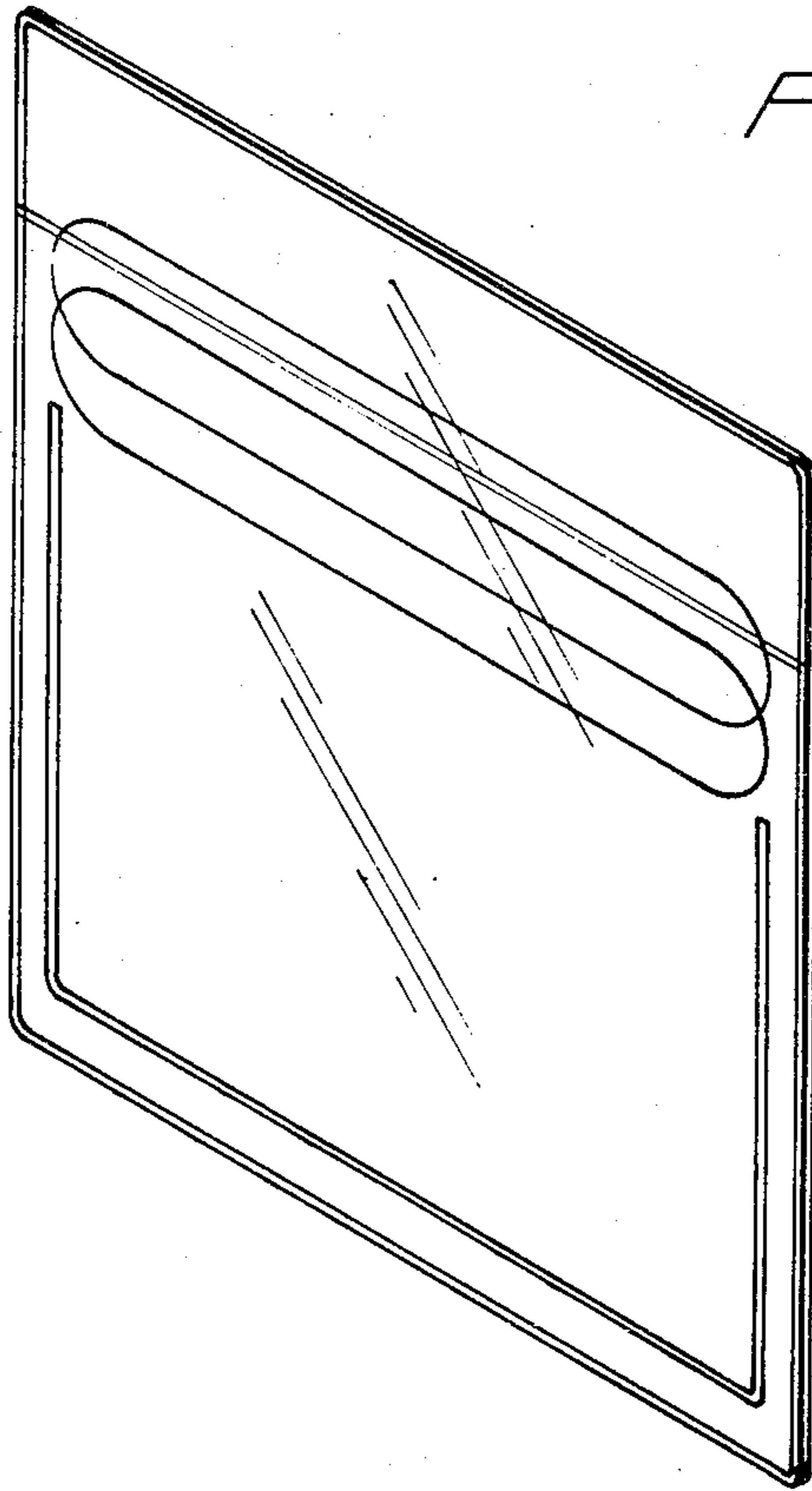


FIG 1

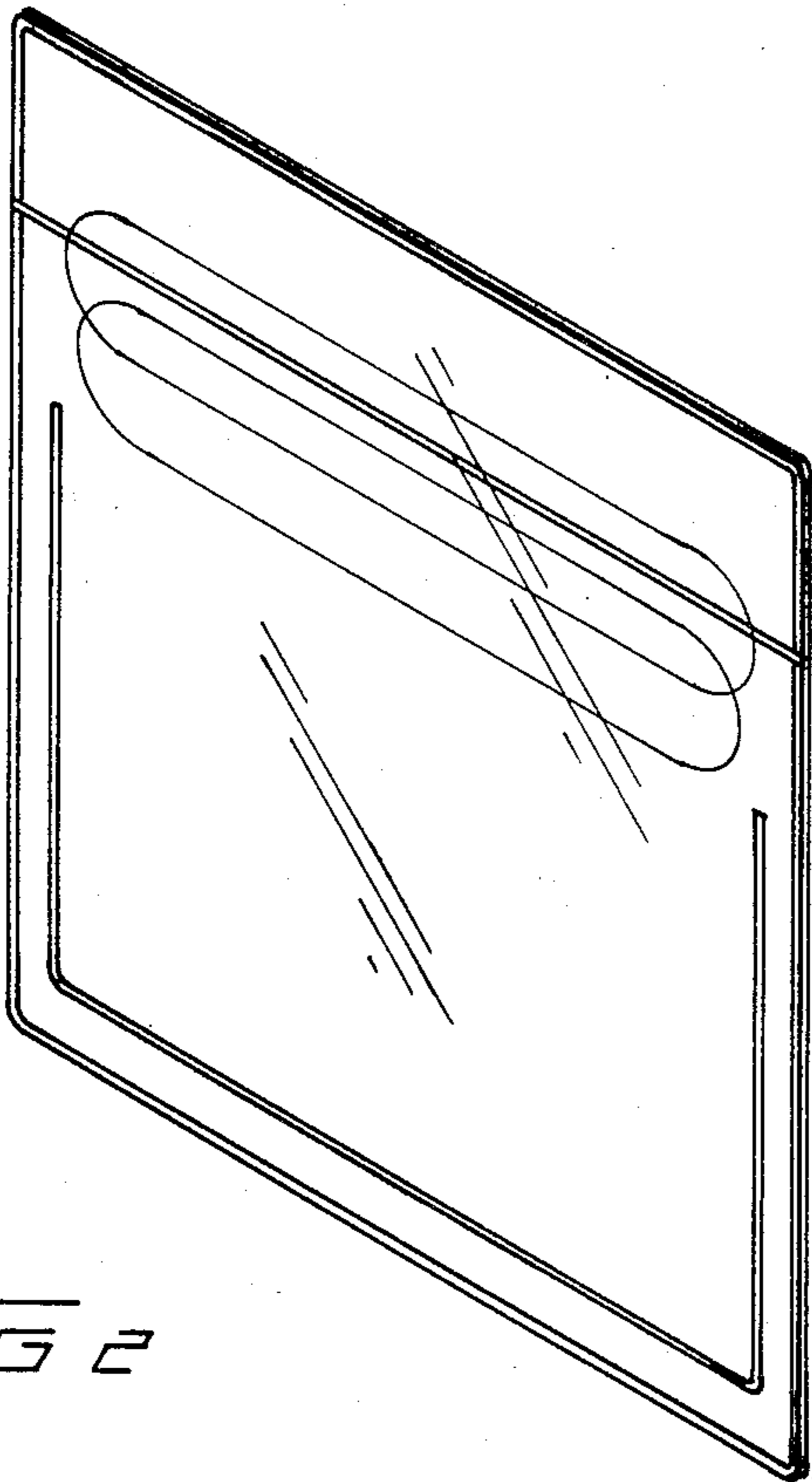


FIG 2

FIG 3

