

[54] PAINT TRAY FOR CORRUGATED ROLLER TYPE APPLICATOR

[76] Inventor: Juan Pages, 21 Gran Via St., Ponce, P.R.

[**] Term: 14 Years

[21] Appl. No.: 457,222

[22] Filed: Jan. 11, 1983

[52] U.S. Cl. D32/53.1

[58] Field of Search D32/53.1; 15/257.06

[56] References Cited

U.S. PATENT DOCUMENTS

41,771	3/1864	Harold	15/257.1
2,838,781	6/1958	Molle	15/257.06
2,922,176	1/1960	Bernhardt	15/257.06

3,514,012	5/1970	Martin	15/257.06 X
3,752,494	8/1973	Dunn	15/257.06 X
3,828,389	8/1974	Heisler	15/257.06
4,094,431	6/1978	Wheeler	15/257.06 X
4,102,468	7/1978	Goldman	15/257.06 X

Primary Examiner—Catherine E. Kemper
Attorney, Agent, or Firm—Scrivener Clarke Scrivener & Johnson

[57] CLAIM

The ornamental design for a paint tray for corrugated roller type applicator, as shown.

DESCRIPTION

FIG. 1 is a top perspective view of a paint tray for corrugated roller type applicator, showing my new design;

FIG. 2 is a bottom perspective view thereof.

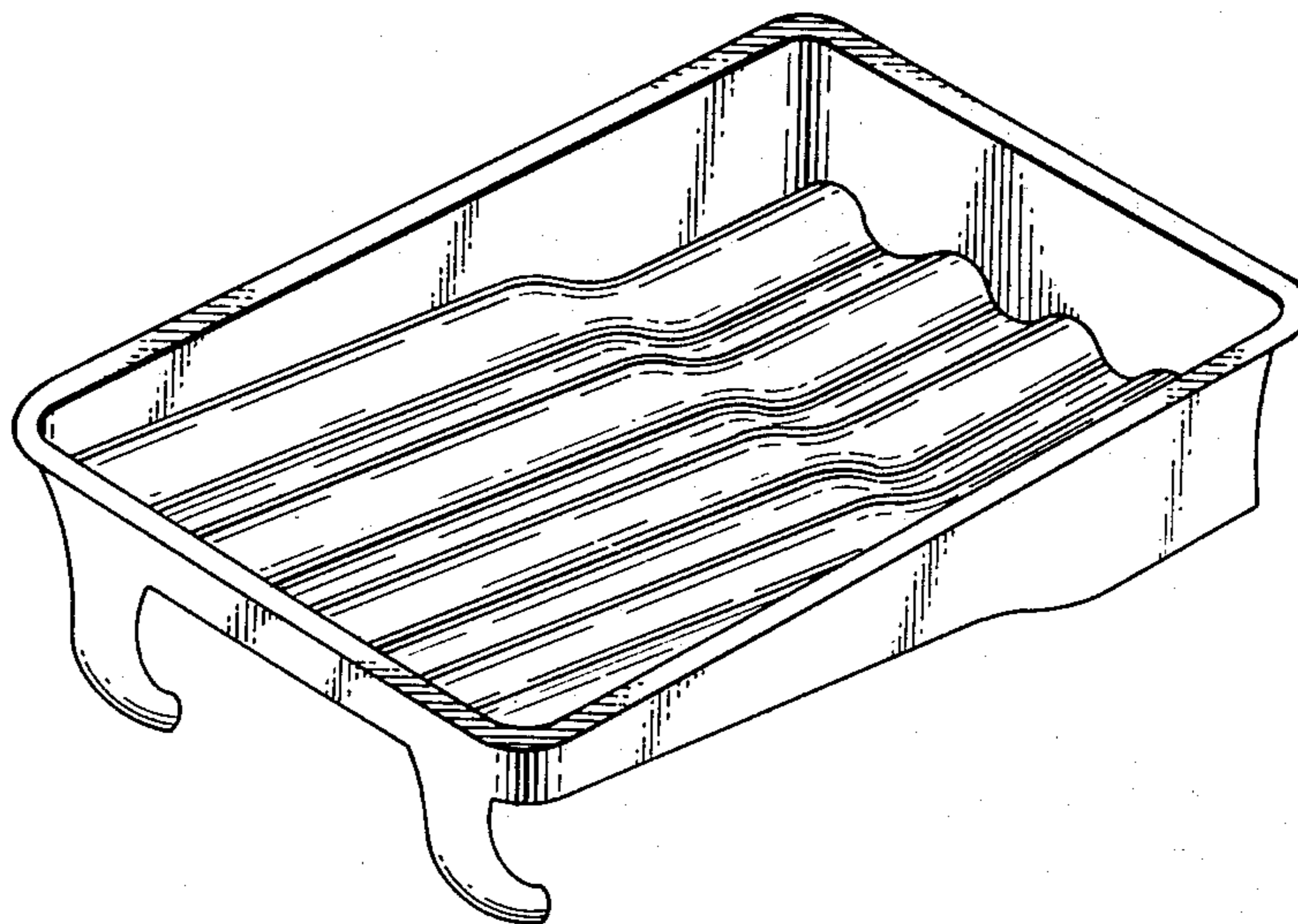


FIG. 1

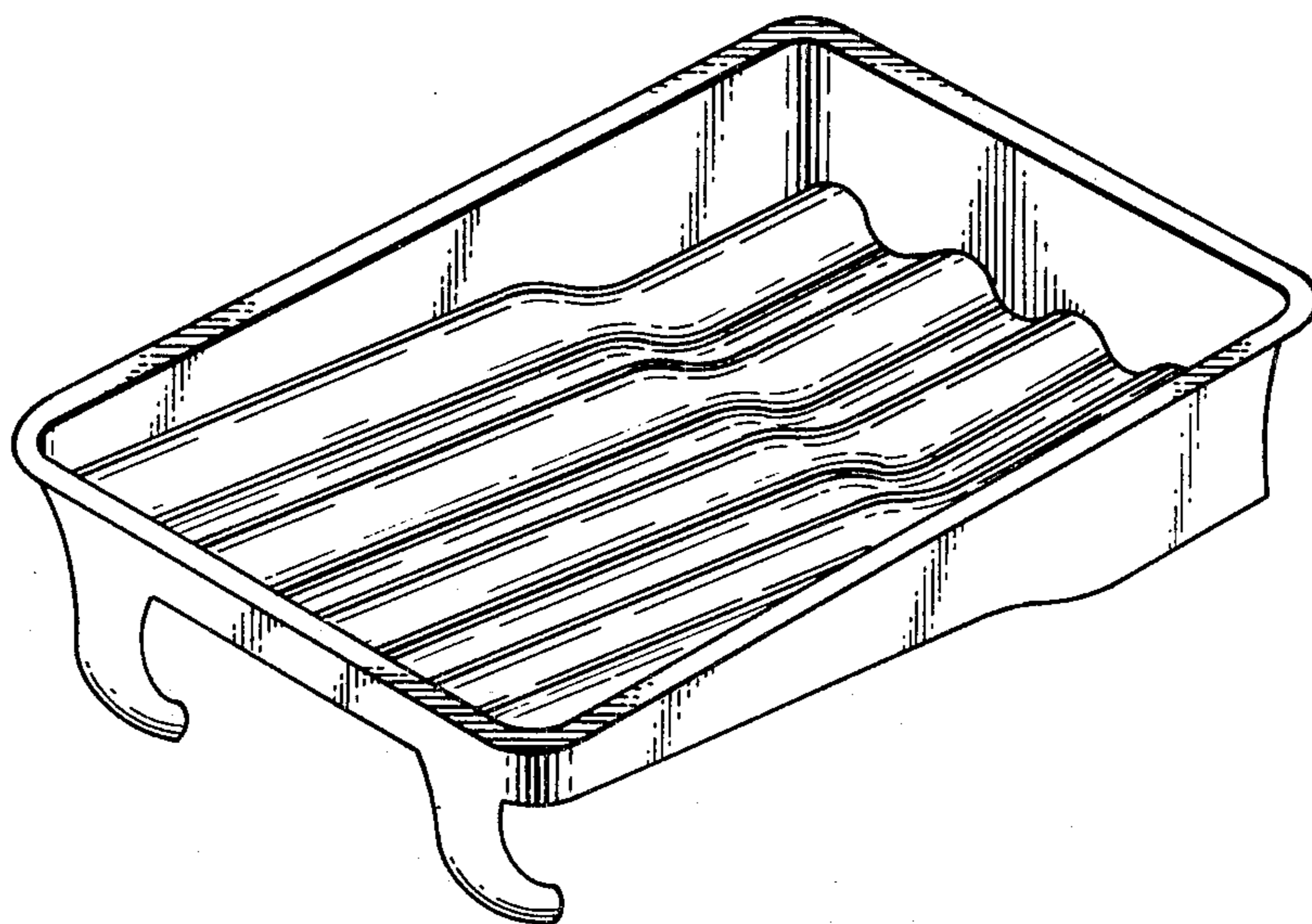


FIG. 2.

