

[54] AUTOMATIC FEEDER FOR BARN ANIMALS

[76] Inventor: Daniel F. Pitzen, 1137 10th Ave. North, Clinton, Iowa 52732

[**] Term: 14 Years

[21] Appl. No.: 642,450

[22] Filed: Aug. 20, 1984

[52] U.S. Cl. D30/15

[58] Field of Search D30/13-18; 119/51 R, 51 FS, 52 R, 52 AF, 53, 53.5, 54, 56 R

[56] References Cited

U.S. PATENT DOCUMENTS

1,020,790	3/1912	Baker	119/53
1,645,771	10/1927	Pillsbury	119/52 R X
2,858,801	11/1958	Chance	119/52 R
4,180,014	12/1979	Matthews	119/52 R

Primary Examiner—Wallace R. Burke
Assistant Examiner—Brian N. Vinson
Attorney, Agent, or Firm—Jacobson and Johnson

[57] CLAIM

The ornamental design for an automatic feeder for barn animals, as shown and described.

DESCRIPTION

FIG. 1 is a front perspective view of an automatic feeder for barn animals showing my new design, with the bottom panels shown broken-away to indicate indeterminate length;

FIG. 2 is a front elevational view thereof;

FIG. 3 is a left side elevational view thereof, the right side being identical in appearance;

FIG. 4 is a rear elevational view thereof;

FIG. 5 is a top plan view thereof;

FIG. 6 is a bottom plan view thereof; and

FIG. 7 is a front elevational view thereof, with the bottom panels shown in a closed position.

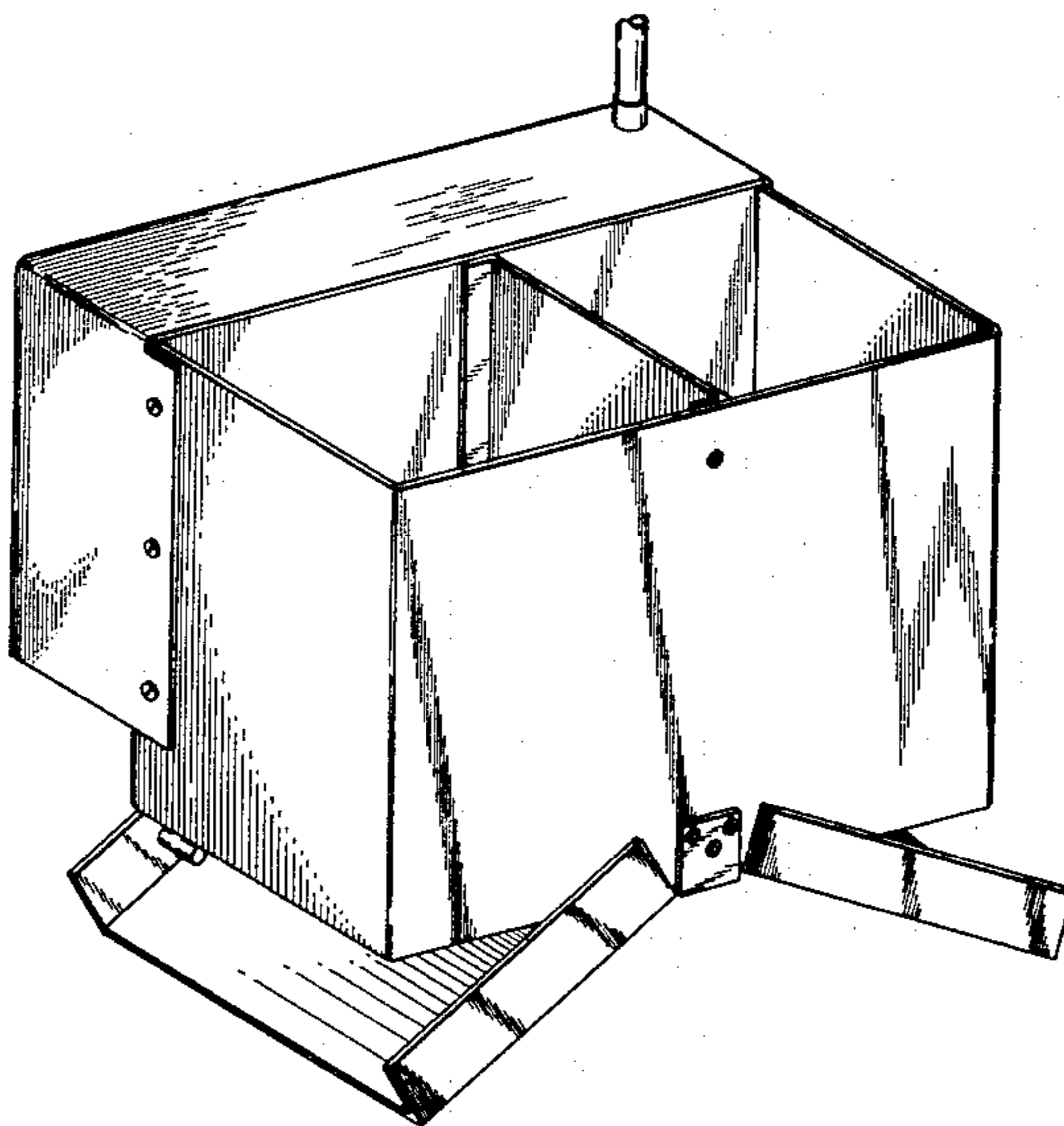


Fig. 1

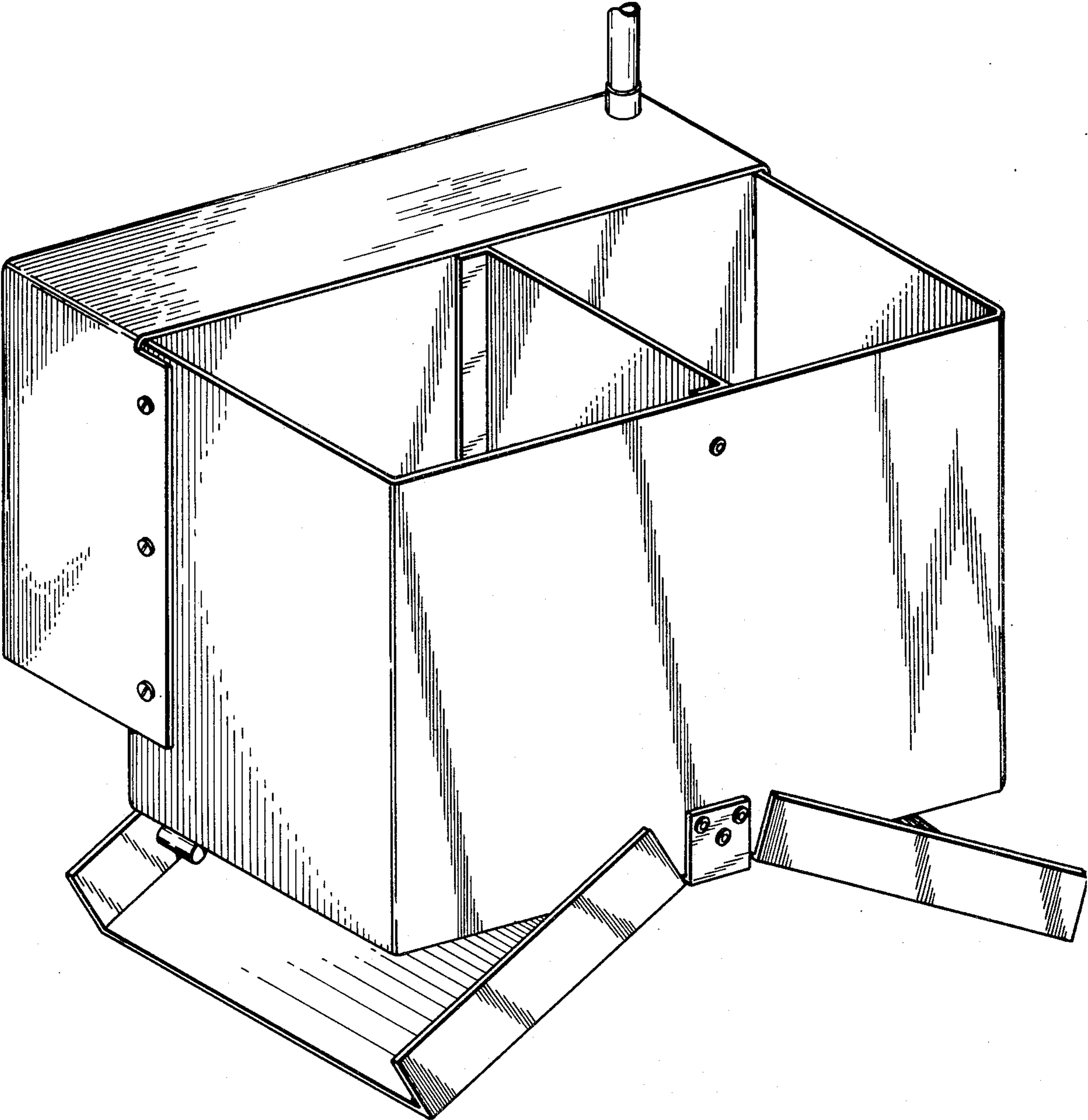


Fig. 2

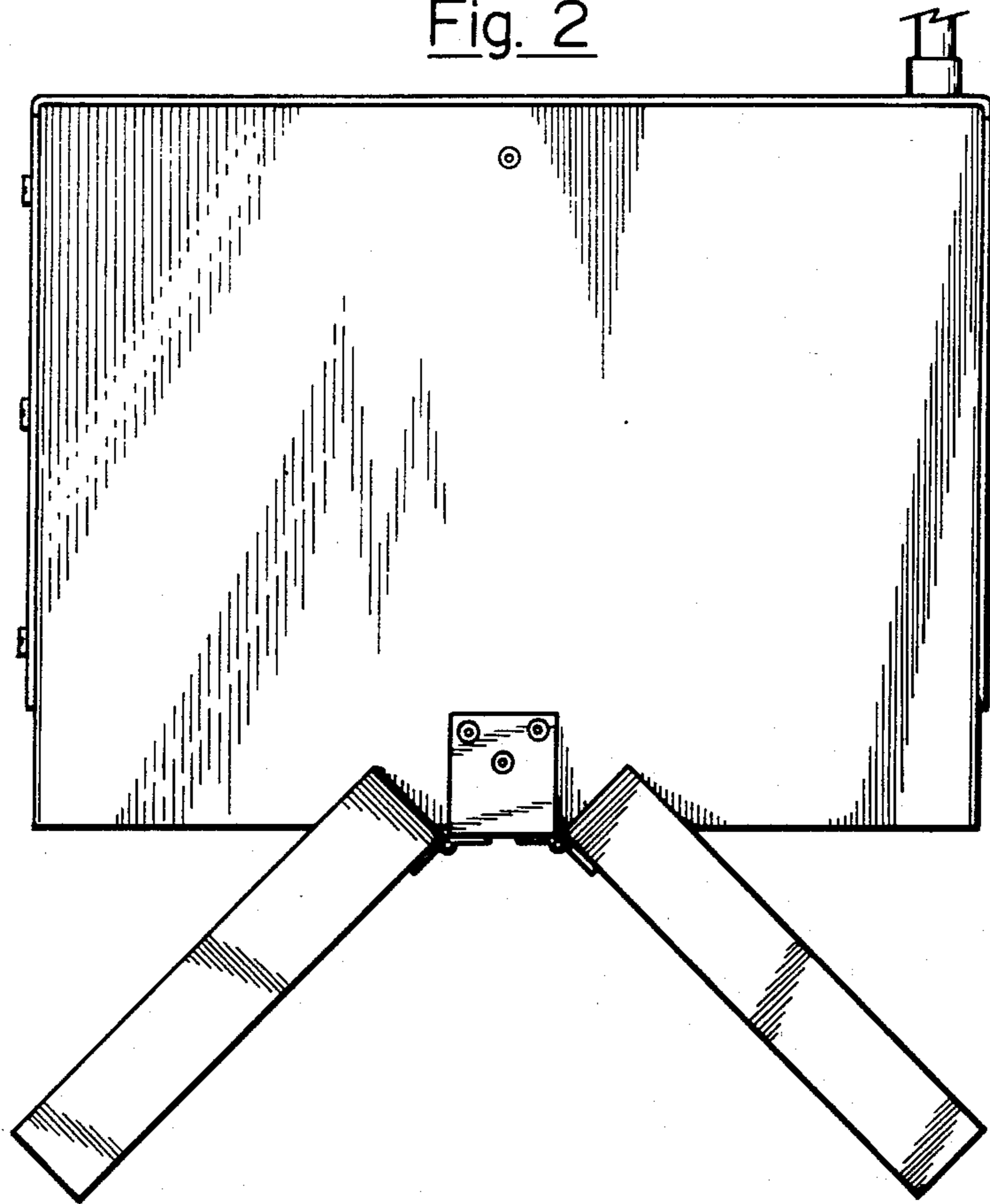


Fig. 3

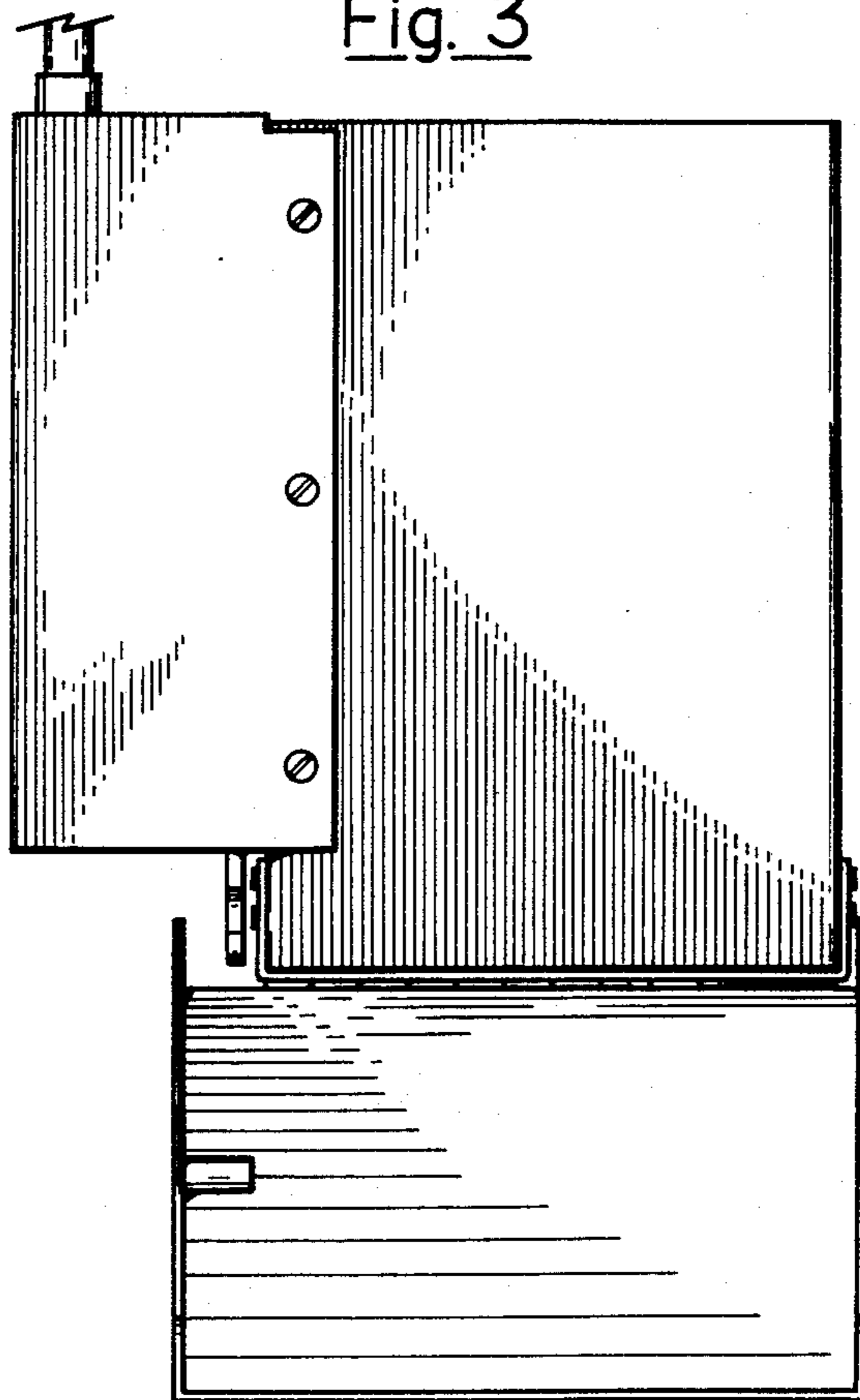


Fig. 4

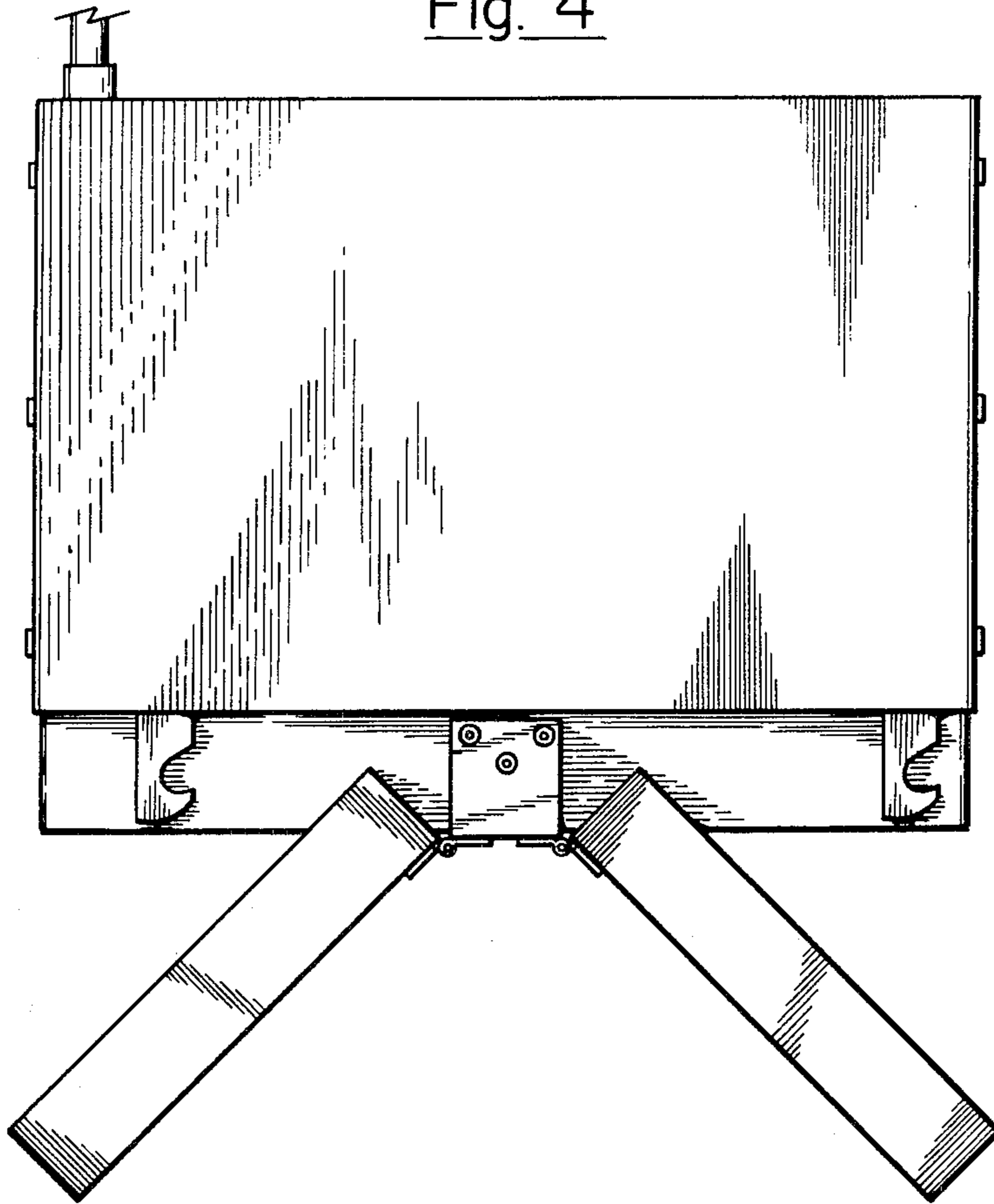


Fig. 5

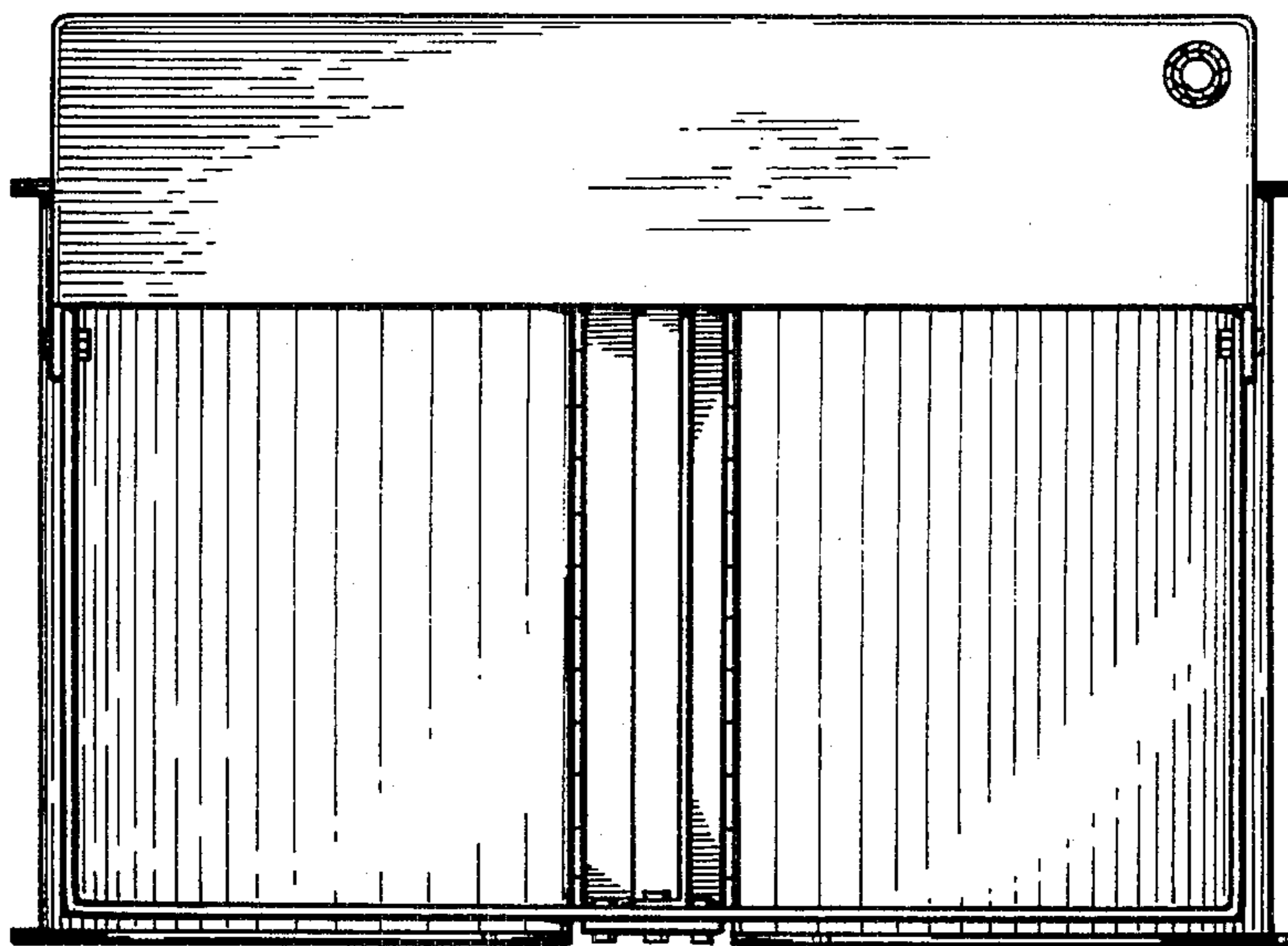


Fig. 6

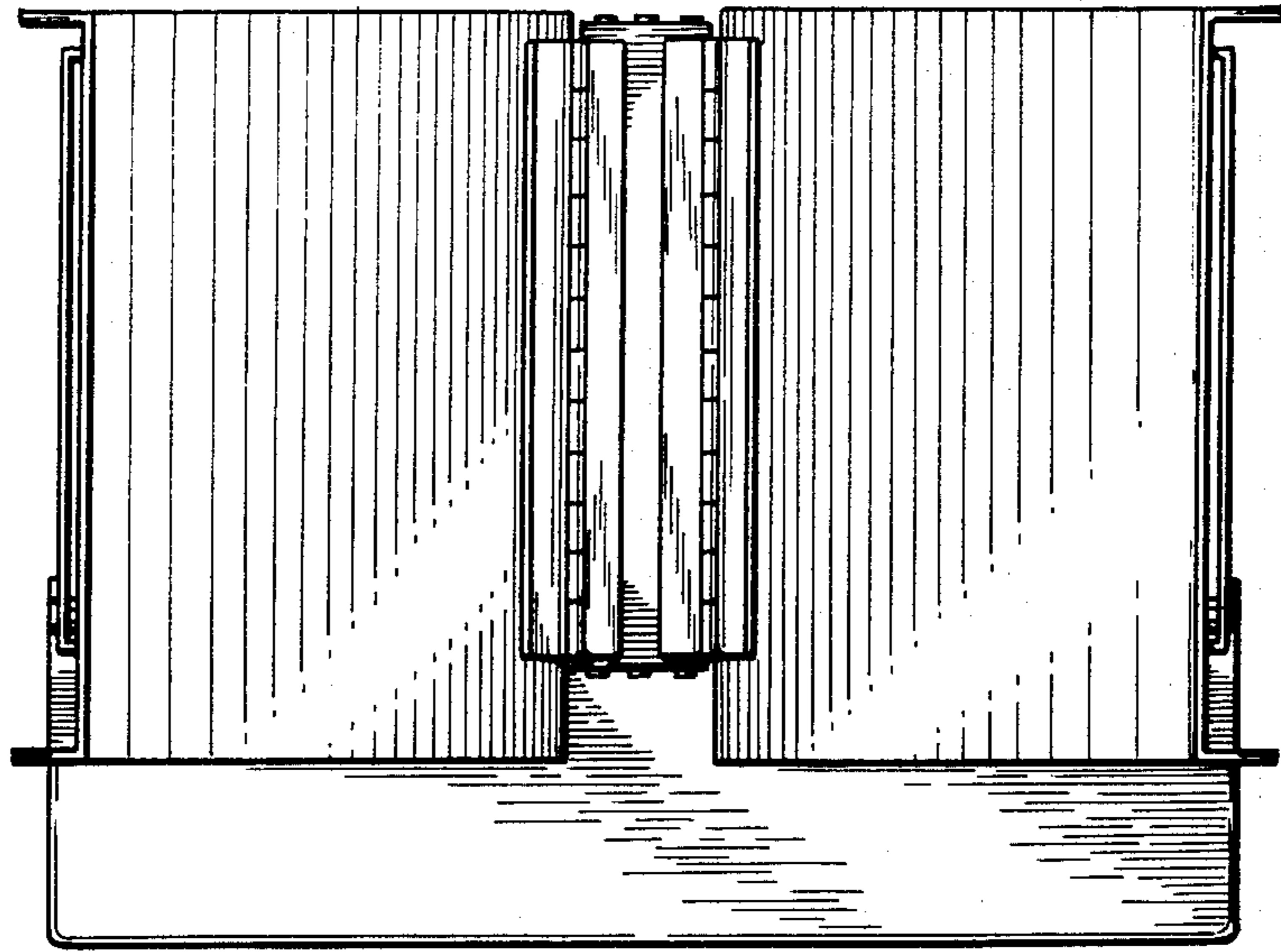


Fig. 7

