

[54] CHANDELIER

[75] Inventor: Mark Sink, Inglewood, Calif.

[73] Assignee: Forecast Lighting Company, Inglewood, Calif.

[**] Term: 14 Years

[21] Appl. No.: 692,168

[22] Filed: Jan. 17, 1985

[52] U.S. Cl. D26/86

[58] Field of Search D26/72, 75-92; 362/404, 405, 406, 407, 408

- D. 163,119 5/1951 Julien et al. .
- D. 170,841 11/1953 Vigon .
- D. 221,401 8/1971 Johnson .
- D. 241,066 8/1976 Schacht .
- D. 242,064 10/1976 Glassman D26/80
- D. 242,065 10/1976 Glassman D26/82
- D. 252,594 8/1979 Glassman D26/80
- D. 271,241 11/1983 Vrignaud .
- 2,625,648 1/1953 Zenda .

FOREIGN PATENT DOCUMENTS

2039525 2/1972 Fed. Rep. of Germany 362/407

OTHER PUBLICATIONS

Thomas Industries, "Starlight" Catalog, ©1982, p. 1, Hanging Lamp #SL-8126.

Primary Examiner—Susan J. Lucas
Attorney, Agent, or Firm—Spensley Horn Jubas & Lubitz

[56] References Cited

U.S. PATENT DOCUMENTS

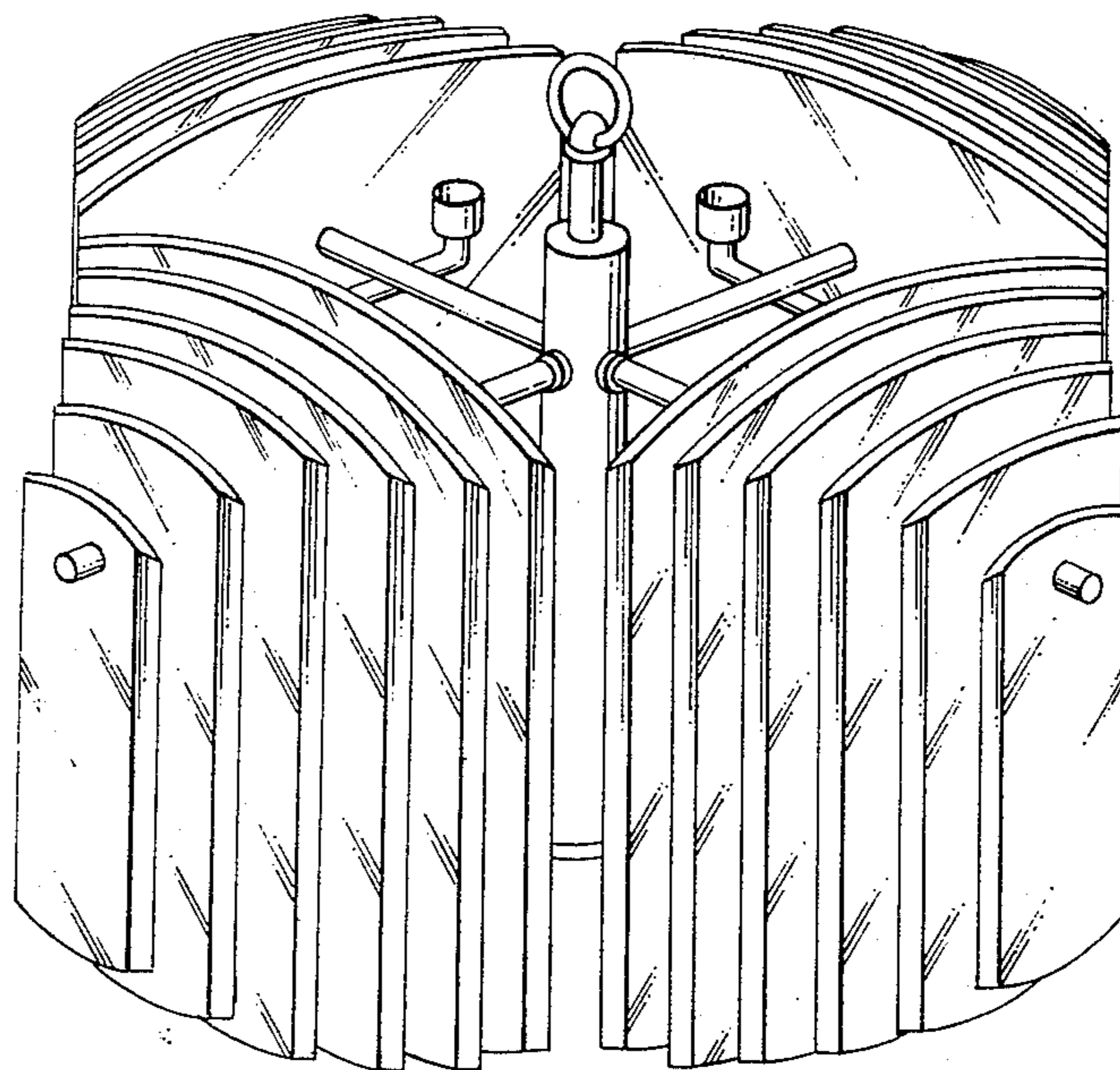
- D. 70,220 5/1926 Goodfriend .
- D. 79,307 8/1929 Rosenblatt .
- D. 79,364 9/1929 Hellvik .
- D. 80,534 2/1930 Kramer .
- D. 80,727 3/1930 Hoffmann .
- D. 80,794 3/1930 Kramer .
- D. 80,892 4/1930 Hoffmann .
- D. 80,912 4/1930 Rosenblatt .
- D. 80,913 4/1930 Rosenblatt .
- D. 81,024 4/1930 Rosenblatt .
- D. 81,892 8/1930 Rosenblatt .
- D. 83,633 3/1931 McFadden .
- D. 84,373 6/1931 Rosenblatt .
- D. 97,560 11/1935 Naftalin .
- D. 97,583 11/1935 Naftalin .
- D. 112,841 1/1939 Manning .
- D. 112,842 1/1939 Manning .
- D. 112,843 1/1939 Manning .
- D. 114,088 4/1939 Manning .
- D. 124,018 12/1940 Davis .
- D. 155,680 10/1949 Baker .
- D. 162,173 2/1951 Julien et al. .

[57] CLAIM

The ornamental design for a chandelier, as shown and described.

DESCRIPTION

FIG. 1 is a perspective view of a chandelier showing my new design;
 FIG. 2 is a top plan view thereof on an enlarged scale;
 FIG. 3 is a front elevational view thereof on an enlarged scale;
 FIG. 4 is a side elevational view thereof on an enlarged scale;
 FIG. 5 is an opposite side elevational view thereof on an enlarged scale;
 FIG. 6 is a rear elevational view thereof on an enlarged scale;
 FIG. 7 is a bottom plan view thereof on an enlarged scale.



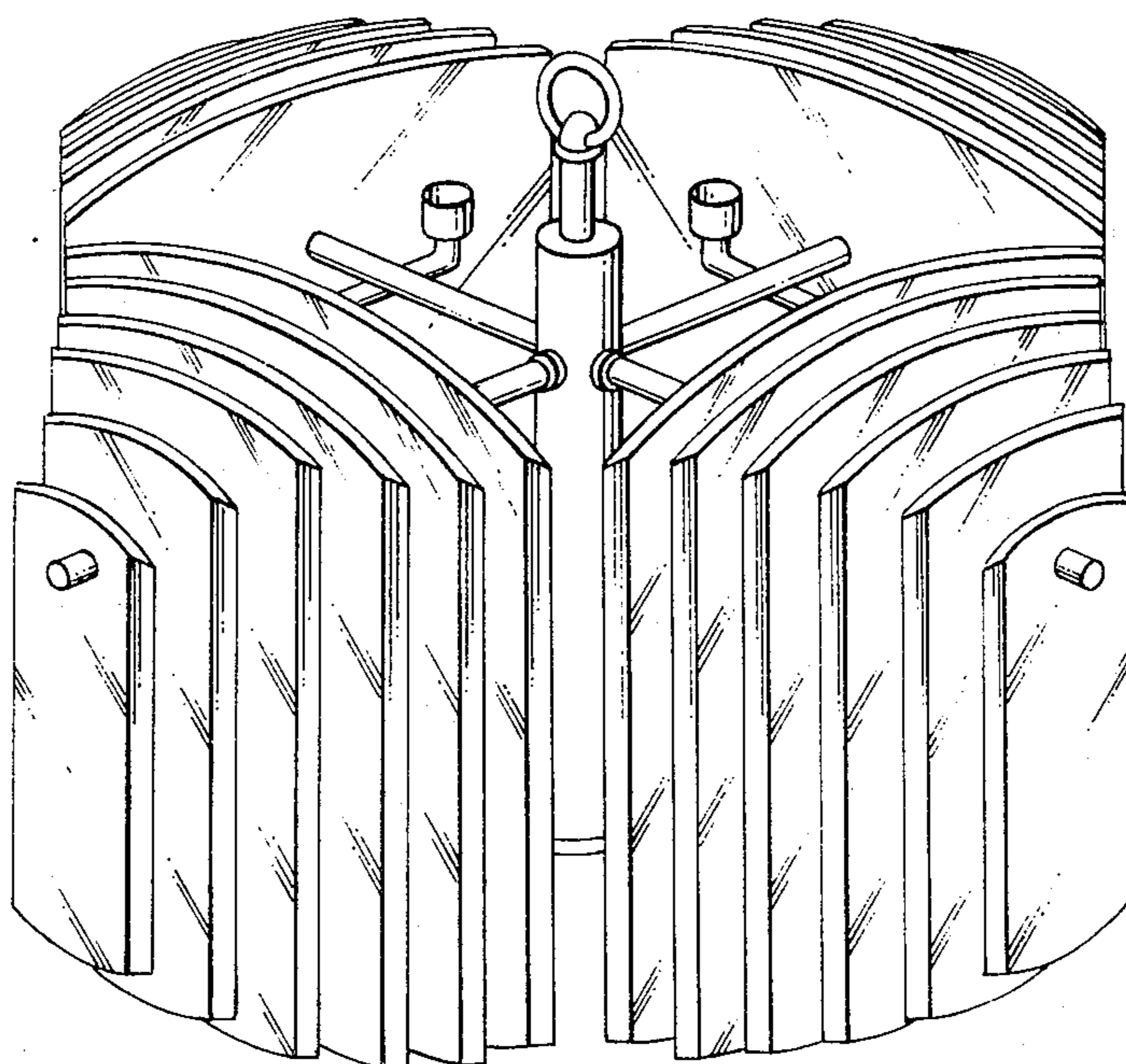


Fig. 1

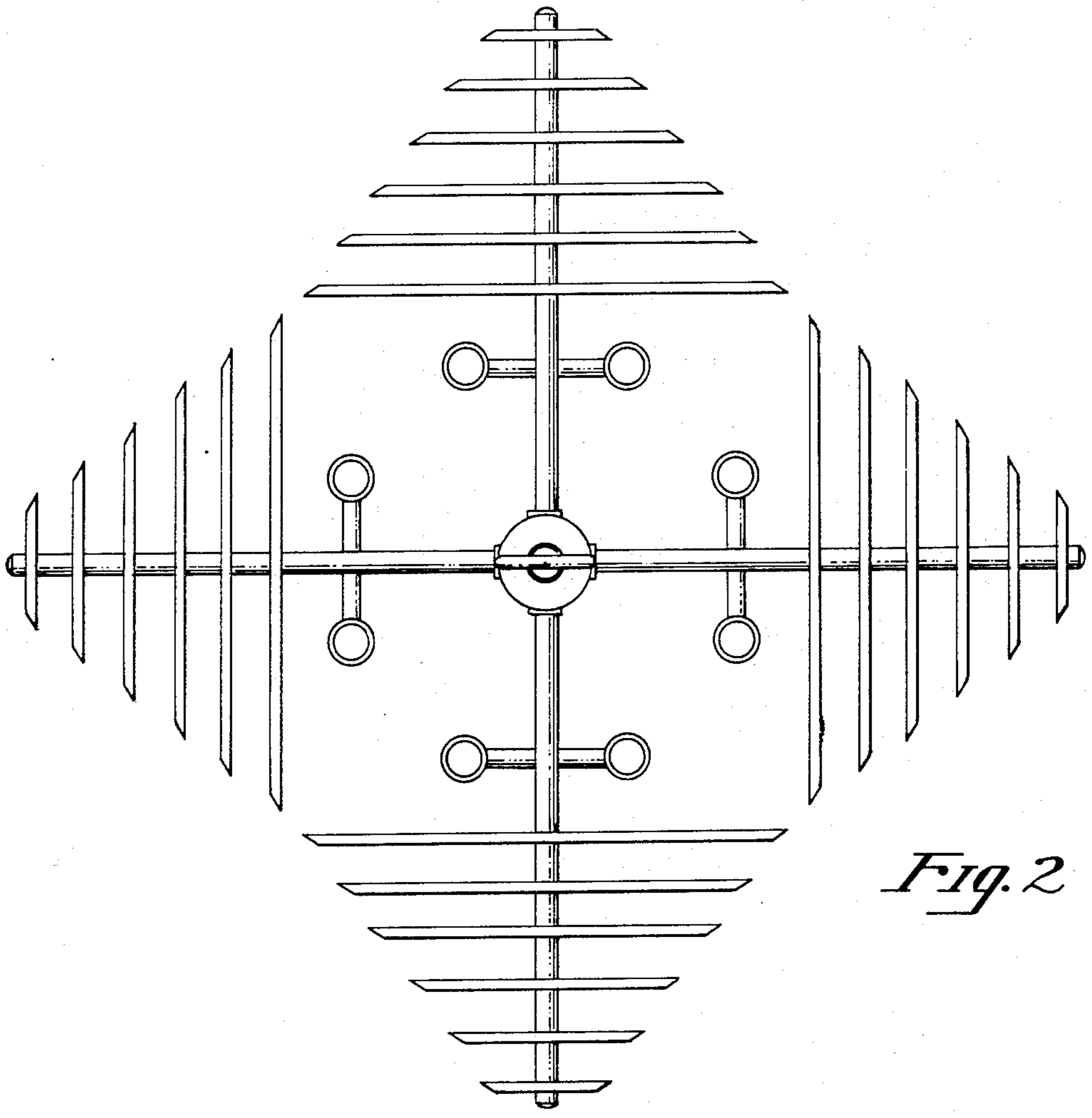


Fig. 2

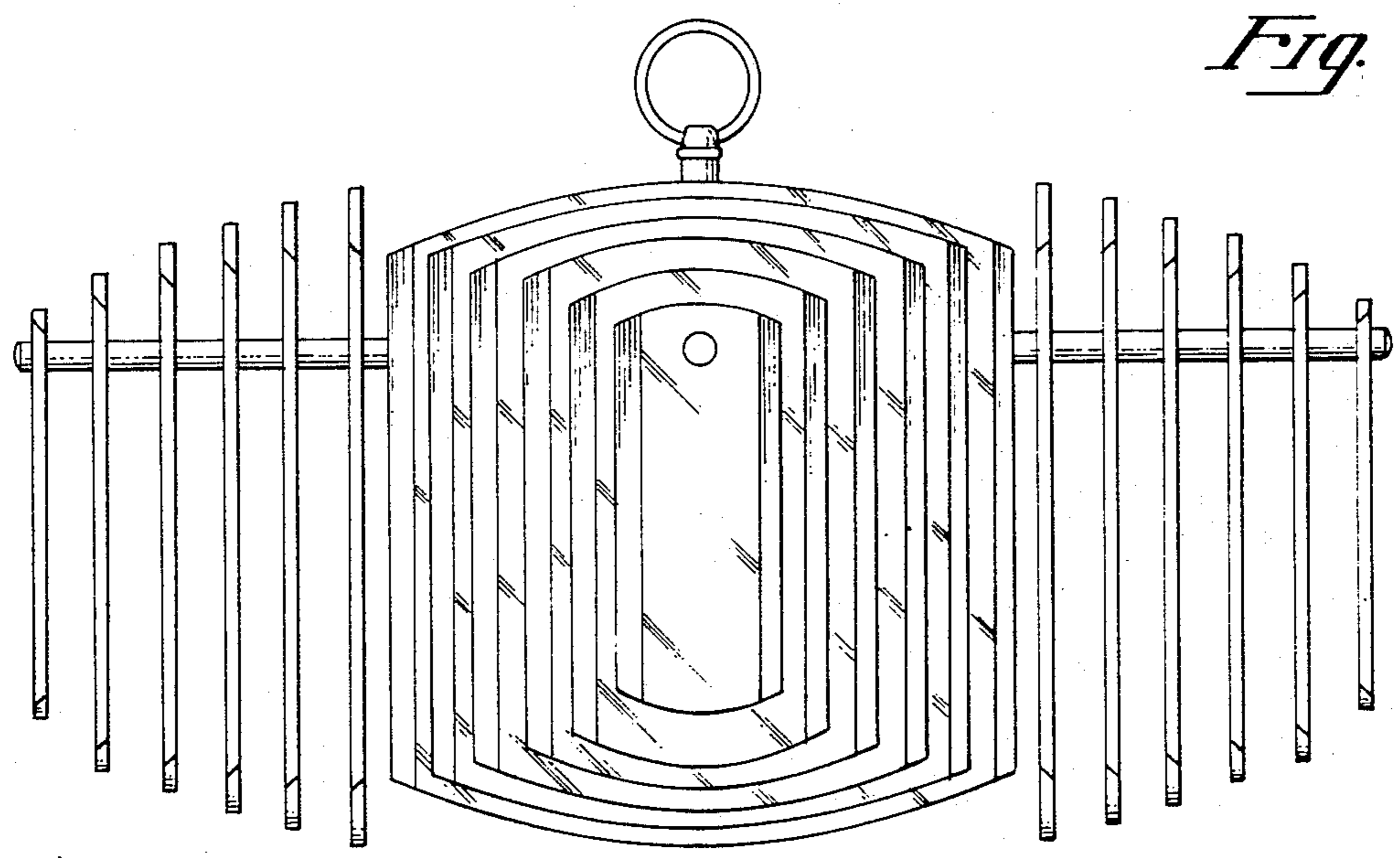


Fig. 3

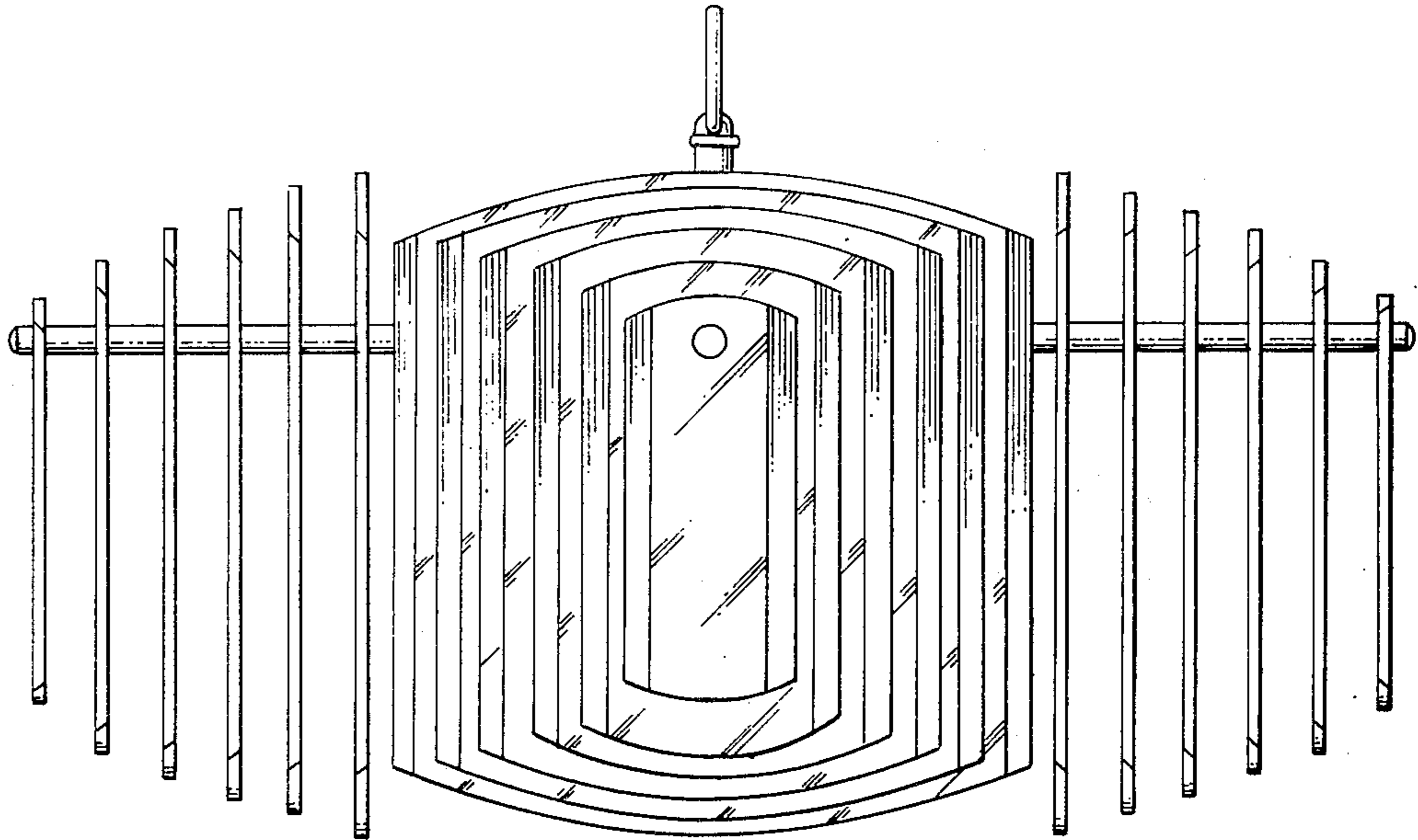


Fig. 4

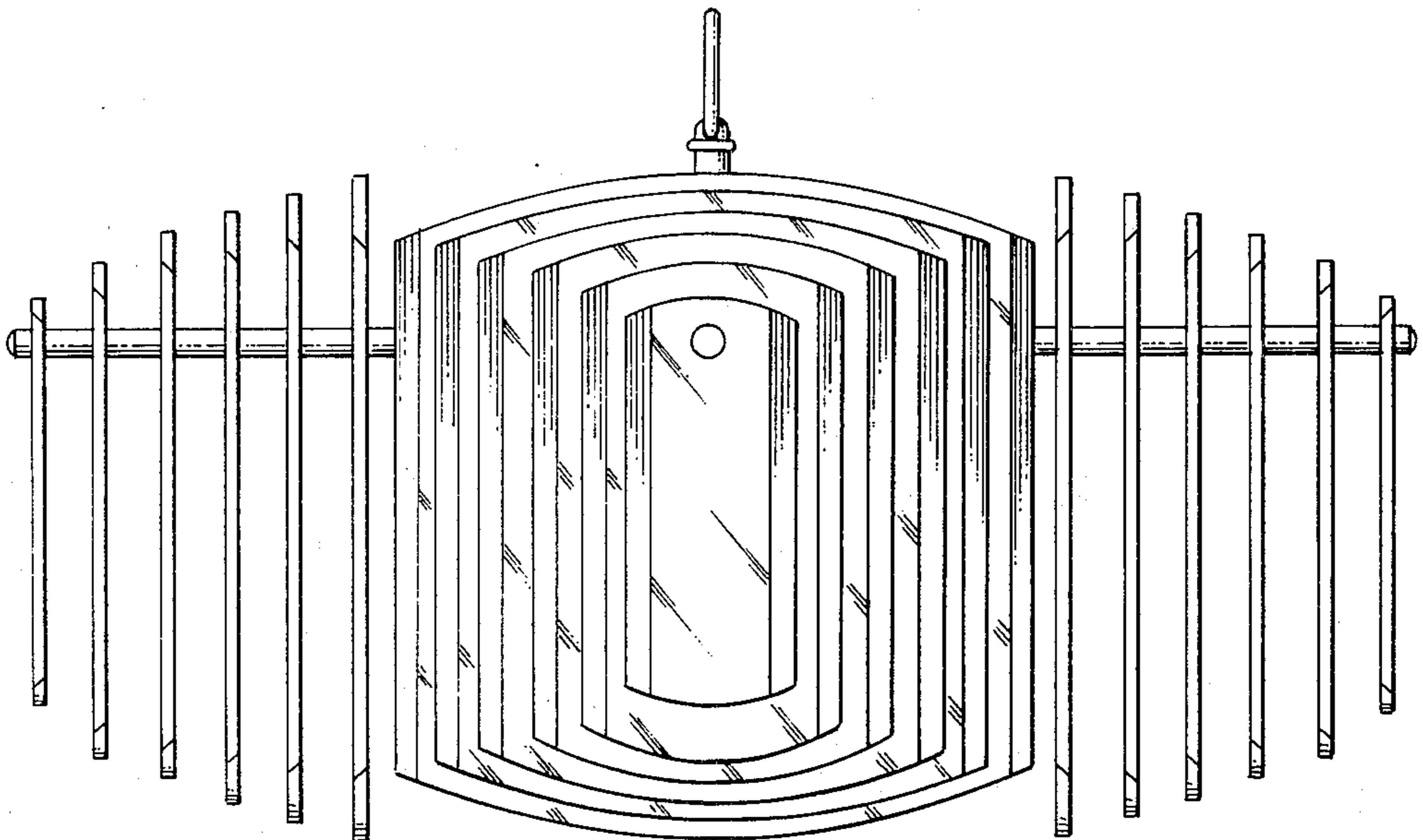


Fig. 5

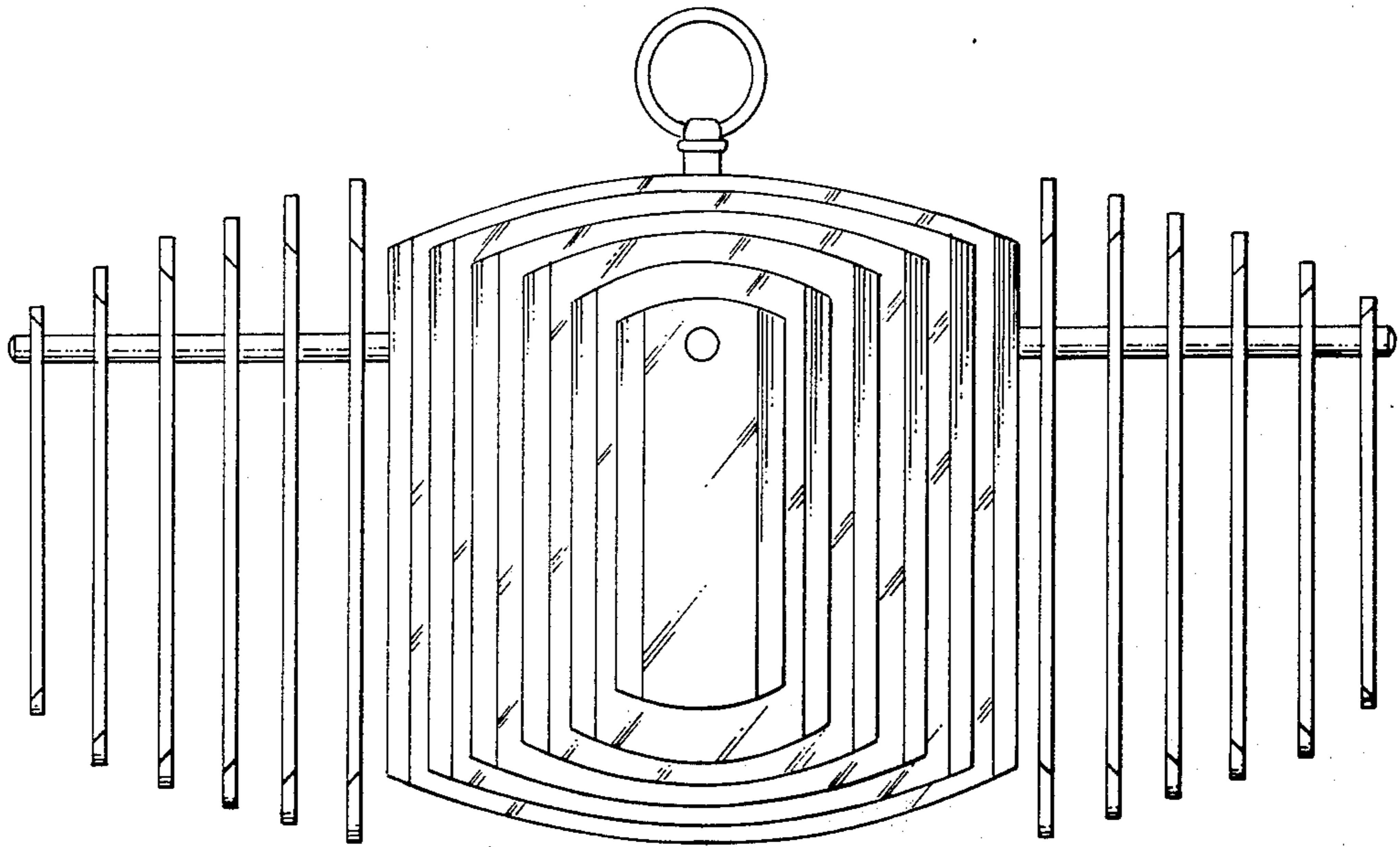


Fig. 6

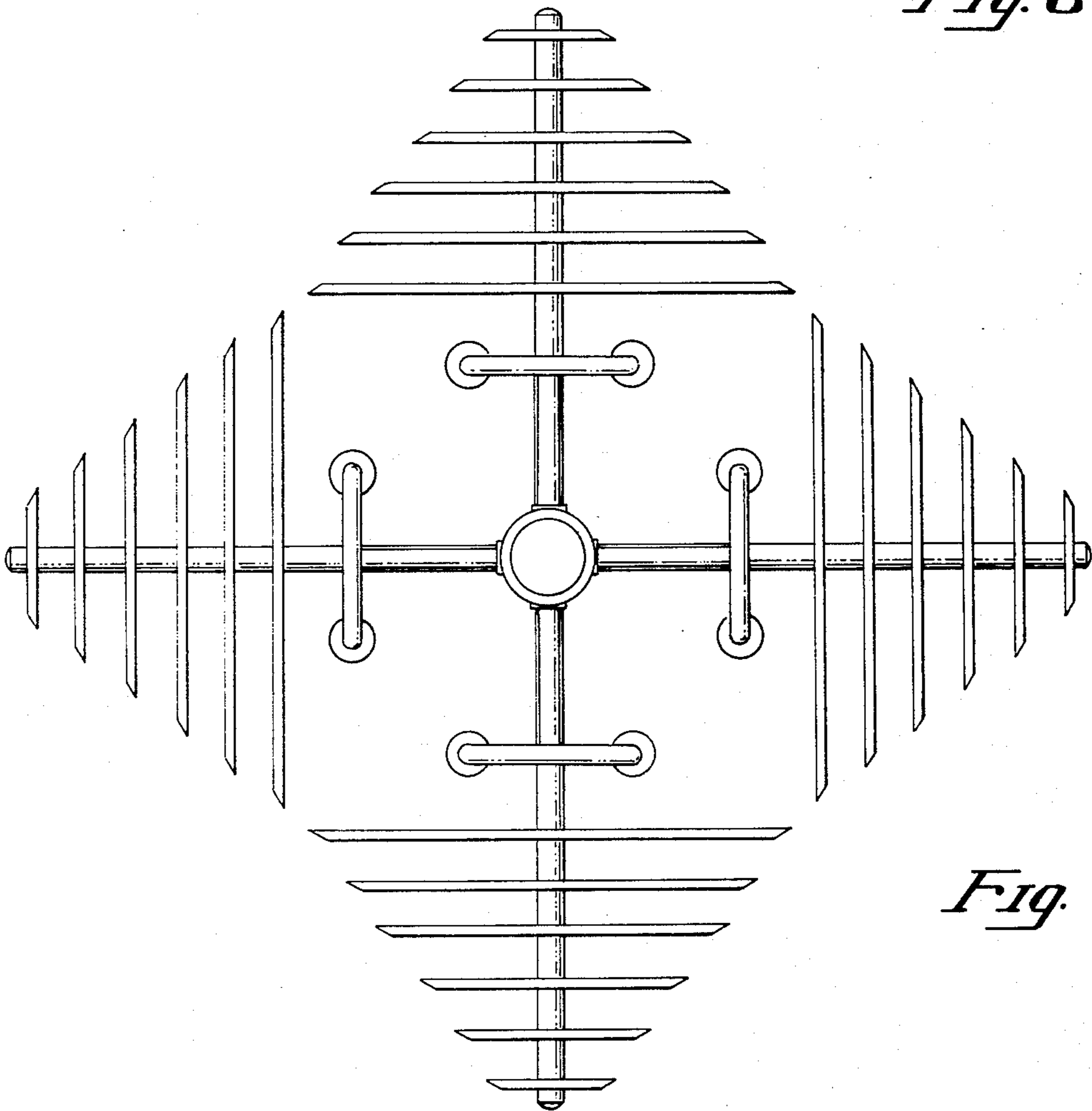


Fig. 7