

[54] **LIGHTING FIXTURE**

[75] **Inventors: Michael T. Jankowski, Leek; Hans T. Meelen, Geldrop, both of Netherlands**

[73] **Assignee: U.S. Philips Corporation, New York, N.Y.**

[**] **Term: 14 Years**

[21] **Appl. No.: 609,246**

[22] **Filed: May 11, 1984**

[30] **Foreign Application Priority Data**

| | |
|-----------------------------------|--|
| Nov. 17, 1983 [XB] Benelux | 58433-02 |
| [52] U.S. Cl. | D26/65 |
| [58] Field of Search | D26/24, 60-65; |
| | 362/269, 275, 277, 285, 297, 311, 362, 404, 418, |
| | 427 |

[56] **References Cited**

U.S. PATENT DOCUMENTS

| | | | |
|------------|---------|-----------------------|----------|
| D. 208,877 | 10/1967 | MacLeod, Jr. | D26/63 |
| 3,725,695 | 4/1973 | Eversberg et al. | D26/63 X |

OTHER PUBLICATIONS

Abitare, 3-1983, p. 76 (Ads), Spotlight (center).
Schöner Wohnen, 4-1979, p. SW31.

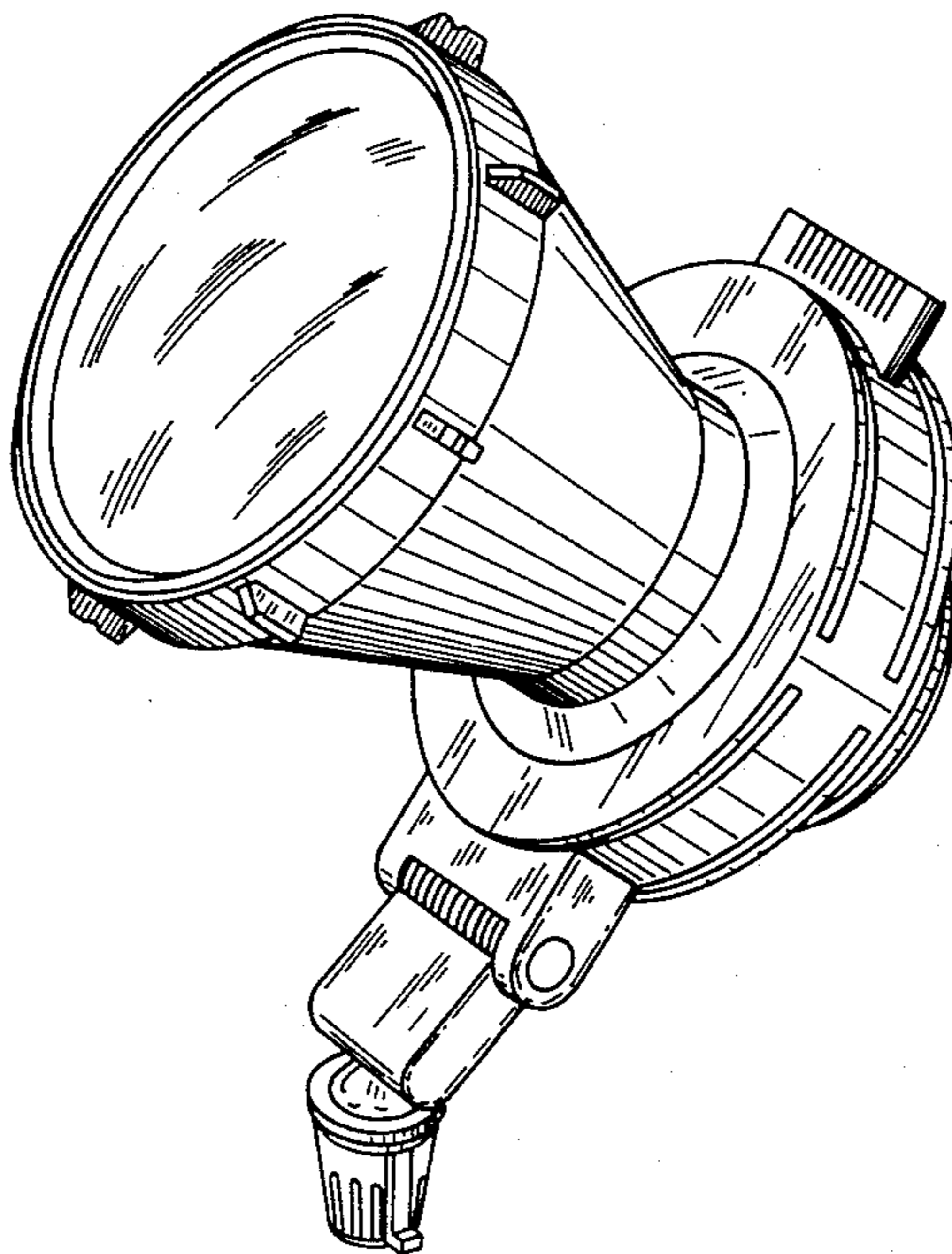
Primary Examiner—Susan J. Lucas
Attorney, Agent, or Firm—Rolf E. Schneider

[57] **CLAIM**

The ornamental design for a lighting fixture, as shown.

DESCRIPTION

FIG. 1 is a front, top and right side perspective view of lighting fixture showing our new design;
FIG. 2 is a right side elevational view thereof;
FIG. 3 is a left side elevational view thereof;
FIG. 4 is a front elevational view thereof;
FIG. 5 is a rear elevational view thereof;
FIG. 6 is a top plan view thereof; and
FIG. 7 is a bottom plan view thereof.



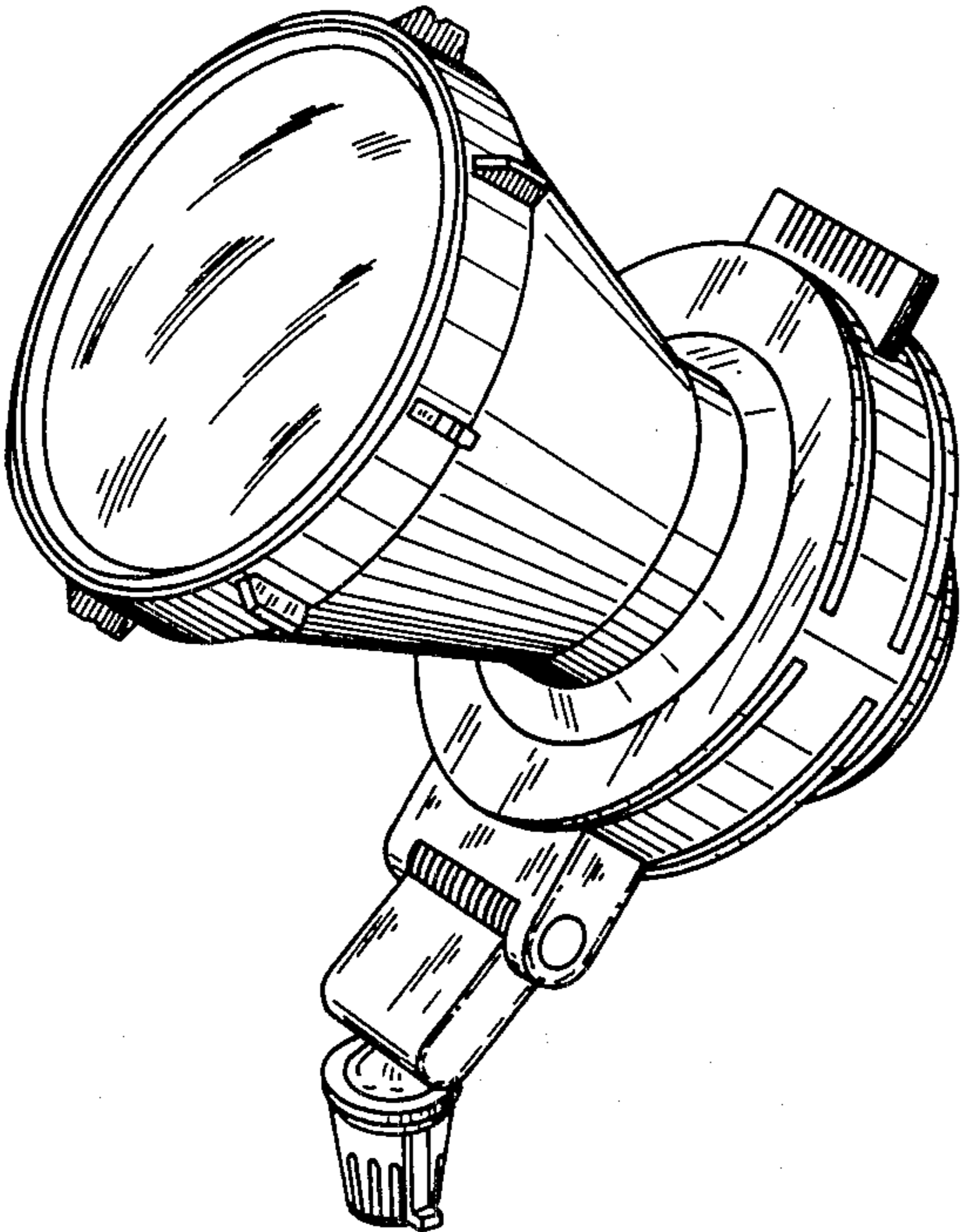


FIG. 1

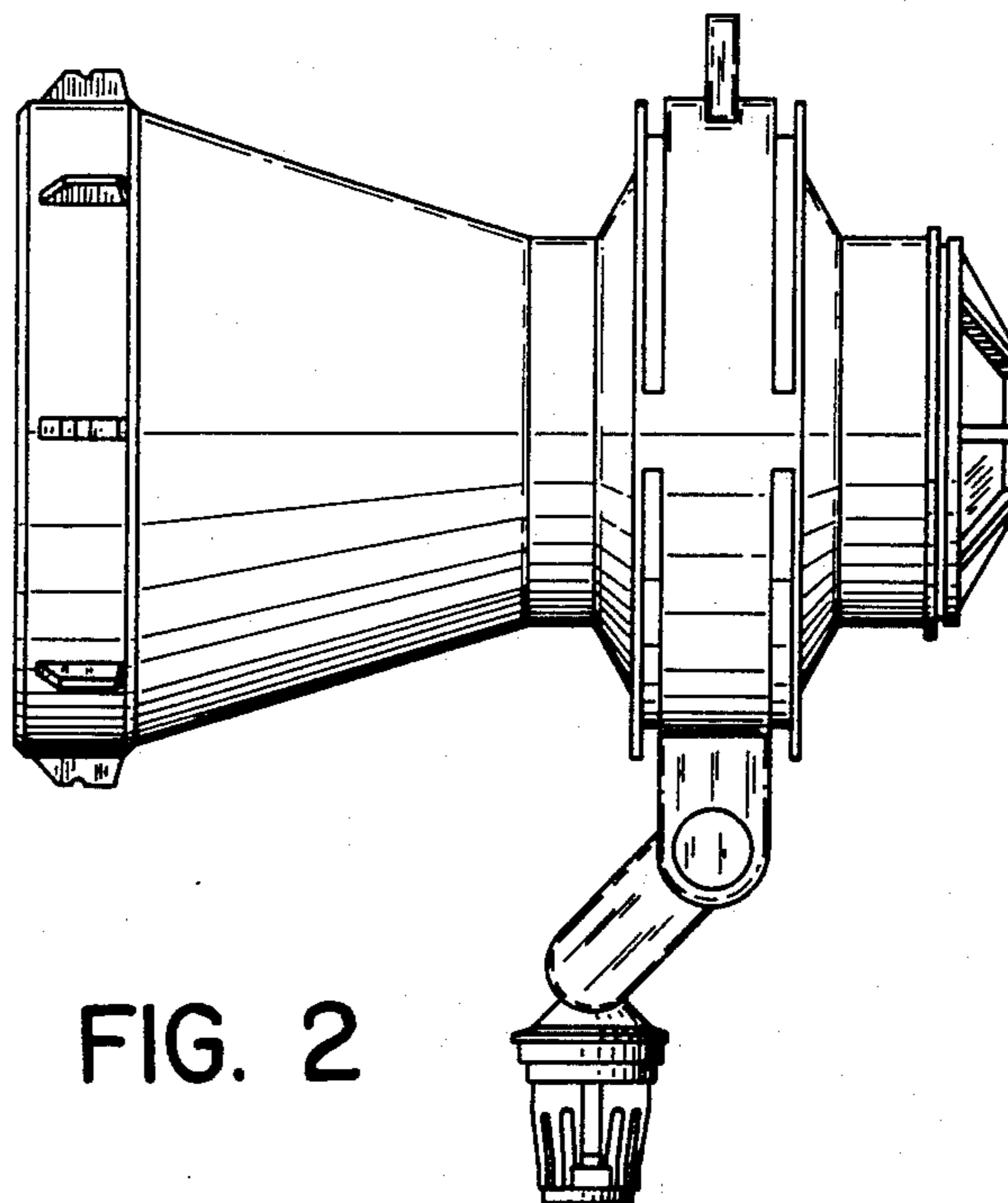


FIG. 2

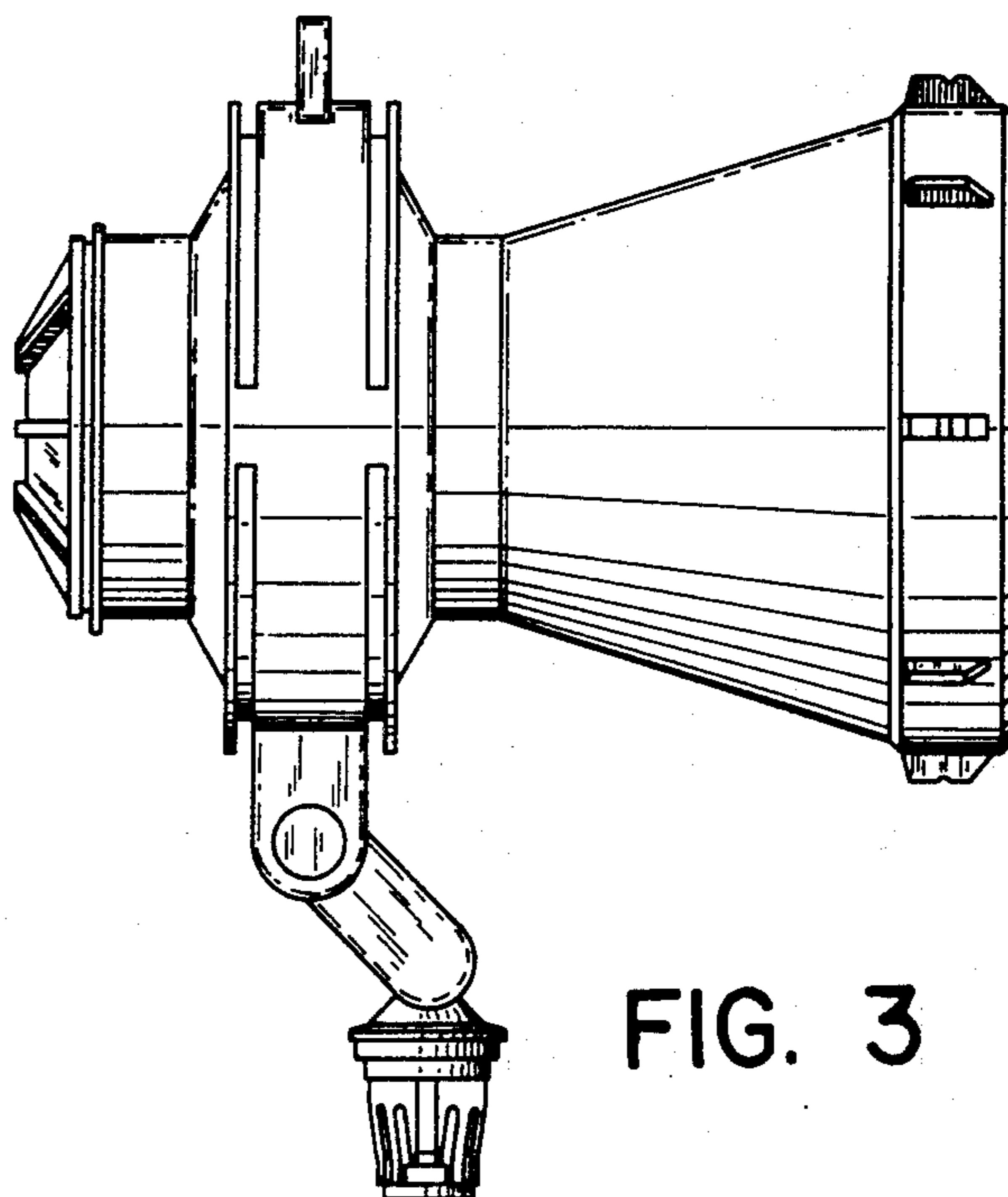


FIG. 3

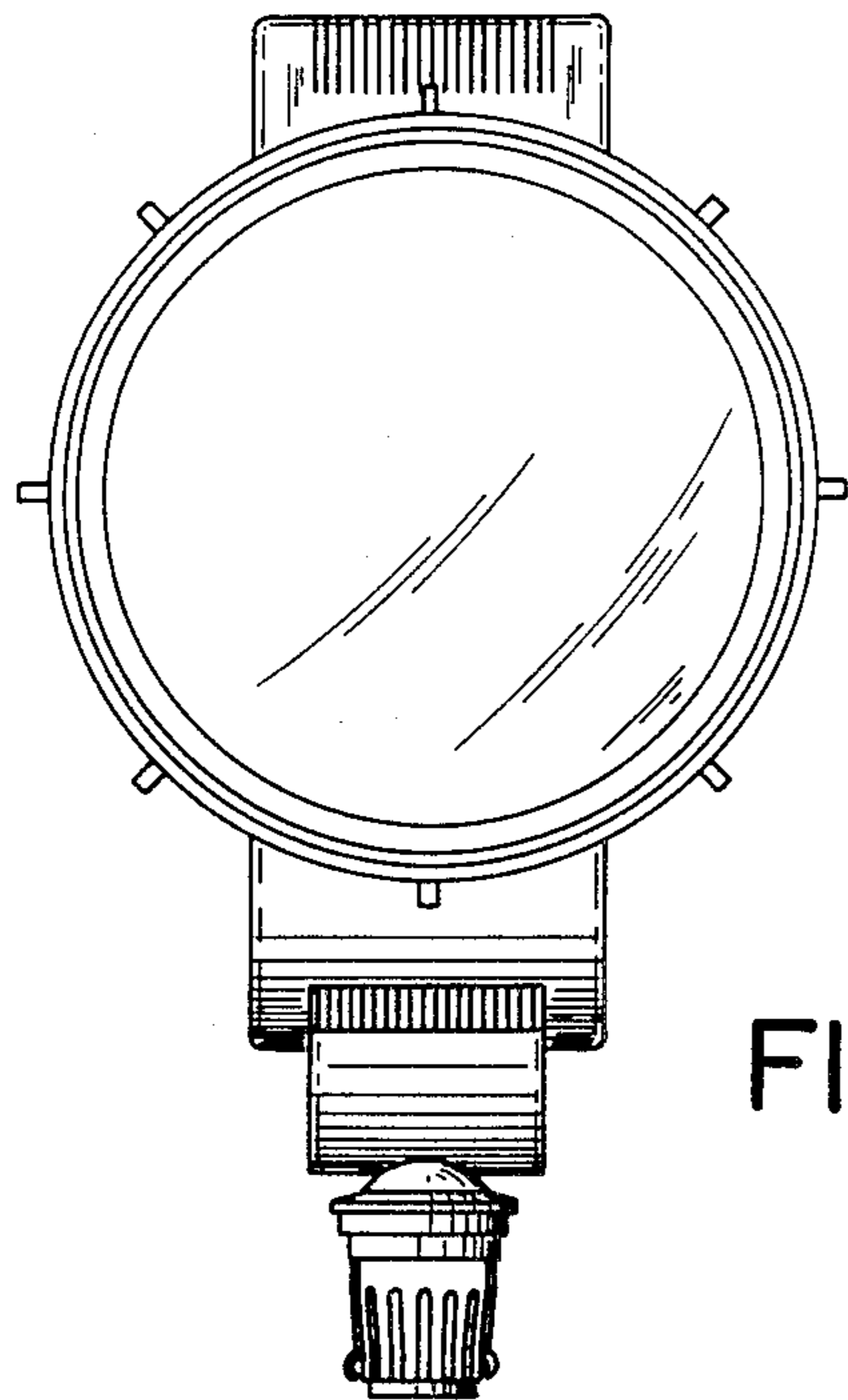


FIG. 4

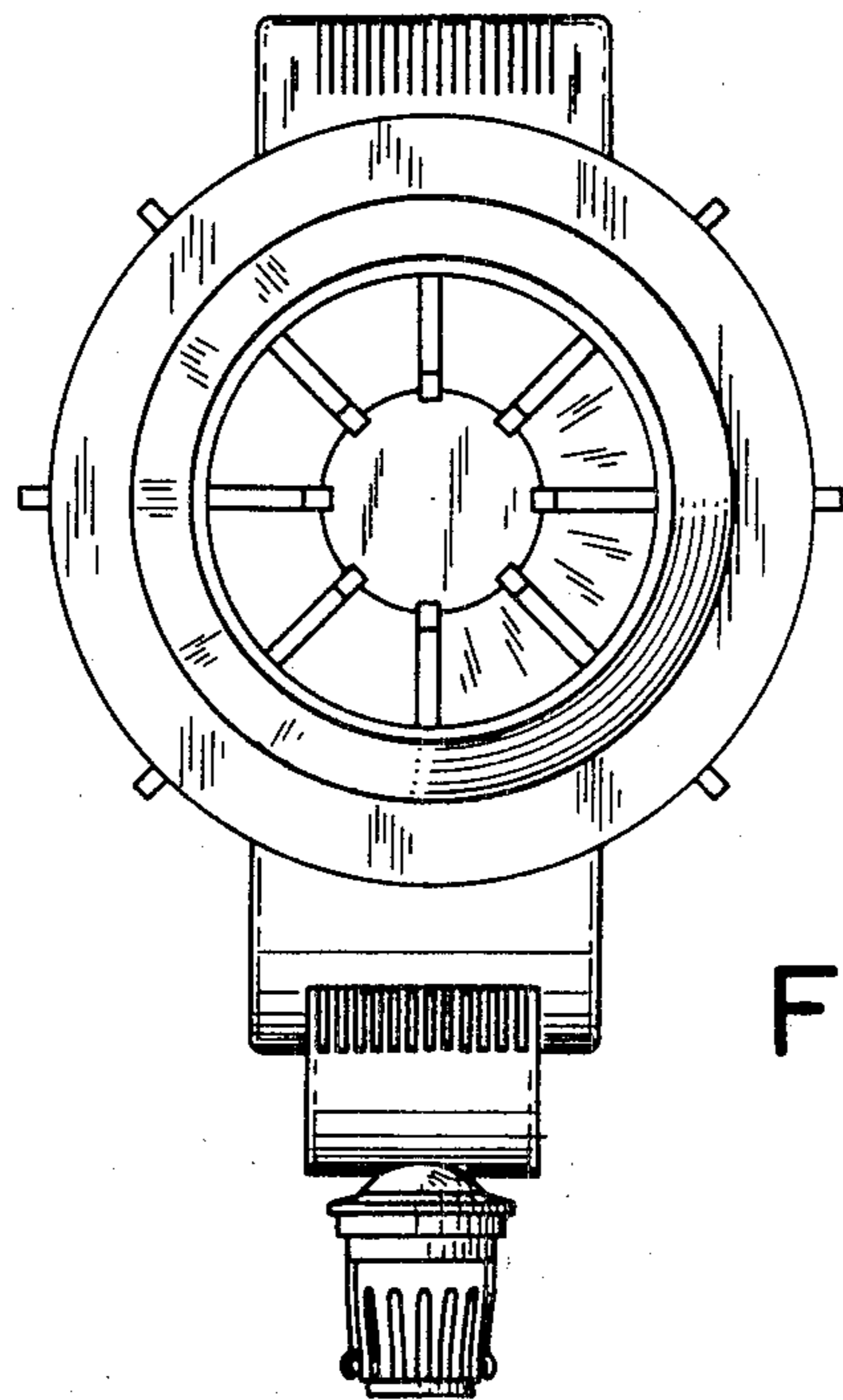


FIG. 5

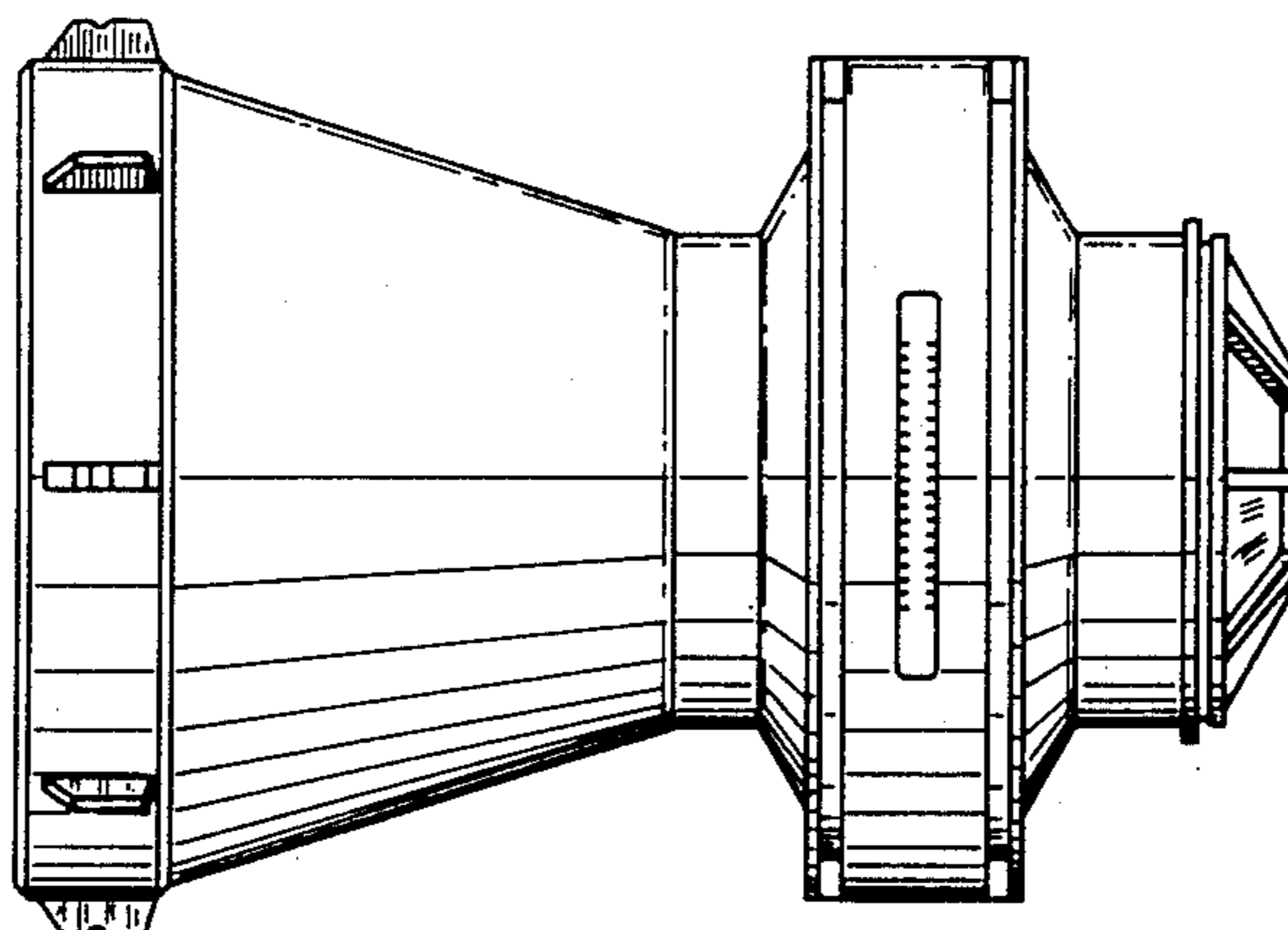


FIG. 6

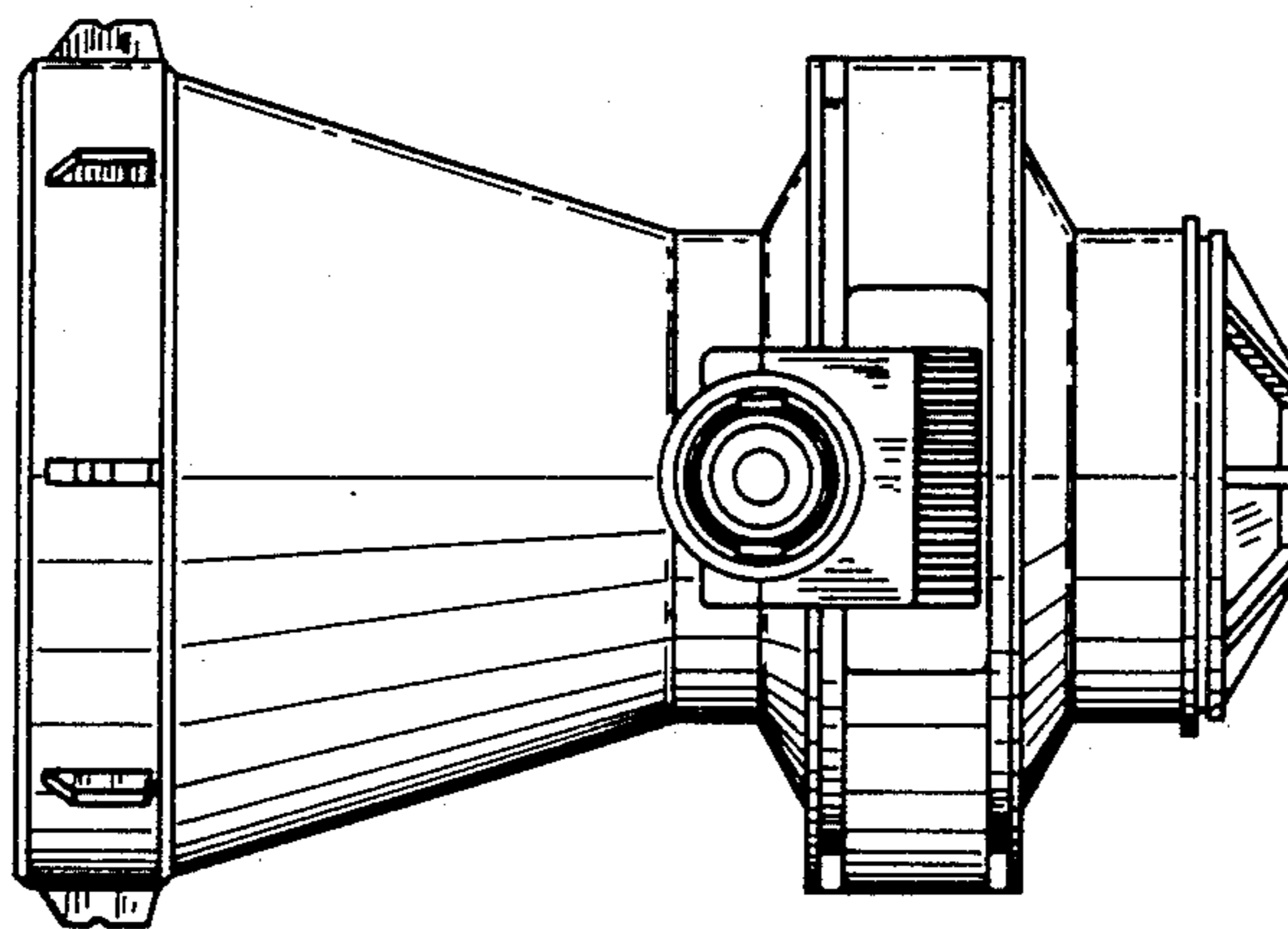


FIG. 7