

[54] **SURGICAL FASTENER**

[75] Inventors: **Herbert W. Korthoff, Wilton; Ronald L. Crossley, Wallingford, both of Conn.**

[73] Assignee: **United States Surgical Corporation, Norwalk, Conn.**

[\*\*] Term: **14 Years**

[21] Appl. No.: **814,964**

[22] Filed: **Dec. 31, 1985**

[52] U.S. Cl. .... **D24/27; D24/29**

[58] Field of Search ..... **D24/26, 27, 28, 29; 128/92 B, 92 R, 334 R, 334 C, 335; 227/DIG. 1, 19, 83, 107, 110, 124; 411/456, 457, 461, 477, 478**

[56] **References Cited**

**U.S. PATENT DOCUMENTS**

4,090,337	5/1978	Szekeres .....	411/456 X
4,534,350	8/1985	Golden et al. ....	128/334 C

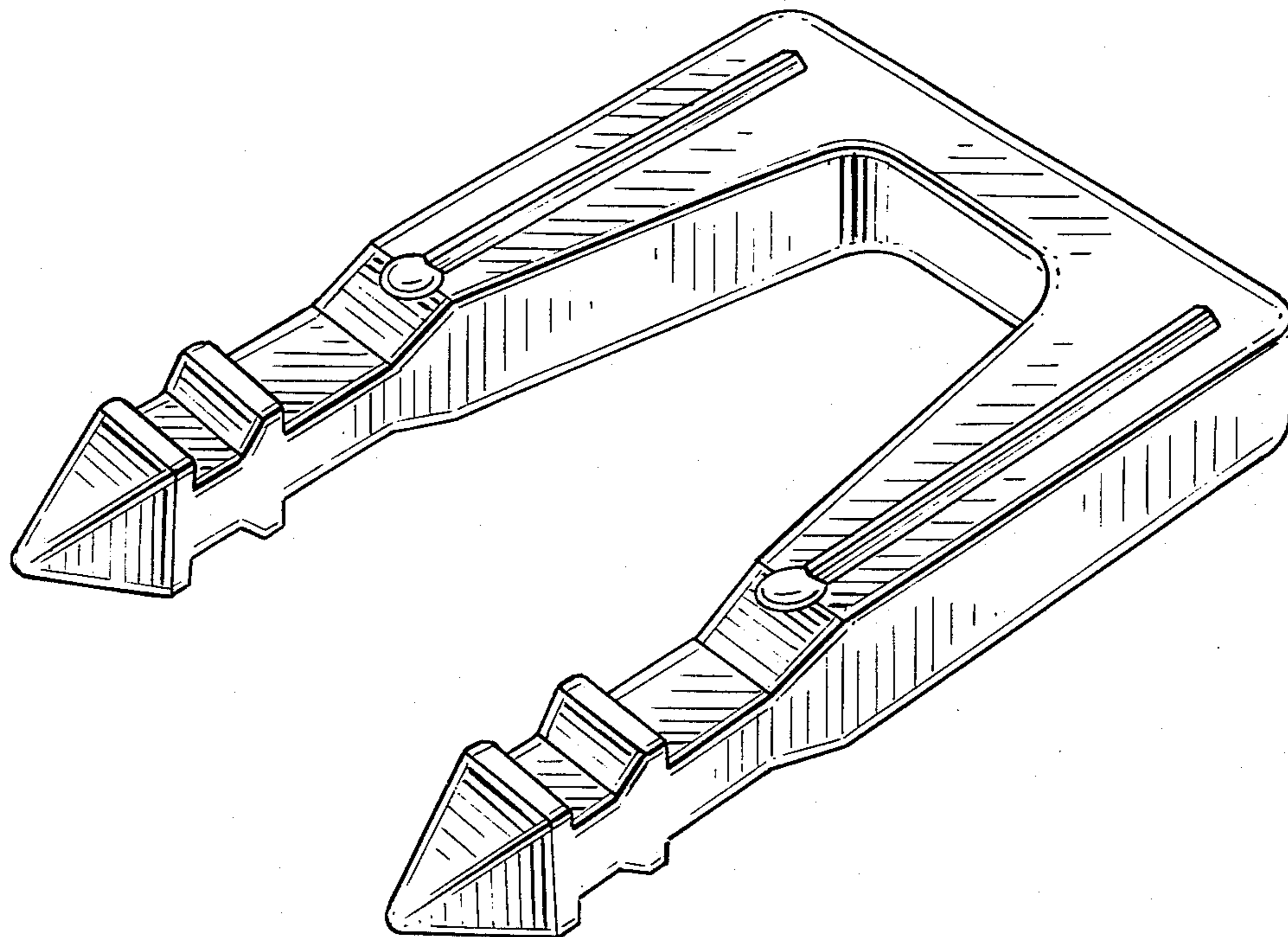
*Primary Examiner*—A. Hugo Word  
*Assistant Examiner*—Stella M. Reid  
*Attorney, Agent, or Firm*—Thomas R. Bremer

[57] **CLAIM**

The ornamental design for a surgical fastener, substantially as shown and described.

**DESCRIPTION**

FIG. 1 is a front perspective view of a surgical fastener, showing our new design;  
FIG. 2 is a side elevational view thereof;  
FIG. 3 is a front elevational view thereof;  
FIG. 4 is a top plan view thereof; and  
FIG. 5 is a bottom plan view thereof.



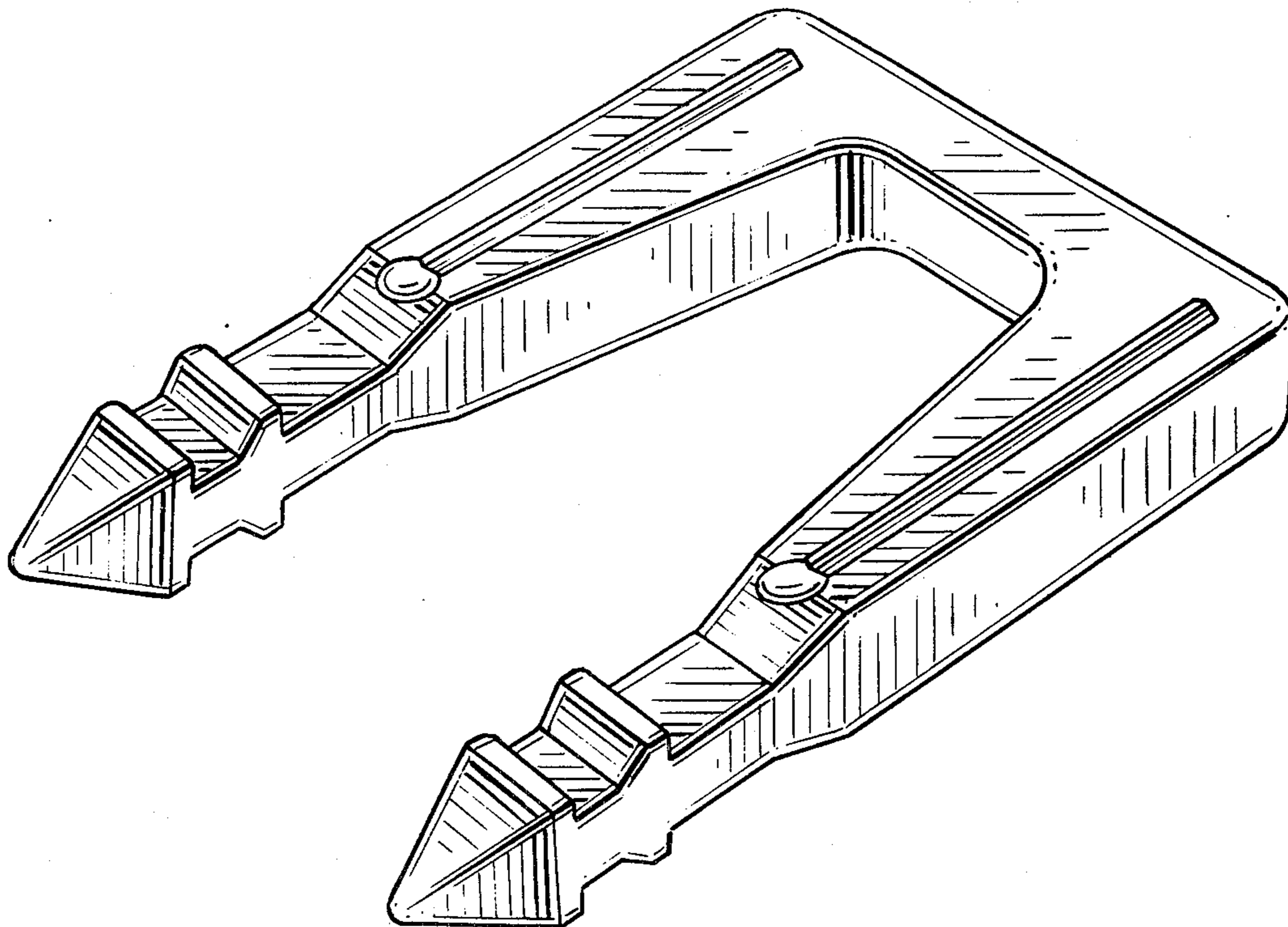


Fig. 1.

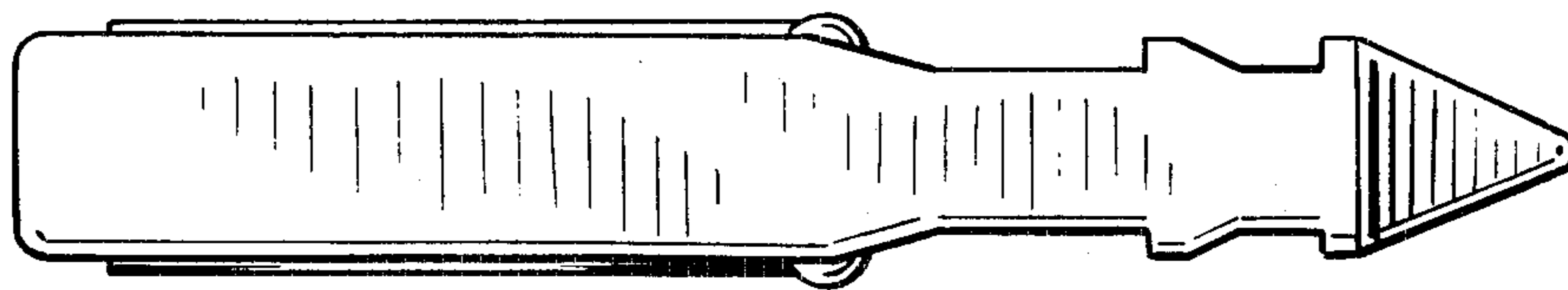


Fig. 2.

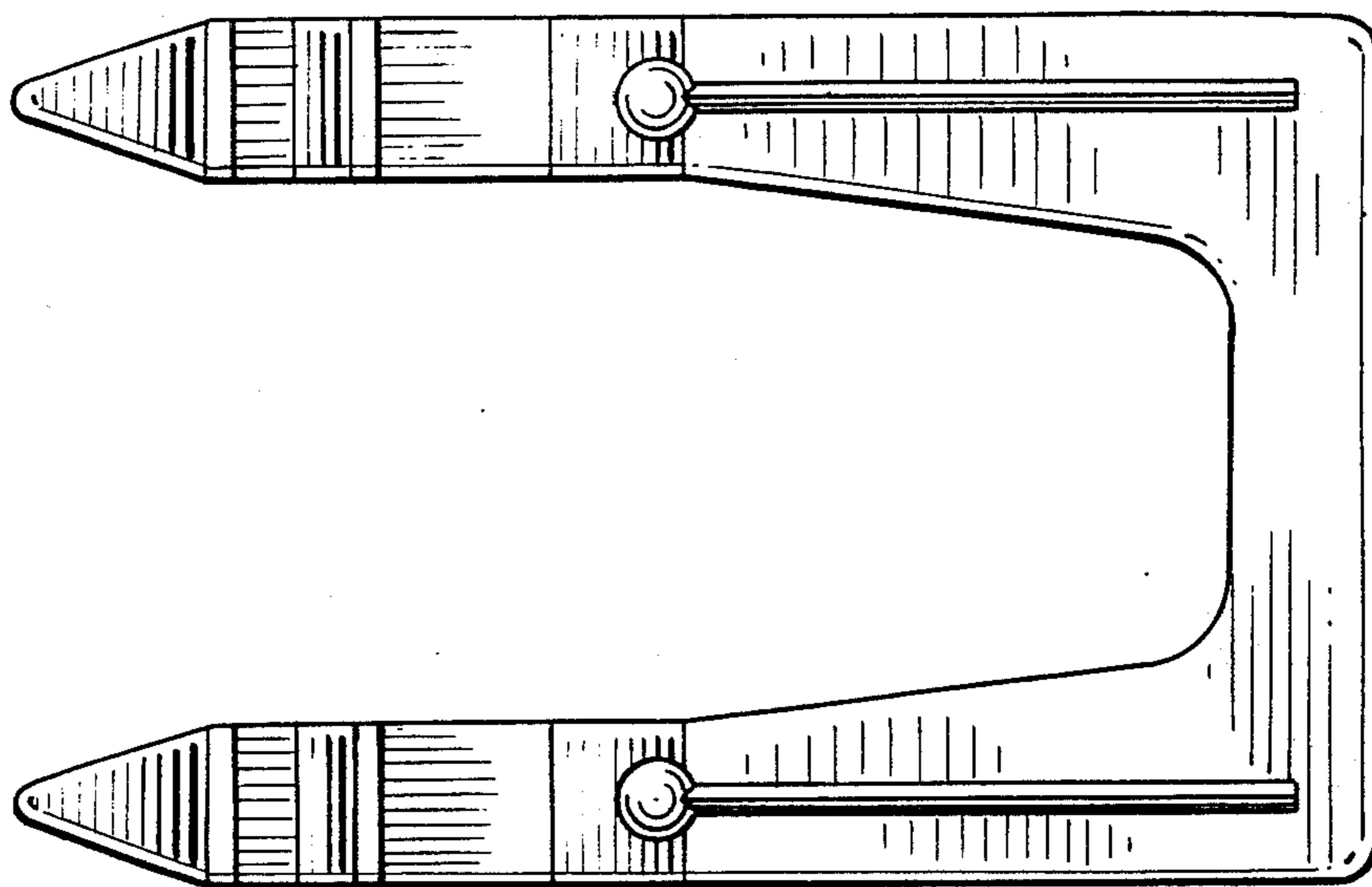


Fig. 3.

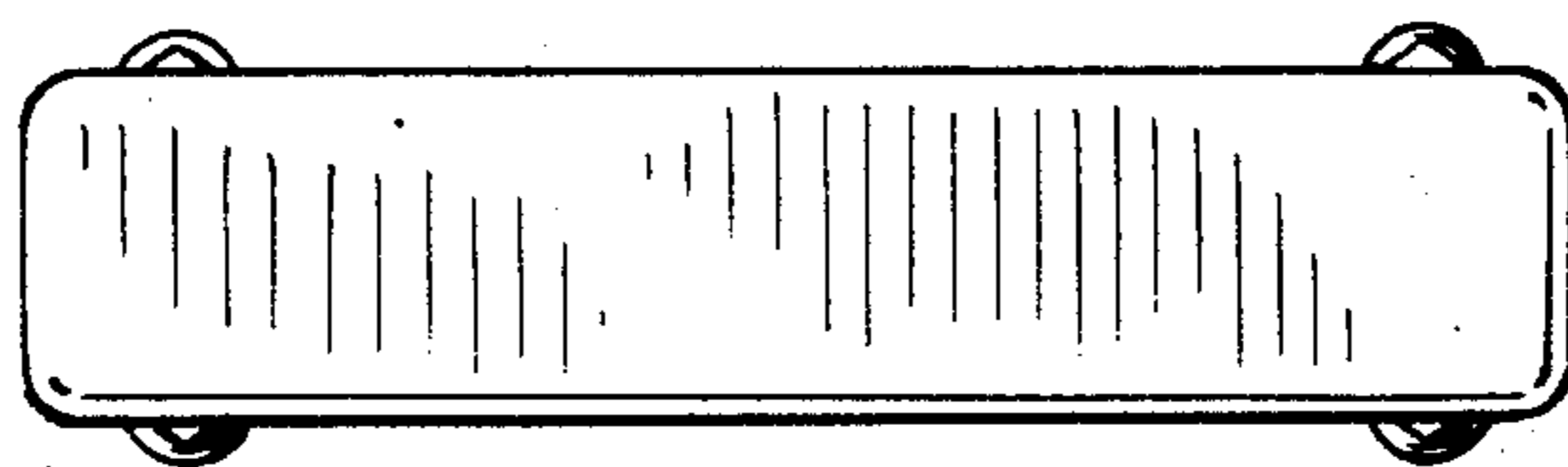


Fig. 4.

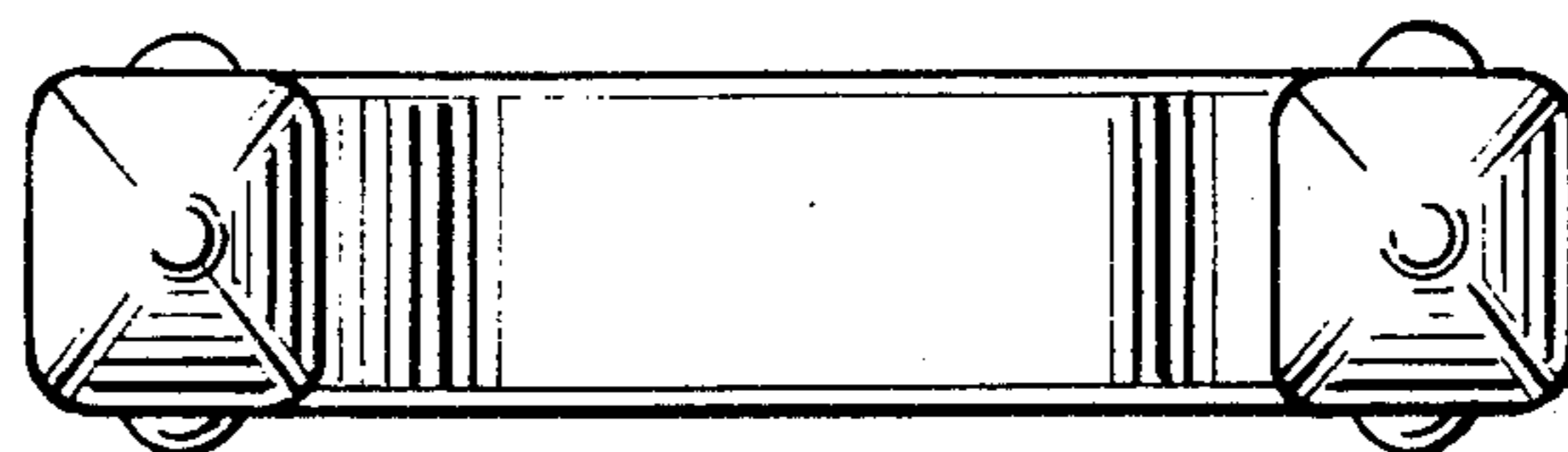


Fig. 5.