

[54] PLASTIC WINDOW FRAME CORNER OR THE LIKE

[75] Inventor: Dietrich F. Schmidt, Camp Hill, Pa.

[73] Assignee: Capitol Products Corporation, Mechanicsburg, Pa.

[**] Term: 14 Years

[21] Appl. No.: 519,425

[22] Filed: Aug. 1, 1983

[52] U.S. Cl. D25/52; D25/73

[58] Field of Search 49/504, 501, 506; 52/656, 657, 238.1; D25/52, 73-77; 403/205, 295

[56] References Cited

U.S. PATENT DOCUMENTS

- 4,136,496 1/1979 Molyneux 403/295 X
- 4,205,486 6/1980 Guarnalli 403/295 X

4,303,289 12/1981 Hardy 403/295 X

FOREIGN PATENT DOCUMENTS

1365809 5/1964 France D25/52

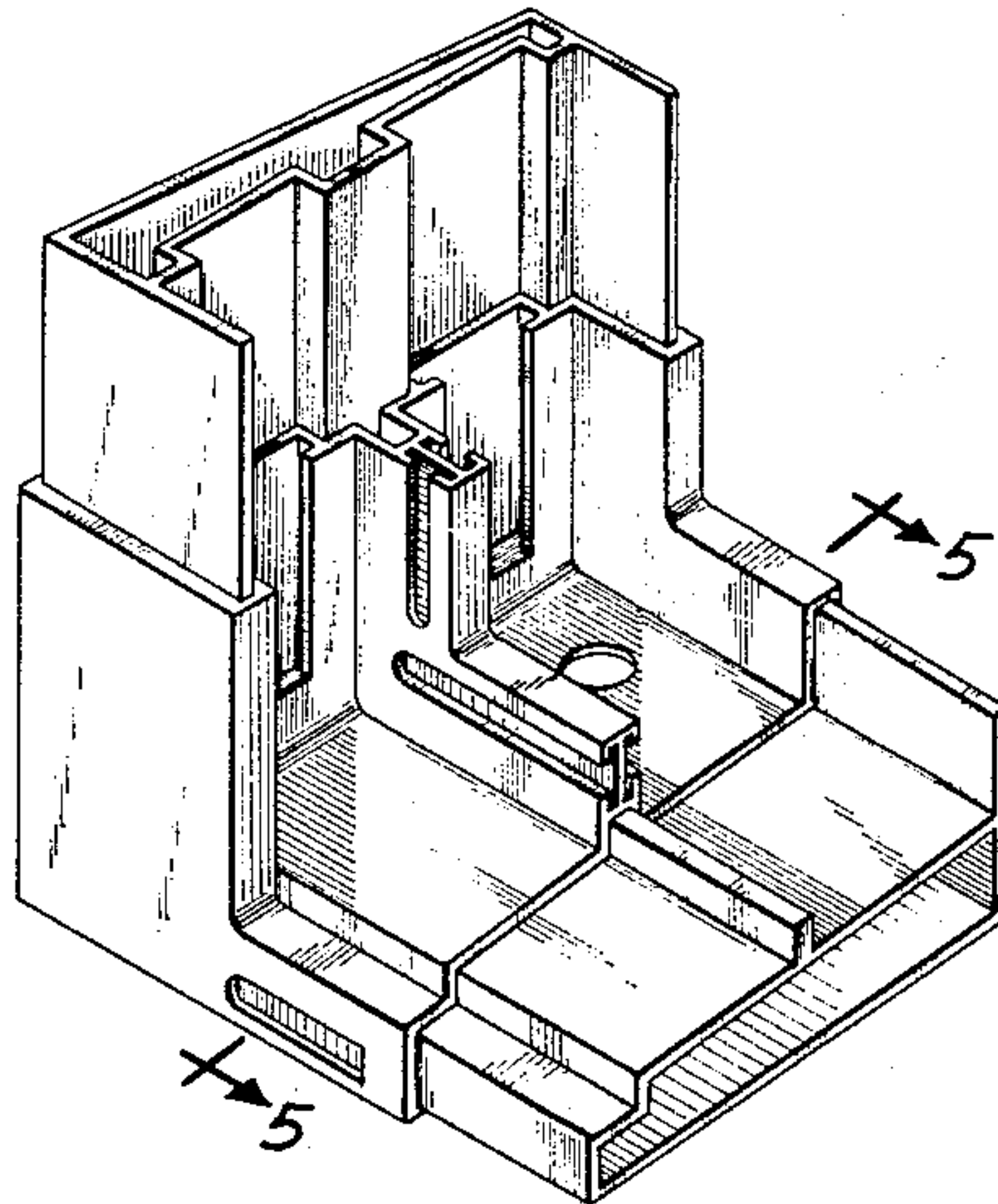
Primary Examiner—A. Hugo Word
Attorney, Agent, or Firm—Donald L. Johnson; John F. Sieberth; Paul H. Leonard

[57] CLAIM

The ornamental design for a plastic window frame corner or the like, substantially as shown and described.

DESCRIPTION

FIG. 1 is a perspective view of a plastic window frame corner or the like embodying my new design; FIG. 2 is a front elevational view thereof; FIG. 3 is a top view thereof; FIG. 4 is a right side or end view thereof; FIG. 5 is a sectional view thereof, taken along line 5—5 of FIG. 1.



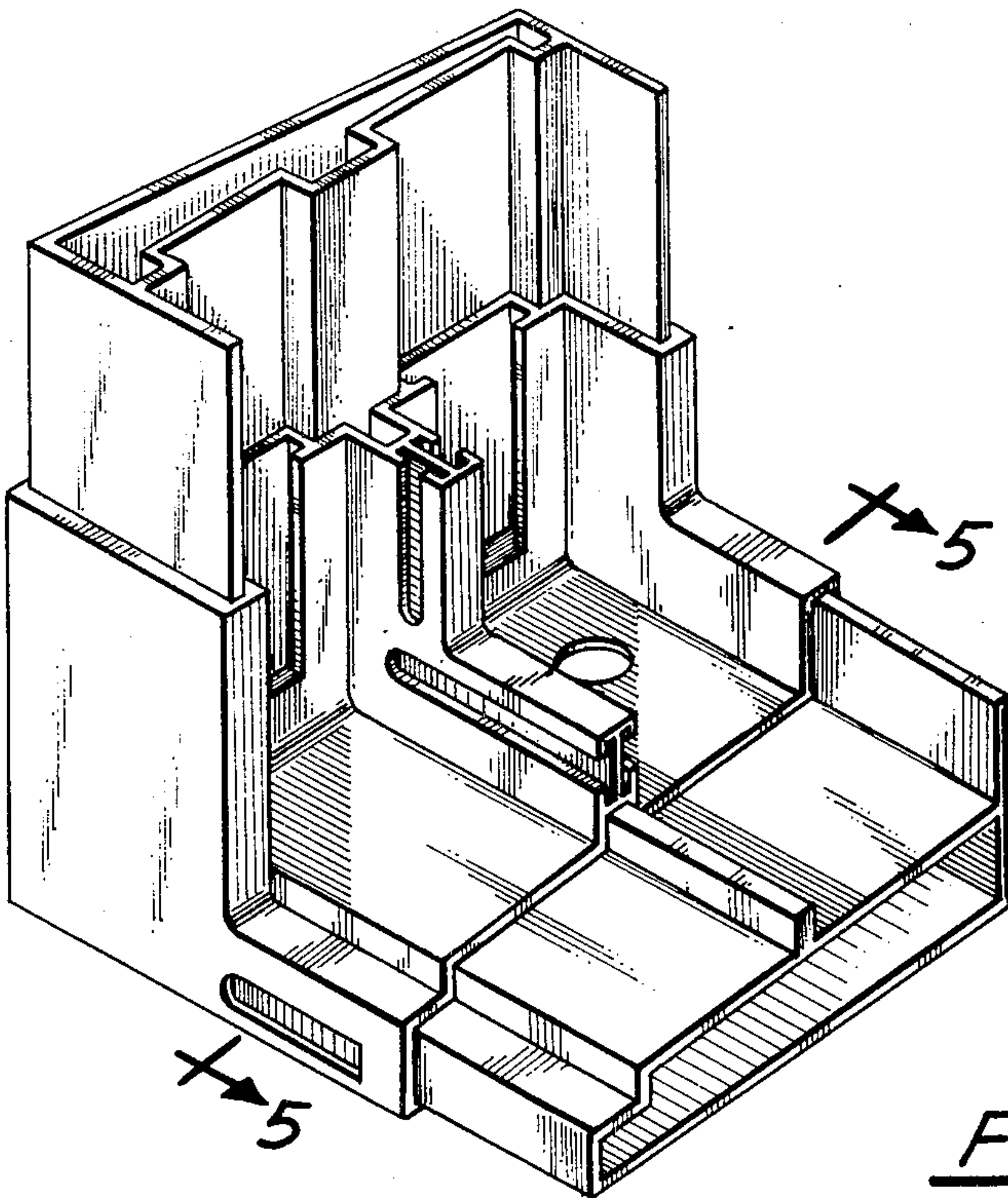


FIG. 1.

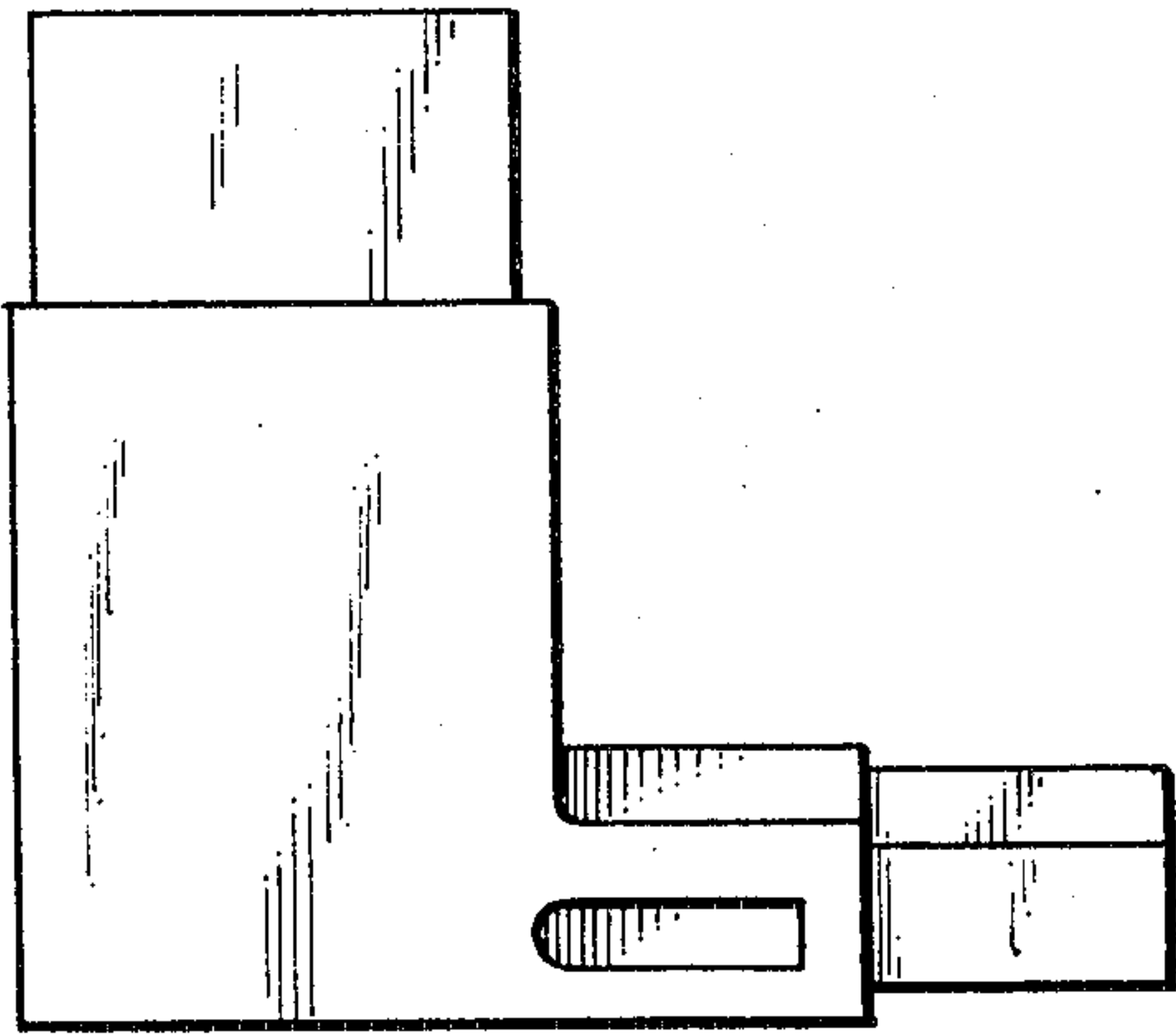


FIG. 2.

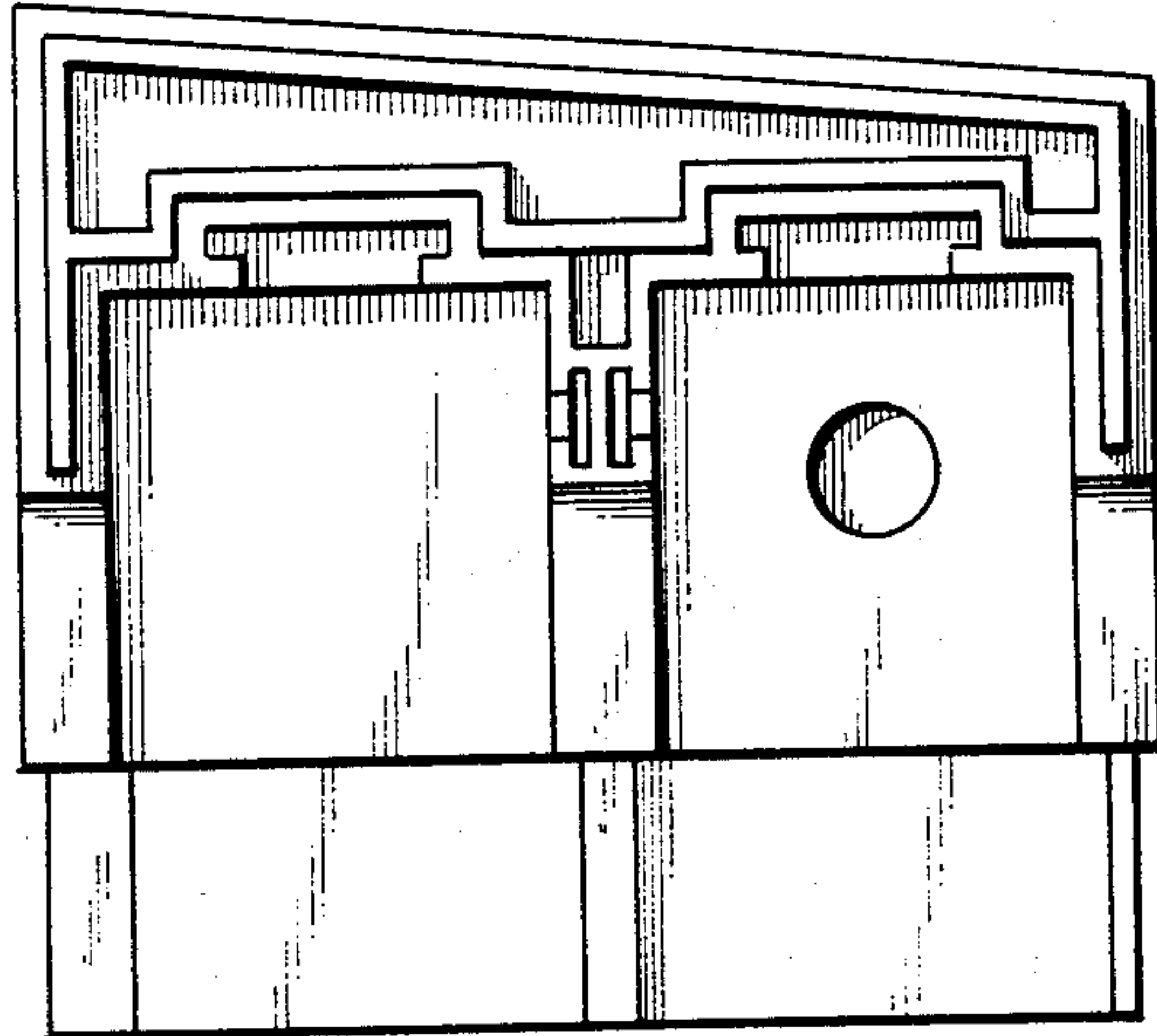


FIG. 3

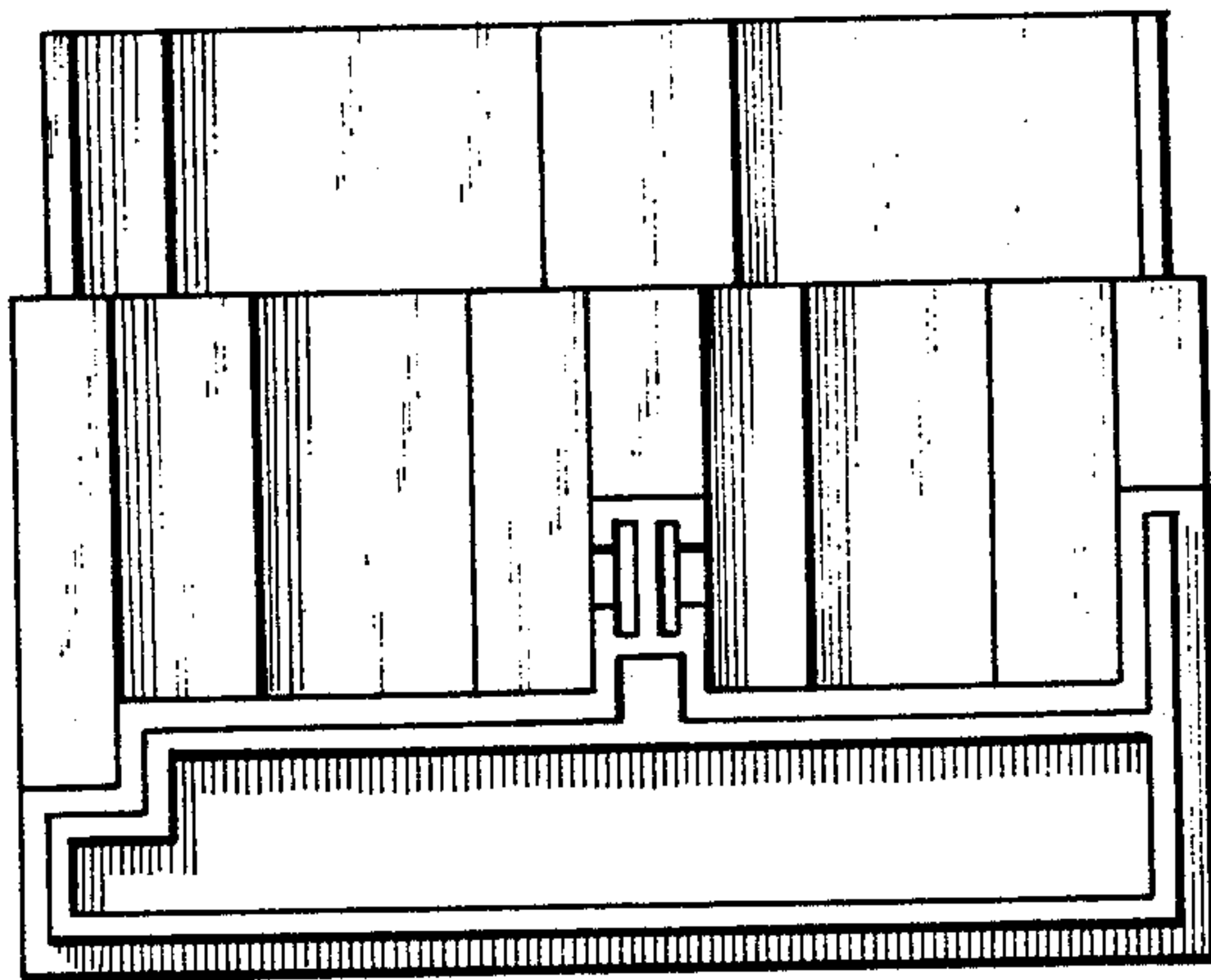


FIG. 4

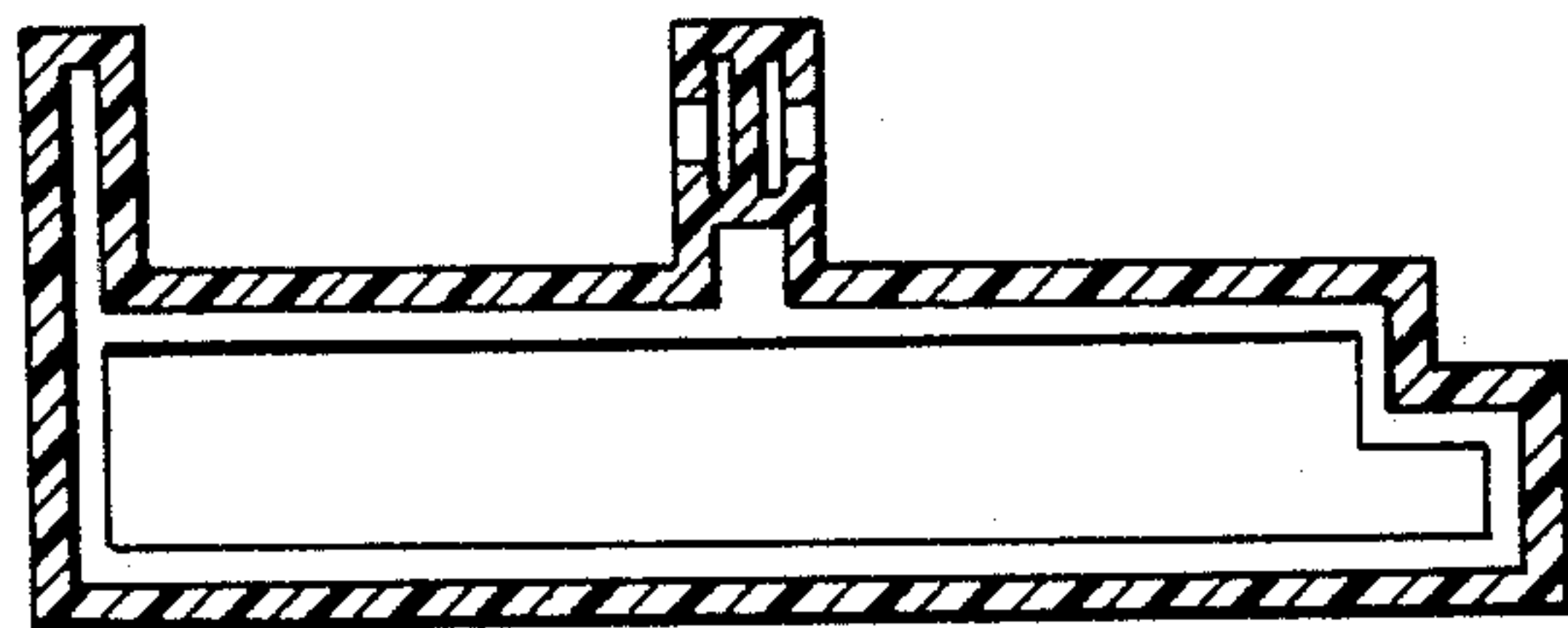


FIG. 5