

[54] PANEL FOR ROLLING GATES

FOREIGN PATENT DOCUMENTS

[76] Inventor: Vincent Greco, 195 Huntington Ave., Bronx, N.Y. 10465

472456 6/1952 Italy 160/235

[**] Term: 14 Years

OTHER PUBLICATIONS

Sweet's Catalog File, 1981, Sect. 7.4/Arp, p. 8, 2 1/2" Corrugated Panel at right center.

[21] Appl. No.: 494,523

Primary Examiner—A. Hugo Word
Attorney, Agent, or Firm—Goodman & Teitelbaum

[22] Filed: May 13, 1983

[52] U.S. Cl. D25/50; D25/38; D25/73; D25/75; D25/49

[58] Field of Search D25/73, 74, 80, 75, D25/49, 38, 50, 49; 160/235, 238; 52/537, 630

[57] CLAIM

The ornamental design for a panel for rolling gates, substantially as shown.

[56] References Cited

U.S. PATENT DOCUMENTS

2,958,083 11/1960 Shook et al. 160/238 X

DESCRIPTION

FIG. 1 is a perspective view taken from the front and left side of a panel for rolling gates, showing my new design;

FIG. 2 is a perspective view taken from the rear and right side thereof; and

FIG. 3 is a left side elevational view thereof.

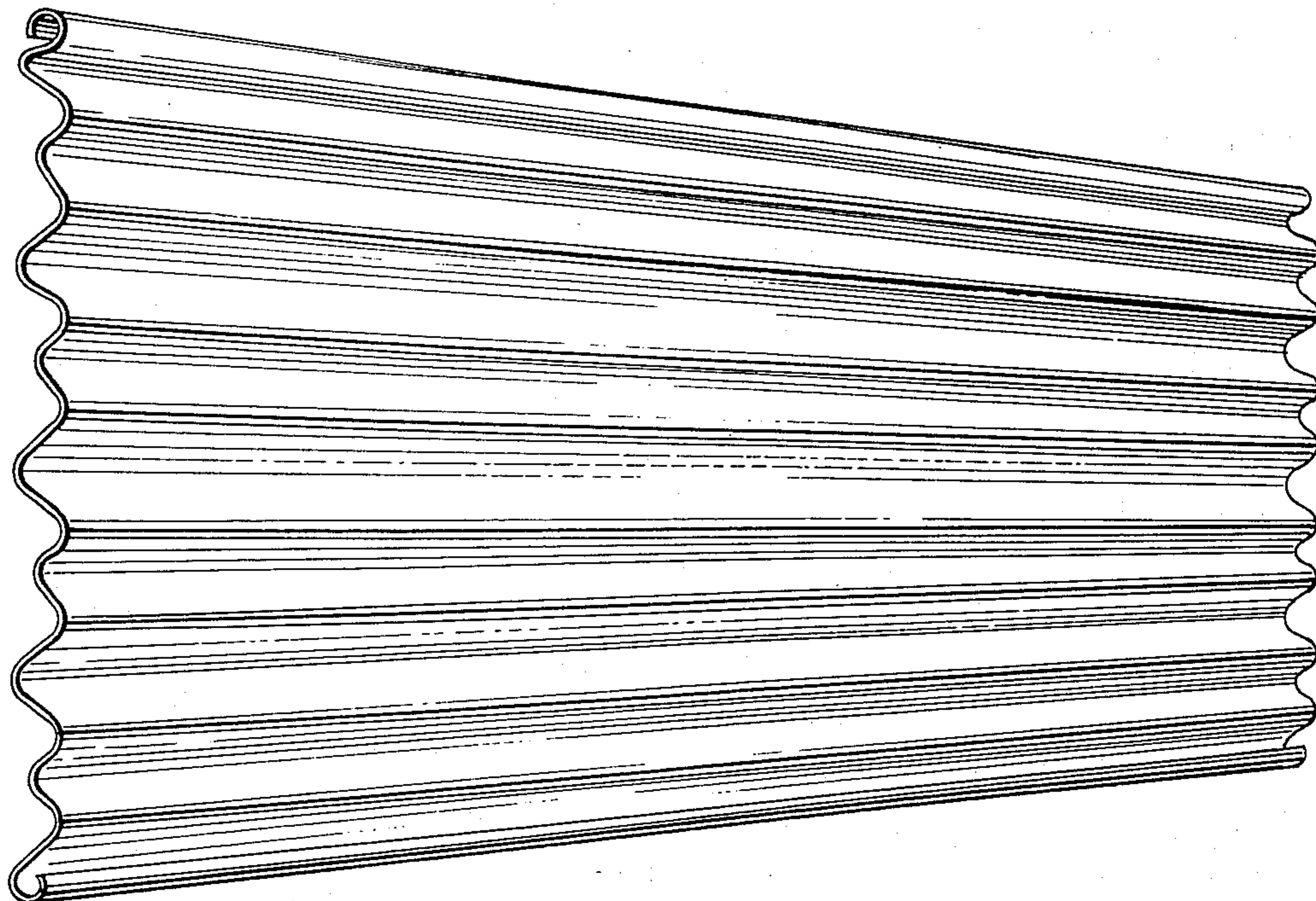




FIG. 3

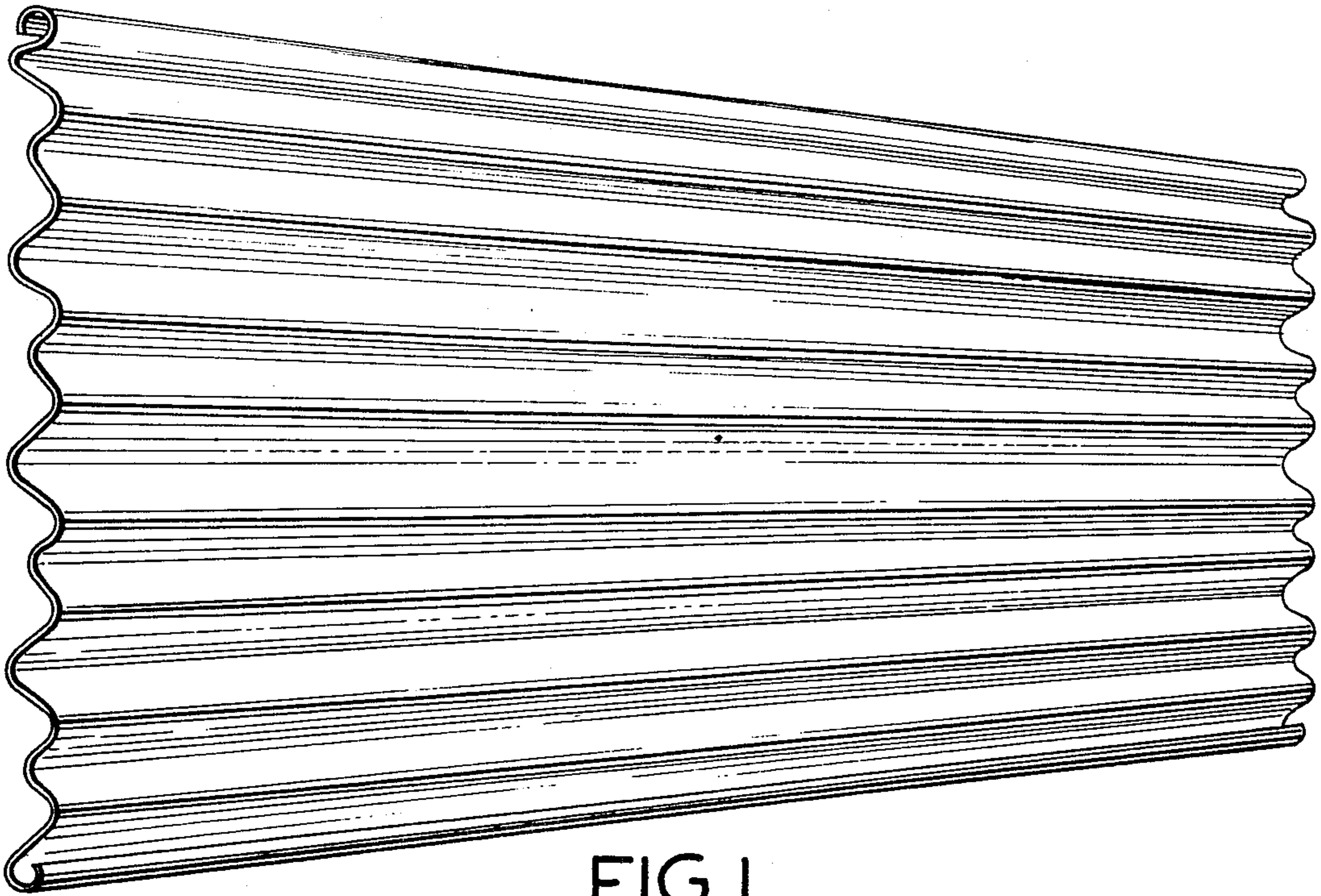


FIG. 1

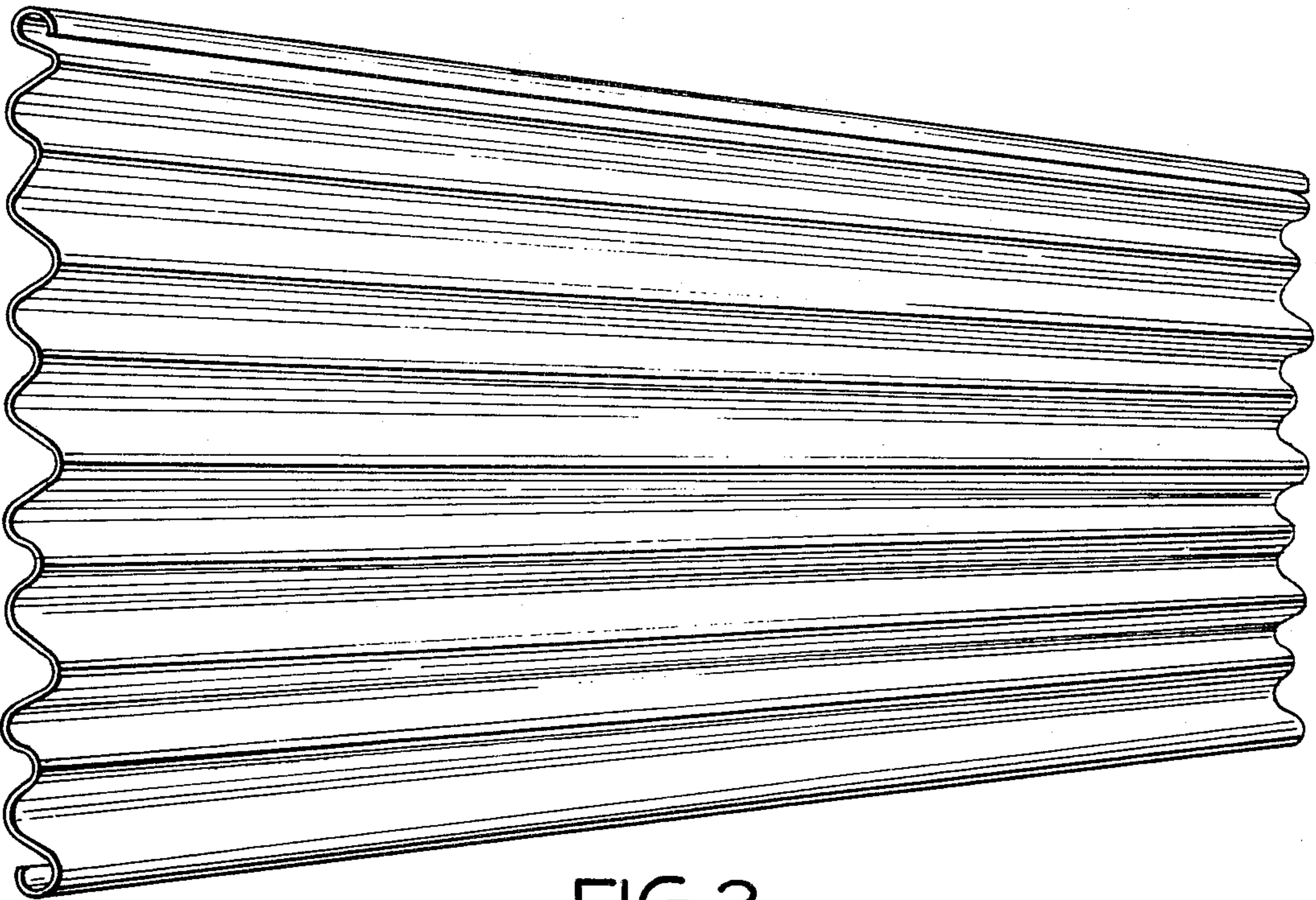


FIG. 2