

[54] ENCLOSURE FOR AN ELECTRIC HEATER FAN

[75] Inventor: Chung C. Liu, Brea, Calif.

[73] Assignee: Tatung Company of America, Inc., Long Beach, Calif.

[**] Term: 14 Years

[21] Appl. No.: 617,981

[22] Filed: Jun. 6, 1984

[52] U.S. Cl. D23/122

[58] Field of Search D23/92, 93, 110-116, D23/122-124, 139, 151, 155; 219/366, 369, 370, 371

[56] References Cited

U.S. PATENT DOCUMENTS

- D. 142,219 8/1945 Lindberg et al. D23/124
- D. 155,243 9/1949 Sundberg D23/122

- D. 193,538 9/1962 Roth D23/124
- D. 248,043 5/1978 Schade D23/122
- D. 257,059 9/1980 Schade D23/122

Primary Examiner—Catherine E. Kemper
Attorney, Agent, or Firm—Alan R. Davis

[57] CLAIM

The ornamental design for an enclosure for an electric heater fan, as shown.

DESCRIPTION

FIG. 1 is a front elevational view of an enclosure for an electric heater fan showing my new design; FIG. 2 is a left side elevational view thereof; FIG. 3 is a rear elevational view thereof; FIG. 4 is a right side elevational view thereof; FIG. 5 is a top plan view thereof; FIG. 6 is a bottom plan view thereof; FIG. 7 is a front perspective view thereof; FIG. 8 is a rear perspective view thereof.

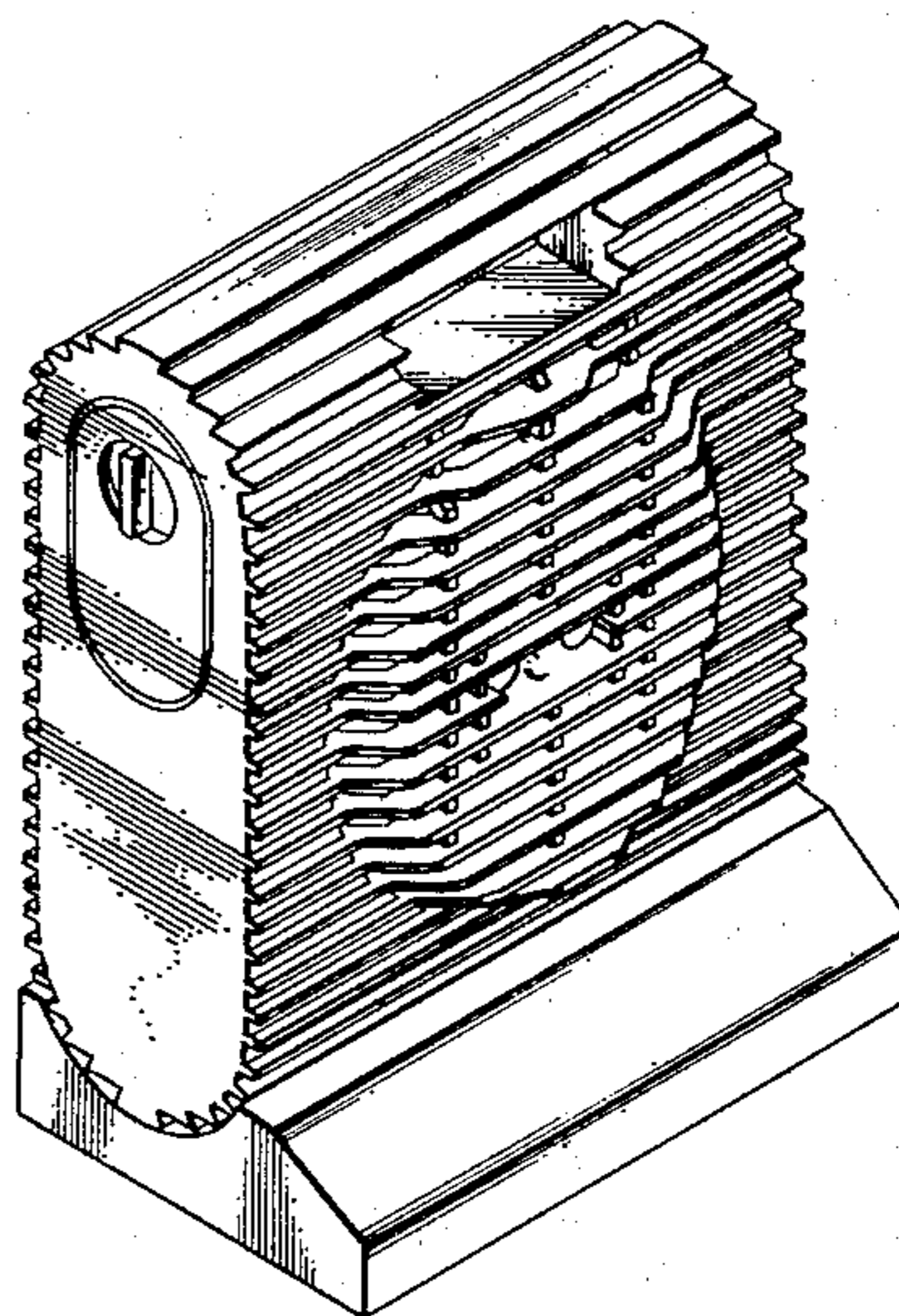
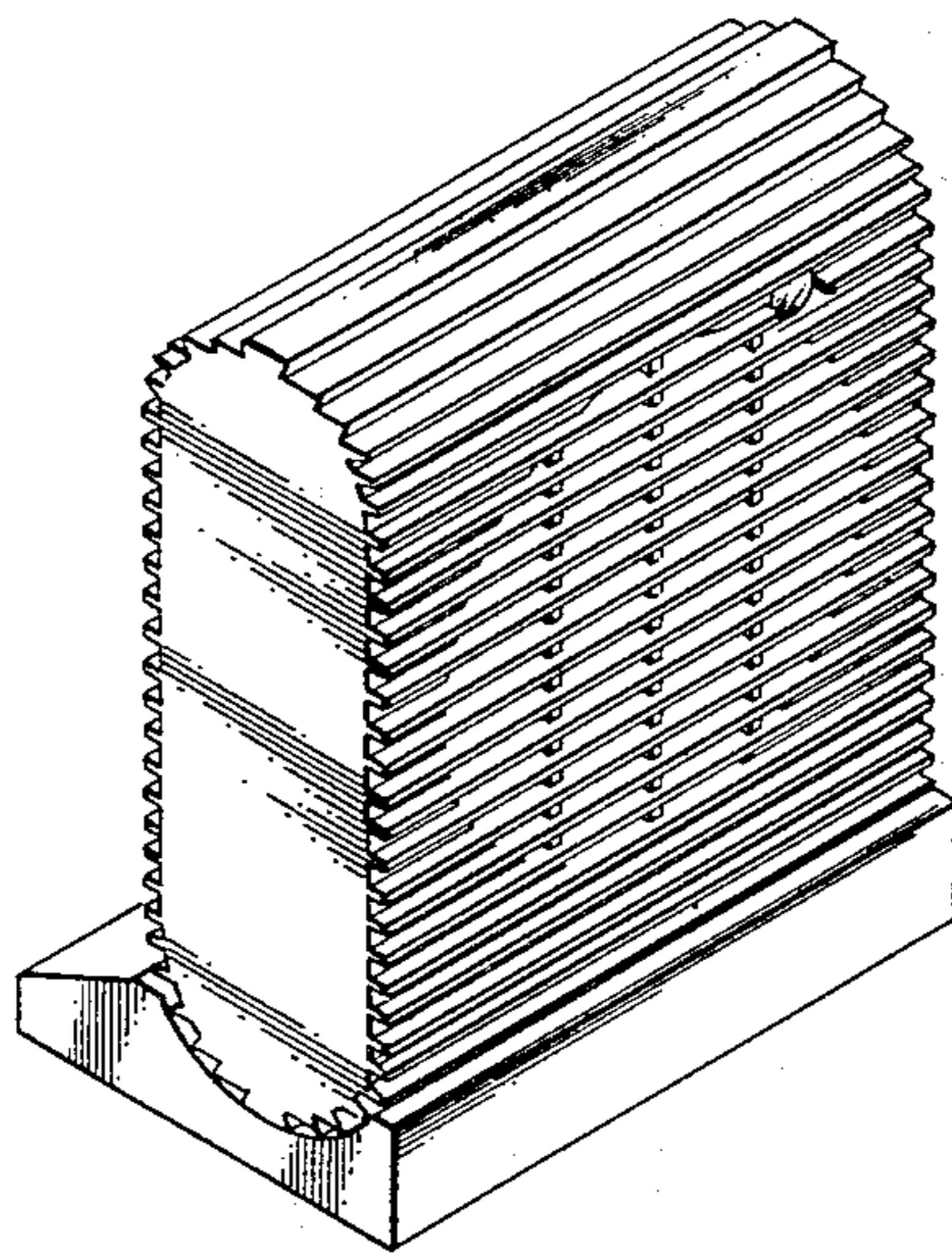


FIG. 1

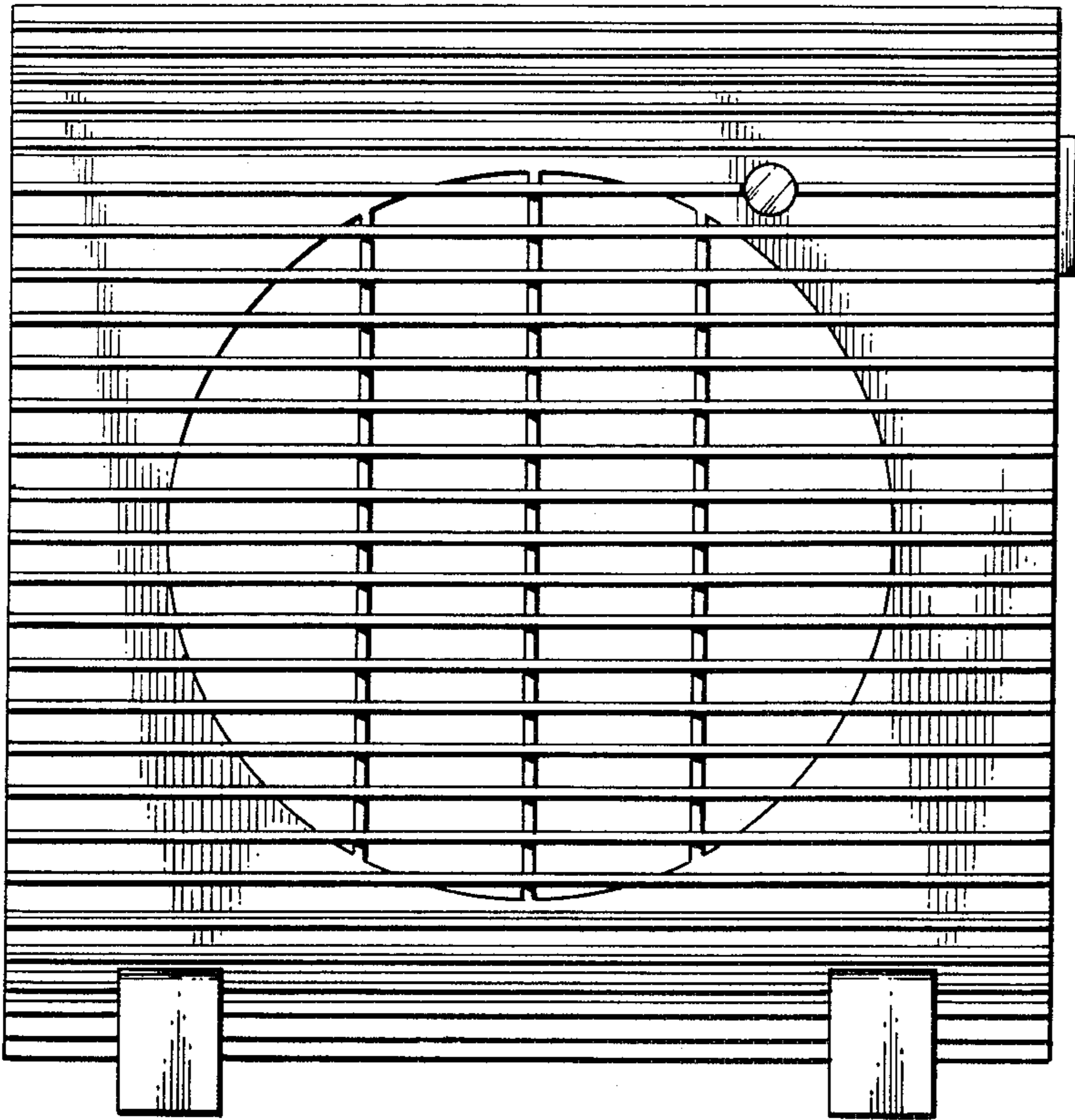


FIG. 2

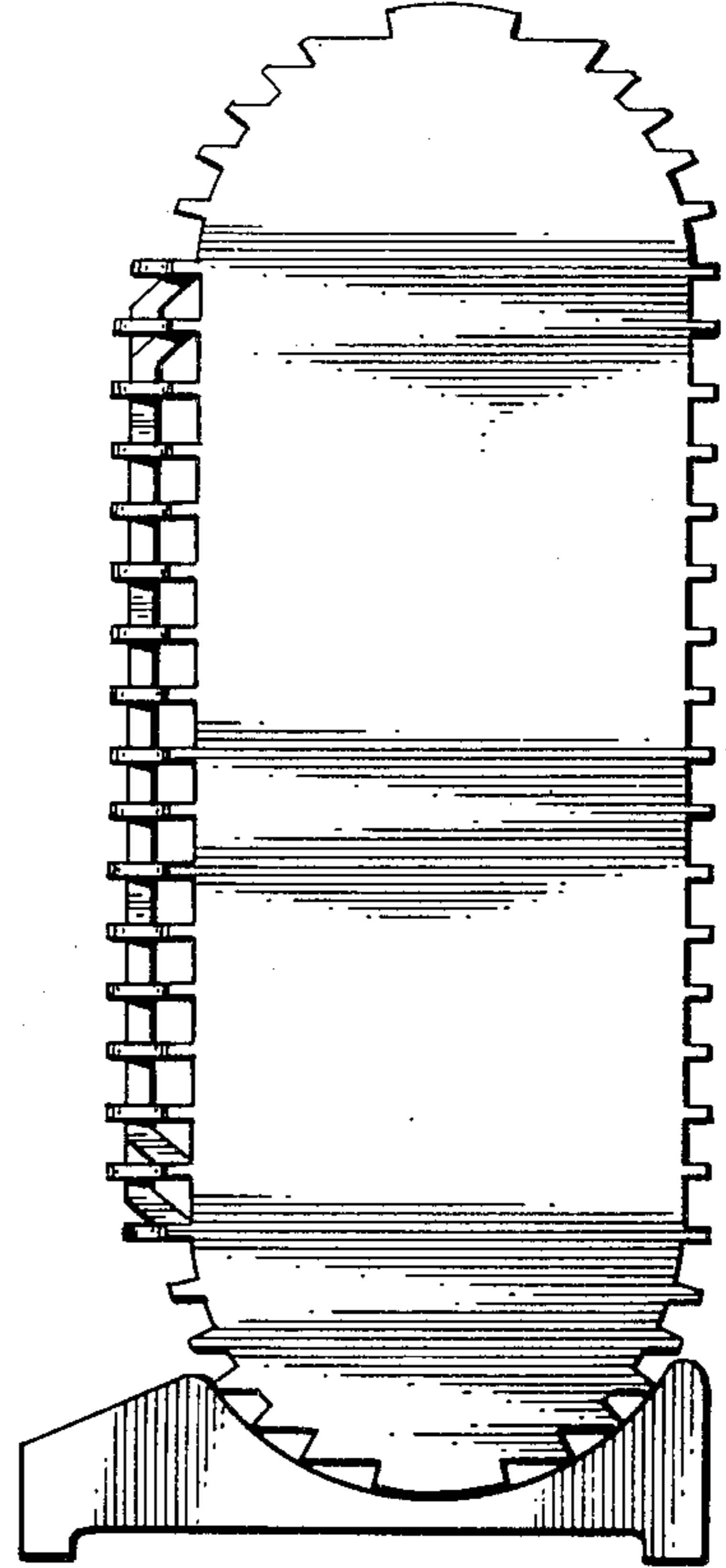


FIG. 3

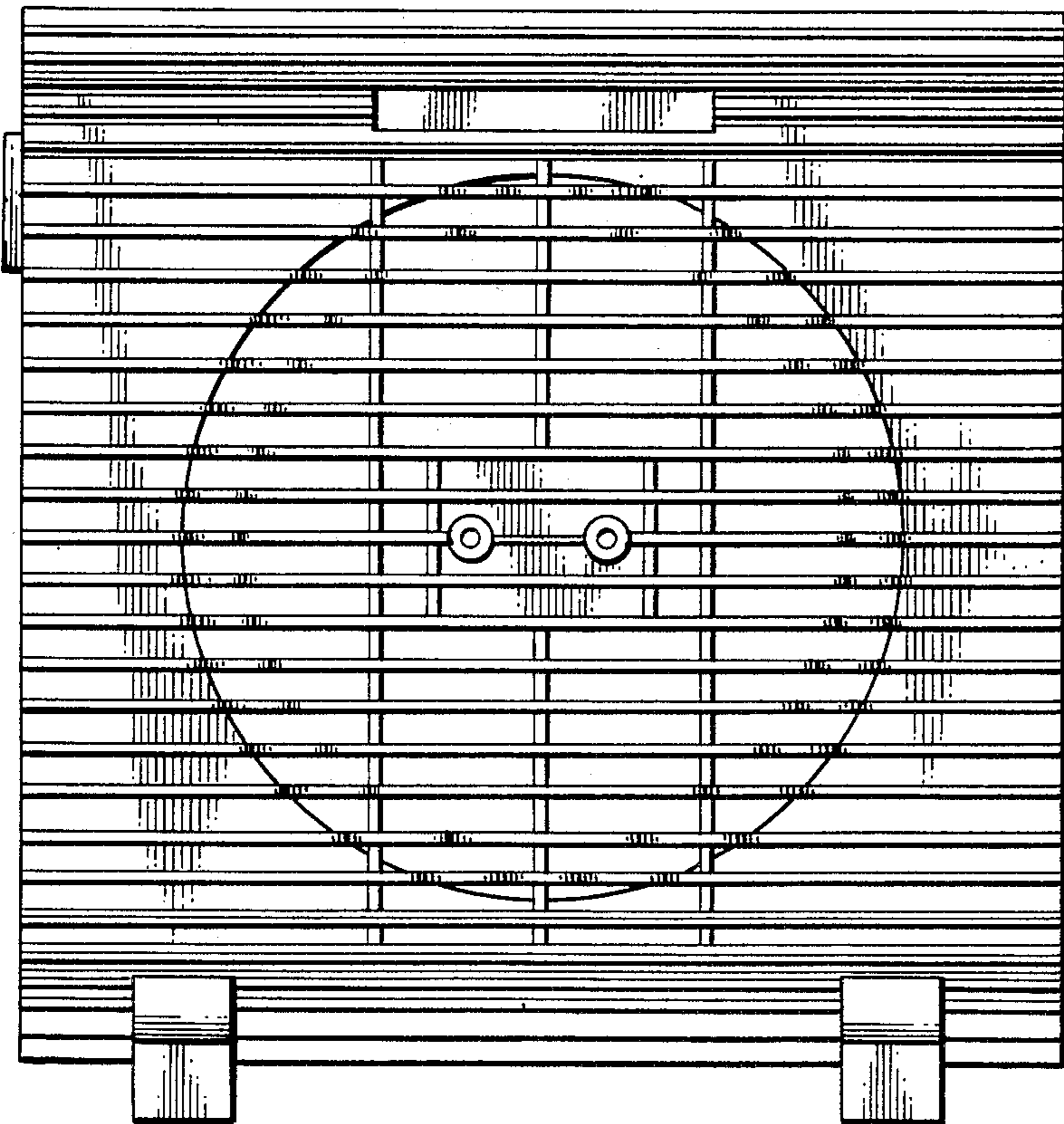


FIG. 4

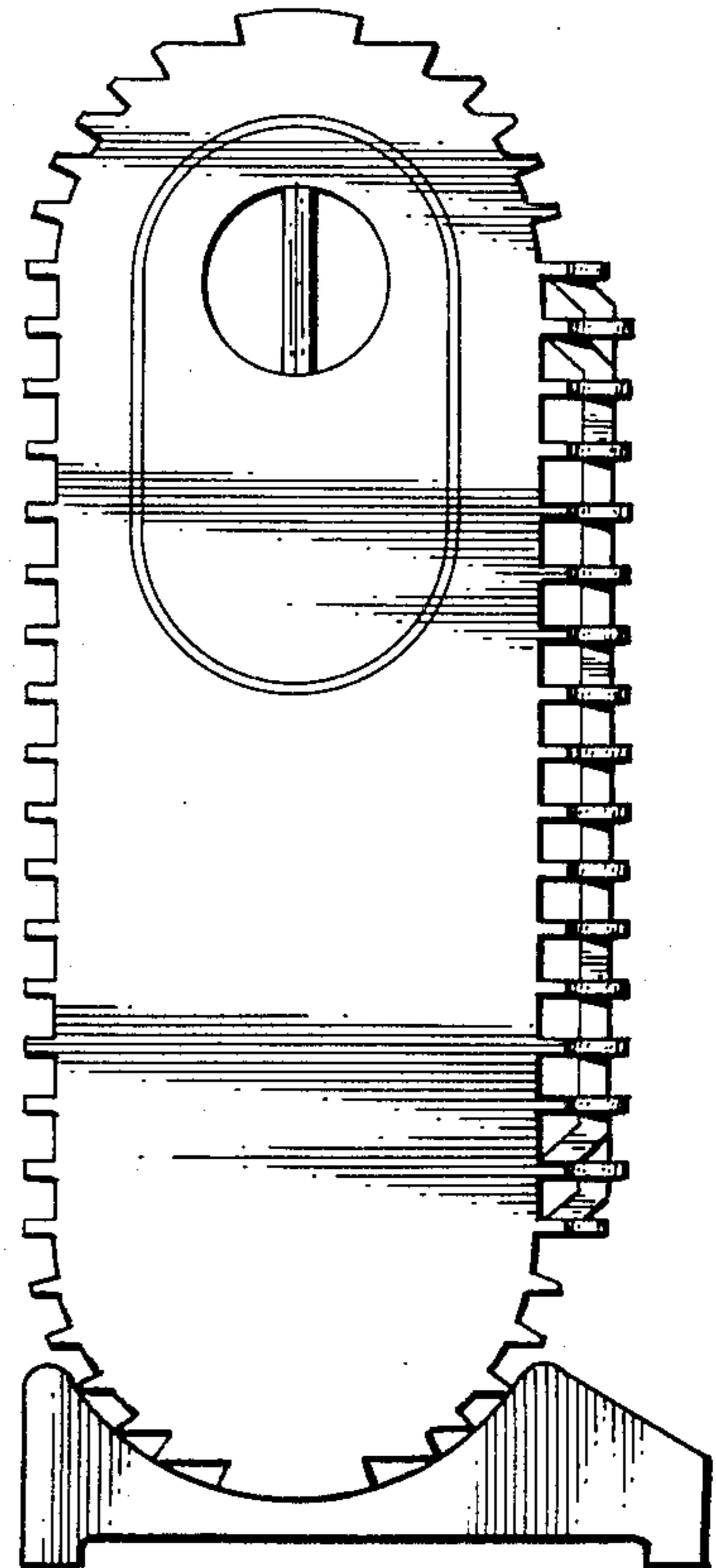


FIG. 5

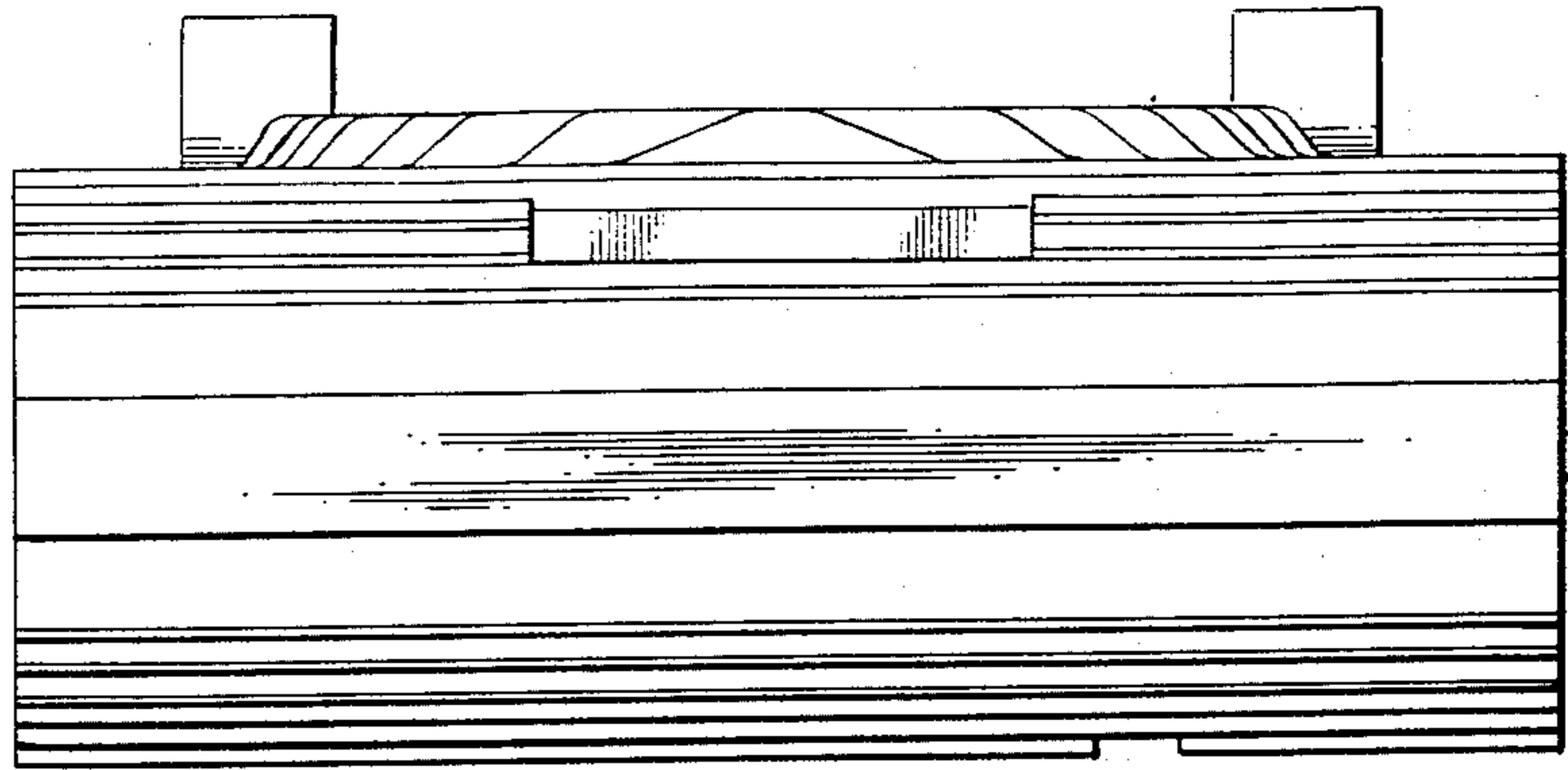


FIG. 6

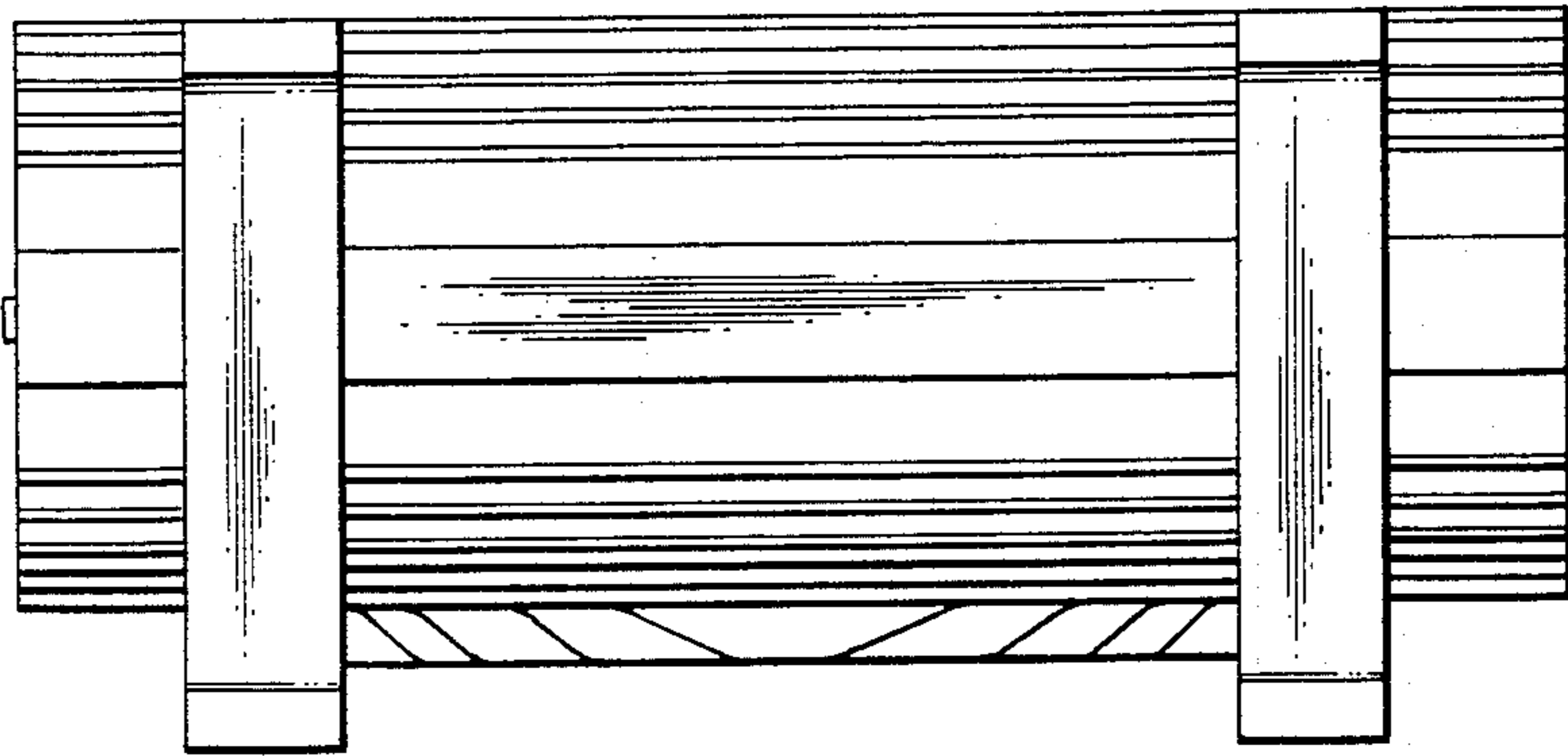


FIG. 7

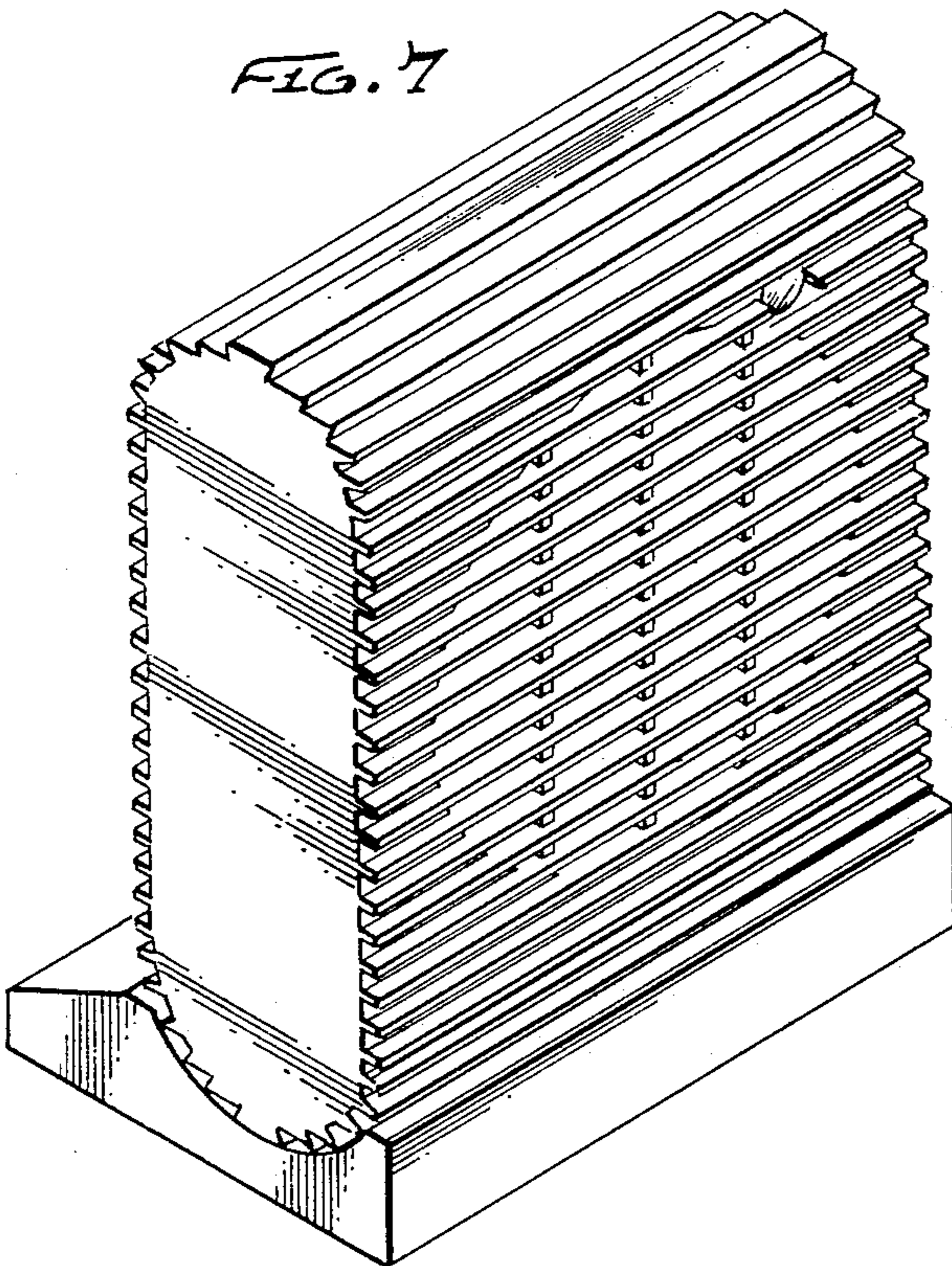


FIG. 8

