

[54] **ELECTRIC SPRAY GUN**  
[76] **Inventor: Bih-Ju Lin, No. 157-8, Hu Nei Sub-Ward, Chia-I City, Taiwan**  
[\*\*] **Term: 14 Years**  
[21] **Appl. No.: 590,422**  
[22] **Filed: Mar. 15, 1984**  
[52] **U.S. Cl. .... D23/18; D23/17**  
[58] **Field of Search ..... D23/17-18; 239/71, 154, 289-290, 318, 332, 337, 414, 428.5, 436, 525-528, 532, 569**

[56] **References Cited**  
**U.S. PATENT DOCUMENTS**  
D. 237,796 11/1975 Wagner ..... D23/18

**FOREIGN PATENT DOCUMENTS**  
1296056 5/1969 Fed. Rep. of Germany ..... 239/332

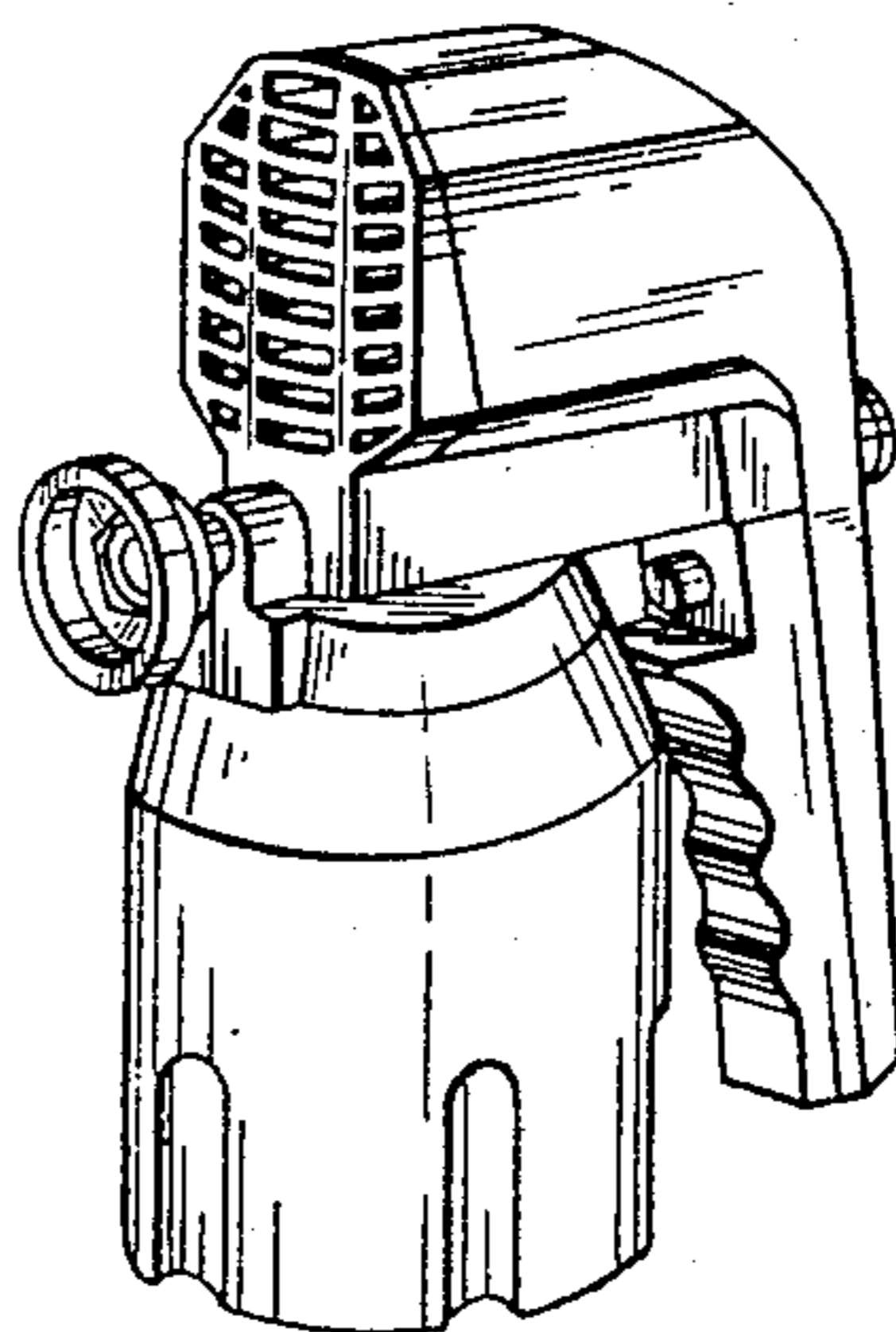
**OTHER PUBLICATIONS**  
Burgess Vibro-Sprayer—"Modern Plastics", p. 72, Jun. 1949.

Sears 1980 Spring/Summer Catalogue, p. 773, item No. 3, Airless Sprayer.  
Burgess BVI Sprayer "Electrical Merchandising Week, p. 32, May 29, 1961.  
Krebbs 255 Airless Sprayer, "Hardware Age", p. 83, Aug. 1983.

*Primary Examiner*—Wallace R. Burke  
*Assistant Examiner*—Brian N. Vinson  
*Attorney, Agent, or Firm*—Robert C. Podwil

[57] **CLAIM**  
The ornamental design for a electric spray gun or similar article, as shown.

**DESCRIPTION**  
FIG. 1 is a perspective view of a electric spray gun showing my new design;  
FIG. 2 is a right side elevational view thereof;  
FIG. 3 is a left side elevational view thereof;  
FIG. 4 is a front elevational view thereof;  
FIG. 5 is a rear elevational view thereof;  
FIG. 6 is a top plan view thereof; and  
FIG. 7 is a bottom plan view thereof.



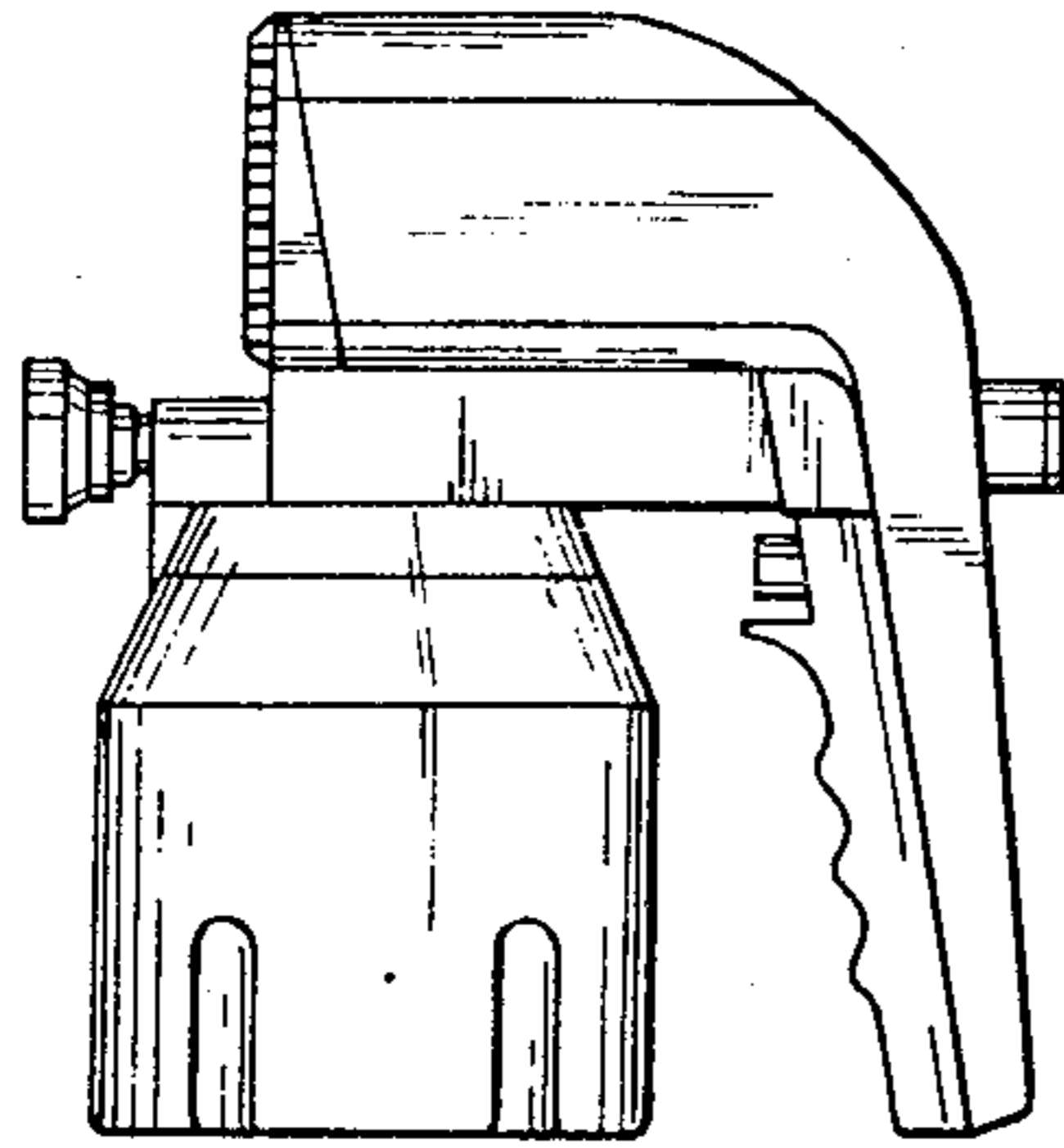


FIG. 2

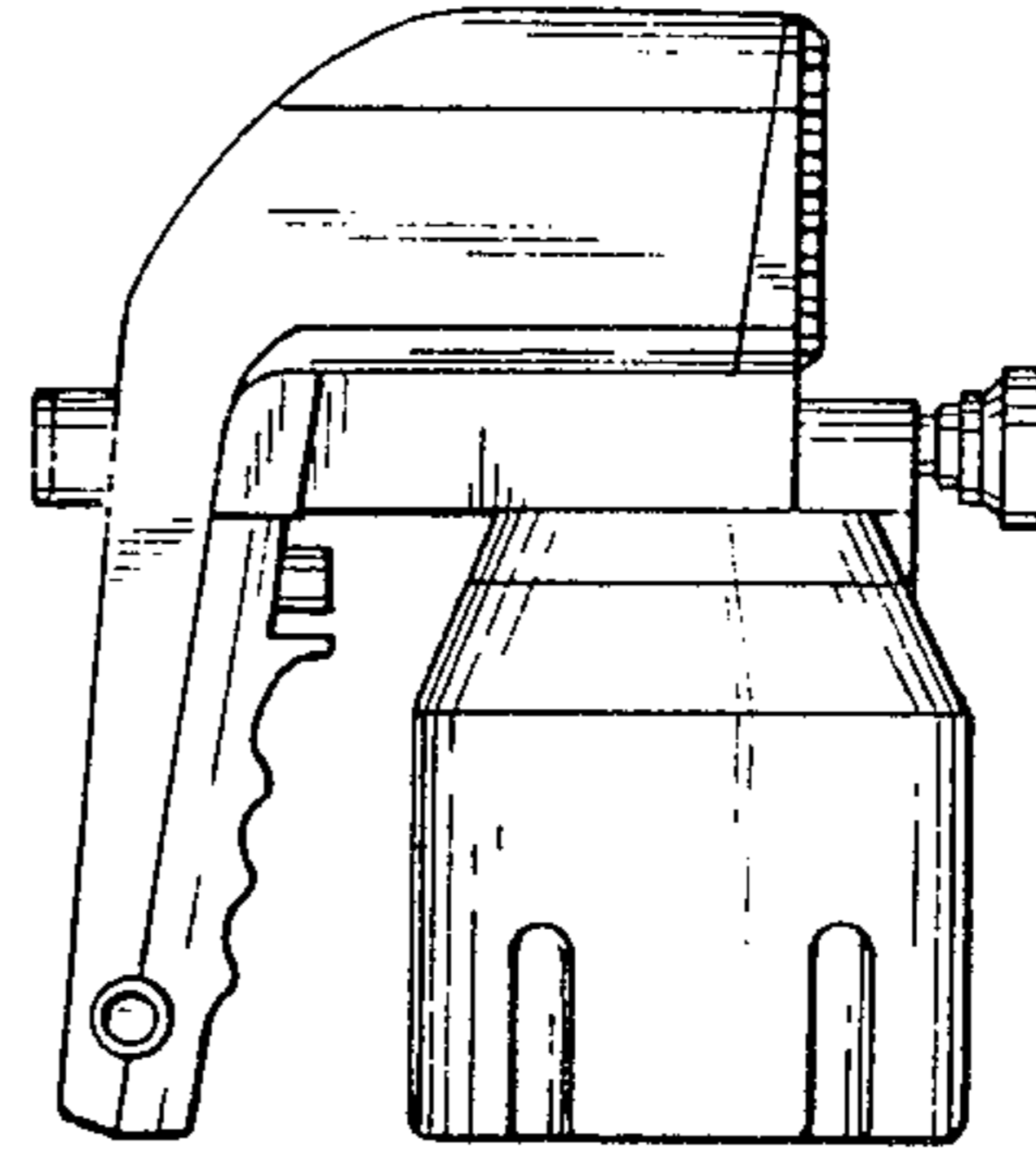


FIG. 3

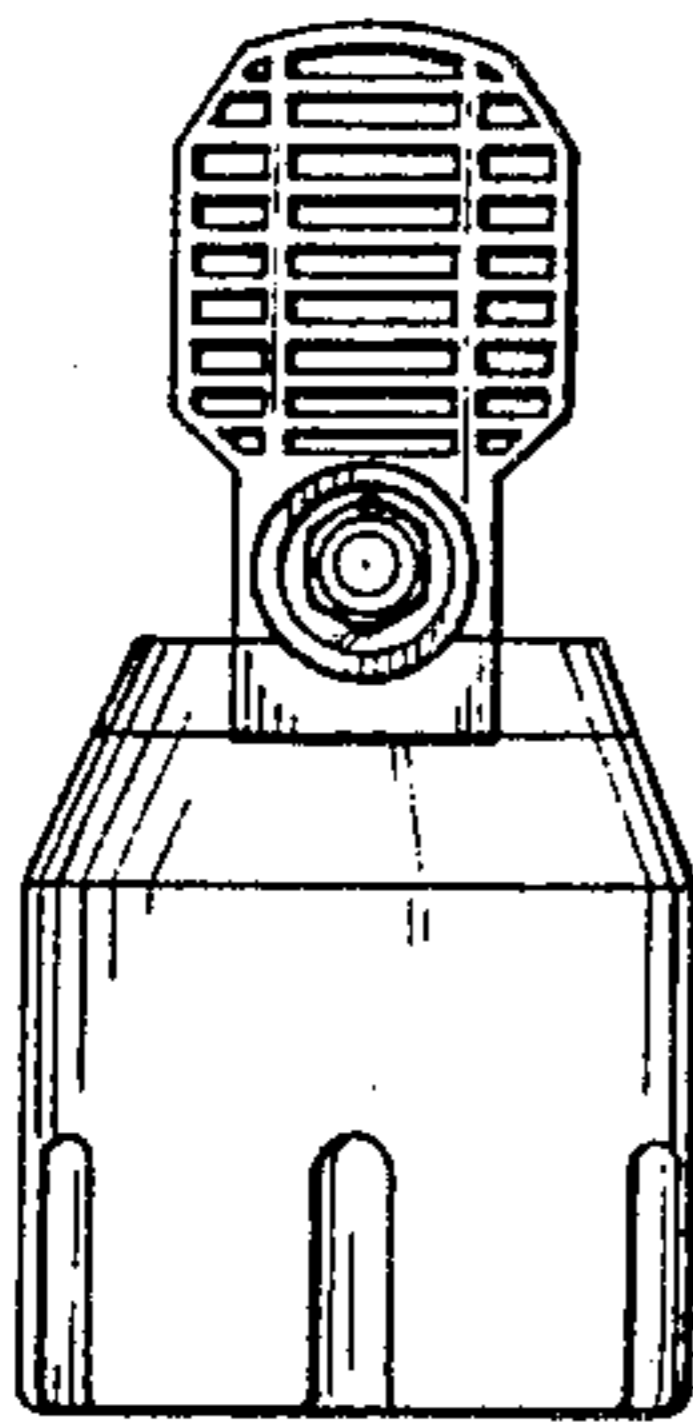


FIG. 4

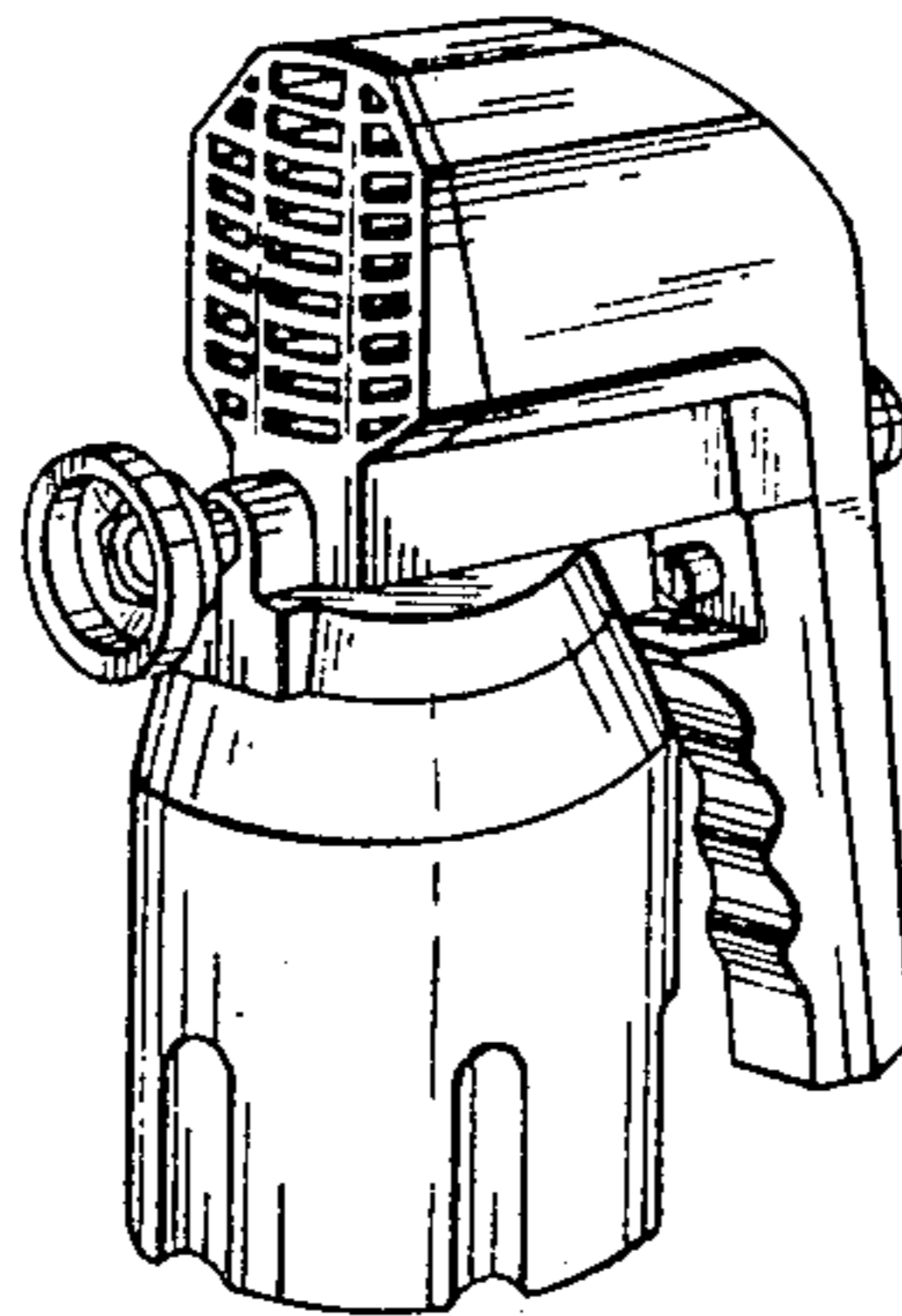


FIG. 1

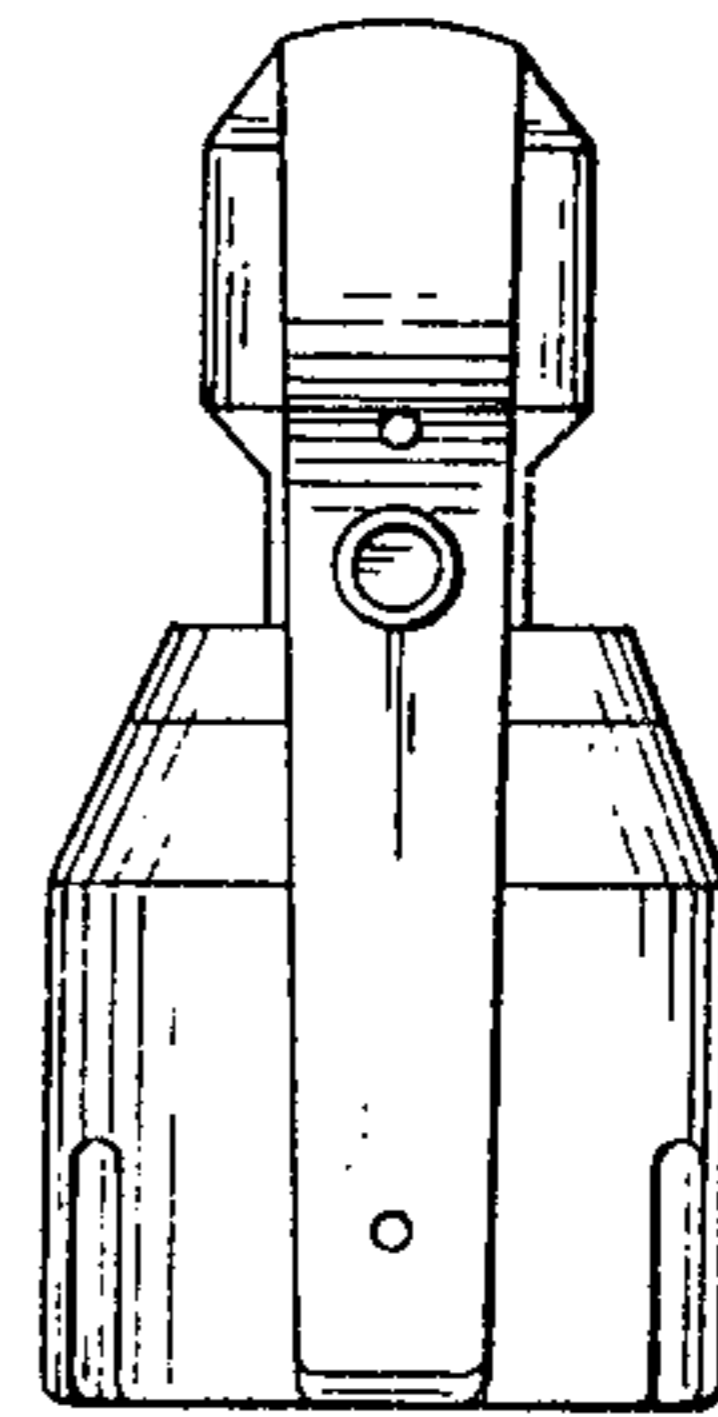


FIG. 5

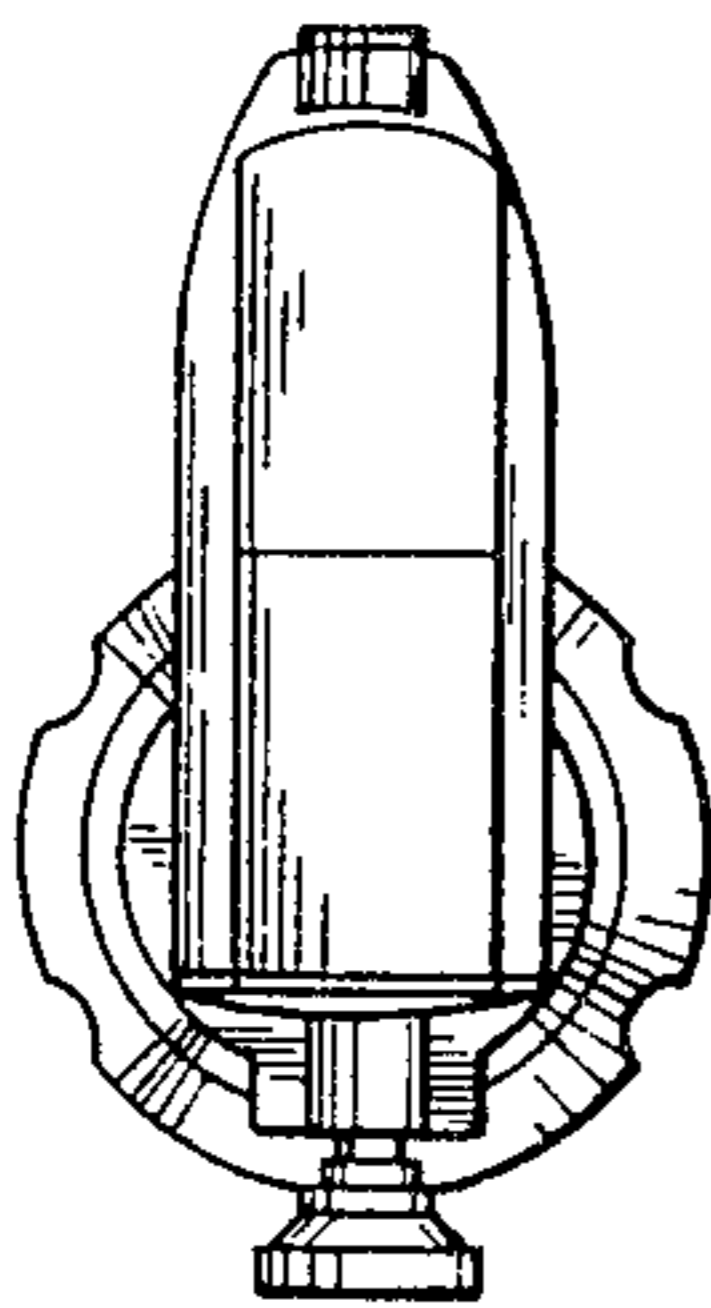


FIG. 6

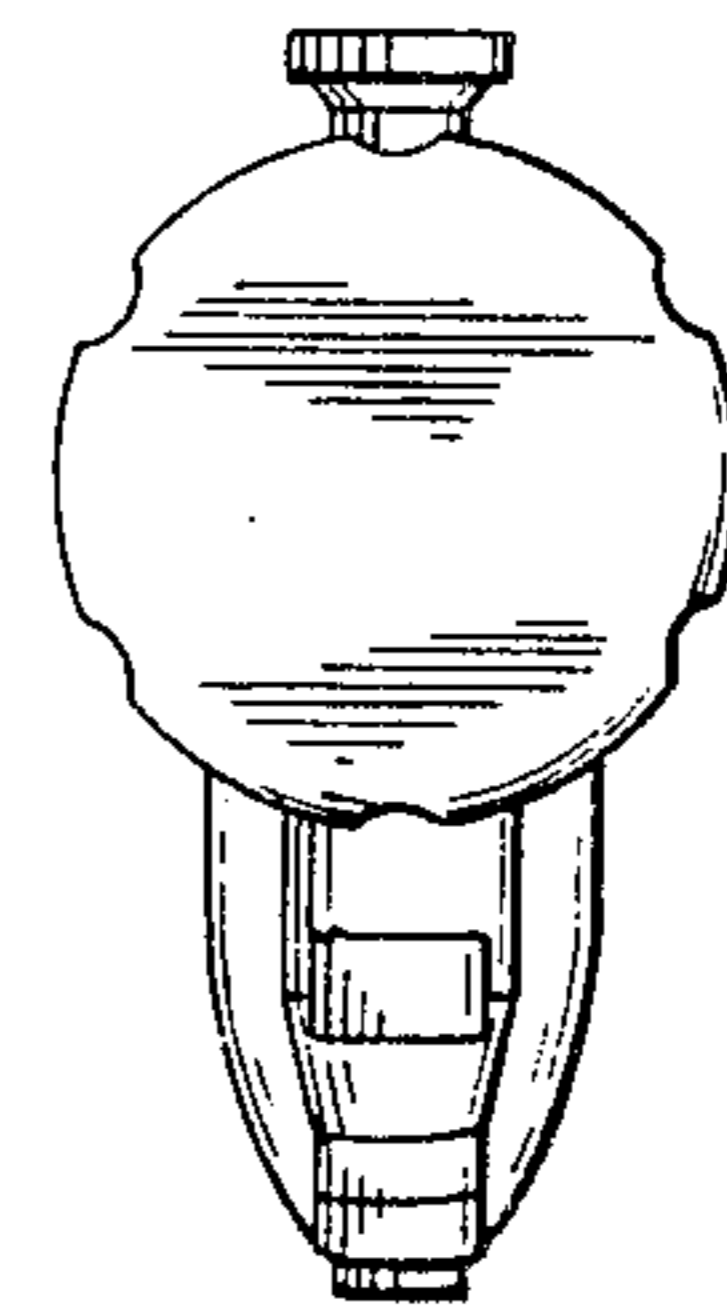


FIG. 7