

[54] MOUNTING FOR A SIGHTING INSTRUMENT

[76] Inventor: Johan A. I. Ekstrand, Utteröd 1, S-240 33 Löeröd, Sweden

[**] Term: 14 Years

[21] Appl. No.: 582,634

[22] Filed: Feb. 22, 1984

[30] Foreign Application Priority Data

Sep. 8, 1983 [SE] Sweden 83-2297

[52] U.S. Cl. D22/110; 33/241; 362/110

[58] Field of Search D8/373; D7/7, 8; 42/1 S, 1 ST, 1 SR; 362/110; 33/241, 233; 248/205.1; D22/7

[56] References Cited

U.S. PATENT DOCUMENTS

- D. 259,944 7/1981 Burris 42/1 ST X
- D. 260,113 8/1981 Ross D22/7
- 1,007,991 2/1912 Olson 33/241
- 1,610,092 12/1926 Hise 312/110
- 1,662,025 3/1928 Brennon et al. 42/1 SR
- 1,865,127 6/1932 Mckeen 33/241

- 2,433,909 1/1948 Jefferies 42/1 S
- 2,529,057 11/1950 Teffault 362/110
- 3,187,436 6/1965 Friedrichsmeier 42/1 S
- 3,226,868 1/1966 Mahoney 42/1 ST
- 3,253,361 5/1966 Kingsbury 42/1 ST
- 3,500,545 3/1970 Chivers 33/241
- 3,545,356 12/1970 Nielsen 42/1 ST
- 3,974,585 8/1976 Dunham 42/1 S
- 4,168,588 9/1979 Snyder 42/1 A
- 4,429,468 2/1984 Jimenez et al. D22/8 X
- 4,533,980 8/1985 Hayes 362/110

FOREIGN PATENT DOCUMENTS

- 202540 2/1906 Fed. Rep. of Germany 362/110
- 597700 2/1948 United Kingdom 42/1 S

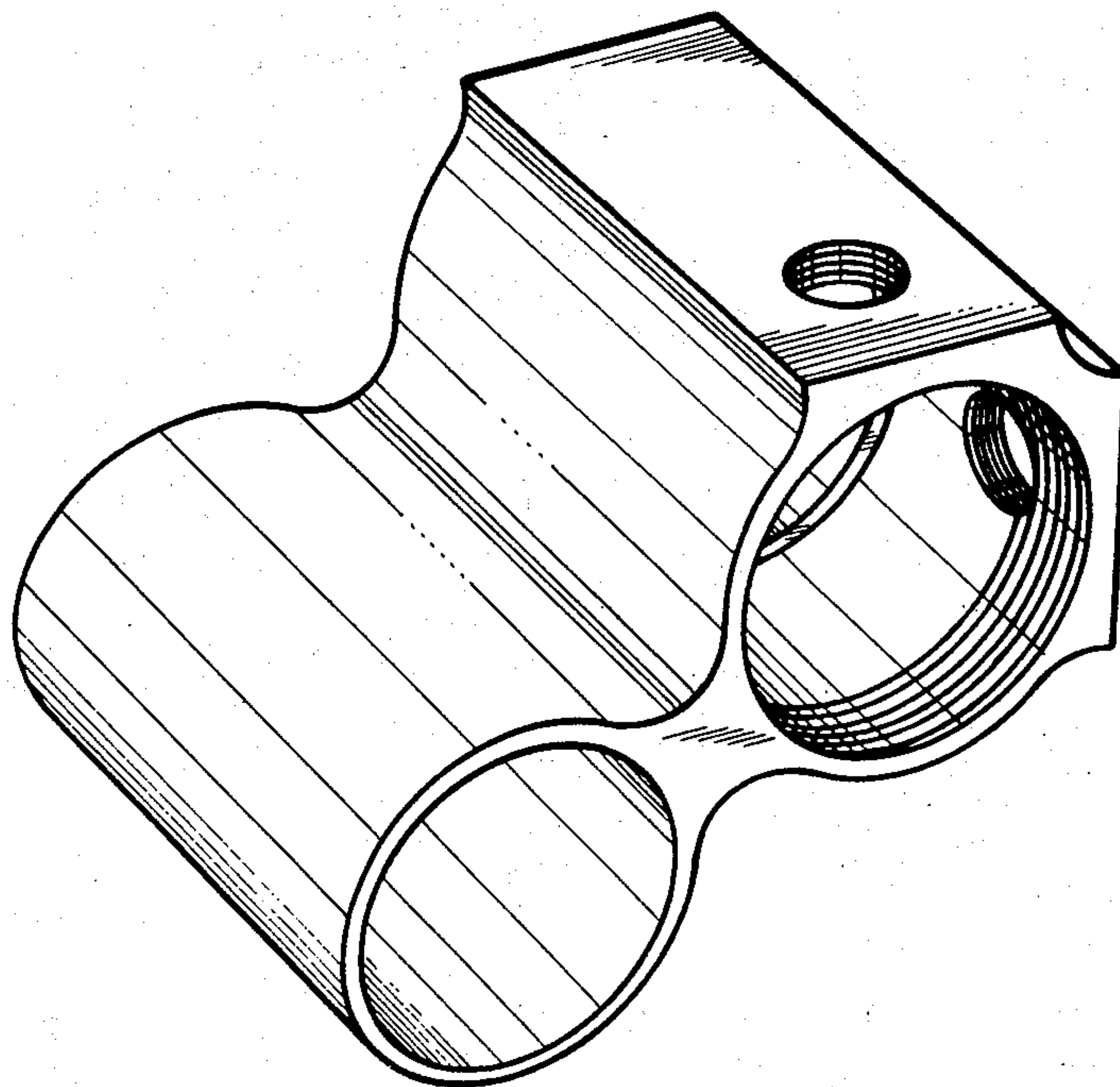
Primary Examiner—Wallace R. Burke
Assistant Examiner—Horace B. Fay
Attorney, Agent, or Firm—Shapiro and Shapiro

[57] CLAIM

The ornamental design for a mounting for a sighting instrument, as shown and described.

DESCRIPTION

FIG. 1 is a perspective view of a mounting for a sighting instrument showing my new design;
FIG. 2 is a perspective view thereof turned 180° endwise.



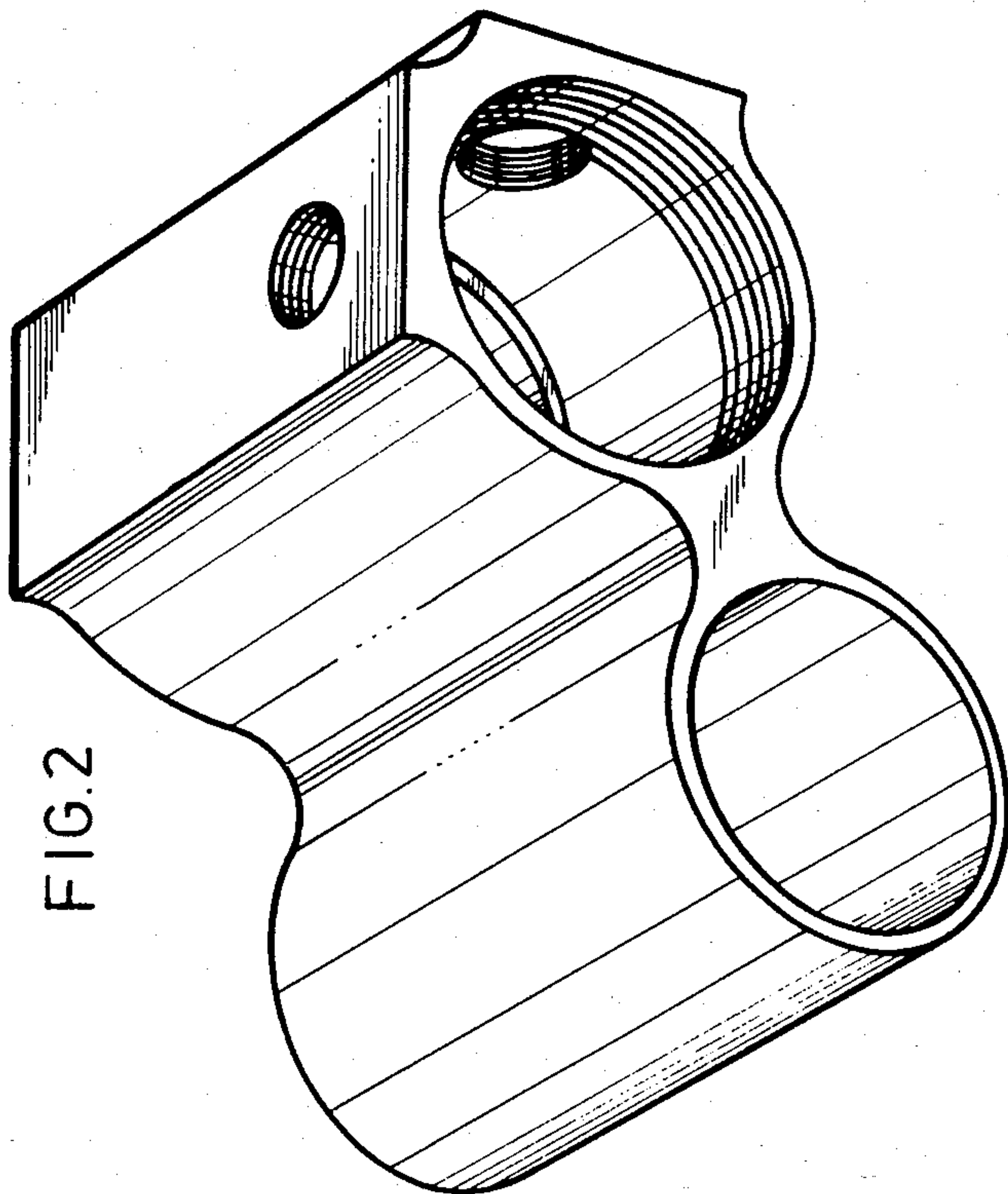


FIG. 2

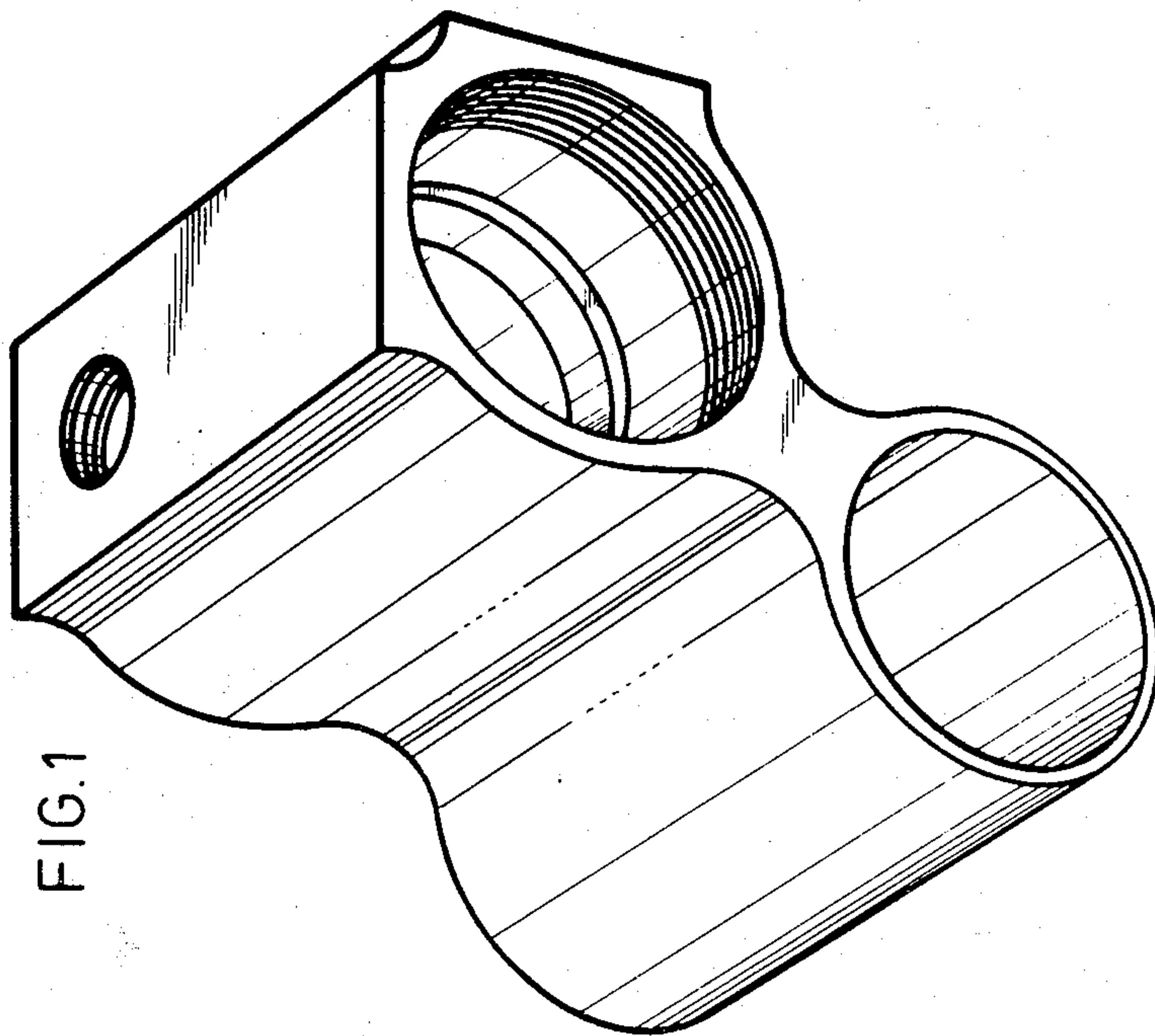


FIG. 1