

[54] CHILDREN'S PLAY GYM

[75] Inventors: D. Scott Saxman; William H. Ziegler, Jr., both of Bedford, Pa.

[73] Assignee: Hedstrom Corporation, Bedford, Pa.

[**] Term: 14 Years

[21] Appl. No.: 555,281

[22] Filed: Nov. 25, 1983

[52] U.S. Cl. D21/244

[58] Field of Search D21/240, 242, 243, 244, D21/245; 272/56.5 R, 113

[56] References Cited

U.S. PATENT DOCUMENTS

- D. 177,752 5/1956 Parker D21/244
- D. 224,243 7/1972 Hock et al. D21/244

OTHER PUBLICATIONS

Sears S & S 1976, p. 1122, "Big T Slider" Gym Set, top right on page.

Sears S & S 1970, p. 842, Sears Super Gym on page.

Primary Examiner—Carmen H. Vales

Attorney, Agent, or Firm—Cesari and McKenna

[57] CLAIM

The ornamental design for a children's play gym, substantially as shown.

DESCRIPTION

FIG. 1 is a side perspective view of a children's play gym showing our new design;

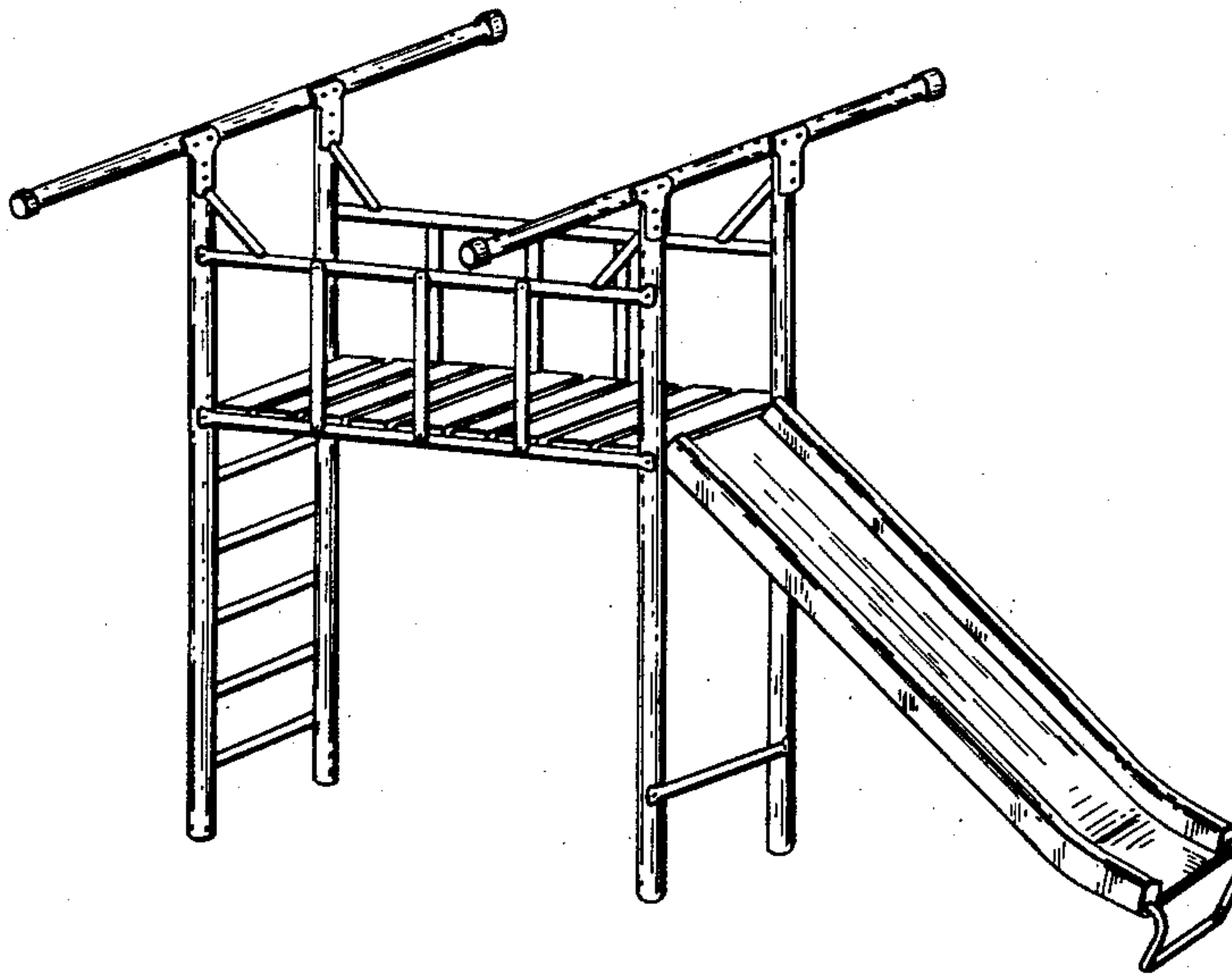
FIG. 2 is a rear elevational view thereof;

FIG. 3 is a front elevational view thereof;

FIG. 4 is a right side elevational view thereof;

FIG. 5 is a top plan view thereof; and

FIG. 6 is a bottom plan view thereof.



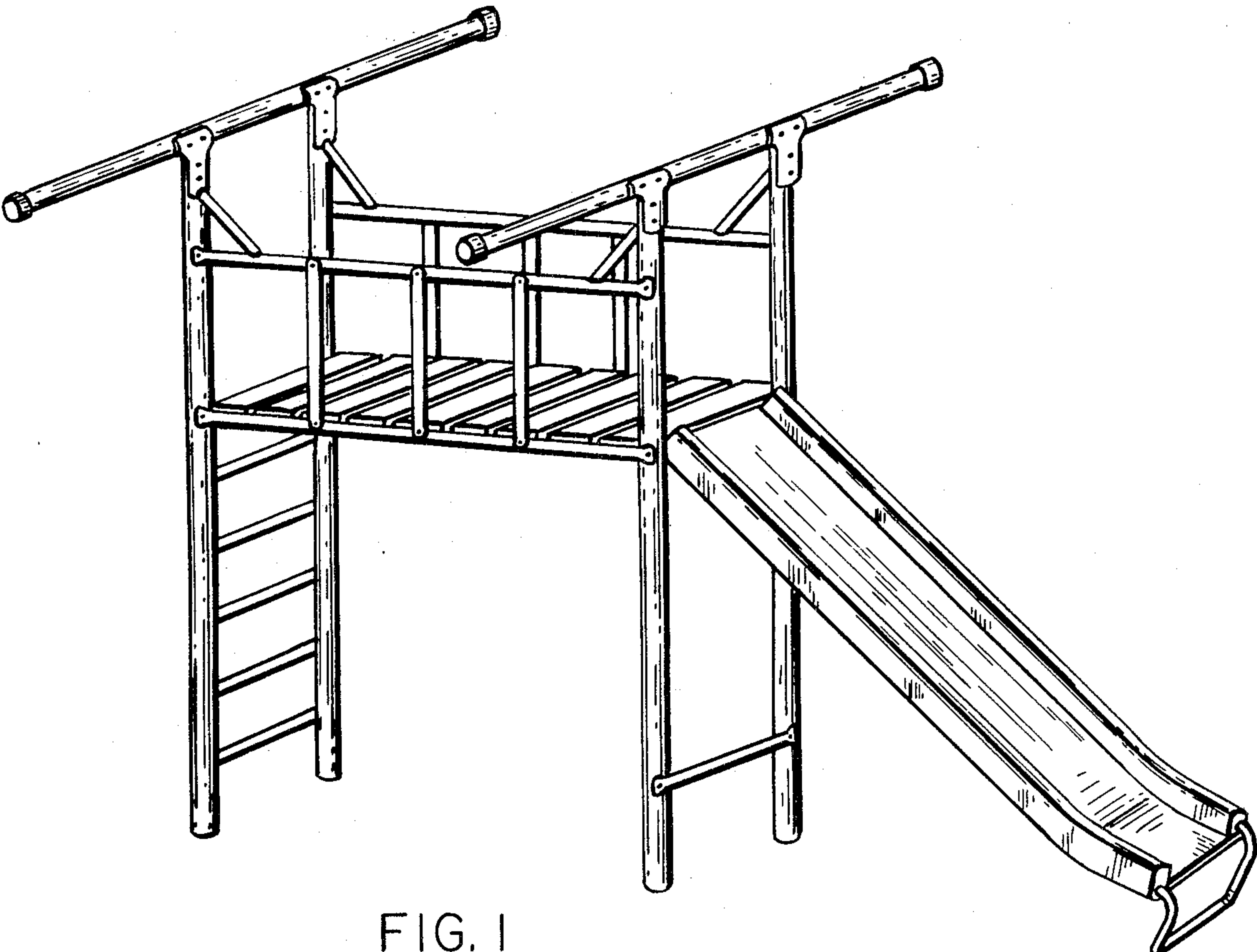


FIG. 1

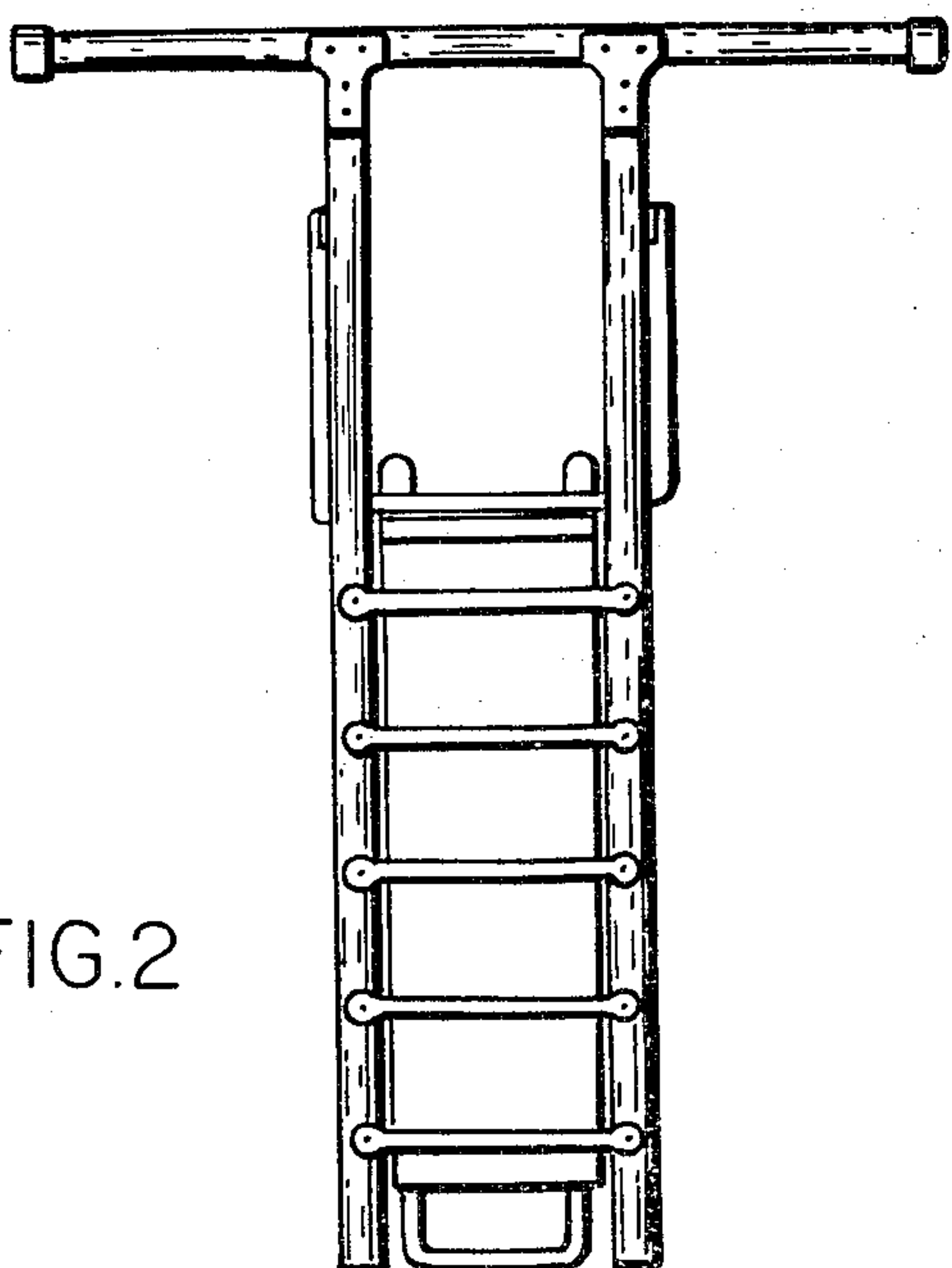


FIG. 2

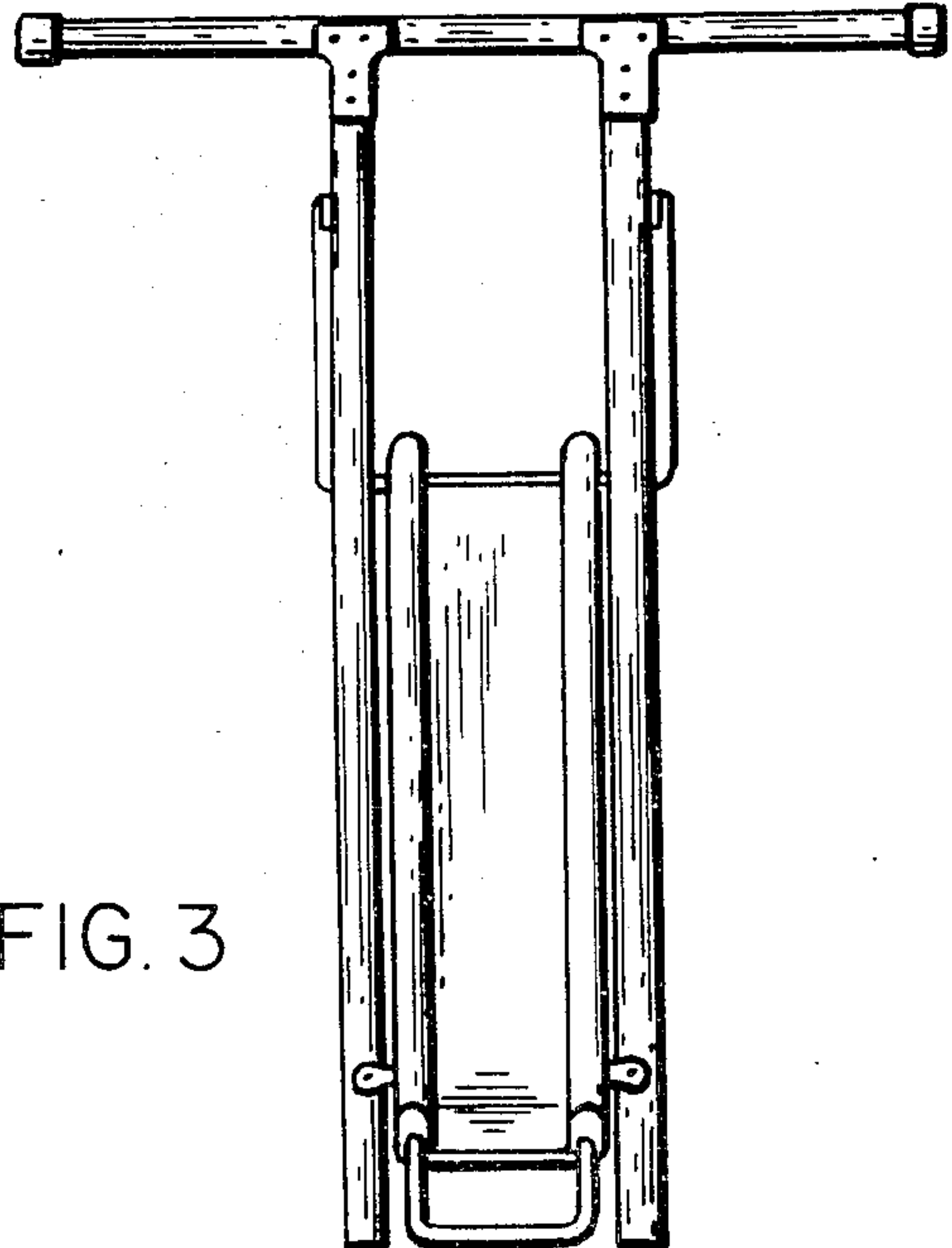


FIG. 3

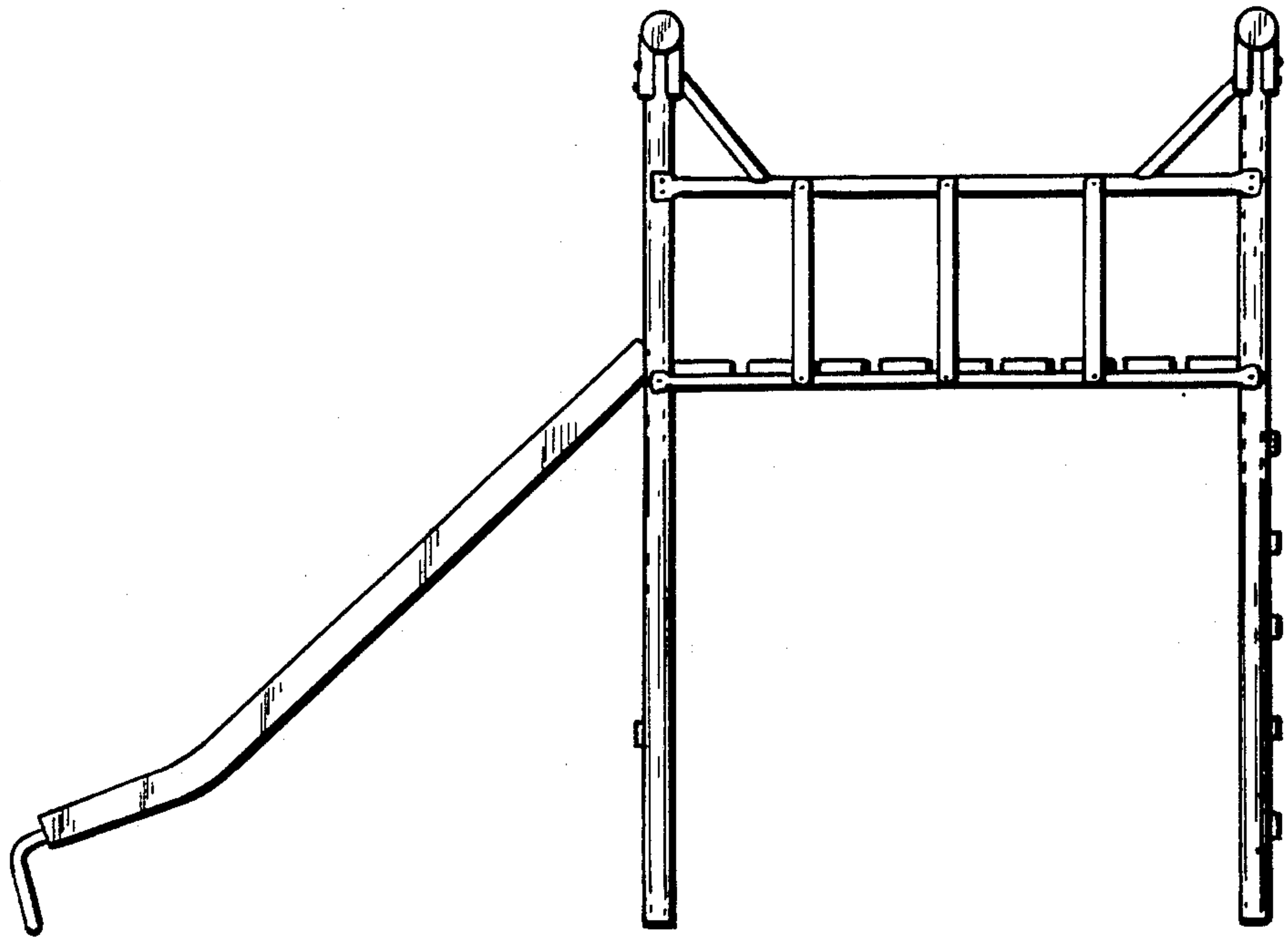


FIG. 4

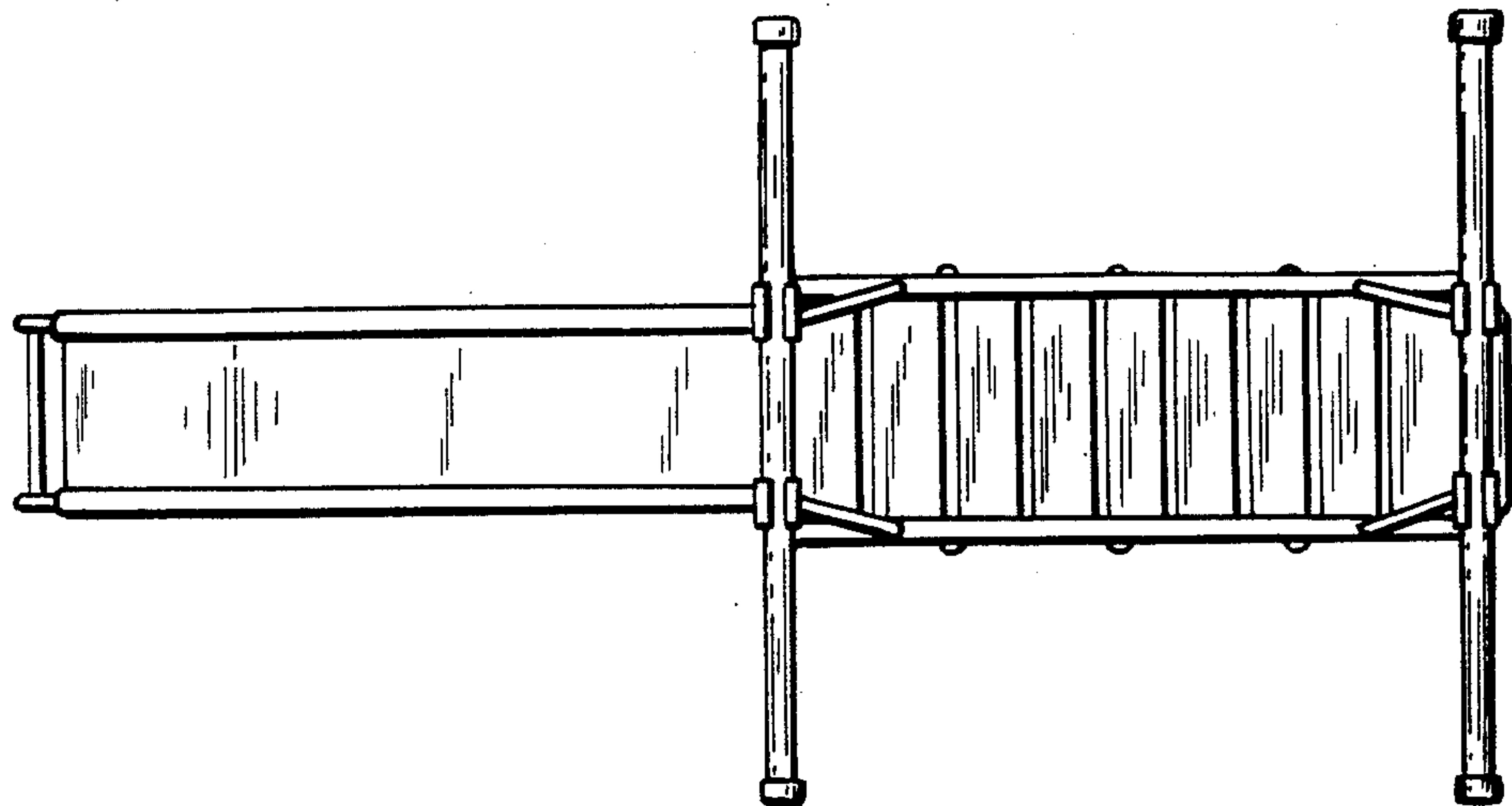


FIG. 5

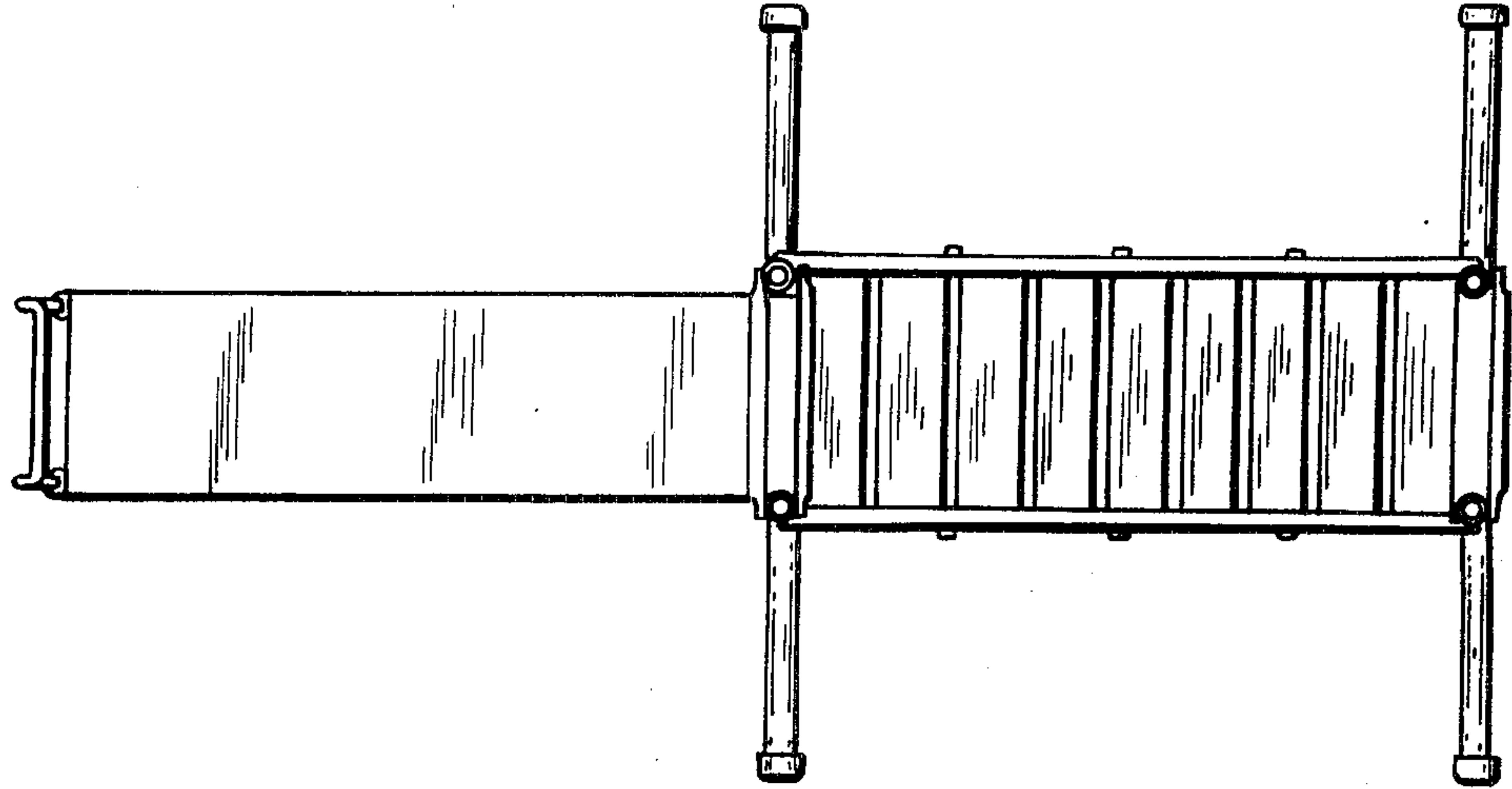


FIG. 6

UNITED STATES PATENT AND TRADEMARK OFFICE
CERTIFICATE OF CORRECTION

PATENT NO. : Des. 286,423
DATED : October 28, 1986
INVENTOR(S) : D. Scott Saxman et al

It is certified that error appears in the above-identified patent and that said Letters Patent is hereby corrected as shown below:

In the heading:

Change "Appl. No.: 555,281" to --Appl. No.: 555,291--.

Signed and Sealed this
Twenty-fourth Day of February, 1987

Attest:

Attesting Officer

DONALD J. QUIGG

Commissioner of Patents and Trademarks