

[54] RECONFIGURABLE TOY LION

[75] Inventor: Masaki Maruyama, Tokyo, Japan

[73] Assignee: Takara Co., Ltd., Tokyo, Japan

[\*\*] Term: 14 Years

[21] Appl. No.: 616,422

[22] Filed: May 30, 1984

[30] Foreign Application Priority Data

Jan. 31, 1984 [JP] Japan ..... 59-3049

[52] U.S. Cl. .... D21/163; D21/150

[58] Field of Search ..... D21/148, 150, 163;  
446/97, 99, 321, 376, 487

[56] References Cited

U.S. PATENT DOCUMENTS

D. 216,997 3/1970 Klamer ..... D21/163  
D. 233,354 10/1974 Krumholtz et al. .... D21/163

FOREIGN PATENT DOCUMENTS

923055 2/1955 Fed. Rep. of Germany .

Primary Examiner—Melvin B. Feifer

Attorney, Agent, or Firm—Price, Gess & Ubell

[57] CLAIM

The ornamental design for a reconfigurable toy lion, substantially as shown and described.

DESCRIPTION

FIG. 1 is a front elevational view of a reconfigurable toy lion showing my new design;  
FIG. 2 is a rear elevational view;  
FIG. 3 is a right elevational side view;  
FIG. 4 is a top plan view;  
FIG. 5 is a bottom plan view;  
FIG. 6 is a left elevational side view;  
FIG. 7 is a front side perspective view of the toy;  
FIG. 8 is a front side perspective view of the toy with additional component parts;  
FIG. 9 is a rear side perspective view of the toy;  
FIG. 10 is a rear side perspective view of the toy being reconfigured;  
FIG. 11 is a rear side perspective view of the toy being reconfigured;  
FIG. 12 is a rear side perspective view of the toy being reconfigured;  
FIG. 13 is a rear side perspective view of the toy reconfigured into a spherical configuration;  
FIG. 14 is a front elevational side view of the embodiment of FIG. 13;  
FIG. 15 is a rear elevational view of the embodiment of FIG. 13;  
FIG. 16 is a right side elevational view of the embodiment of FIG. 13;  
FIG. 17 is a top plan view of the embodiment of FIG. 13; and  
FIG. 18 is a bottom plan view of the embodiment of FIG. 13.

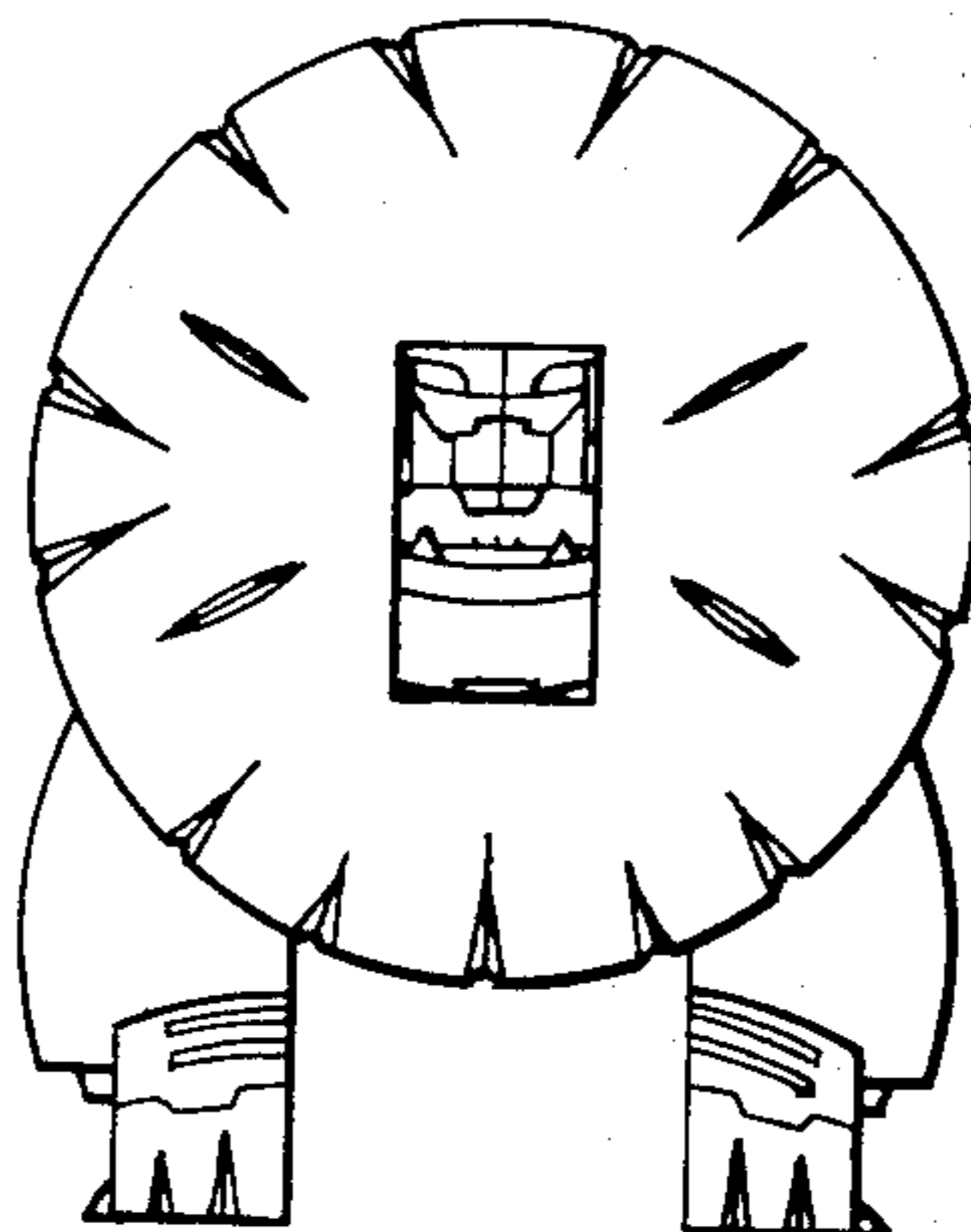


FIG.1

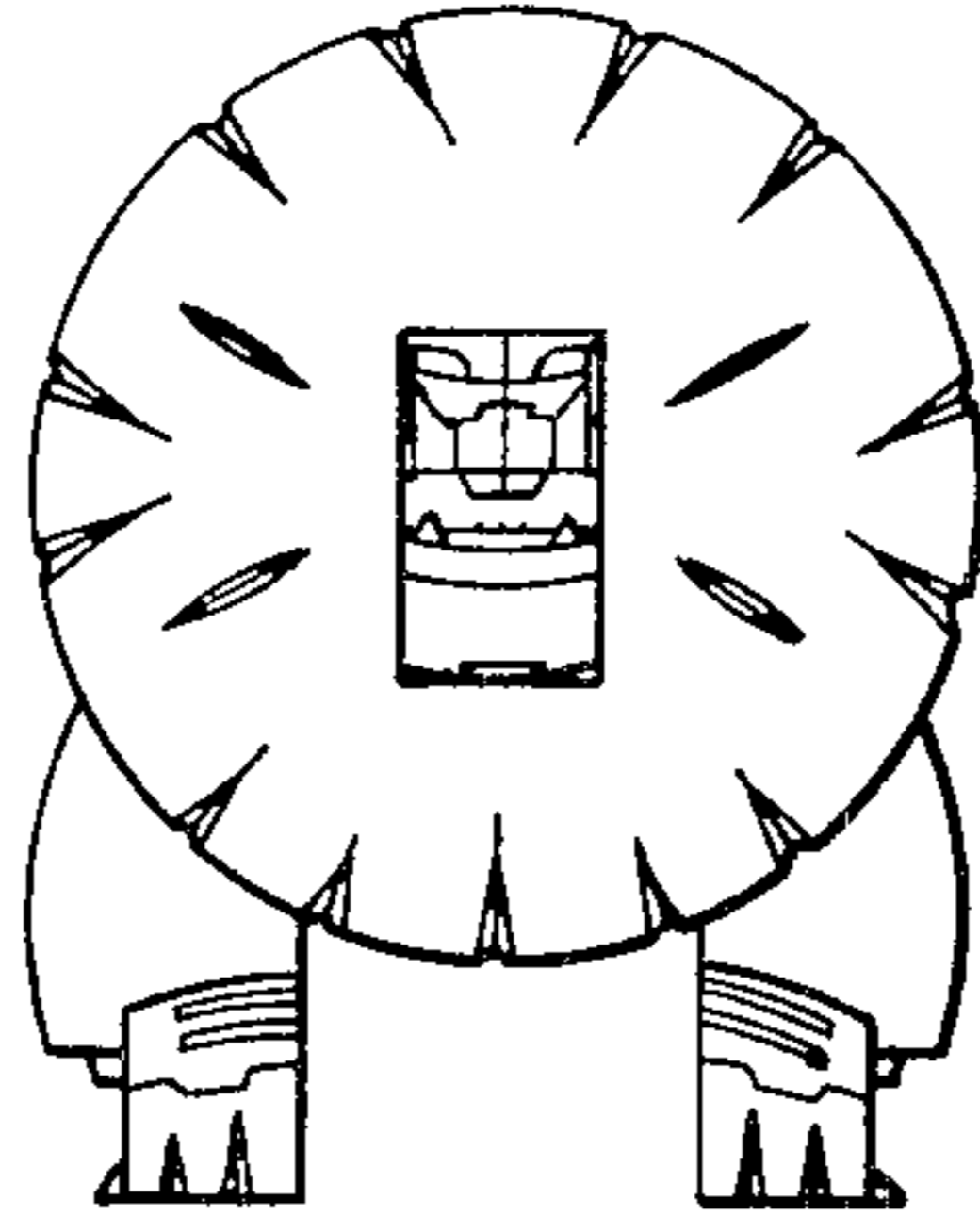


FIG.2

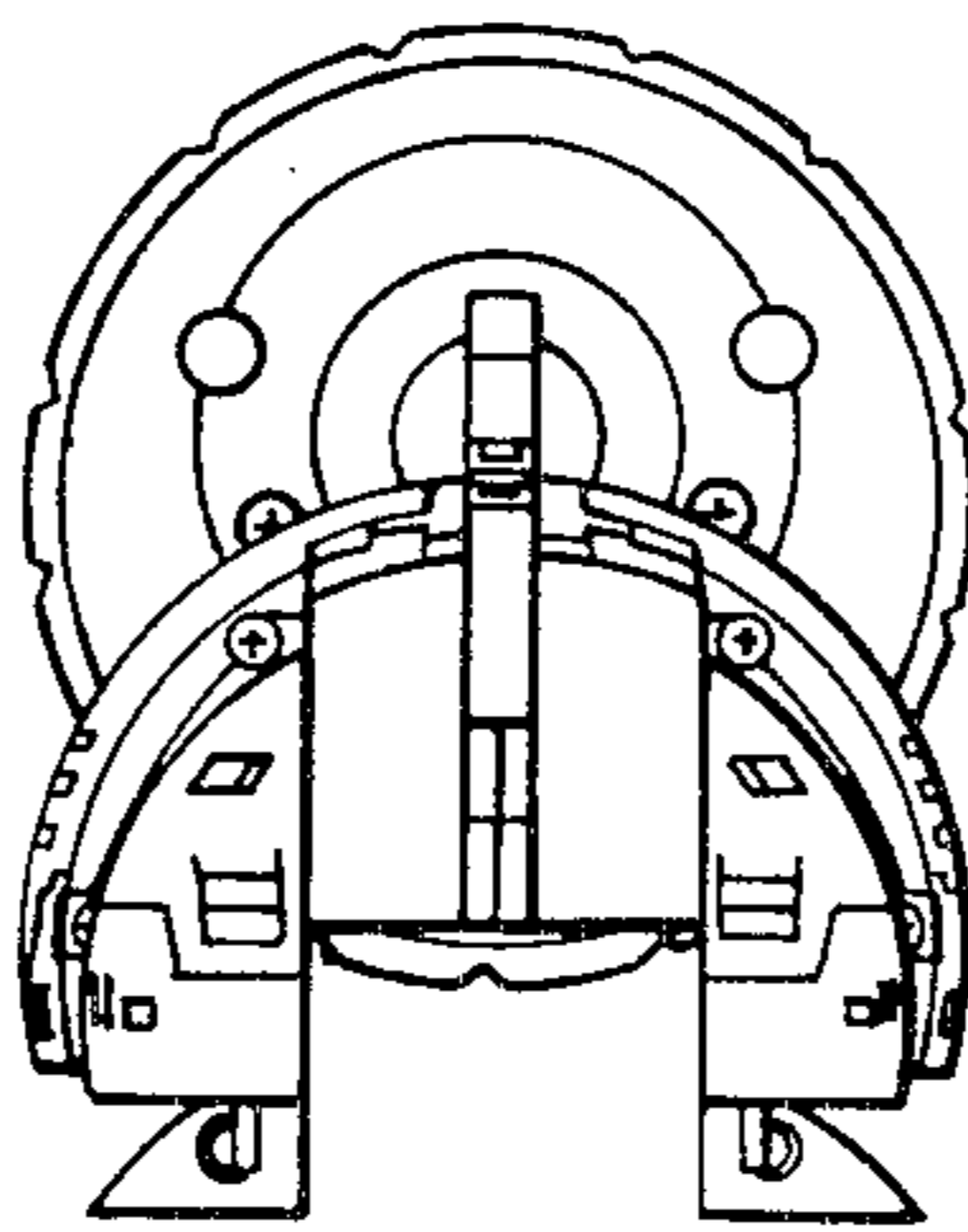


FIG.3

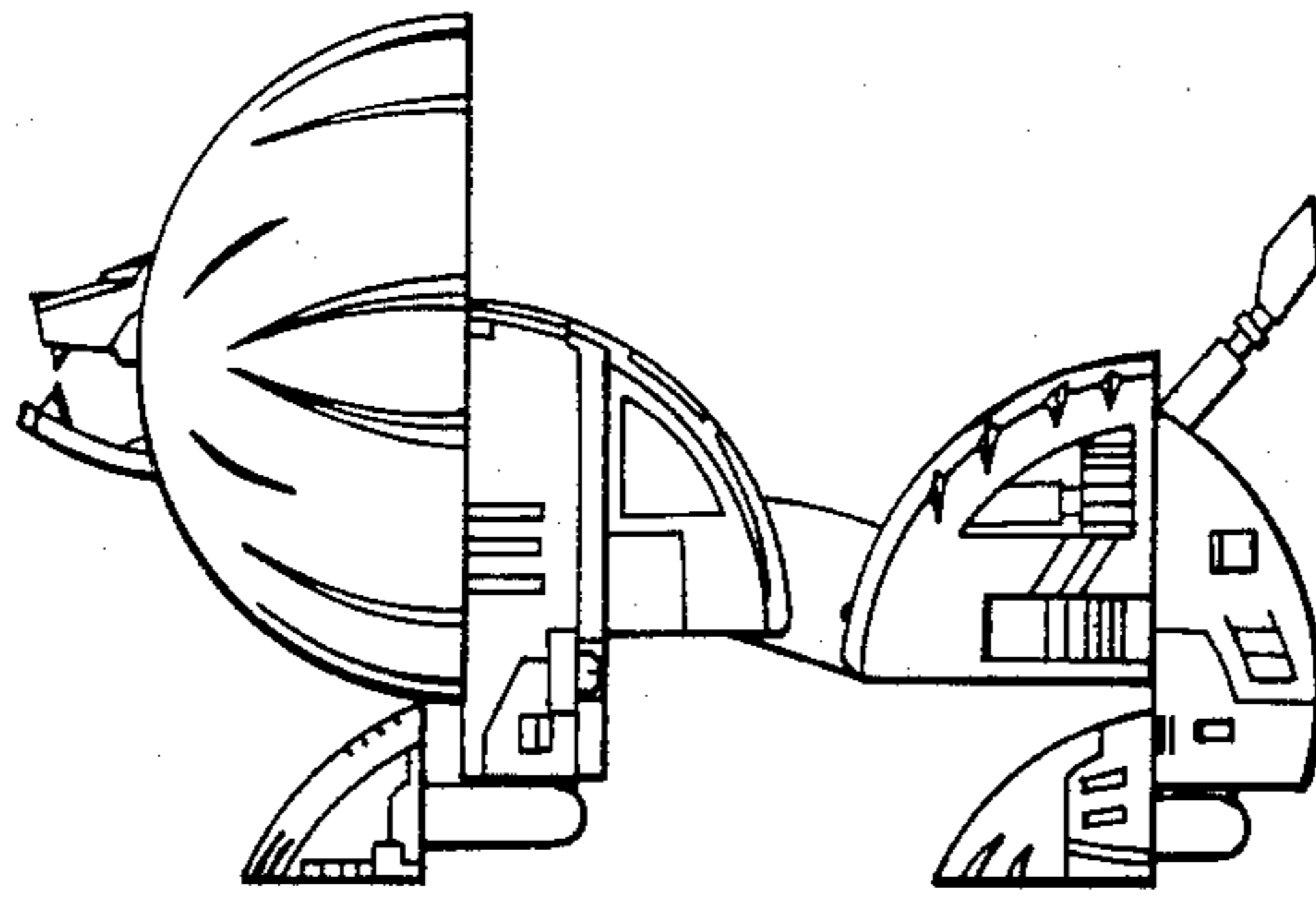


FIG.4

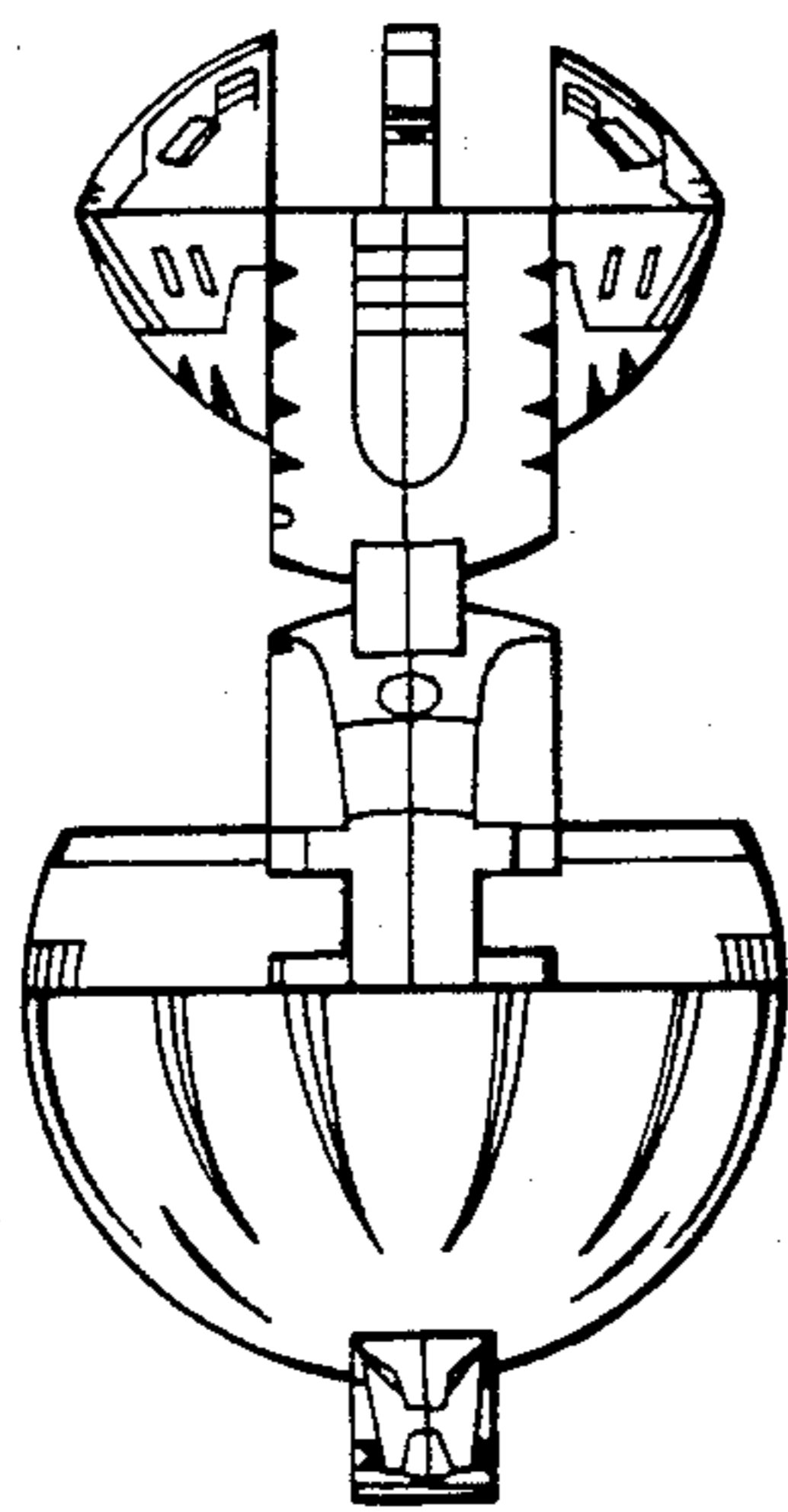


FIG.5

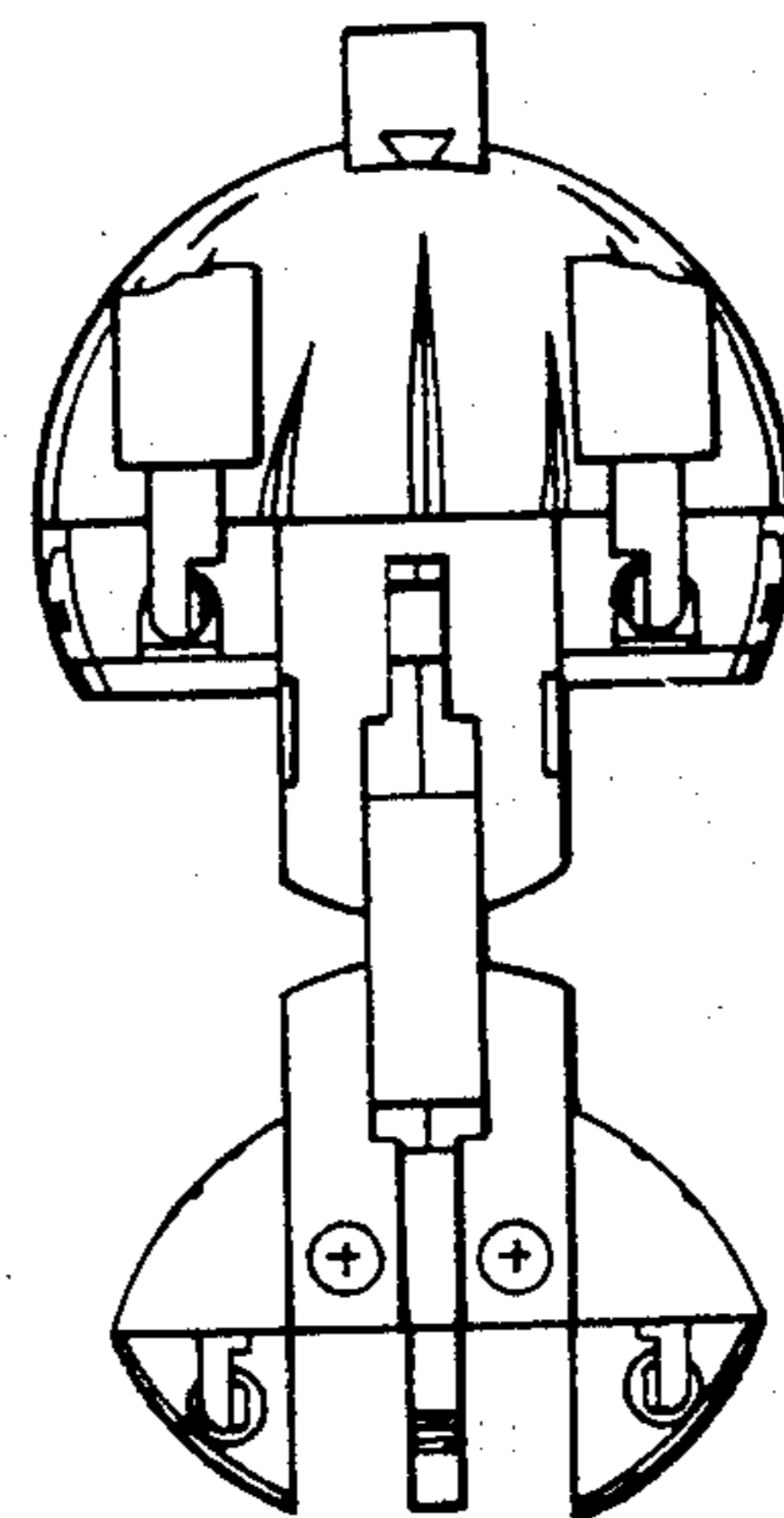


FIG.6

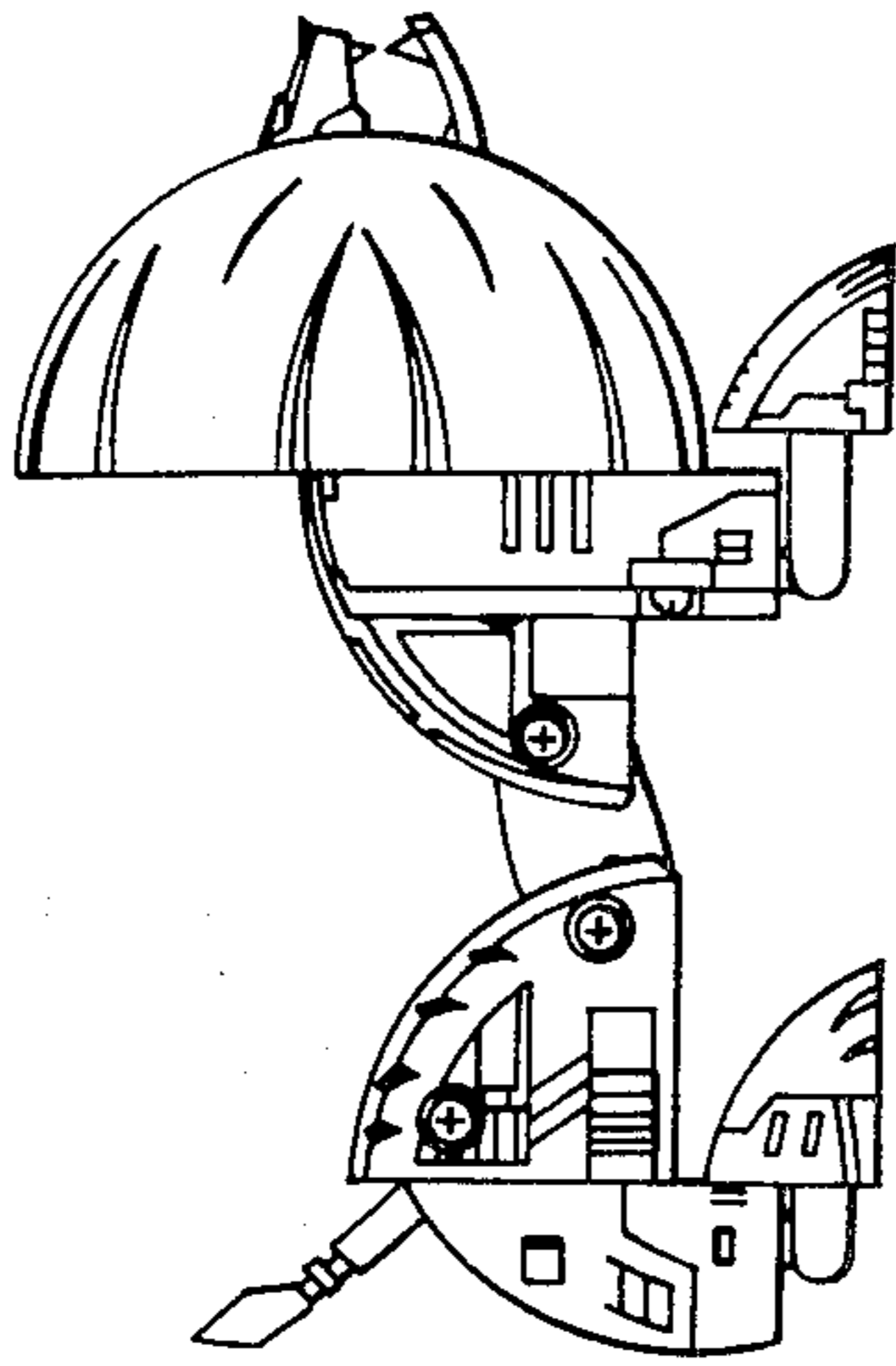


FIG.8

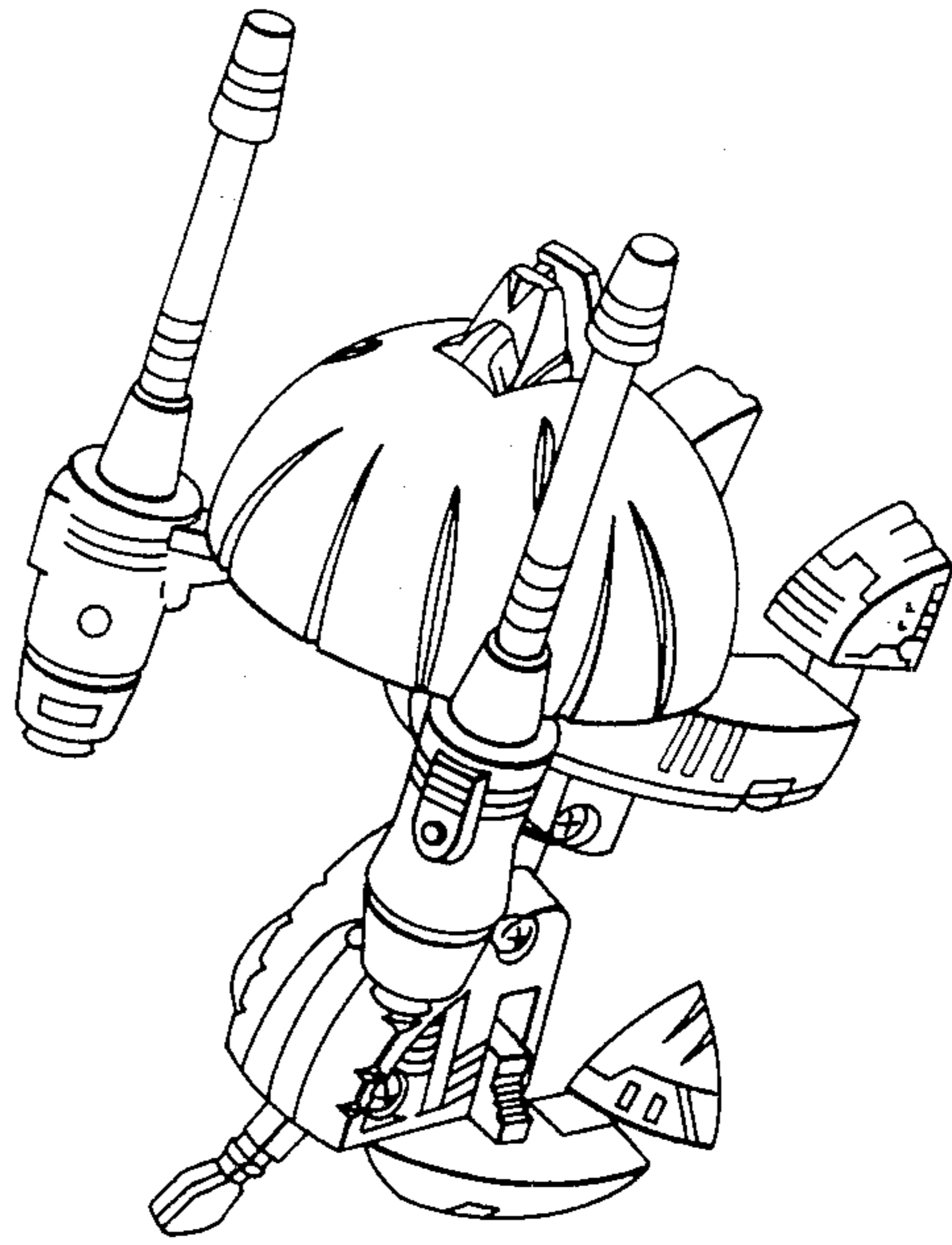
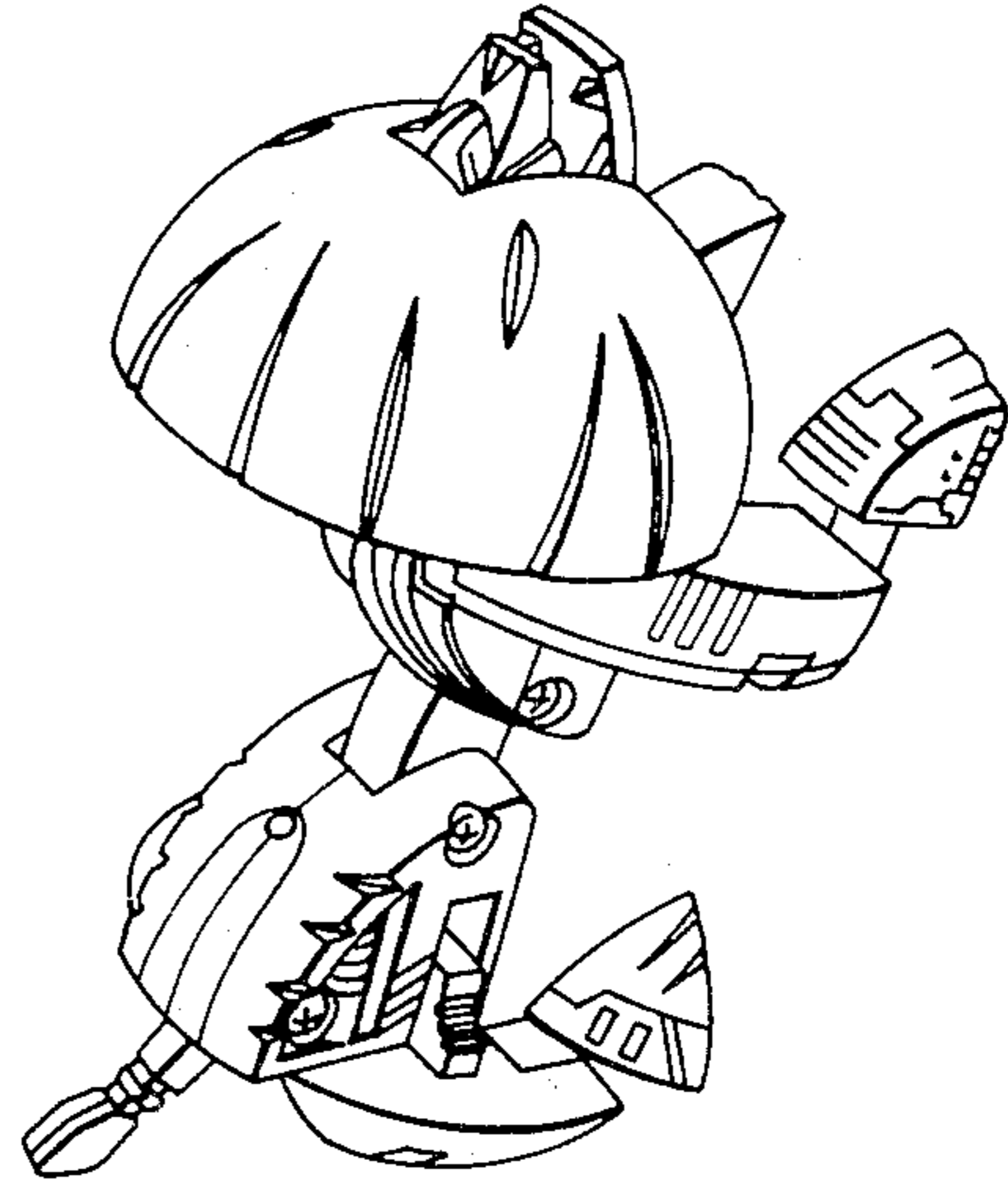
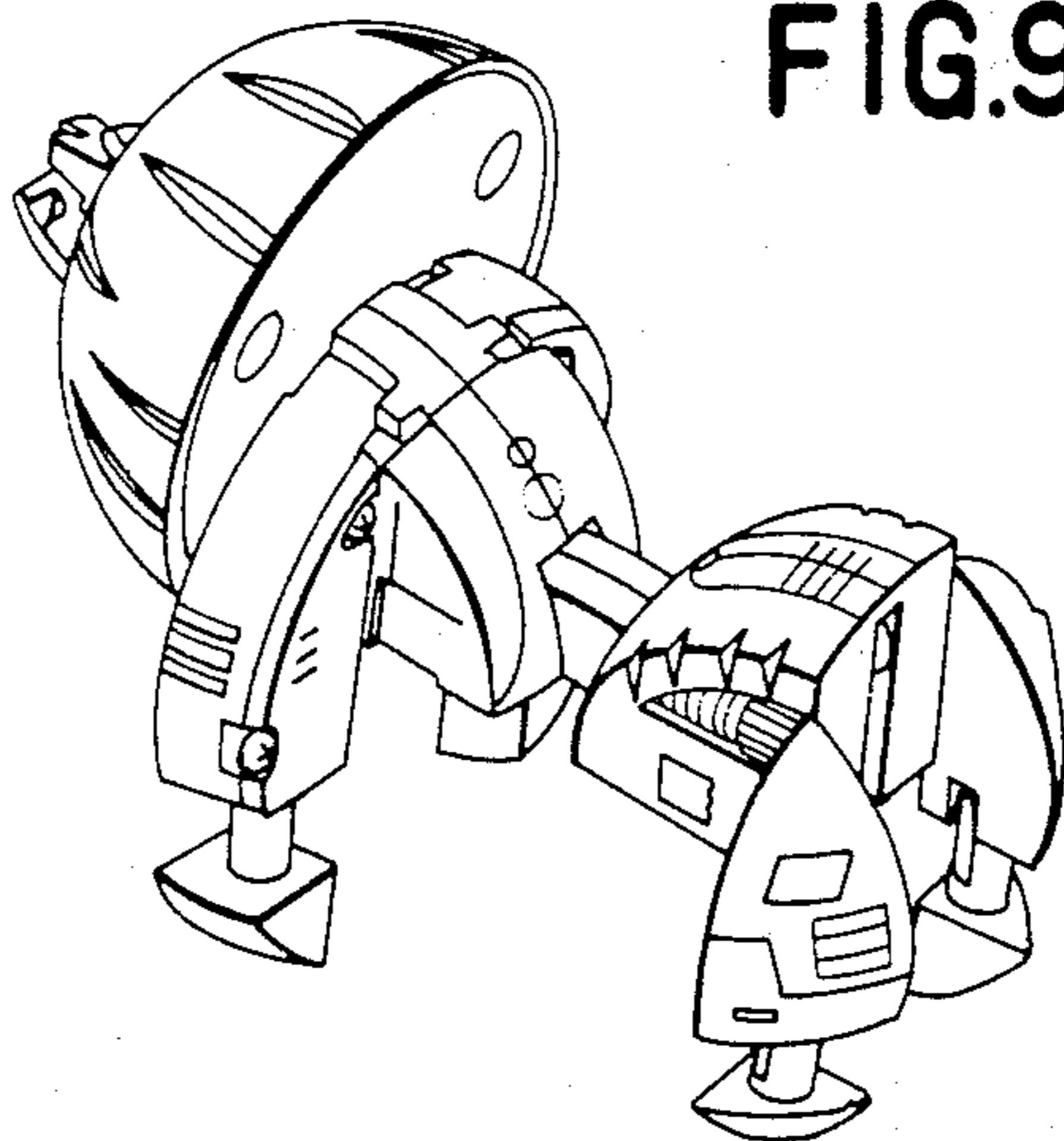


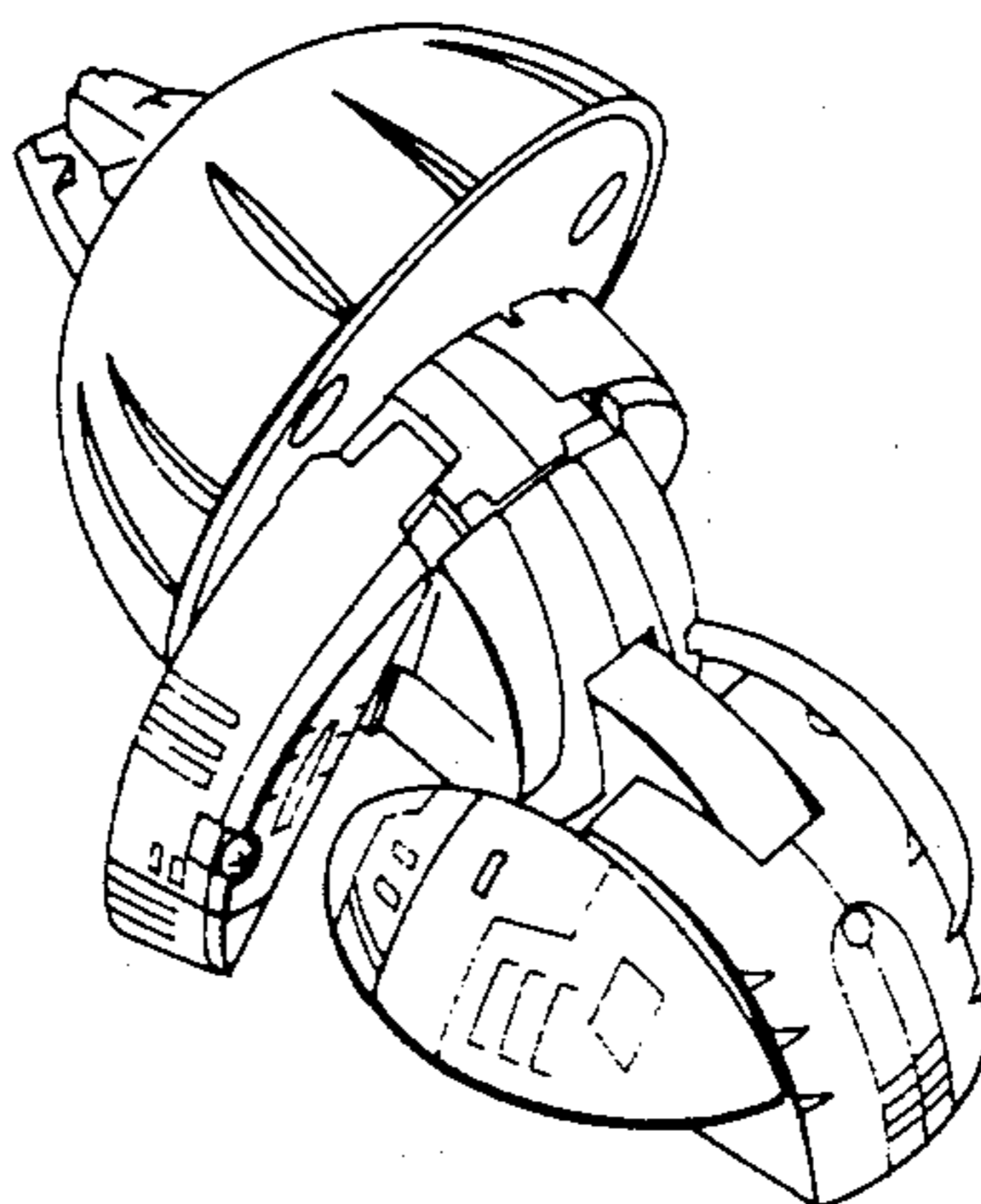
FIG.7

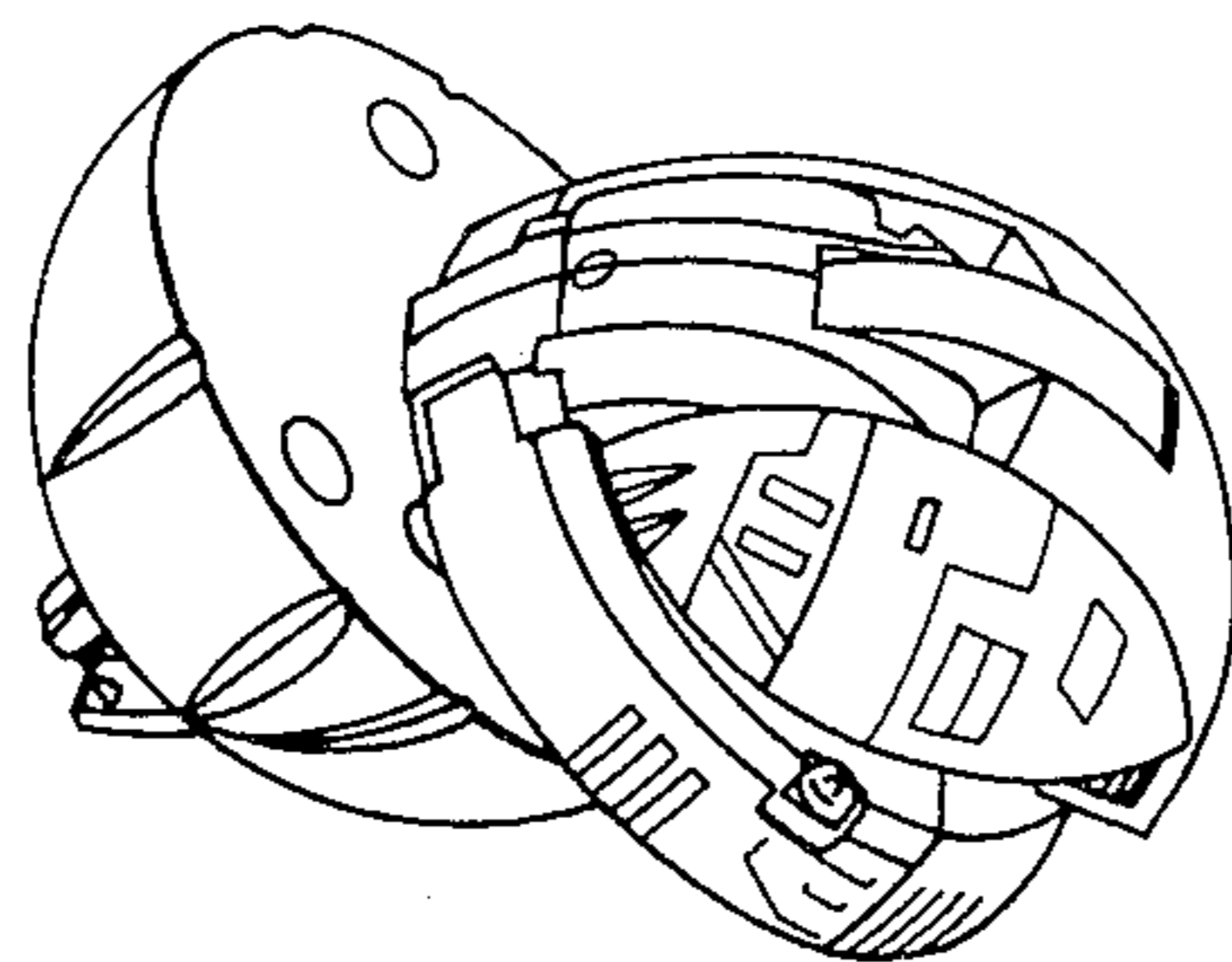


**FIG.9**

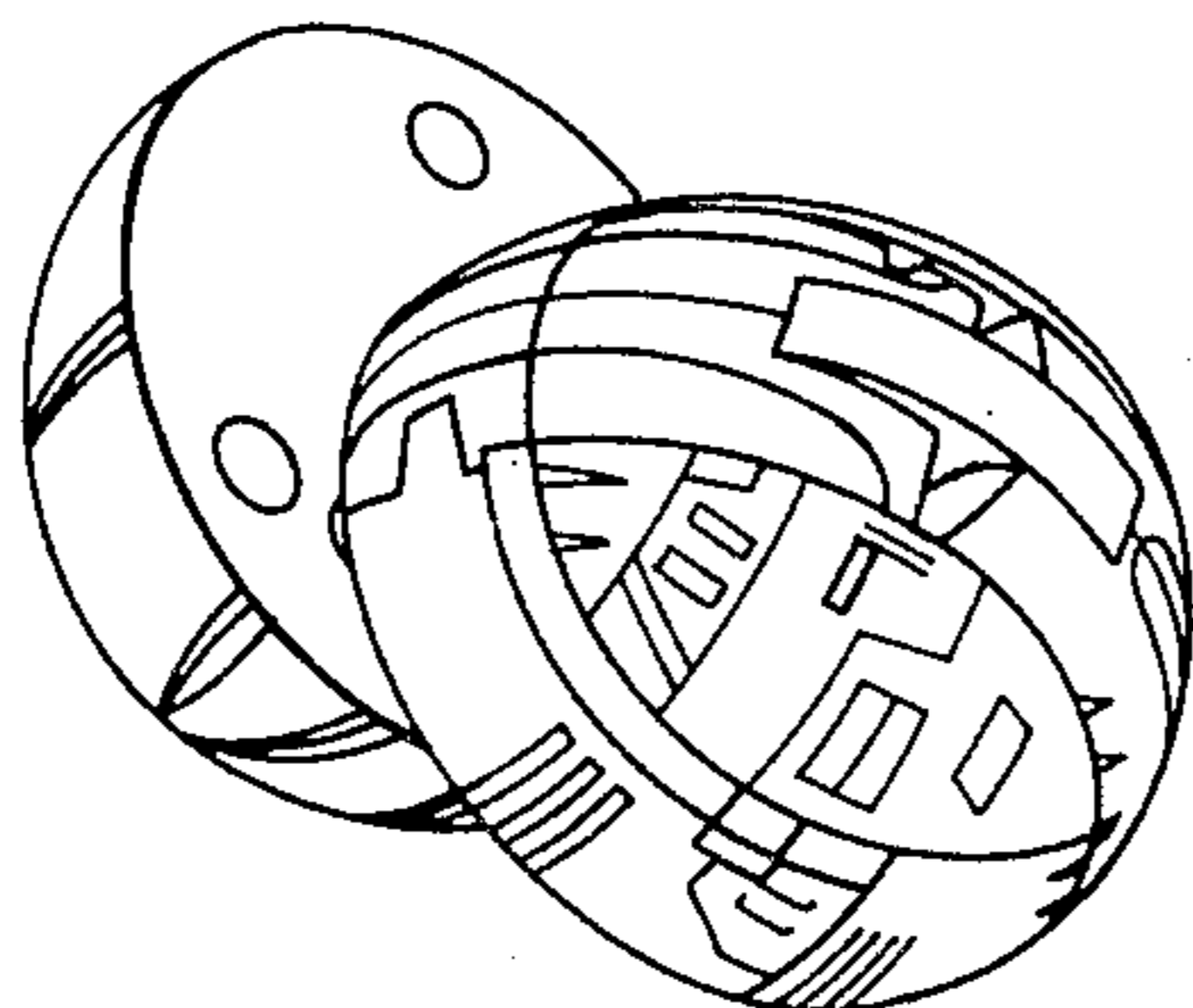


**FIG.10**

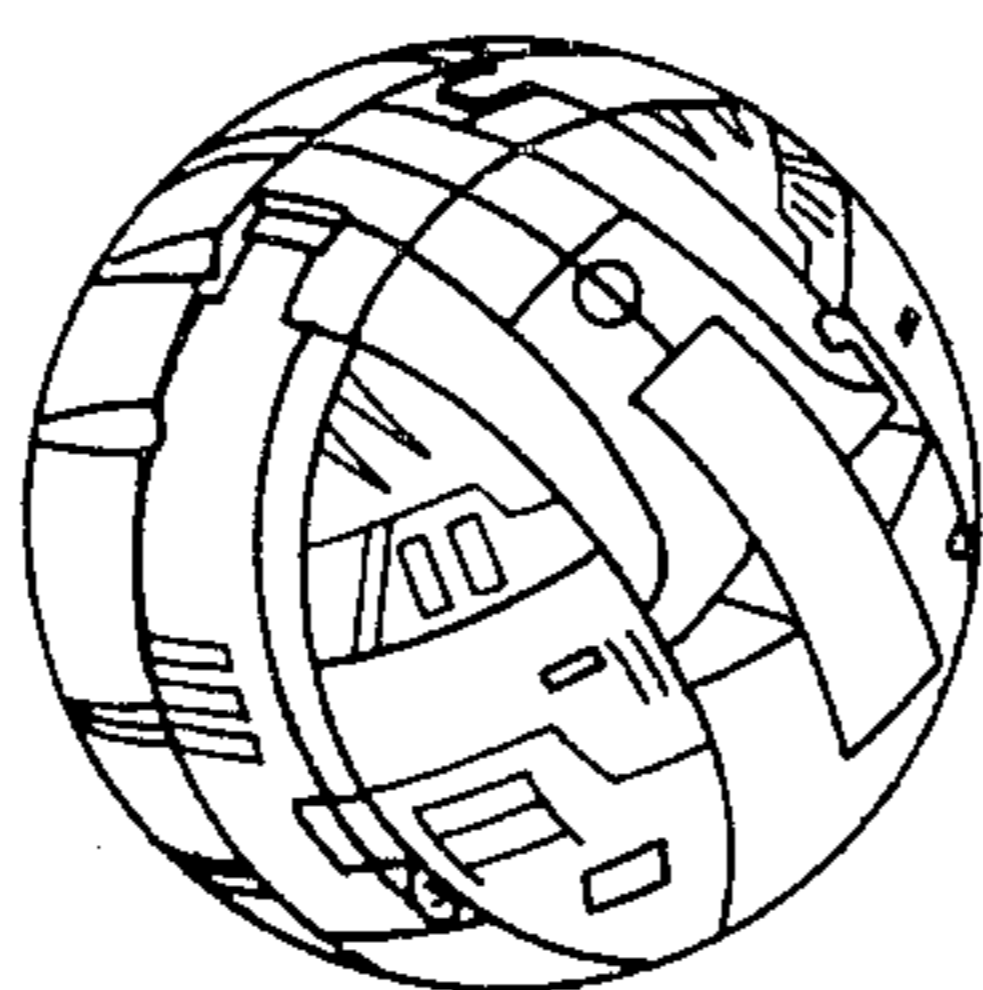




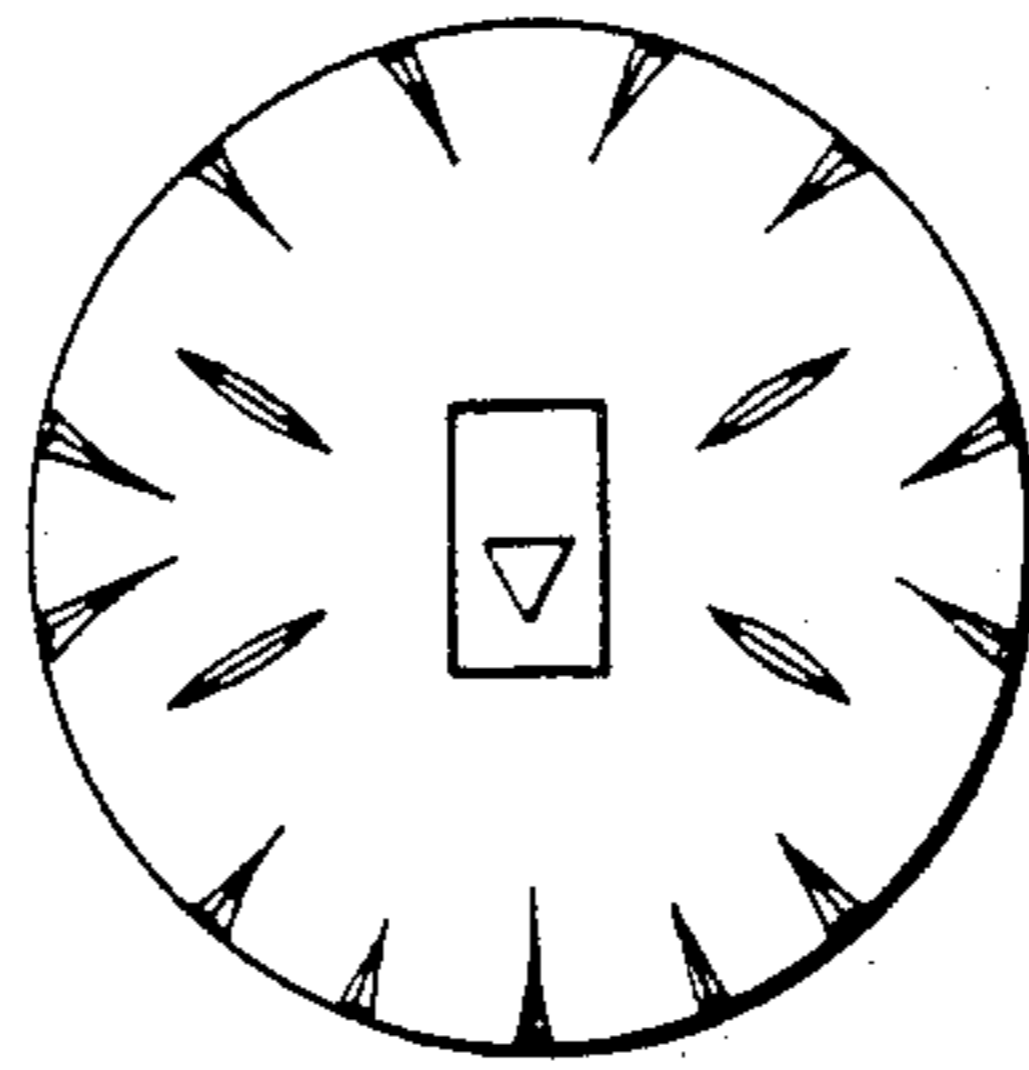
**FIG. 11**



**FIG. 12**

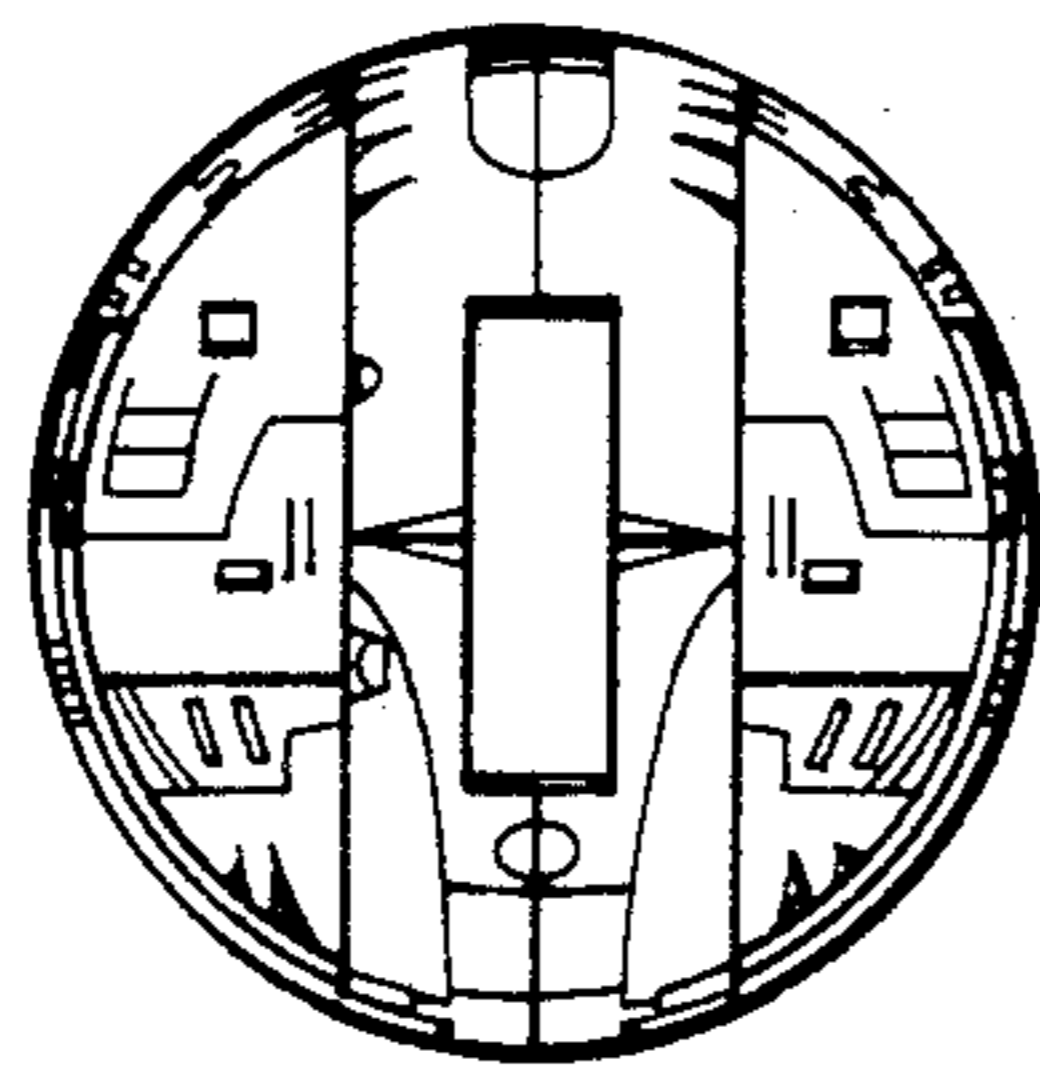


**FIG. 13**

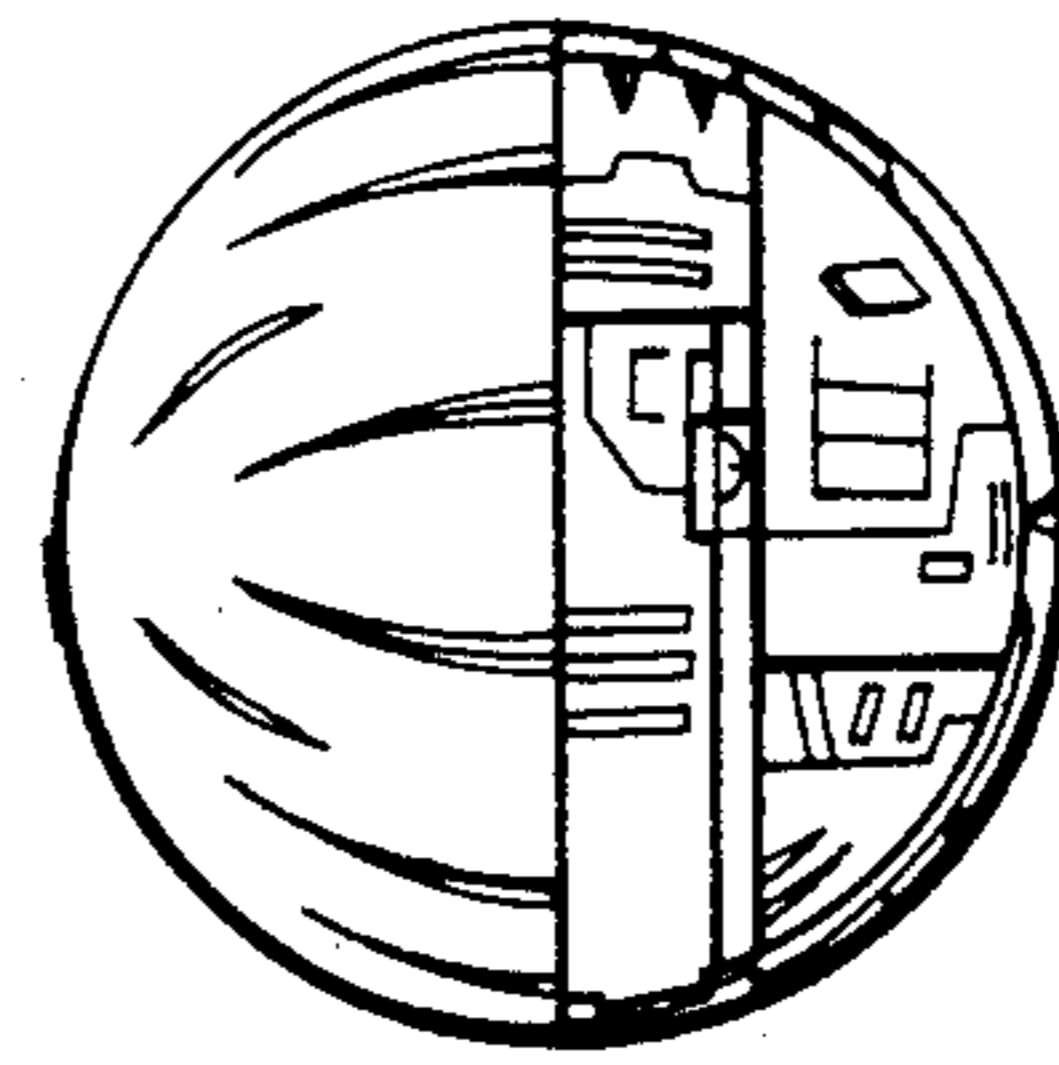


**FIG. 14**

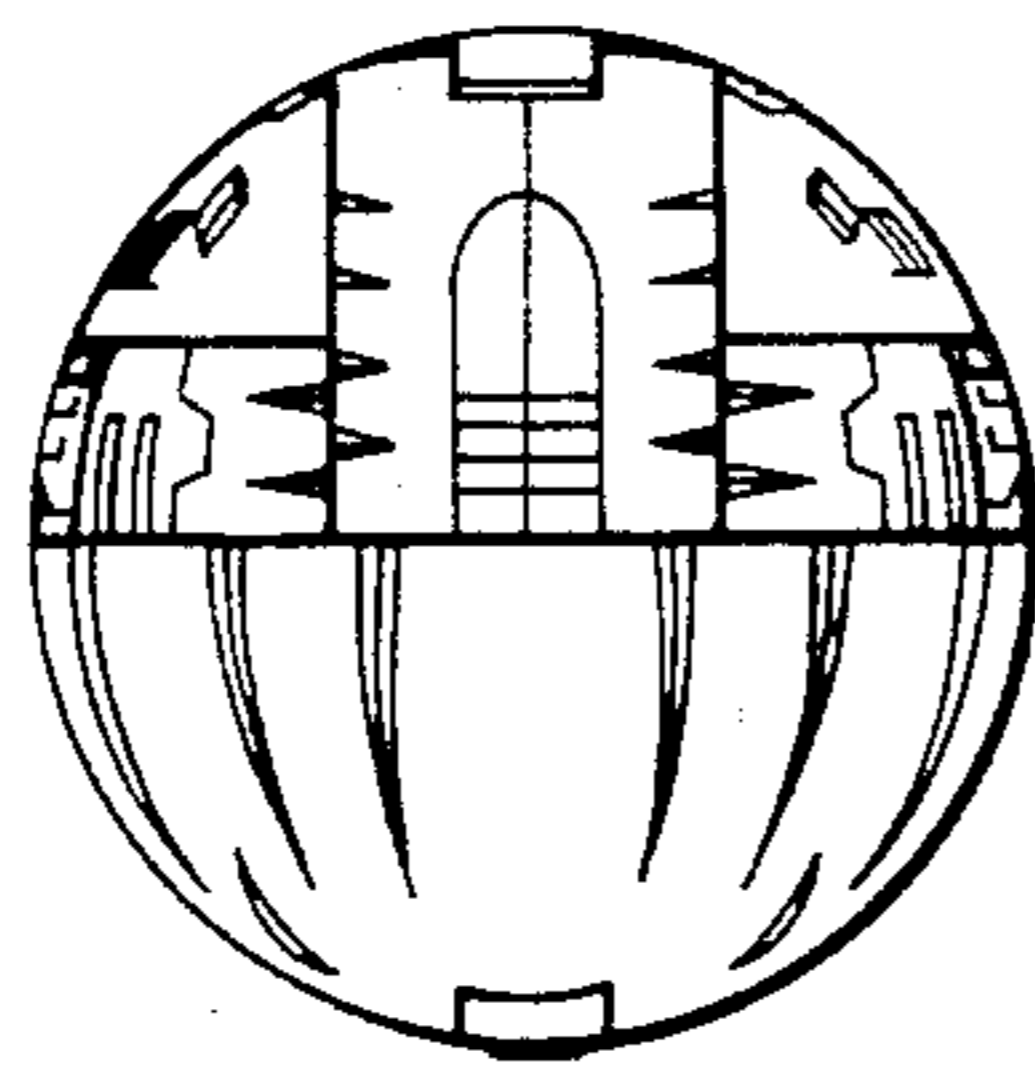
**FIG. 15**



**FIG. 16**



**FIG. 17**



**FIG. 18**

