

[54] RECONFIGURABLE DINOSAURIN TOY

[75] Inventor: Kouzin Ohno, Tokyo, Japan

[73] Assignee: Takara Co., Ltd., Tokyo, Japan

[**] Term: 14 Years

[21] Appl. No.: 616,423

[22] Filed: May 30, 1984

[30] Foreign Application Priority Data

Apr. 10, 1984 [JP] Japan 59-14286

[52] U.S. Cl. D21/148; D21/150

[58] Field of Search D21/148, 150; 446/97, 446/99, 321, 376, 487

[56] References Cited

U.S. PATENT DOCUMENTS

4,391,060 7/1983 Nakane 446/97
4,515,571 5/1985 Kozuka 446/99

OTHER PUBLICATIONS

Toys and Novelties, Mar. 1963, p. 230, middle right, Stegosaurus.

Primary Examiner—Melvin B. Feifer

Attorney, Agent, or Firm—Price, Gess & Ubell

[57] CLAIM

The ornamental design for a reconfigurable dinosaurian toy, substantially as shown and described.

DESCRIPTION

FIG. 1 is a front elevational view of a reconfigurable dinosaurian toy showing my new design in a humanoid configuration;
FIG. 2 is a rear elevational view;
FIG. 3 is a right elevational side view;
FIG. 4 is a left elevational side view;
FIG. 5 is a top plan view;
FIG. 6 is a bottom plan view;
FIG. 7 is a front side perspective view;
FIG. 8 is a front side perspective view of the toy being reconfigured into a dinosaurian toy;
FIG. 9 is a rear side perspective view of the toy being reconfigured into a dinosaurian toy;
FIG. 10 is a left elevational side view of the toy being reconfigured into a dinosaurian toy;
FIG. 11 is a side perspective view of the toy being reconfigured into a dinosaurian toy;
FIG. 12 is a rear side perspective view of the toy in a dinosaurian configuration;
FIG. 13 is a right side perspective view of the embodiment of FIG. 12;
FIG. 14 is a front elevational view of the embodiment of FIG. 12;
FIG. 15 is a rear elevational view of the embodiment of FIG. 12;
FIG. 16 is a left elevational side view of the embodiment of FIG. 12;
FIG. 17 is a top plan view of the embodiment of FIG. 12; and
FIG. 18 is a bottom plan view of the embodiment of FIG. 12.

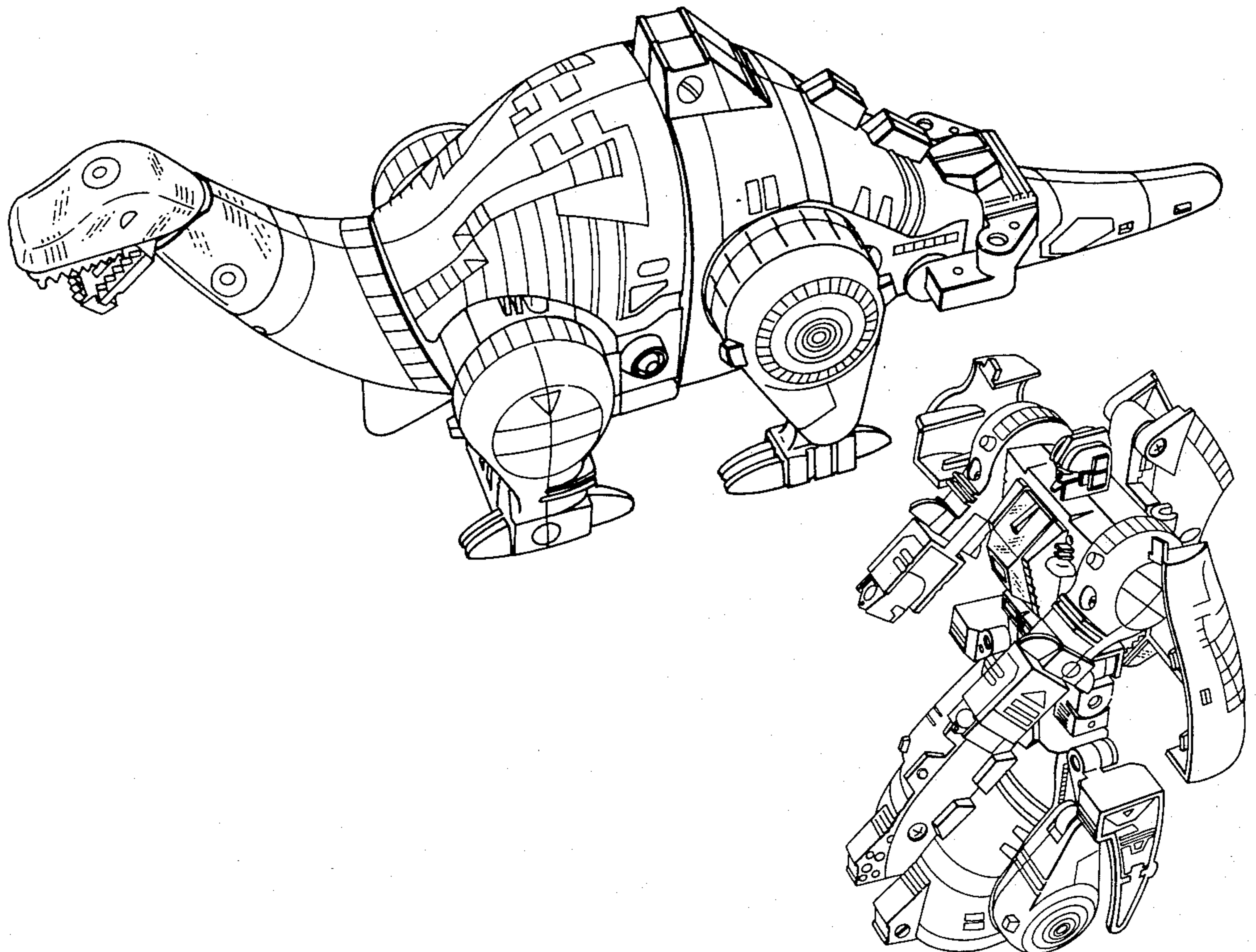


FIG. 2

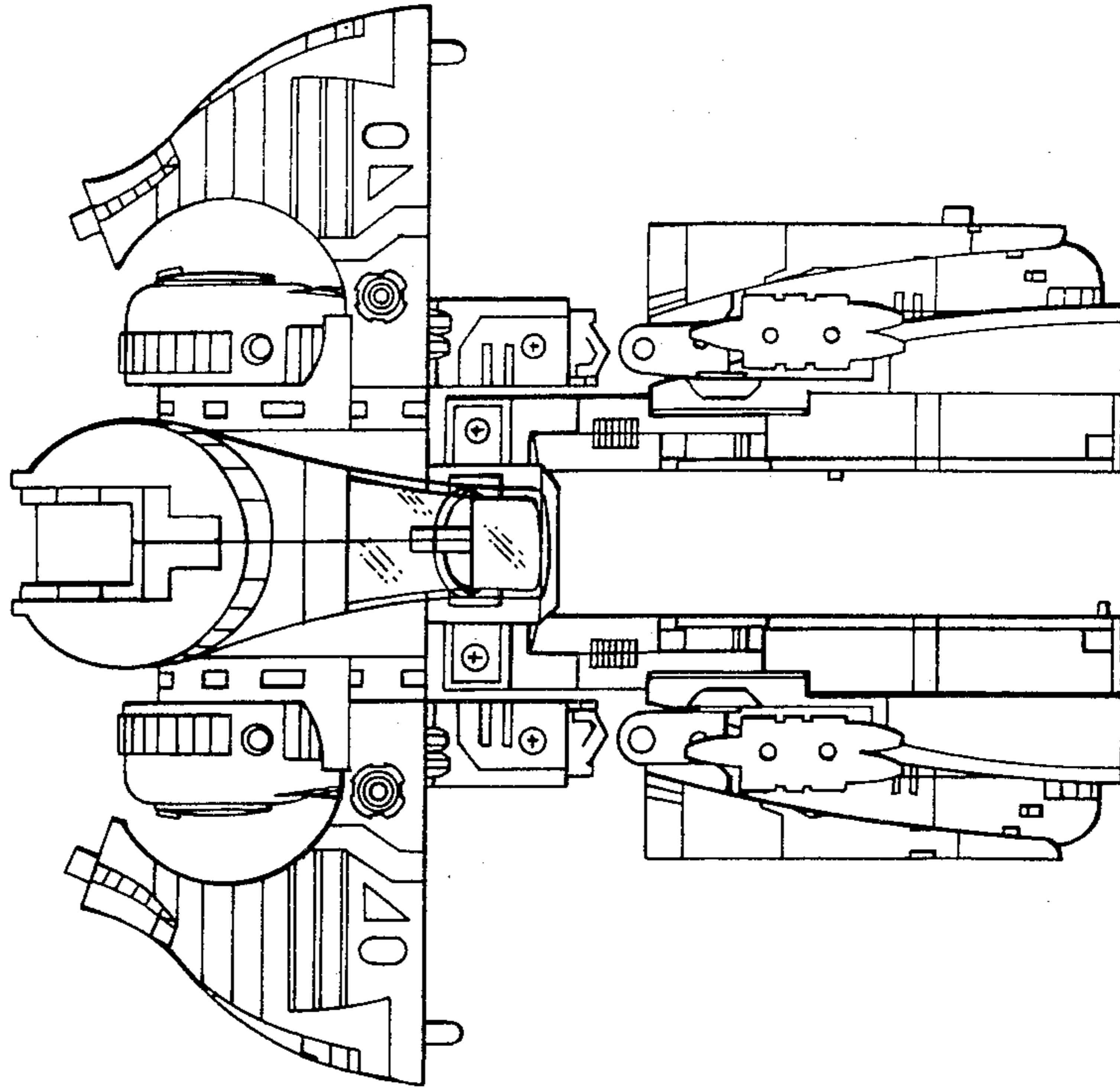


FIG. 1

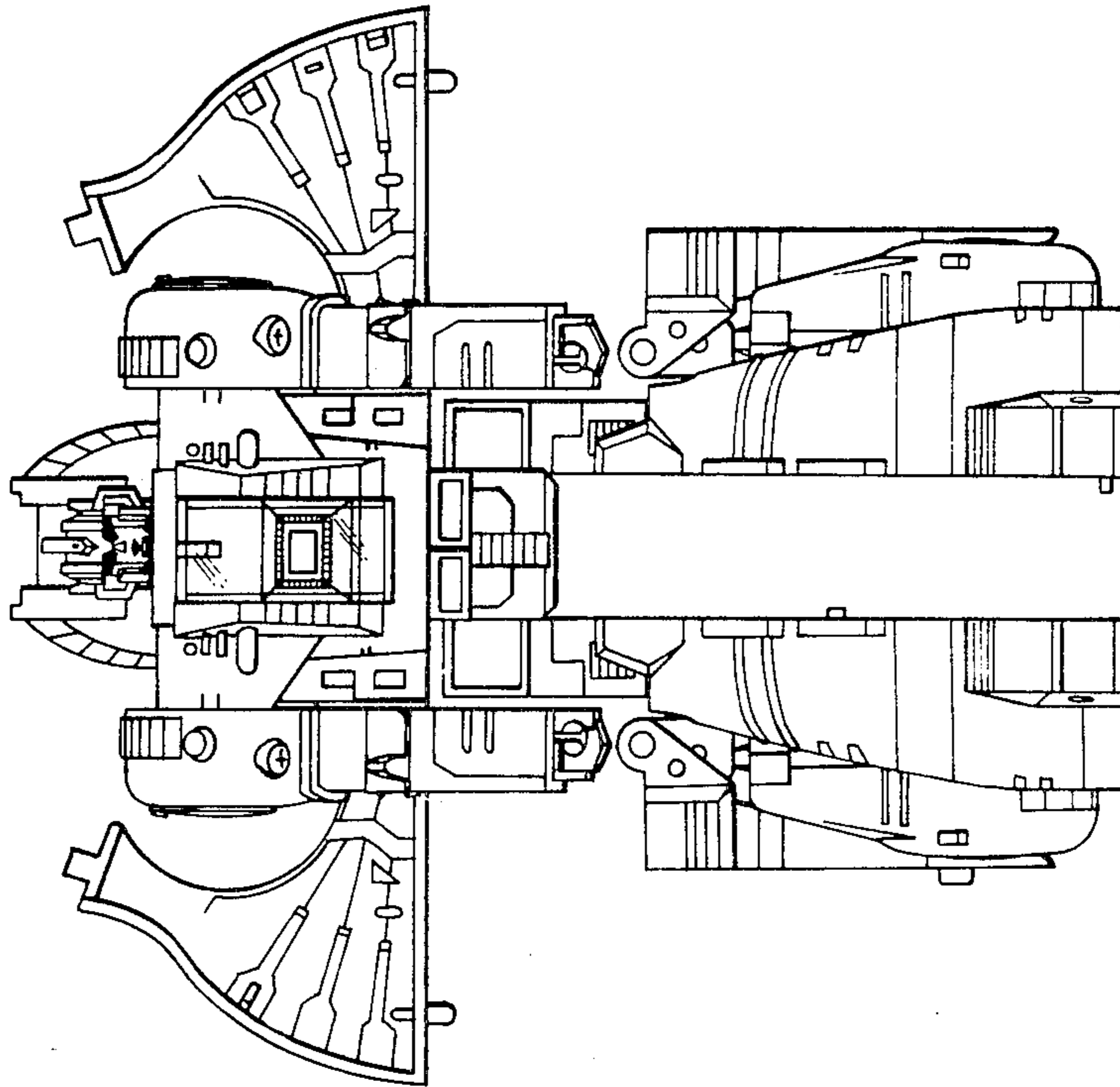


FIG.4

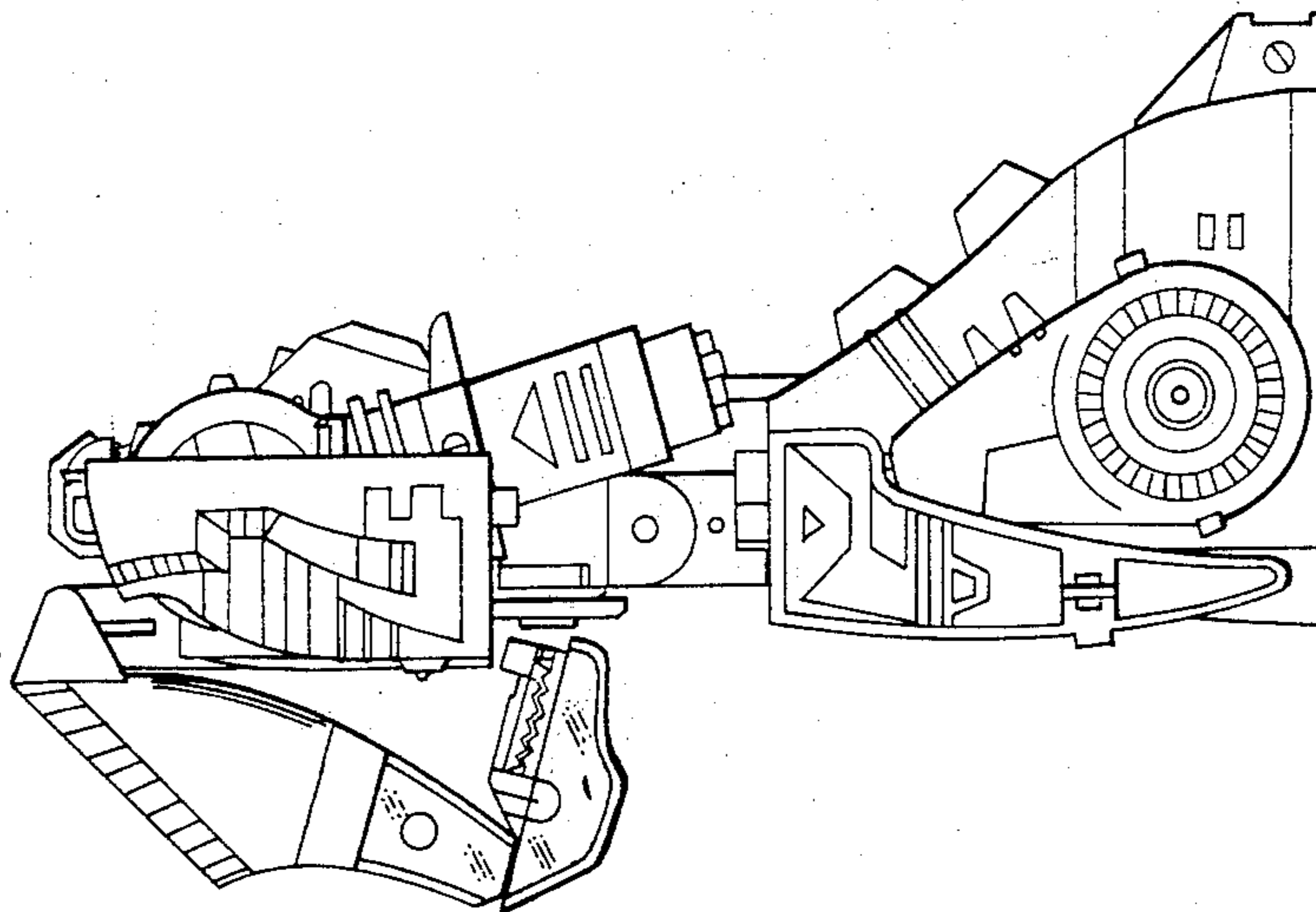


FIG.3

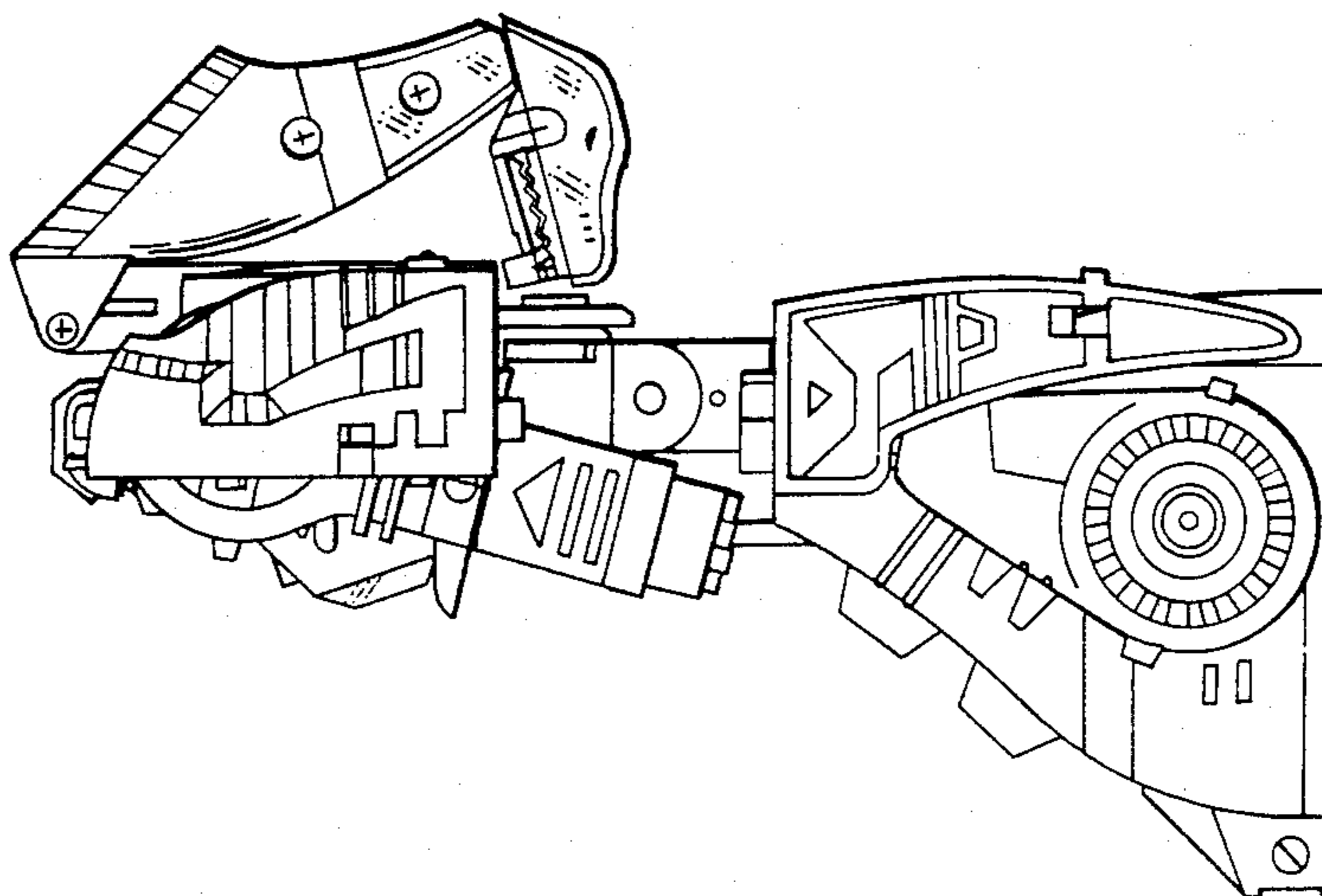


FIG.5

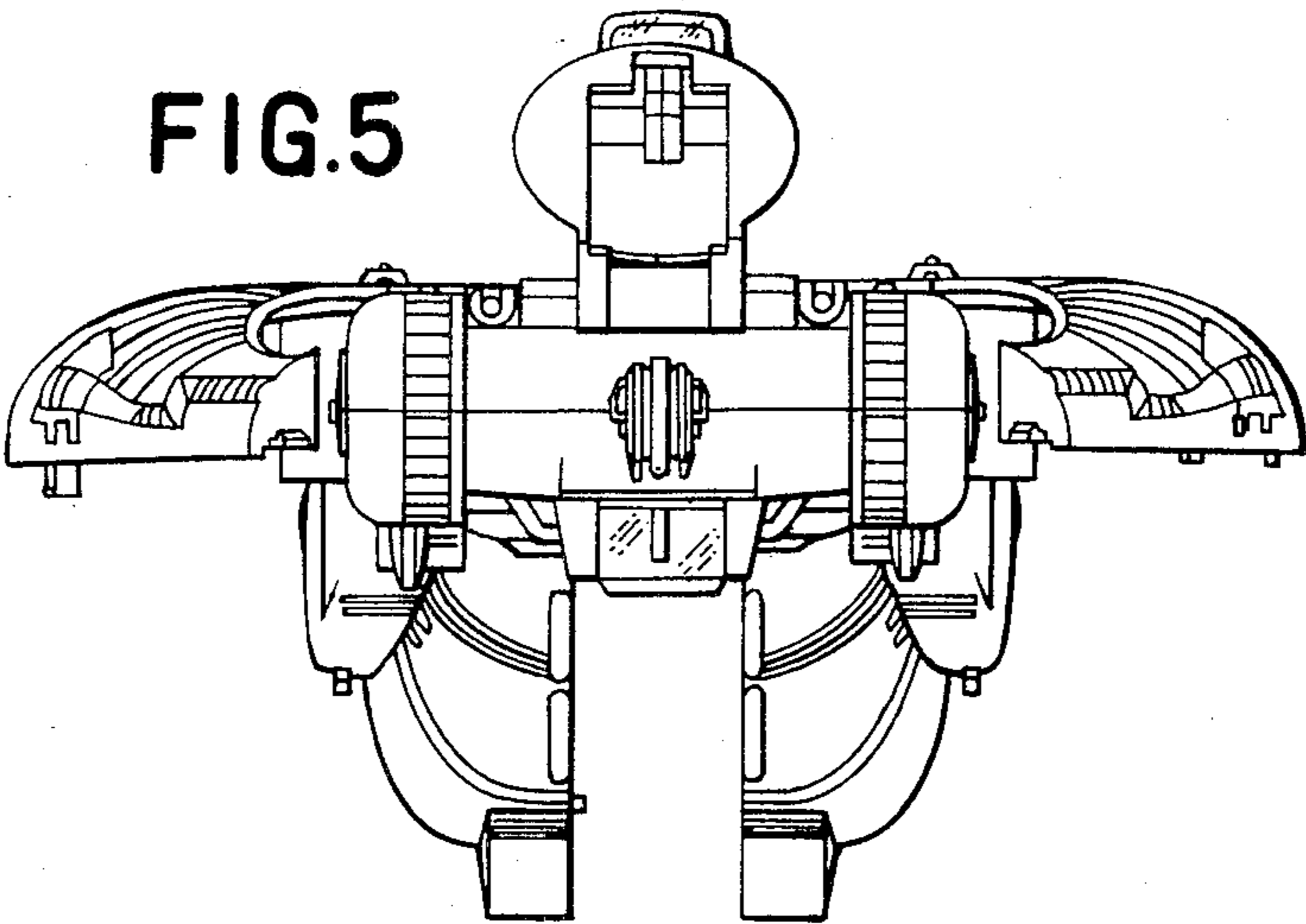


FIG.6

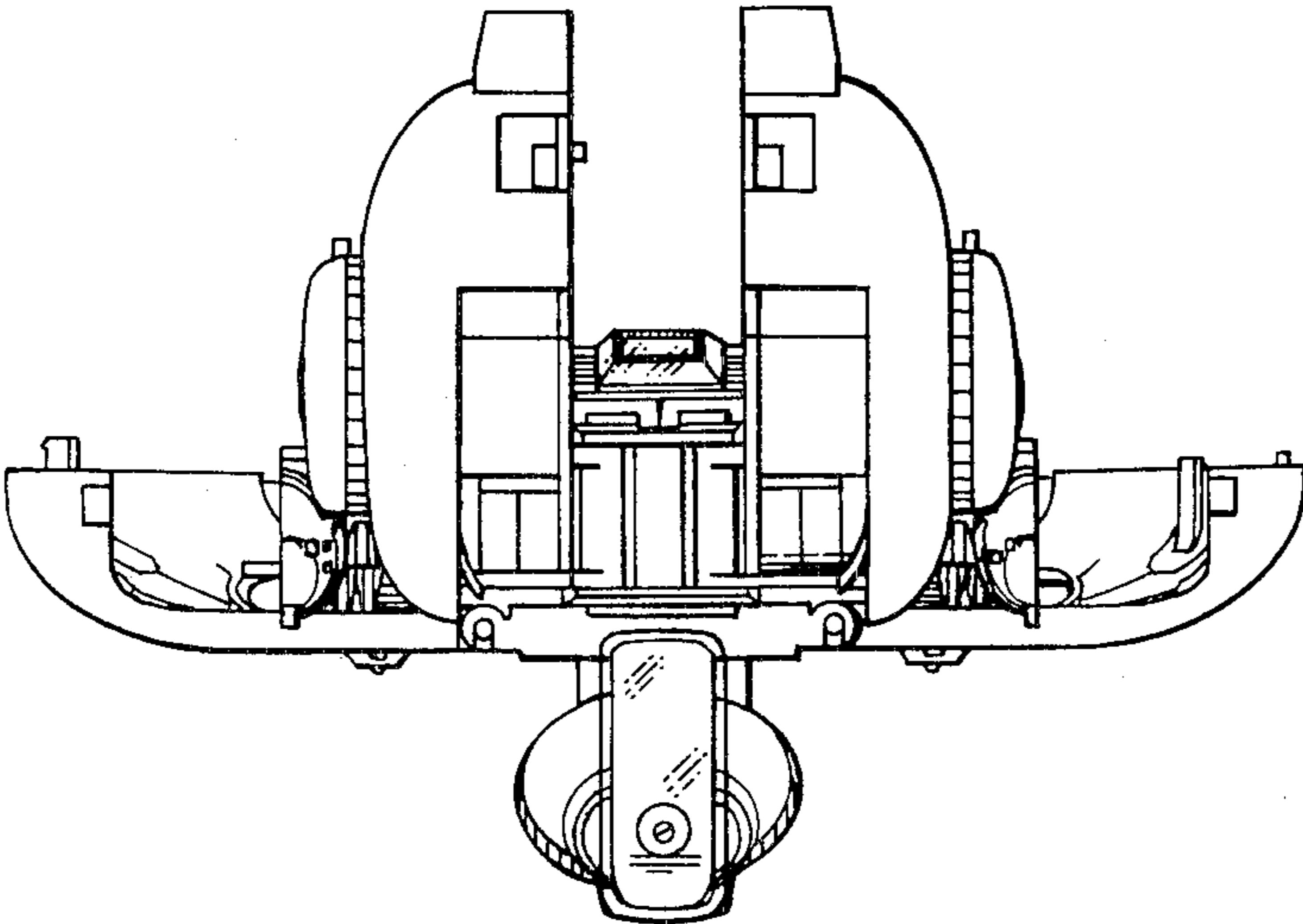


FIG. 7

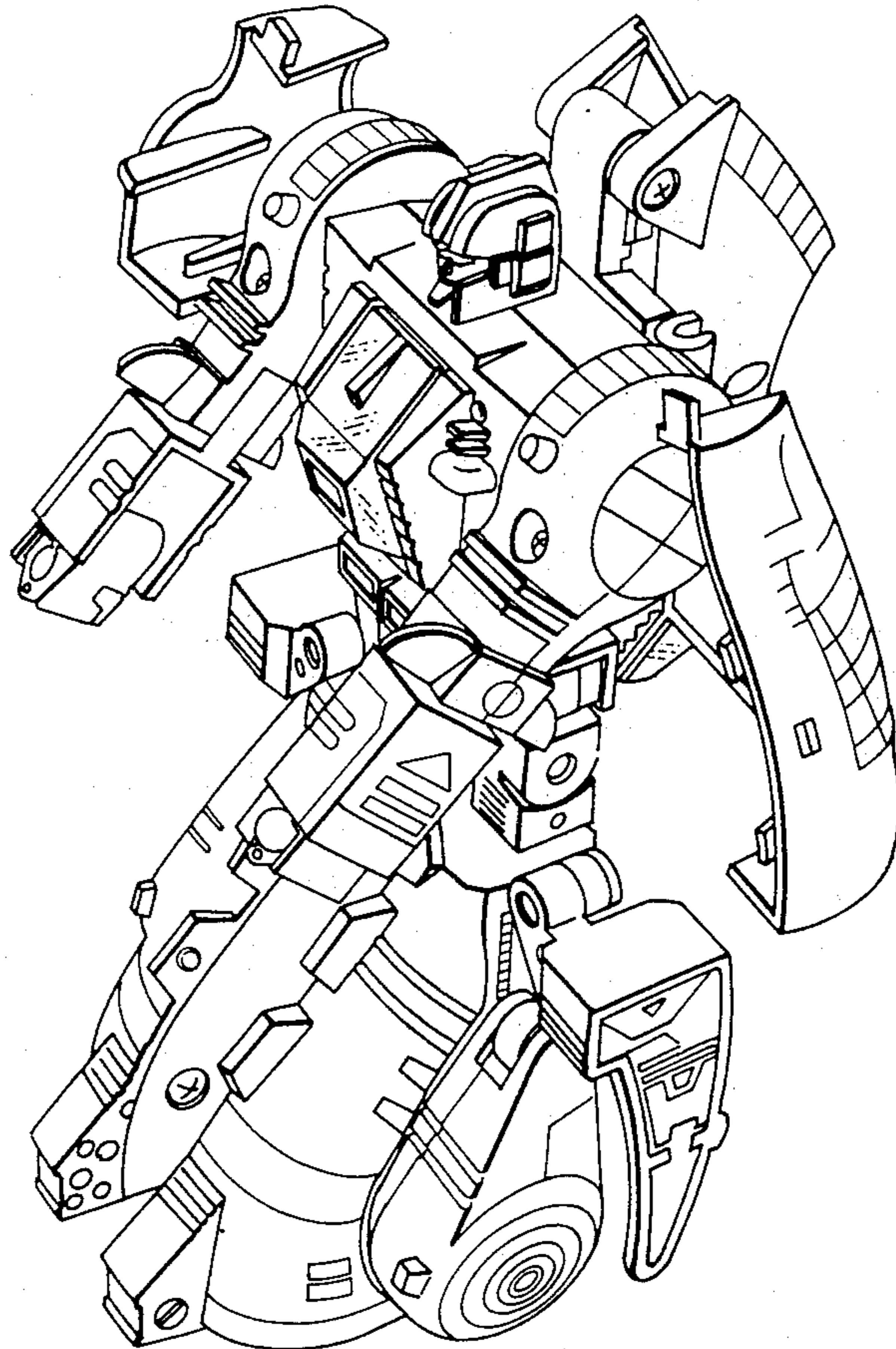


FIG. 8

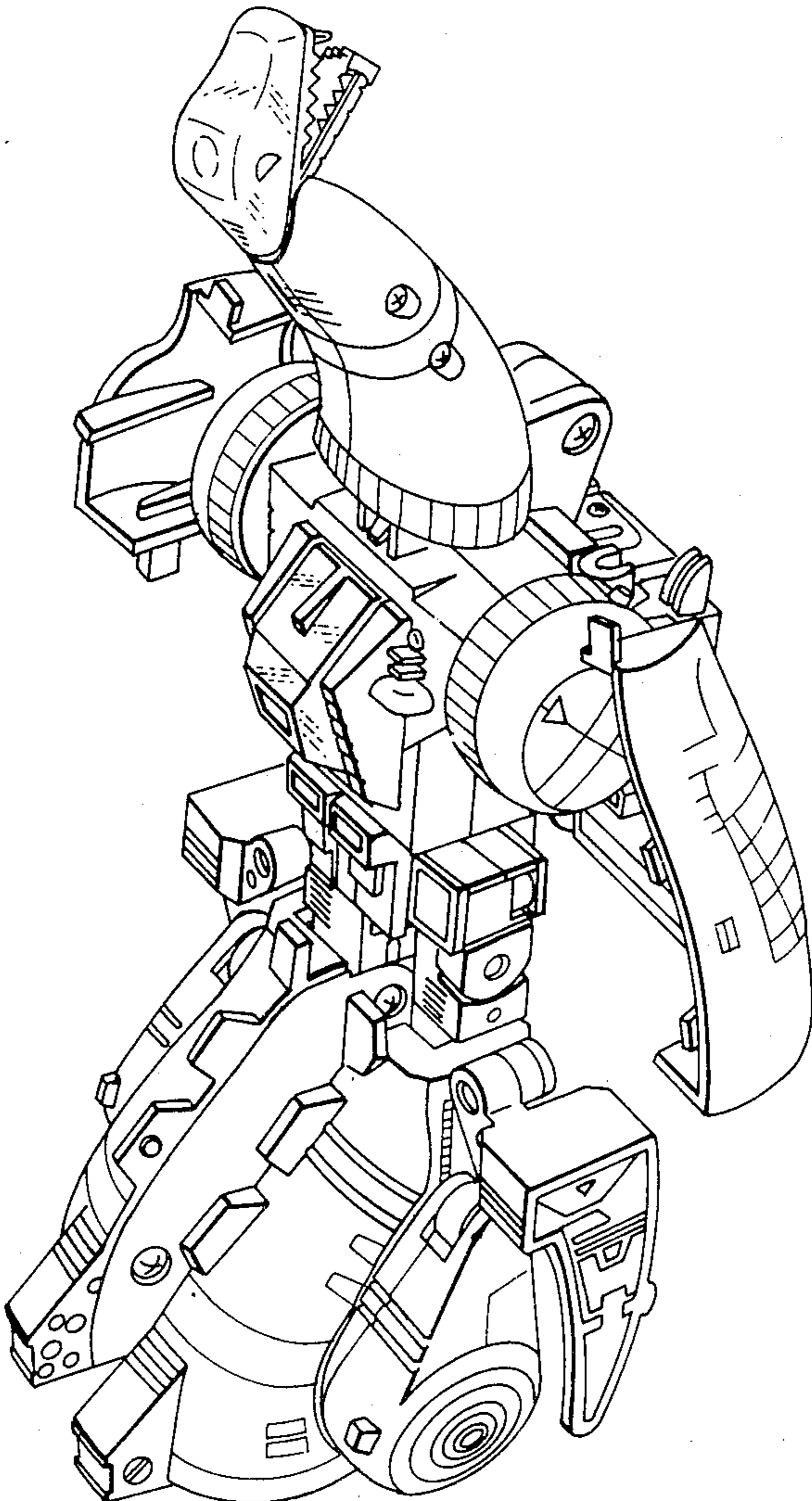


FIG. 9

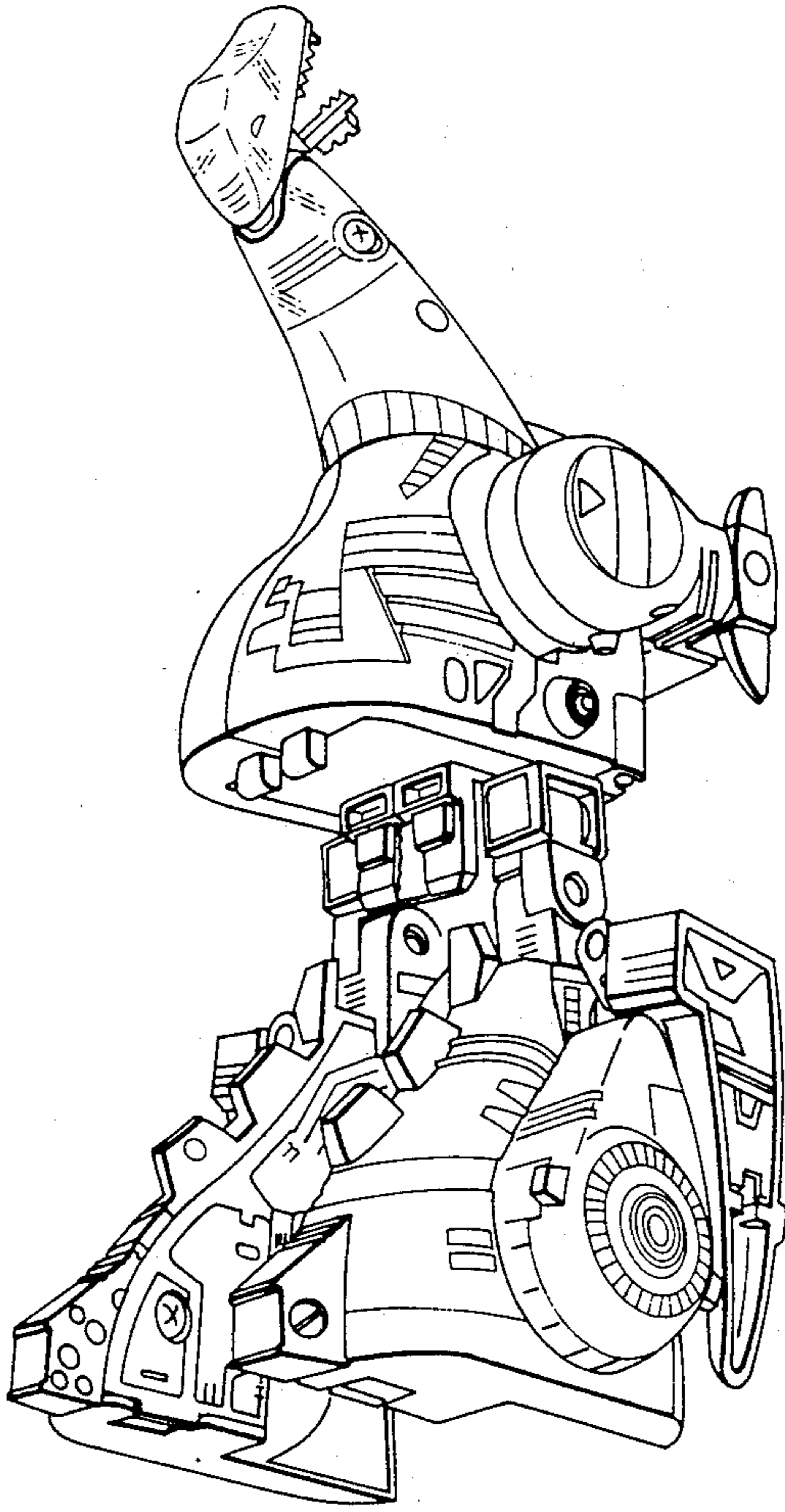


FIG.10

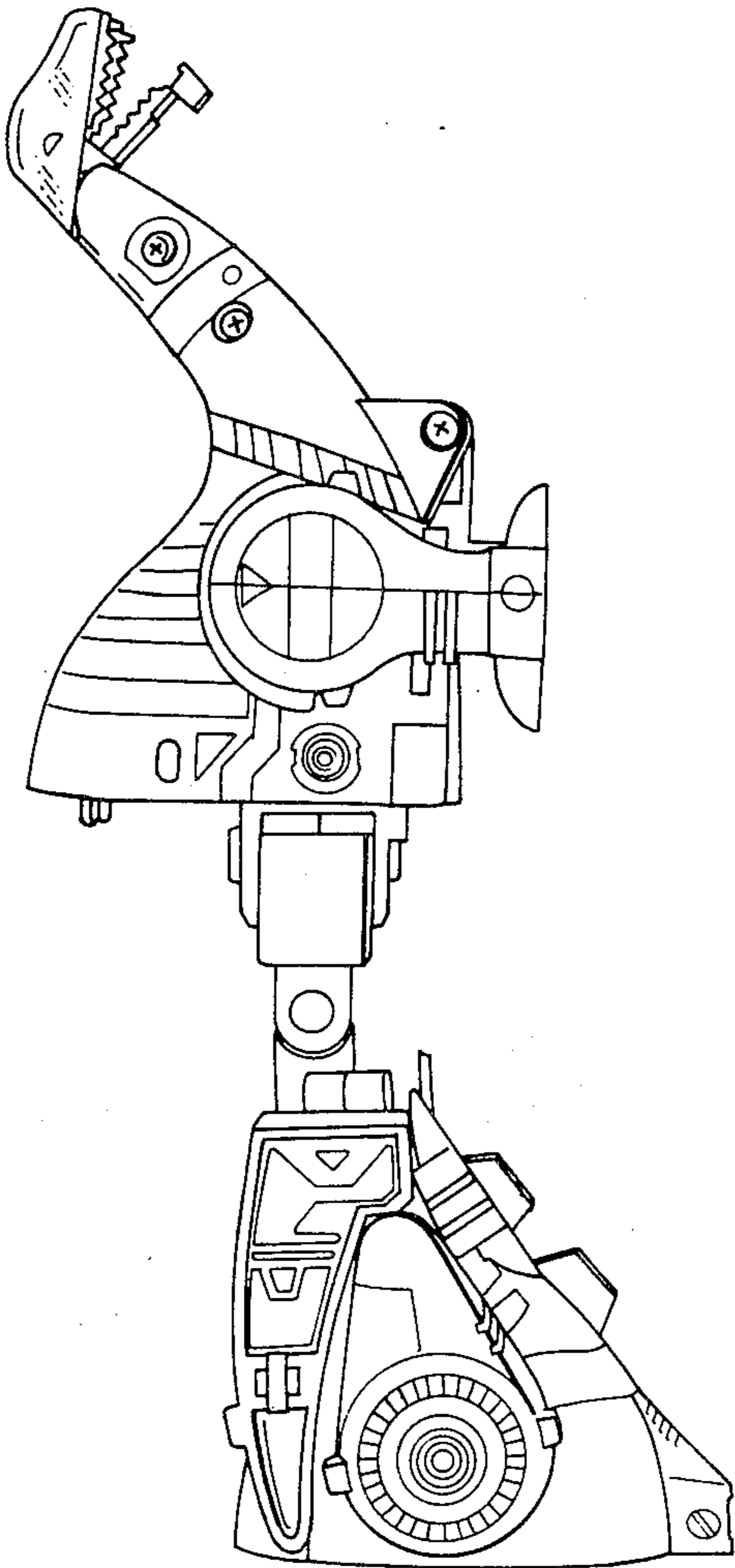


FIG. 11

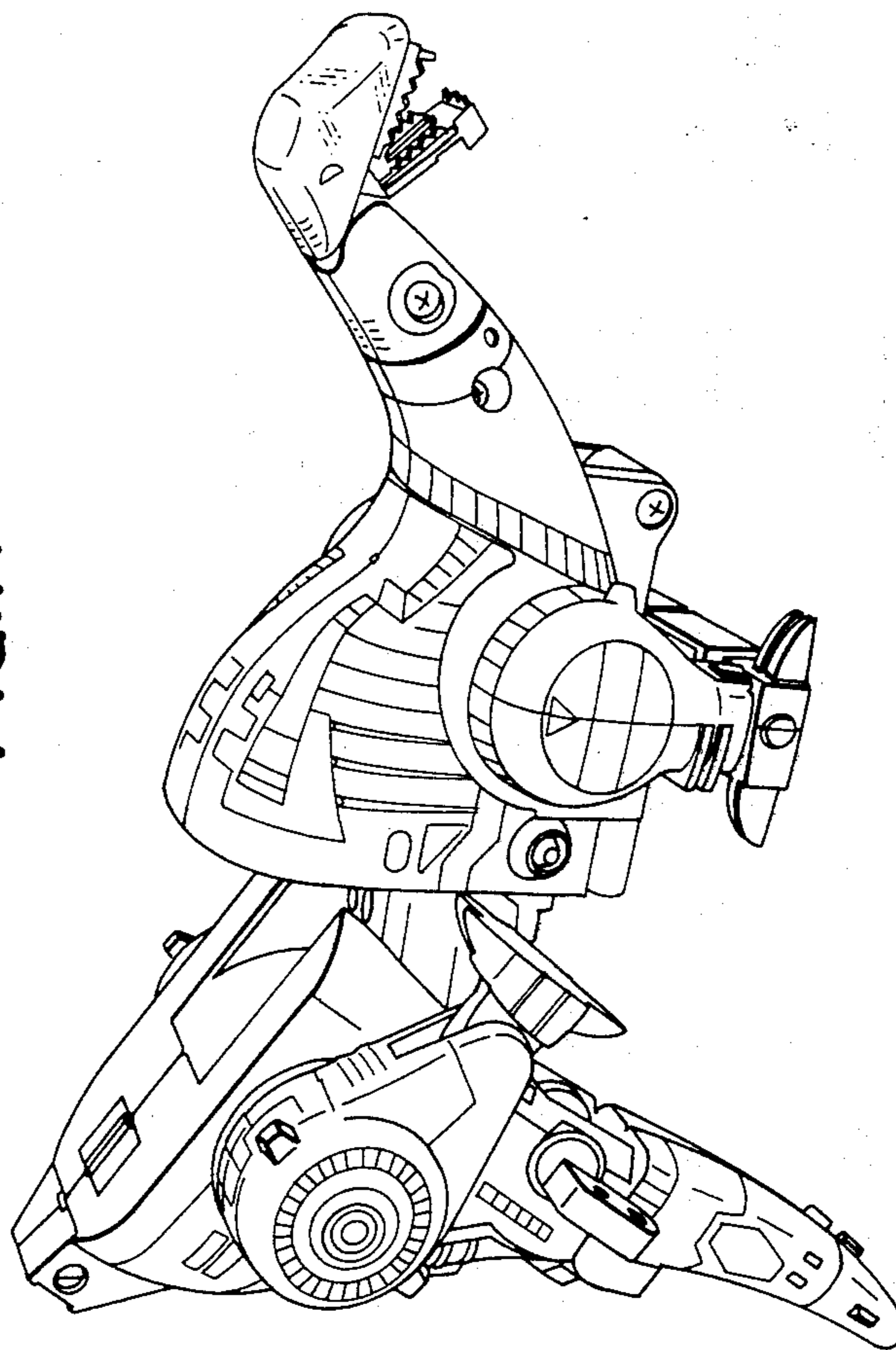


FIG.12

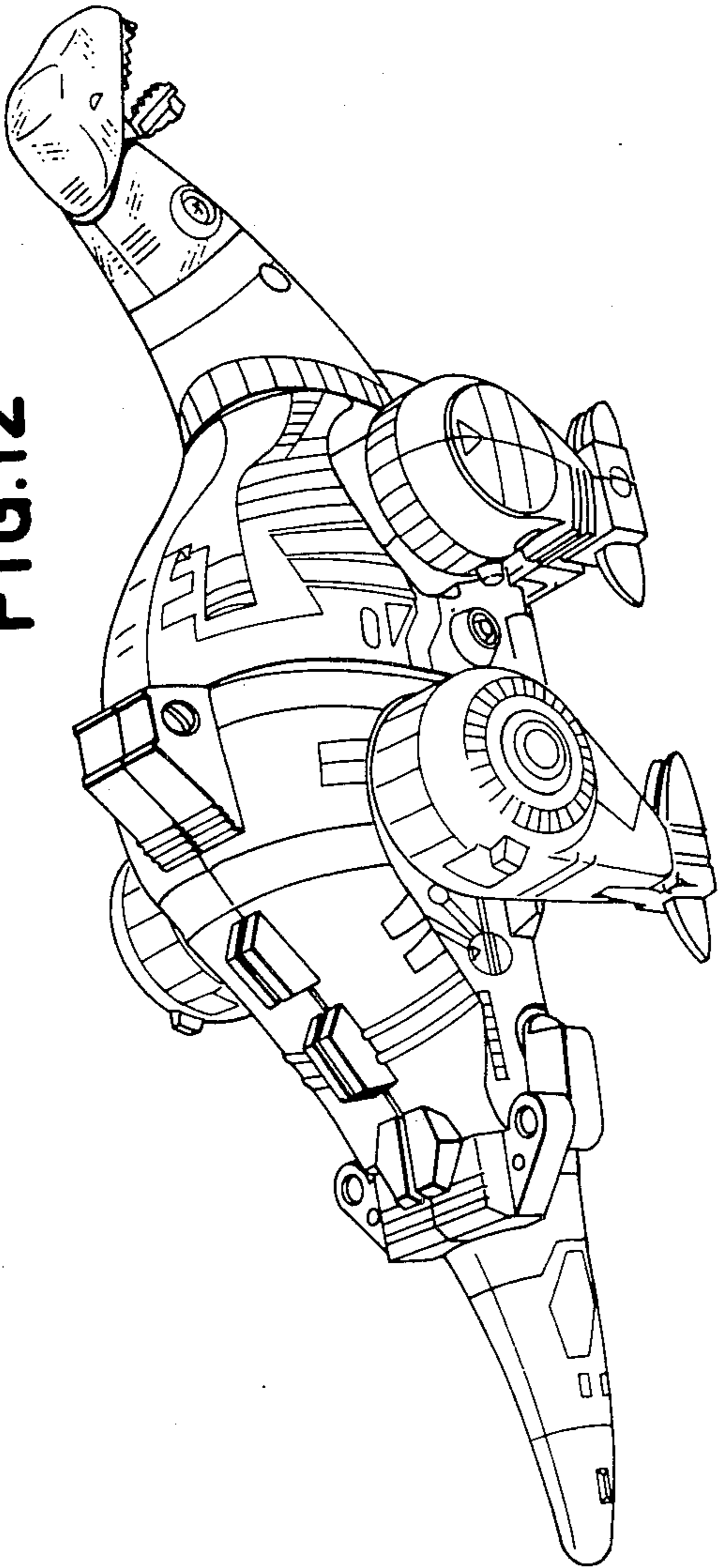


FIG.13

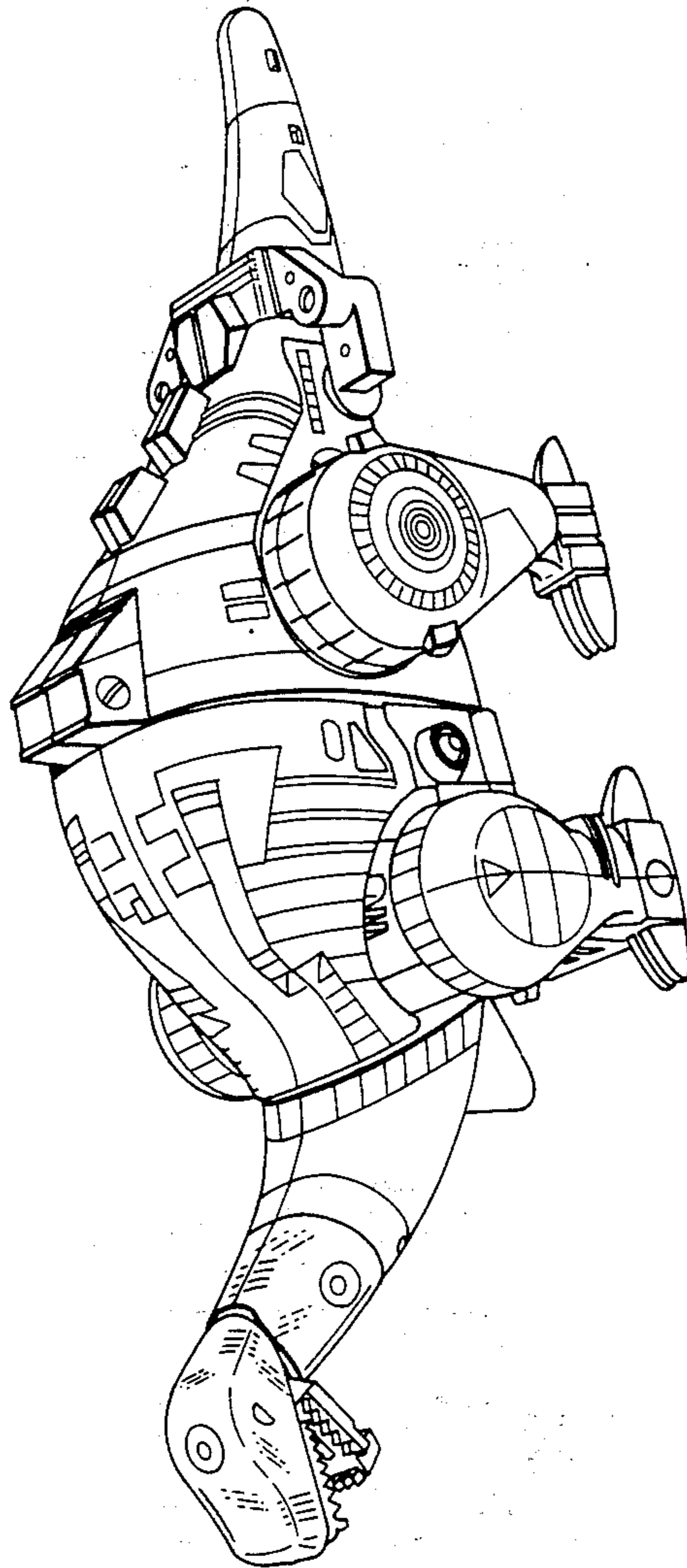


FIG.15

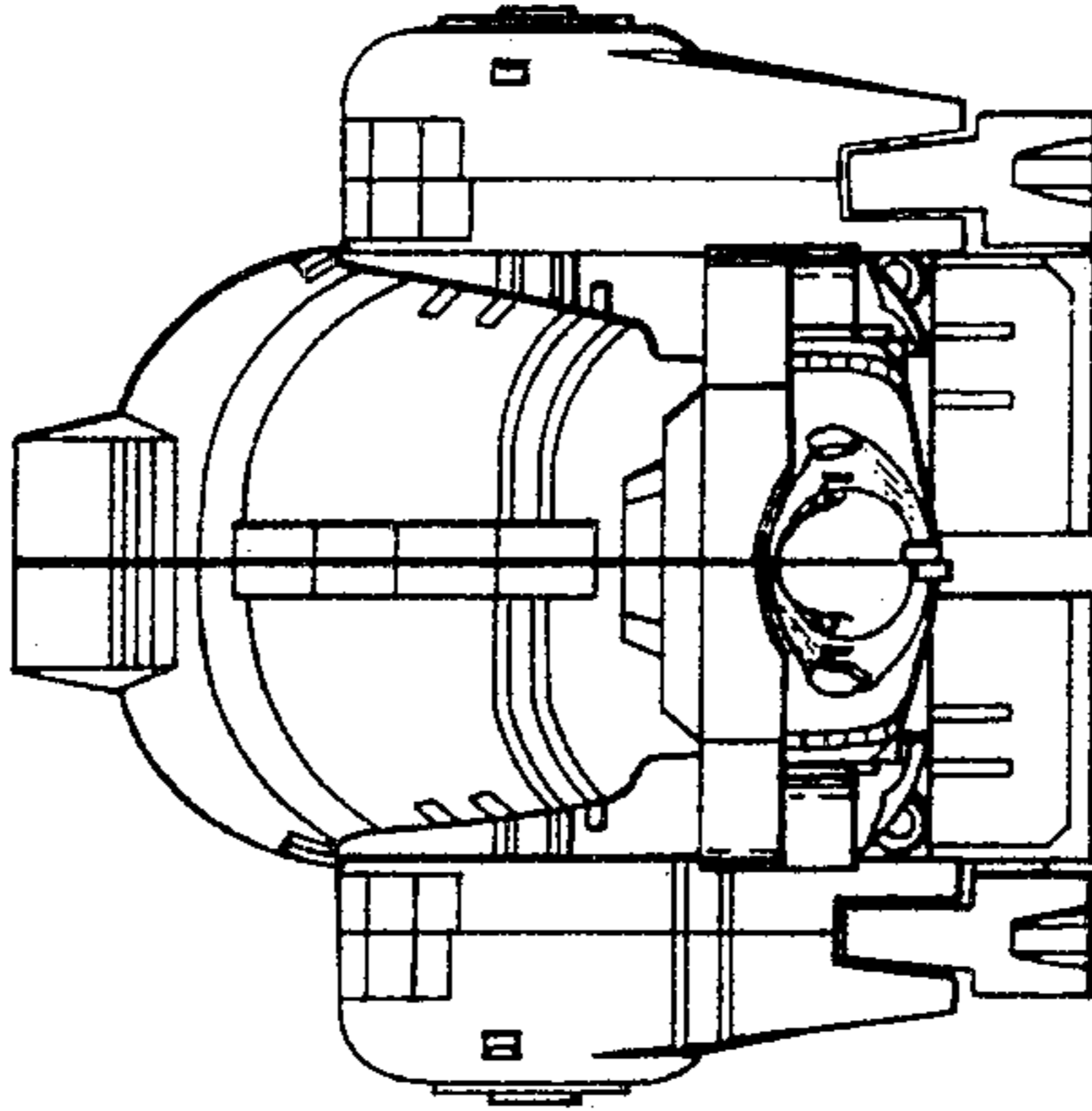


FIG.14

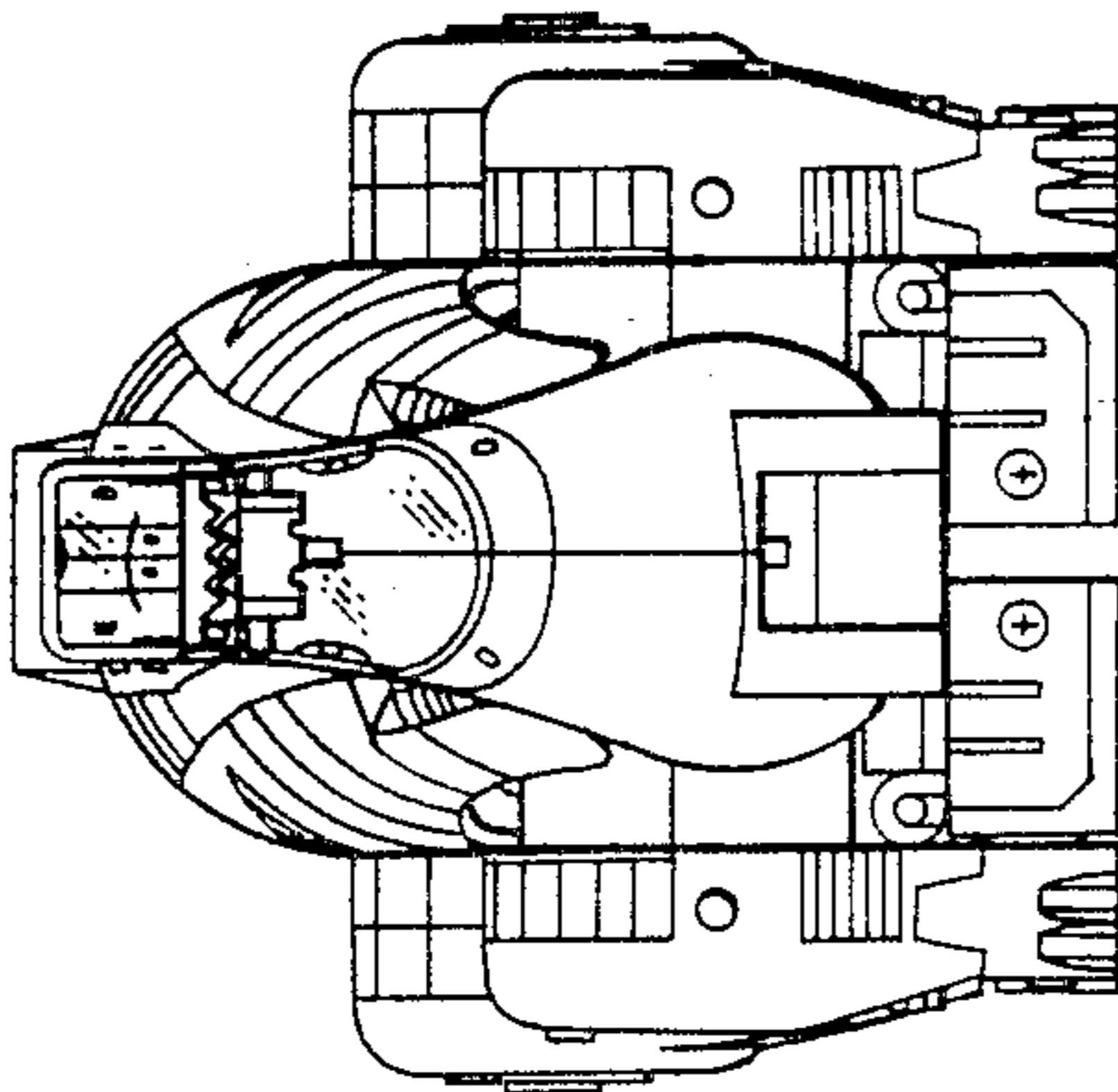


FIG.16

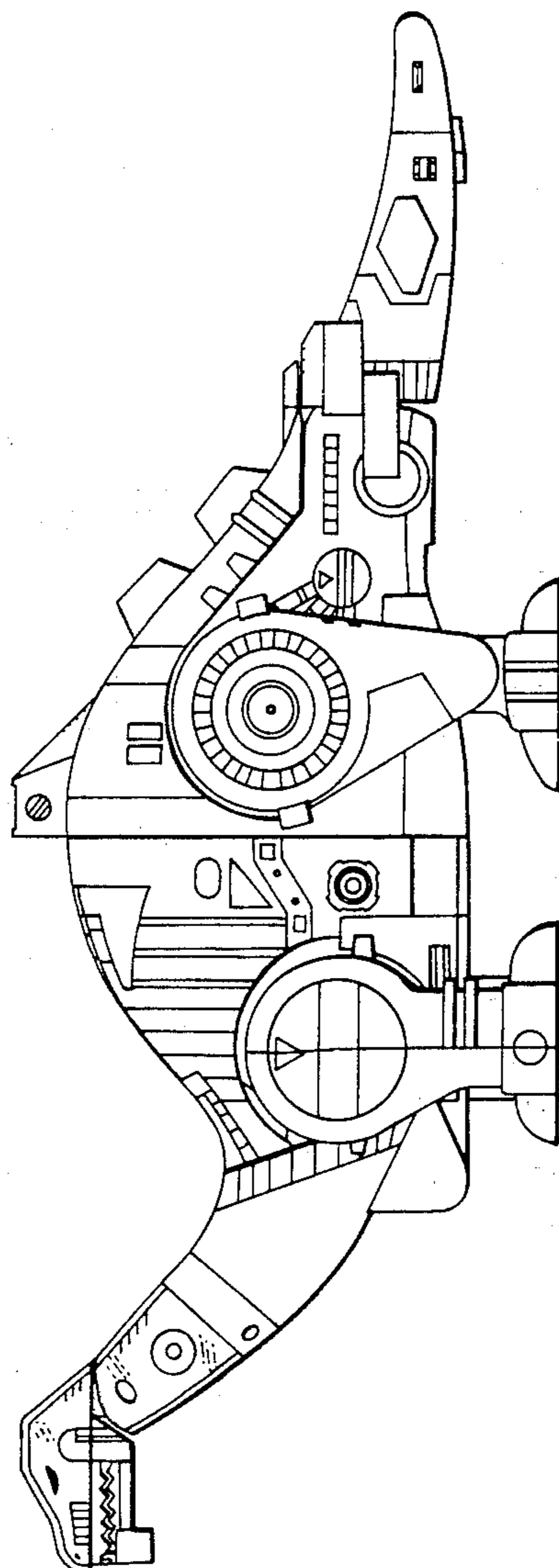


FIG.17

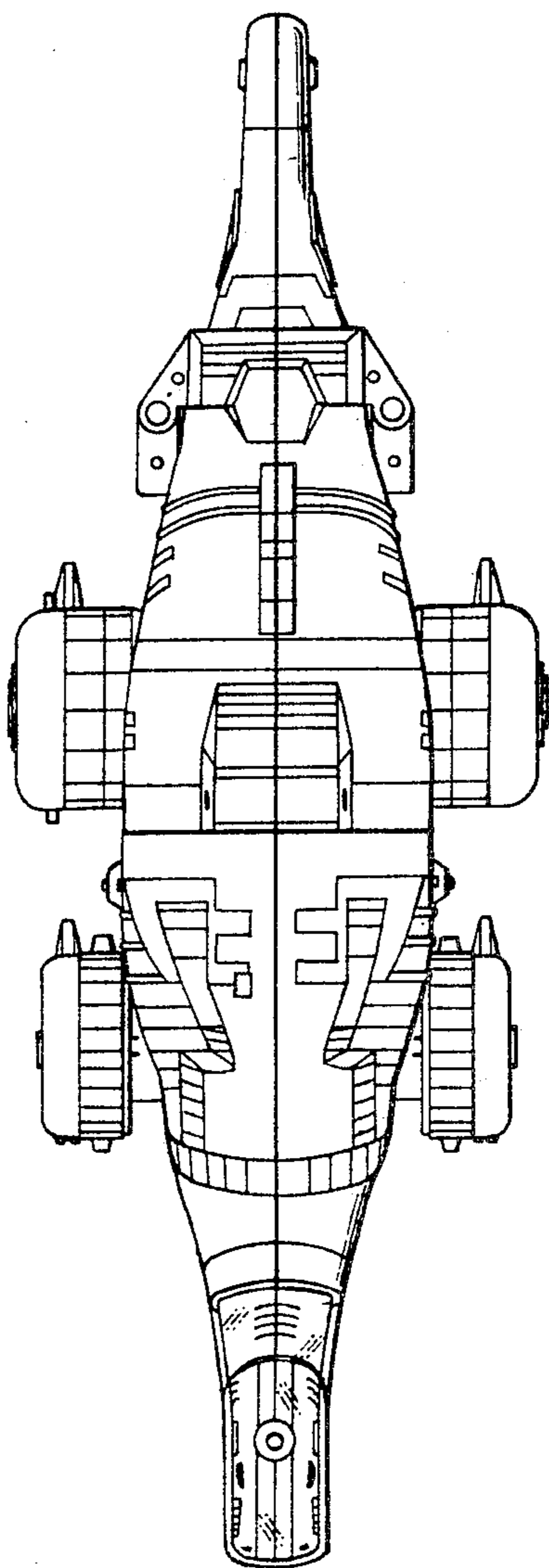
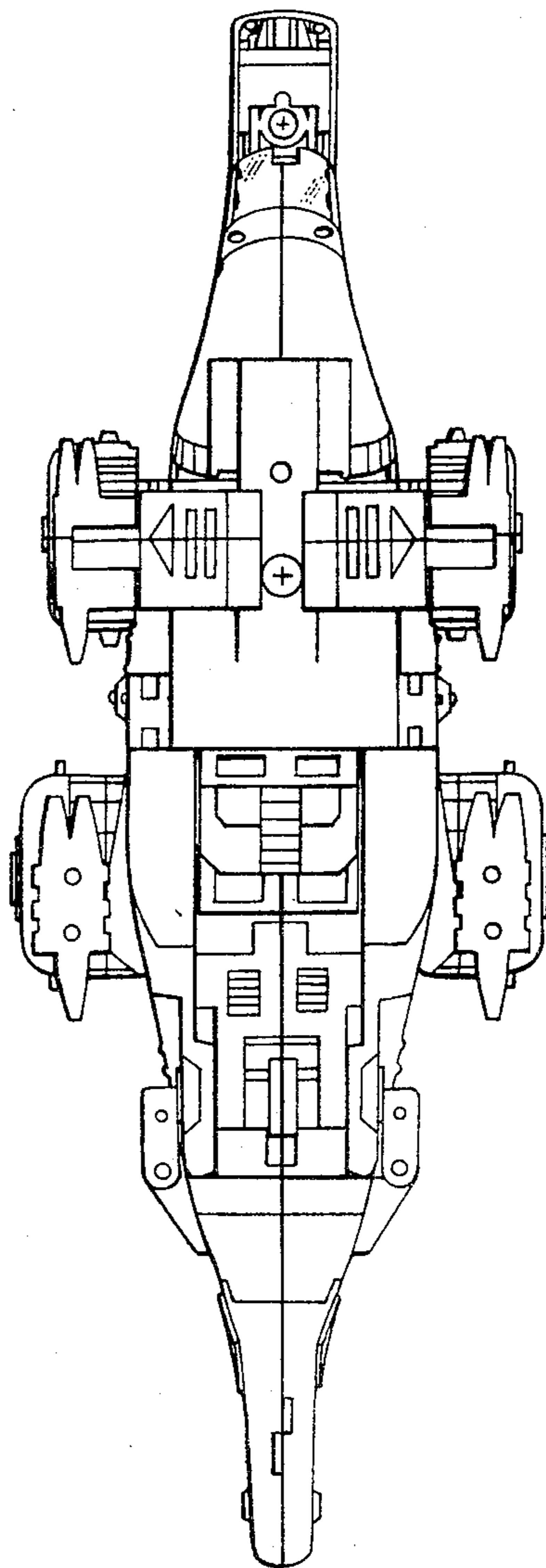


FIG.18



UNITED STATES PATENT OFFICE
CERTIFICATE OF CORRECTION

Patent No. Des. 286,420 Dated October 28, 1986

Inventor(s) Kouzin Ohno

It is certified that error appears in the above-identified patent and that said Letters Patent are hereby corrected as shown below:

In the title: delete " DINOSAURIN" and insert
--DINOSAURIAN--.

Signed and Sealed this
Twenty-seventh Day of January, 1987

Attest:

DONALD J. QUIGG

Attesting Officer

Commissioner of Patents and Trademarks