

[54] RECONFIGURABLE DINOSAURIAN TOY

[75] Inventor: Kouzin Ohno, Tokyo, Japan

[73] Assignee: Takara Co., Ltd., Tokyo, Japan

[\*\*] Term: 14 Years

[21] Appl. No.: 641,372

[22] Filed: Aug. 16, 1984

[30] Foreign Application Priority Data

May 1, 1984 [JP] Japan ..... 59-17944

[52] U.S. Cl. .... D21/148; D21/150;  
D21/160

[58] Field of Search ..... D21/148, 150, 160;  
446/97, 99, 321, 376, 487

[56] References Cited

U.S. PATENT DOCUMENTS

D. 283,335 4/1986 Matsuda ..... D21/150  
4,391,060 7/1983 Nakane ..... 446/97

OTHER PUBLICATIONS

Toys and Novelties, Mar. 1963, p. 230, center, Pteranodon.

Primary Examiner—Melvin B. Feifer  
Attorney, Agent, or Firm—Price, Gess & Ubell

CLAIM

The ornamental design for a reconfigurable dinosaurian toy, substantially as shown and described.

DESCRIPTION

FIG. 1 is a front side perspective view of a reconfigurable dinosaurian toy showing my new design in a dinosaurian configuration;

FIG. 2 is a front elevational view;

FIG. 3 is a top plan view;

FIG. 4 is a bottom plan view;

FIG. 5 is a rear elevational view;

FIG. 6 is a right elevational side view which is a mirror image of the left elevational side view;

FIG. 7 is a front side perspective view of the embodiment of FIG. 1 in a standing position with wheel parts and neck portion folded;

FIG. 8 is a front side perspective view of the design reconfigured in the form of a humanoid robot;

FIG. 9 is a front elevational view of the embodiment of FIG. 8;

FIG. 10 is a top plan view of the embodiment of FIG. 8;

FIG. 11 is a bottom plan view of the embodiment of FIG. 8;

FIG. 12 is a rear elevational view of the embodiment of FIG. 8; and

FIG. 13 is a right elevational side view which is a mirror image of the left elevational side view of the embodiment of FIG. 8.

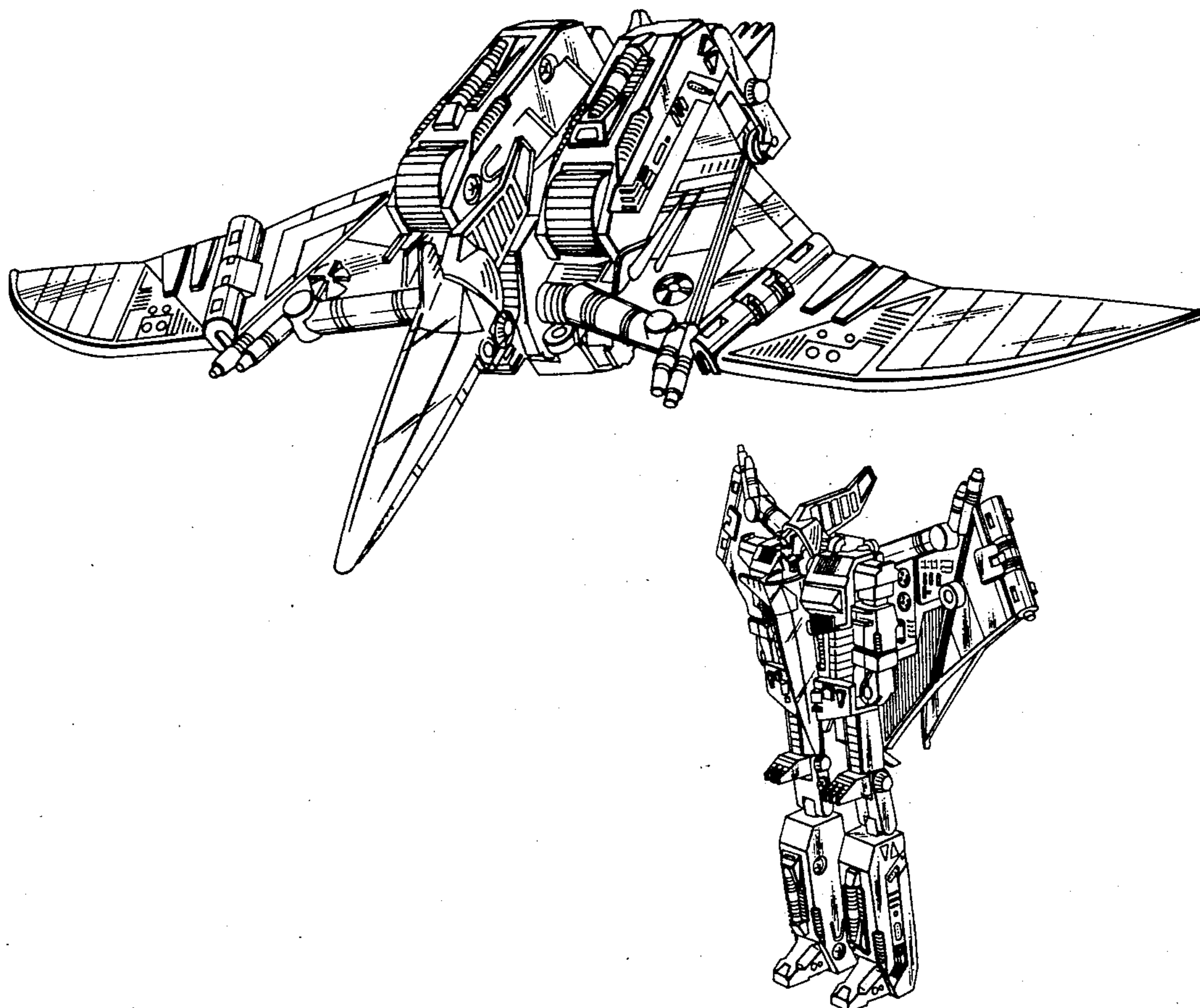


FIG.1

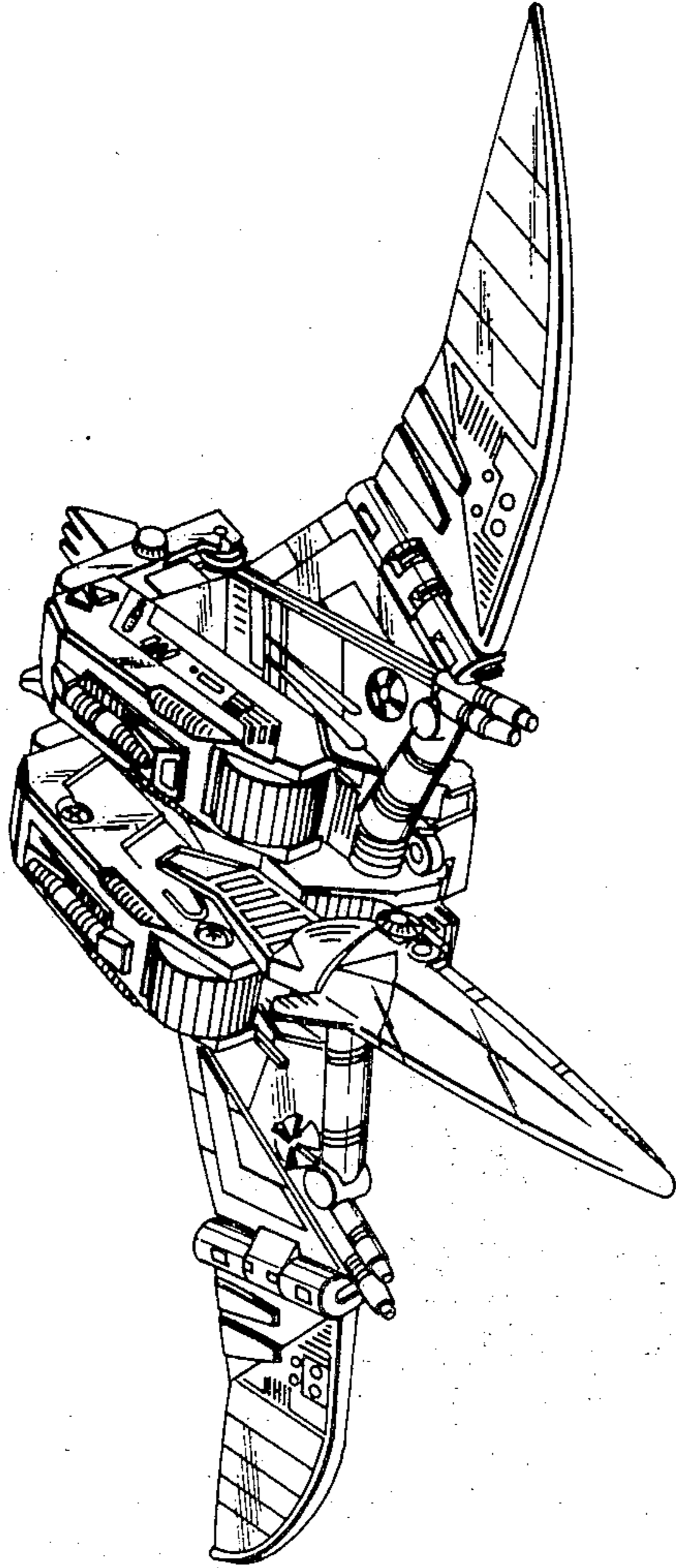


FIG.2

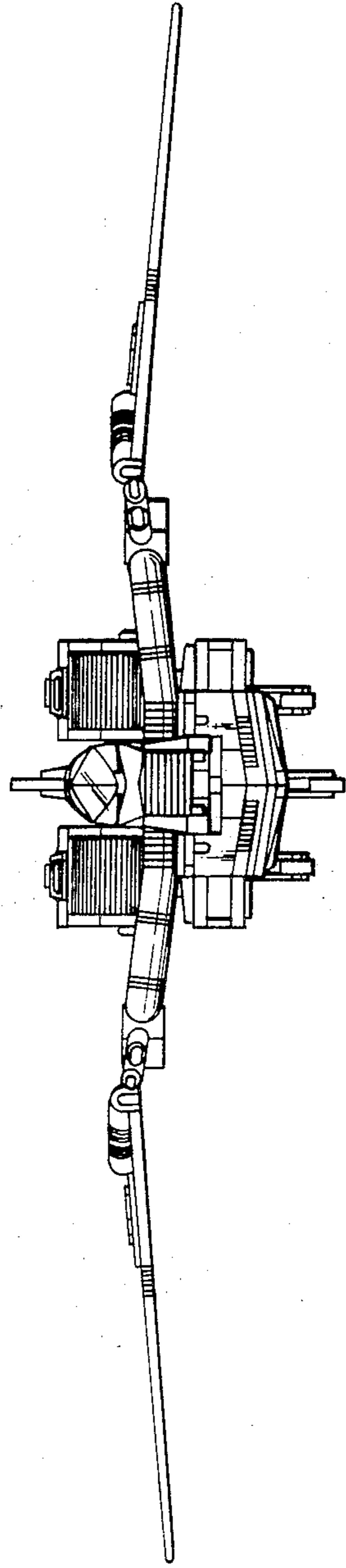
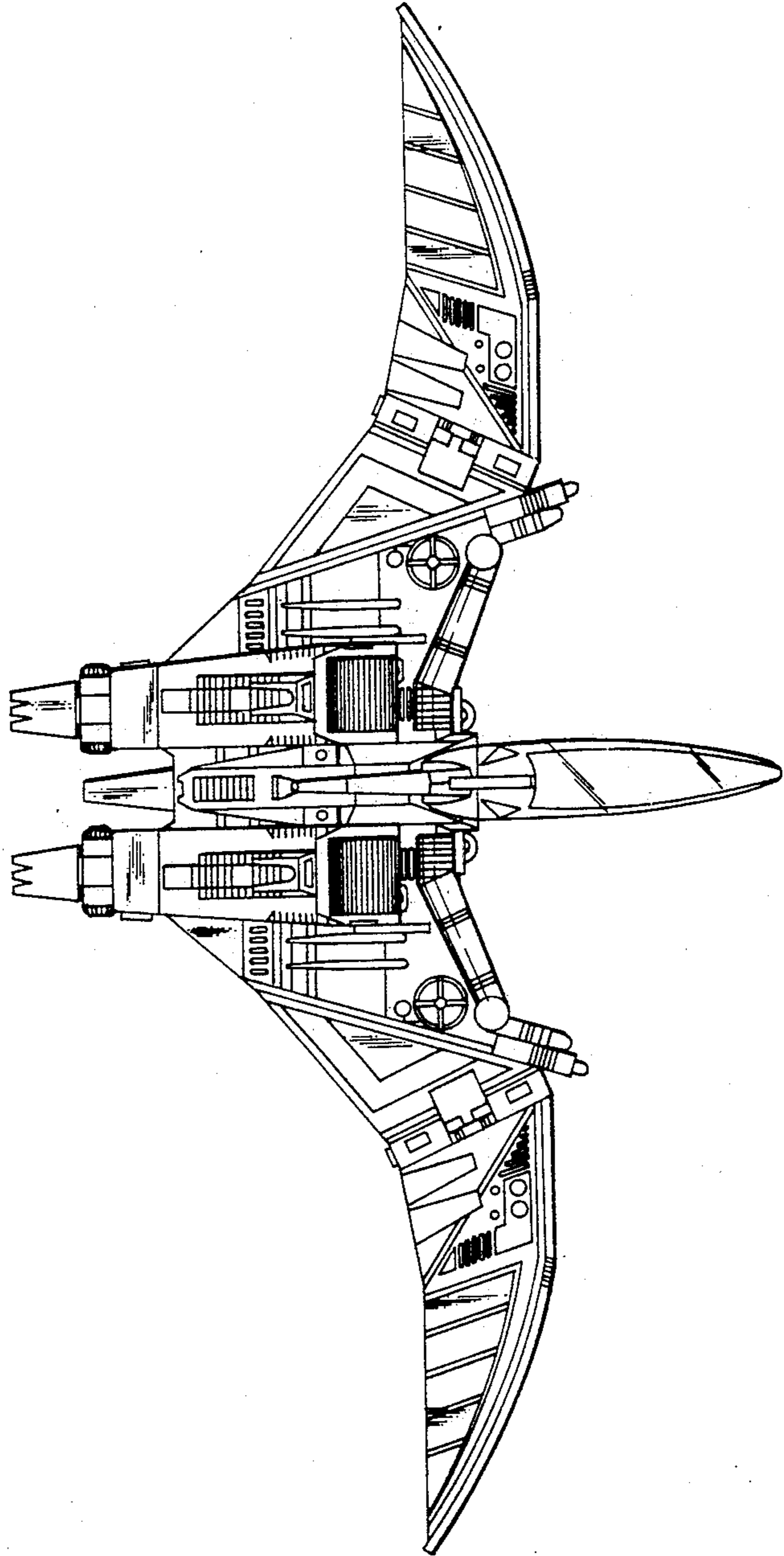


FIG. 3



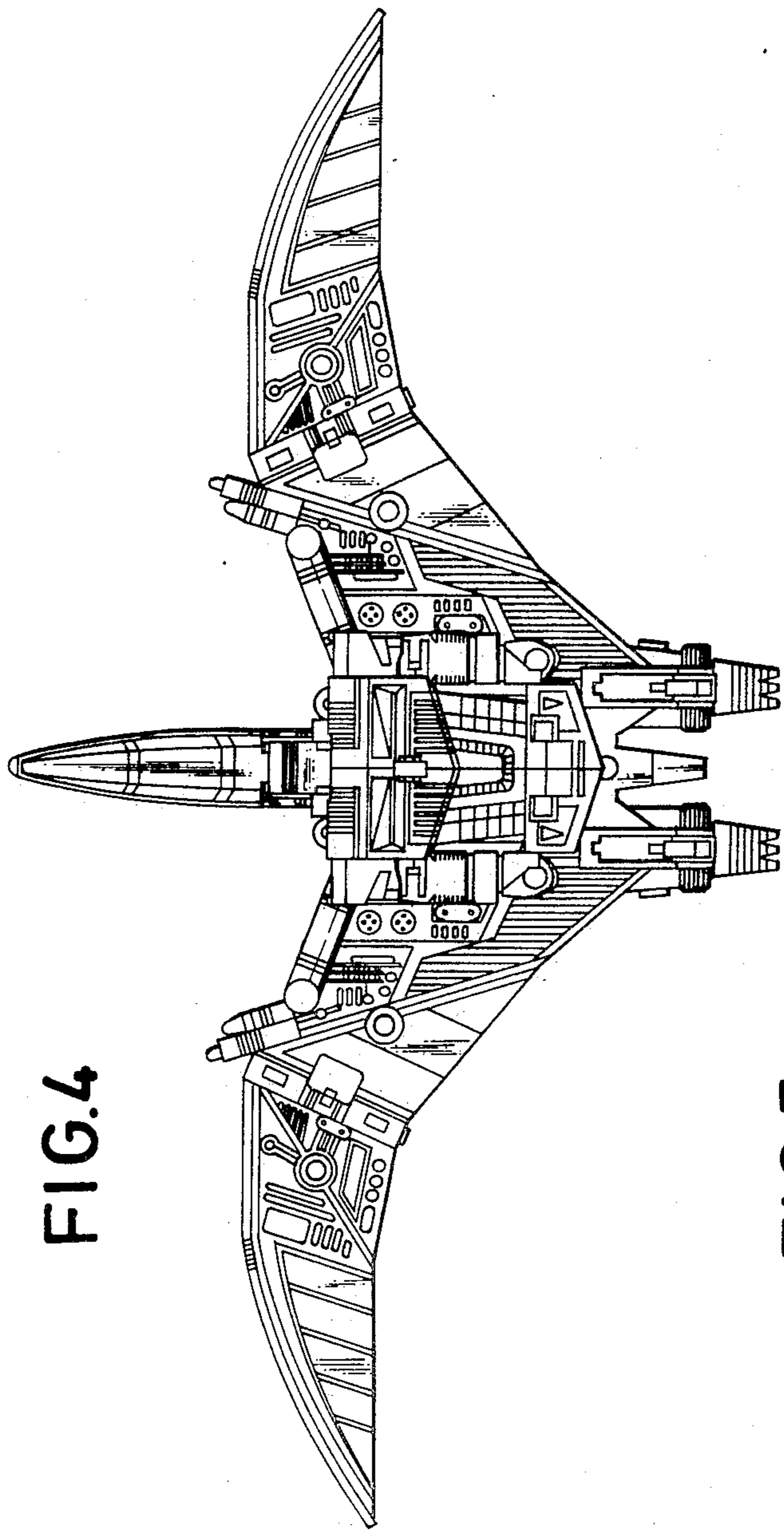


FIG. 4

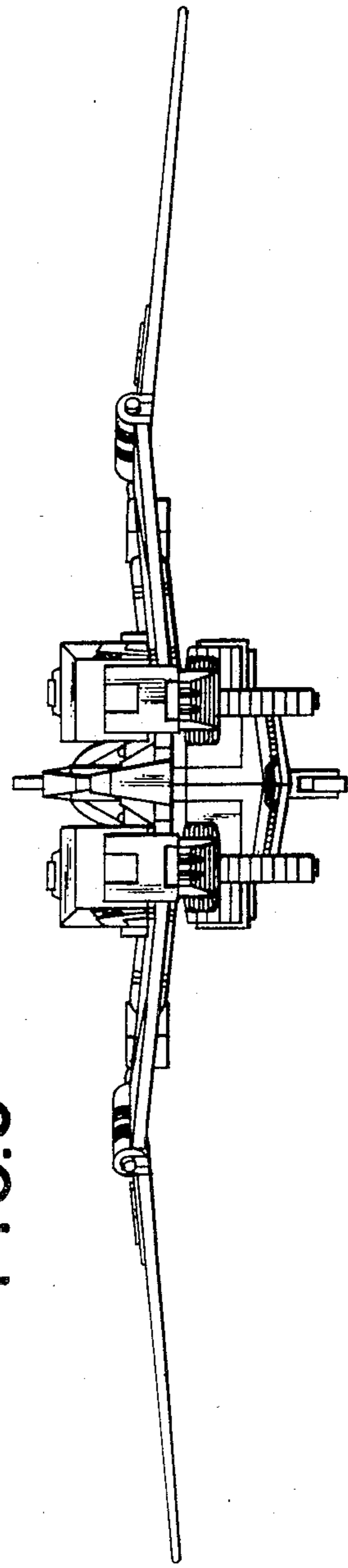


FIG. 5

FIG.6

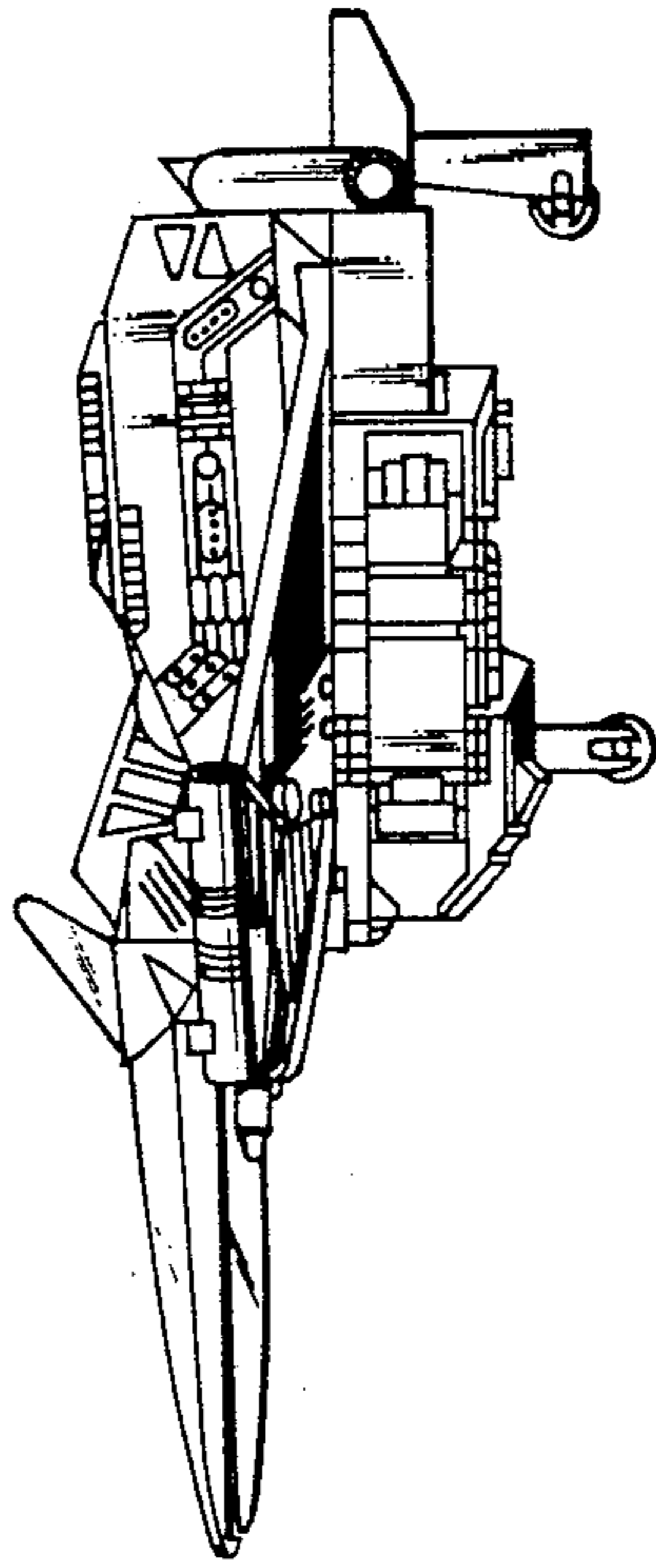


FIG.7

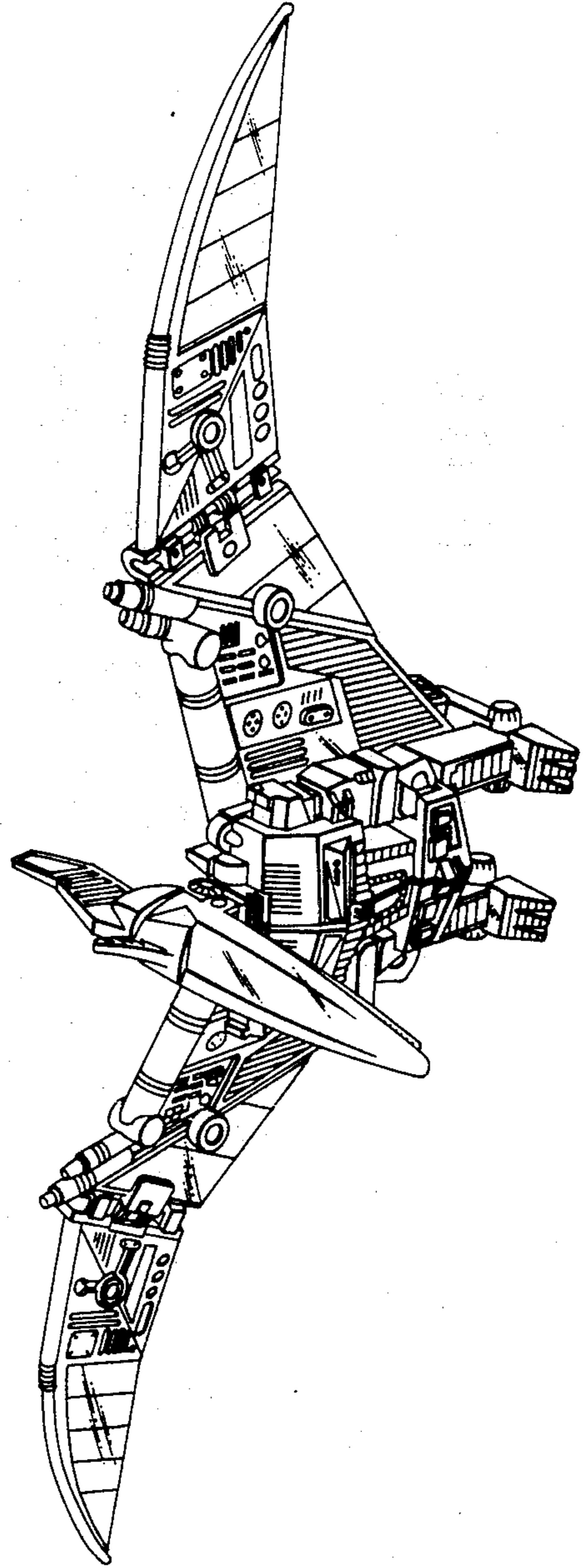


FIG.9

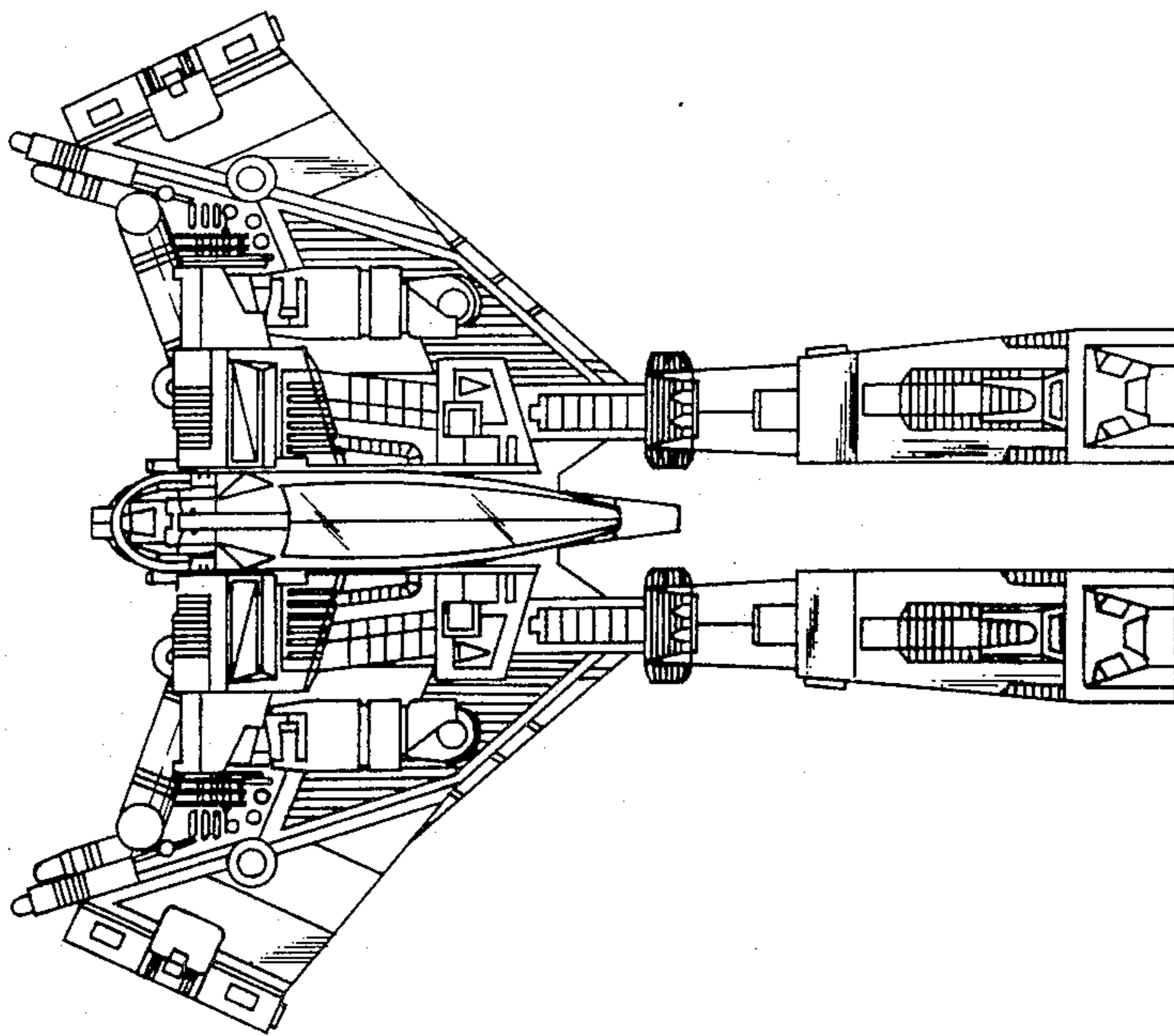


FIG.8

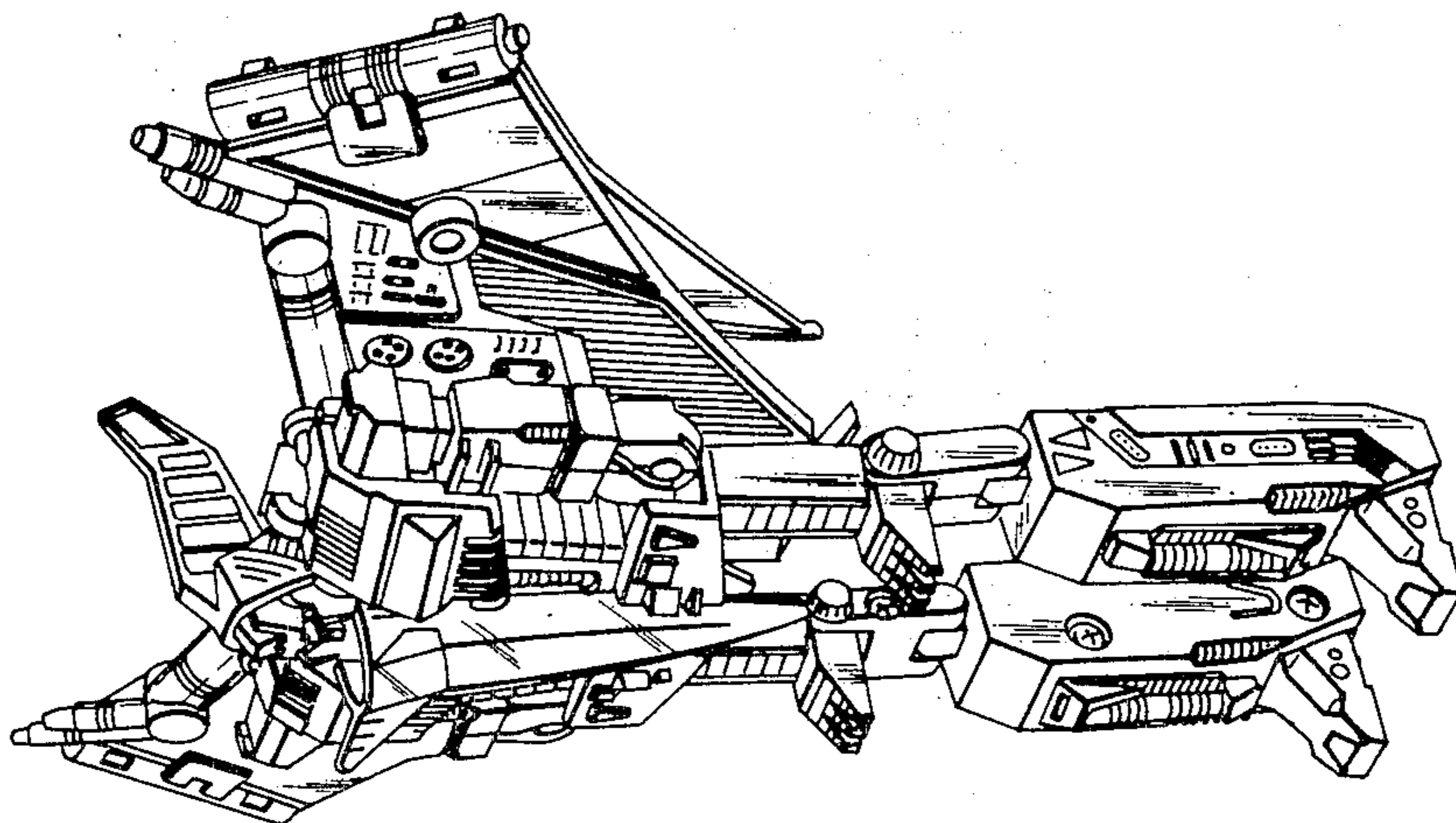


FIG. 10

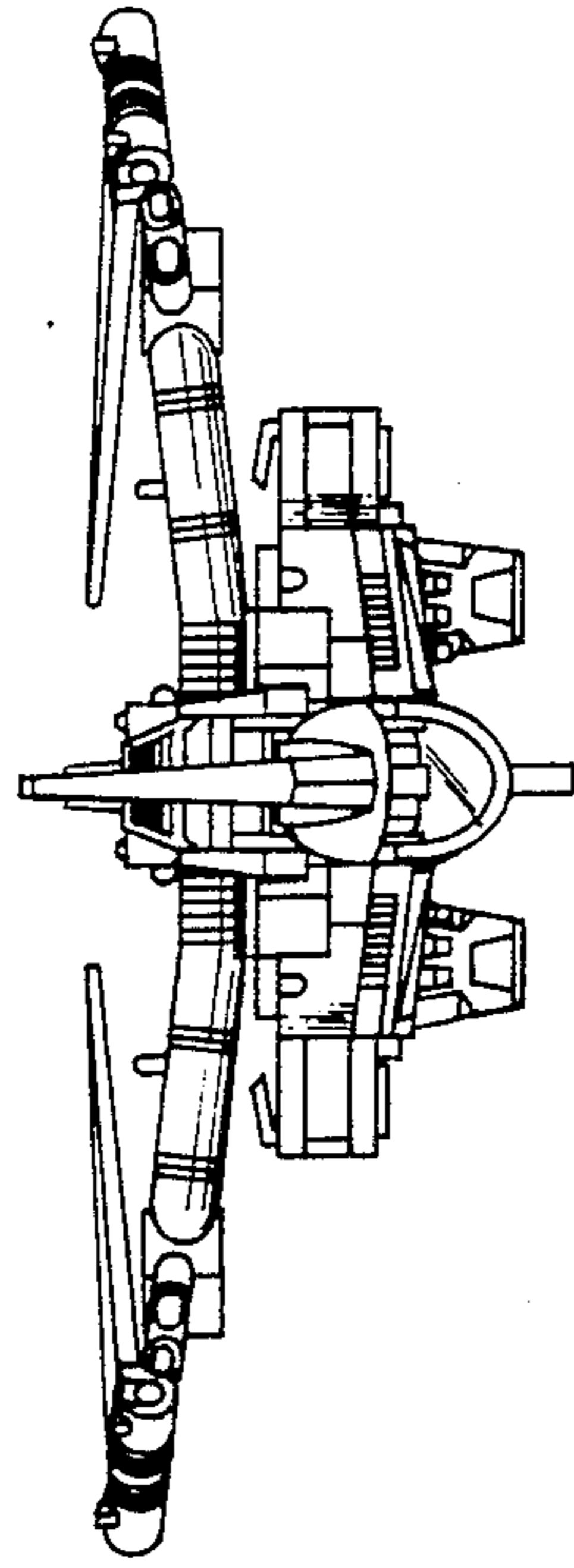


FIG. 11

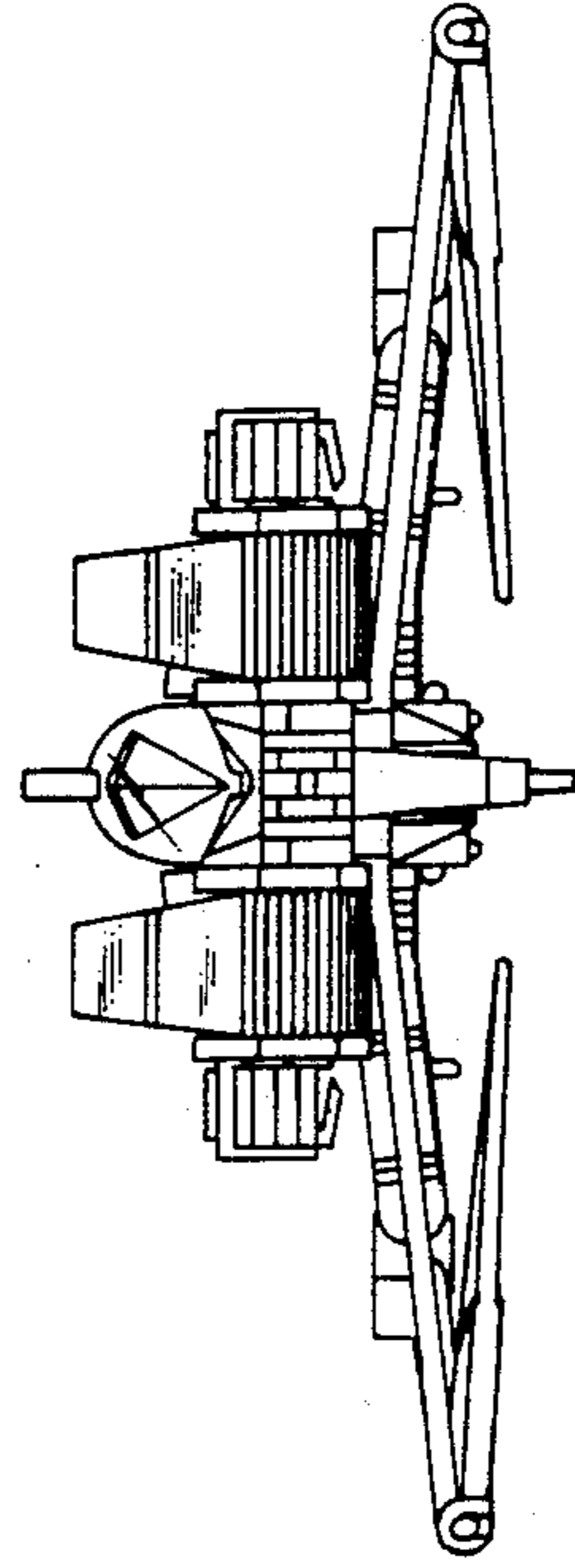


FIG.13

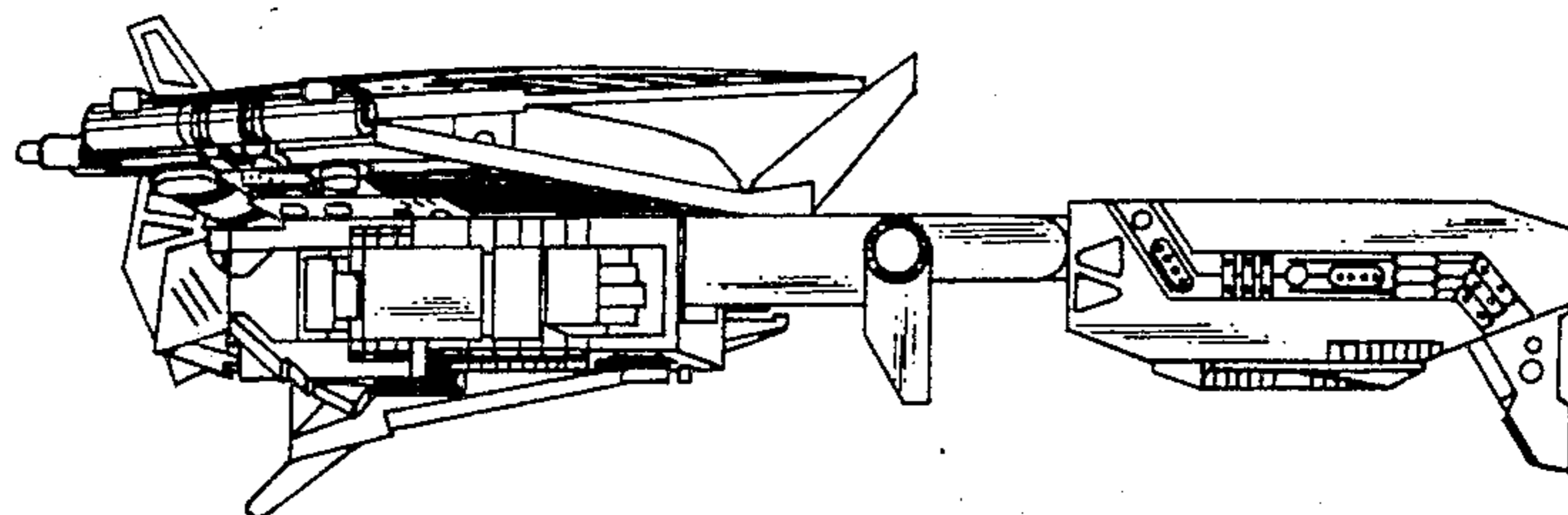


FIG.12

