

[54] PAPER FEEDER FOR ELECTRONIC COPYING MACHINE

[75] Inventor: Kunio Hara, Chiba, Japan

[73] Assignee: Kabushiki Kaisha Toshiba, Japan

[\*\*] Term: 14 Years

[21] Appl. No.: 622,150

[22] Filed: Jun. 19, 1984

[30] Foreign Application Priority Data

Dec. 20, 1983 [JP] Japan ..... 58-54569

[52] U.S. Cl. .... D16/32; D14/110

[58] Field of Search ..... D16/27-32; D14/110; 355/3 SH, 3 R, 14 SH; 271/9, 147, 292-293, 3, 3.1, 4, 171, 273-274, 280-281, 305

[56] References Cited

U.S. PATENT DOCUMENTS

- D. 227,034 5/1973 Derby ..... D16/27
- D. 268,269 3/1983 Imada ..... D16/32
- D. 276,341 11/1984 Nishida ..... D14/110
- D. 276,530 11/1984 Horie ..... D16/32
- D. 281,699 12/1985 Fukuda ..... D16/32

- 4,249,819 2/1981 Boser ..... 271/147 X
- 4,332,375 6/1982 Tsubo ..... 271/9

OTHER PUBLICATIONS

Catalogue of U-Bix 2500MR.  
Catalogue of Canon NP500RE.

Primary Examiner—Nelson C. Holtje  
Attorney, Agent, or Firm—Finnegan, Henderson, Farabow, Garrett & Dunner

[57] CLAIM

The ornamental design for a paper feeder for electronic copying machine, substantially as shown.

DESCRIPTION

FIG. 1 is a front, top and right side perspective view of a paper feeder for electronic copying machine showing my new design;

FIG. 2 is a perspective view like FIG. 1 with the cover opened;

FIG. 3 is a front elevational view thereof;

FIG. 4 is a top plan view thereof;

FIG. 5 is a right side elevational view thereof;

FIG. 6 is a rear elevational view thereof; and

FIG. 7 is a left side elevational view thereof.

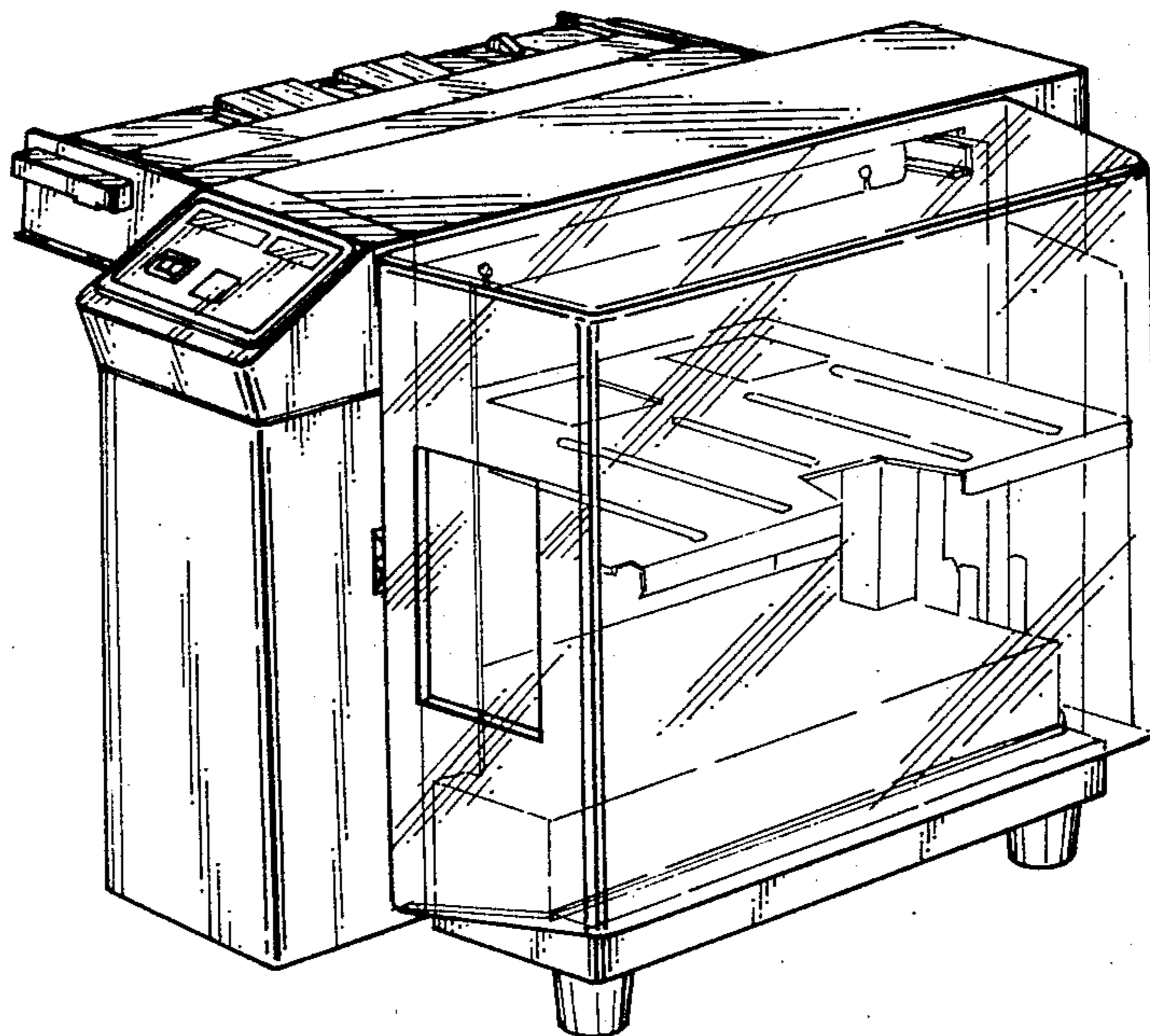


FIG. 1

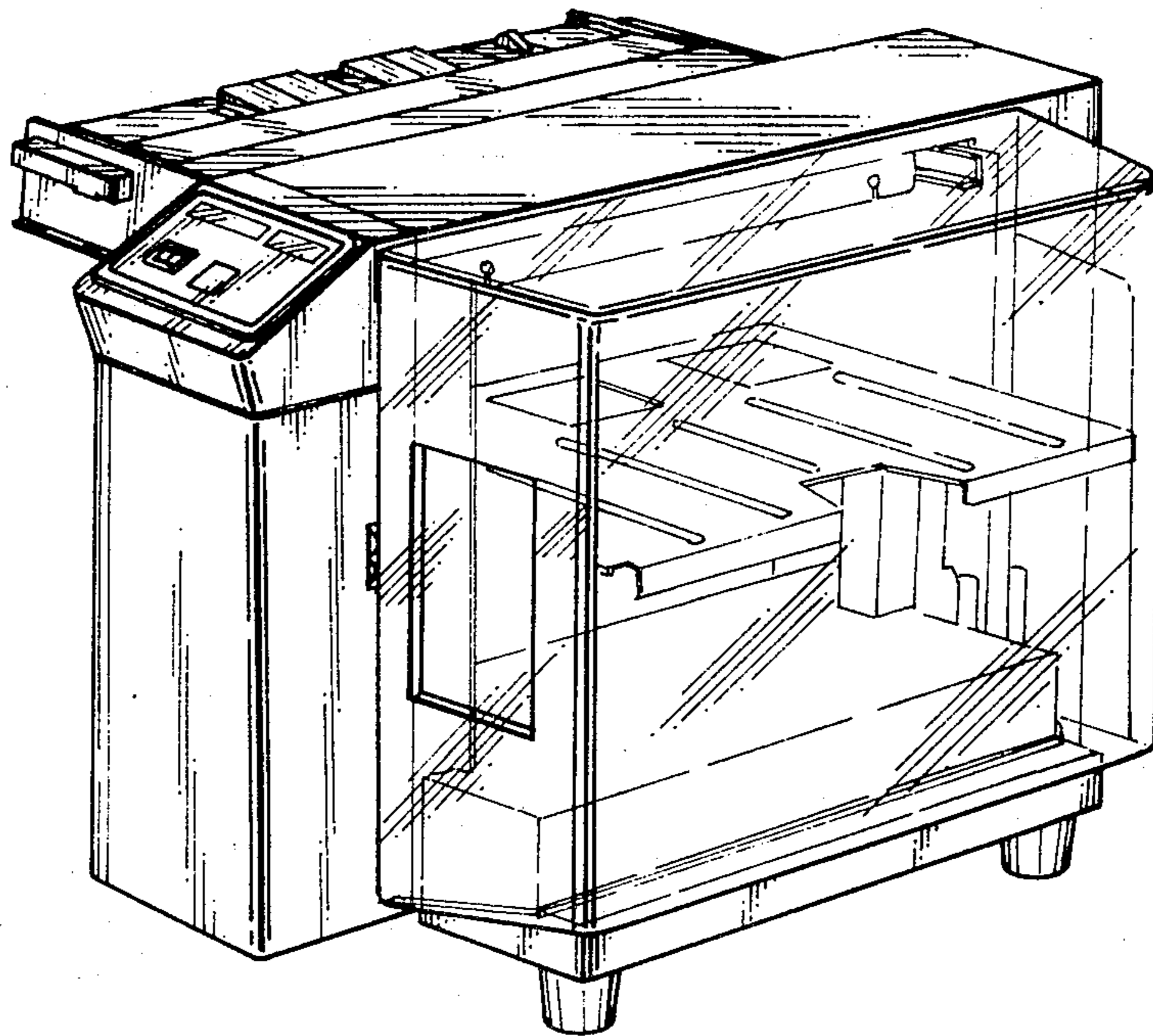


FIG. 2

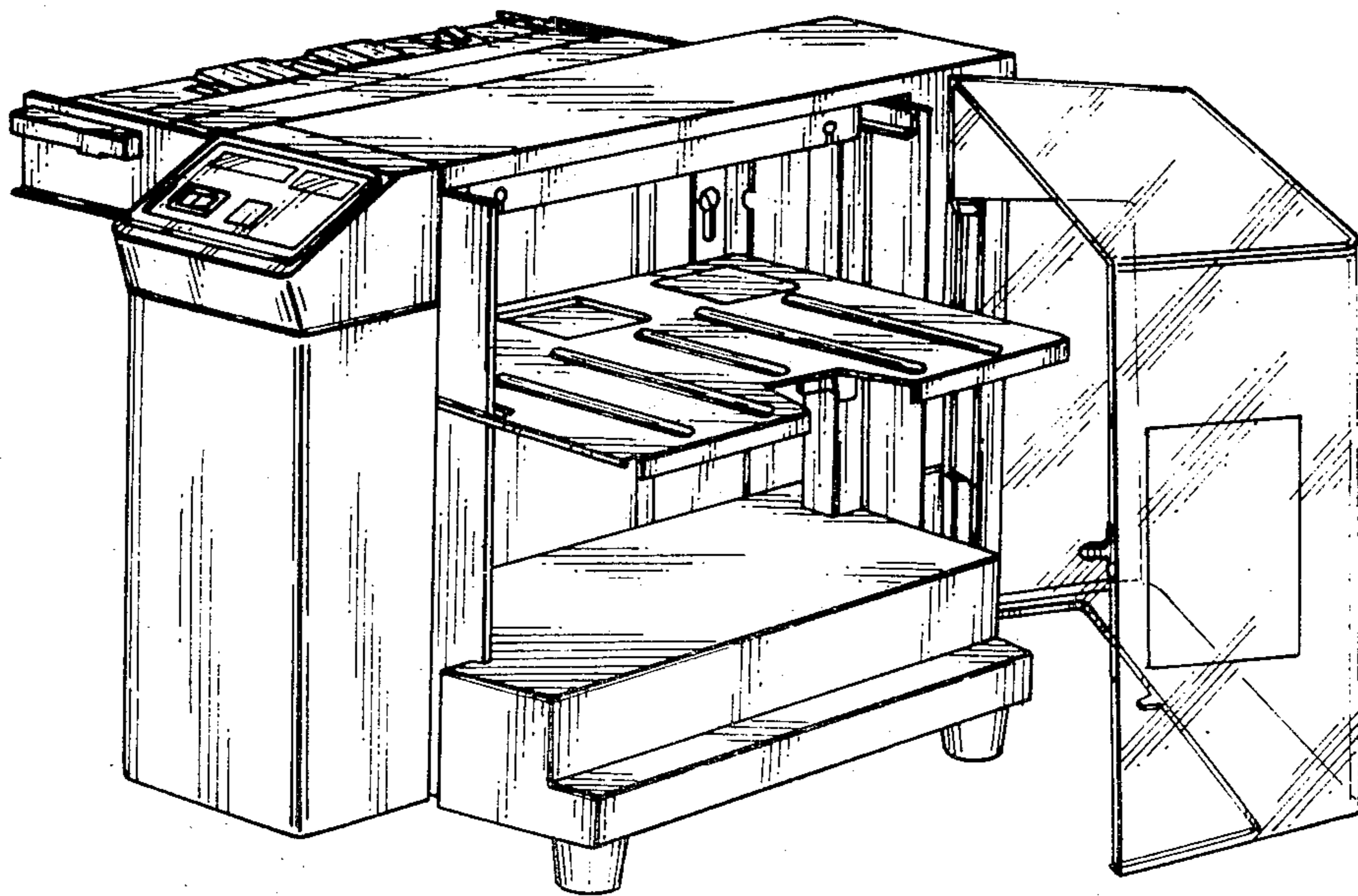


FIG. 3

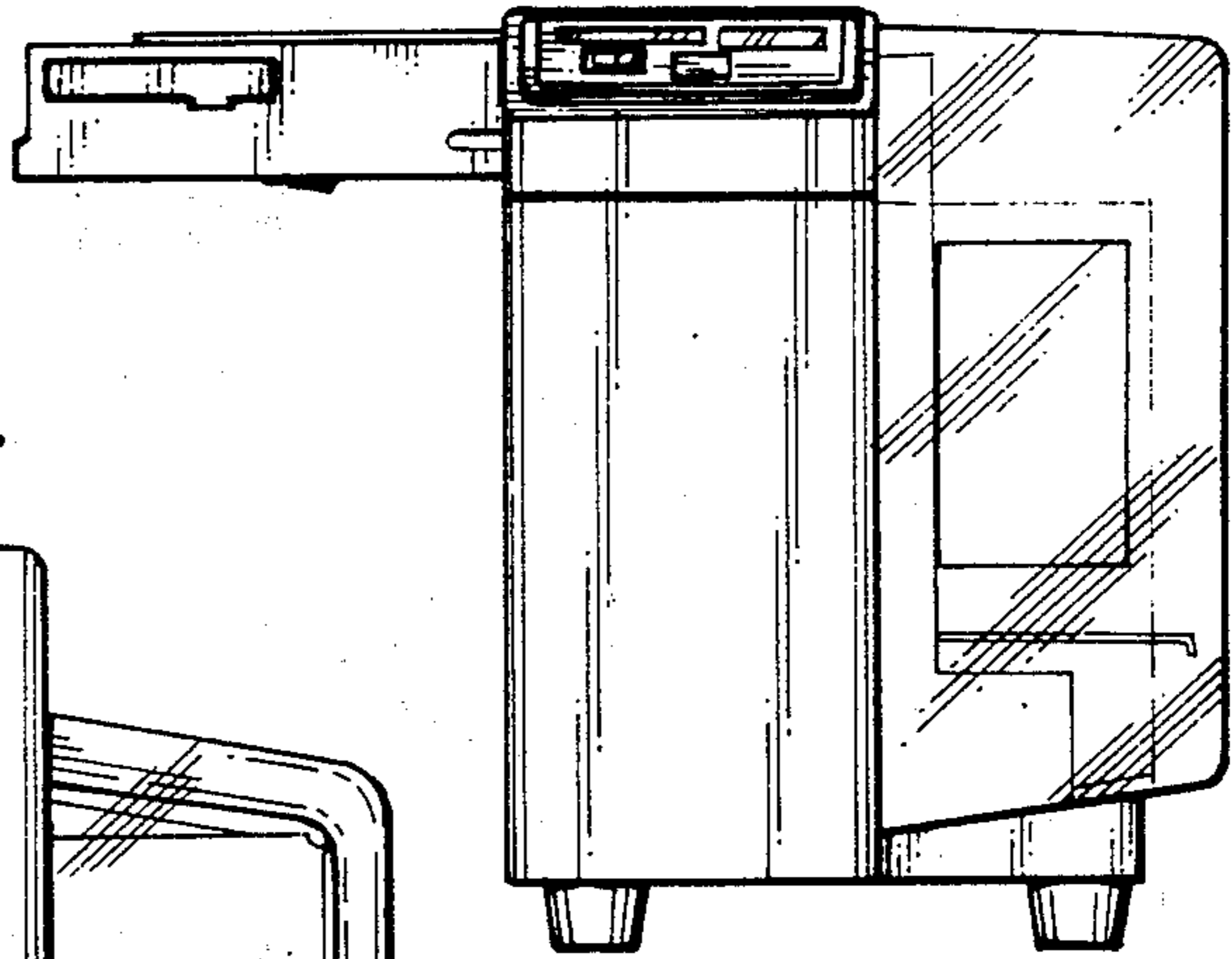


FIG. 4

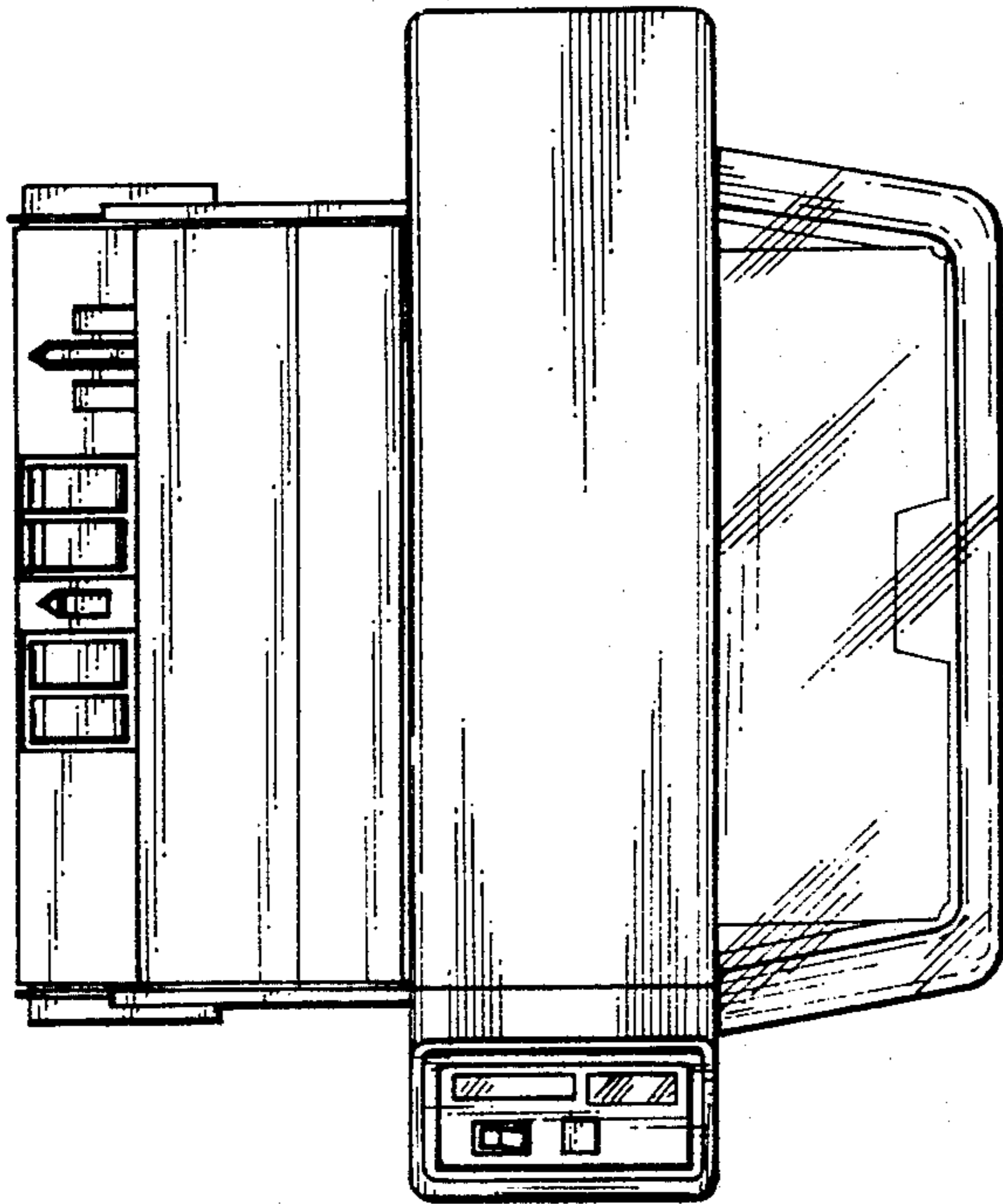


FIG. 5

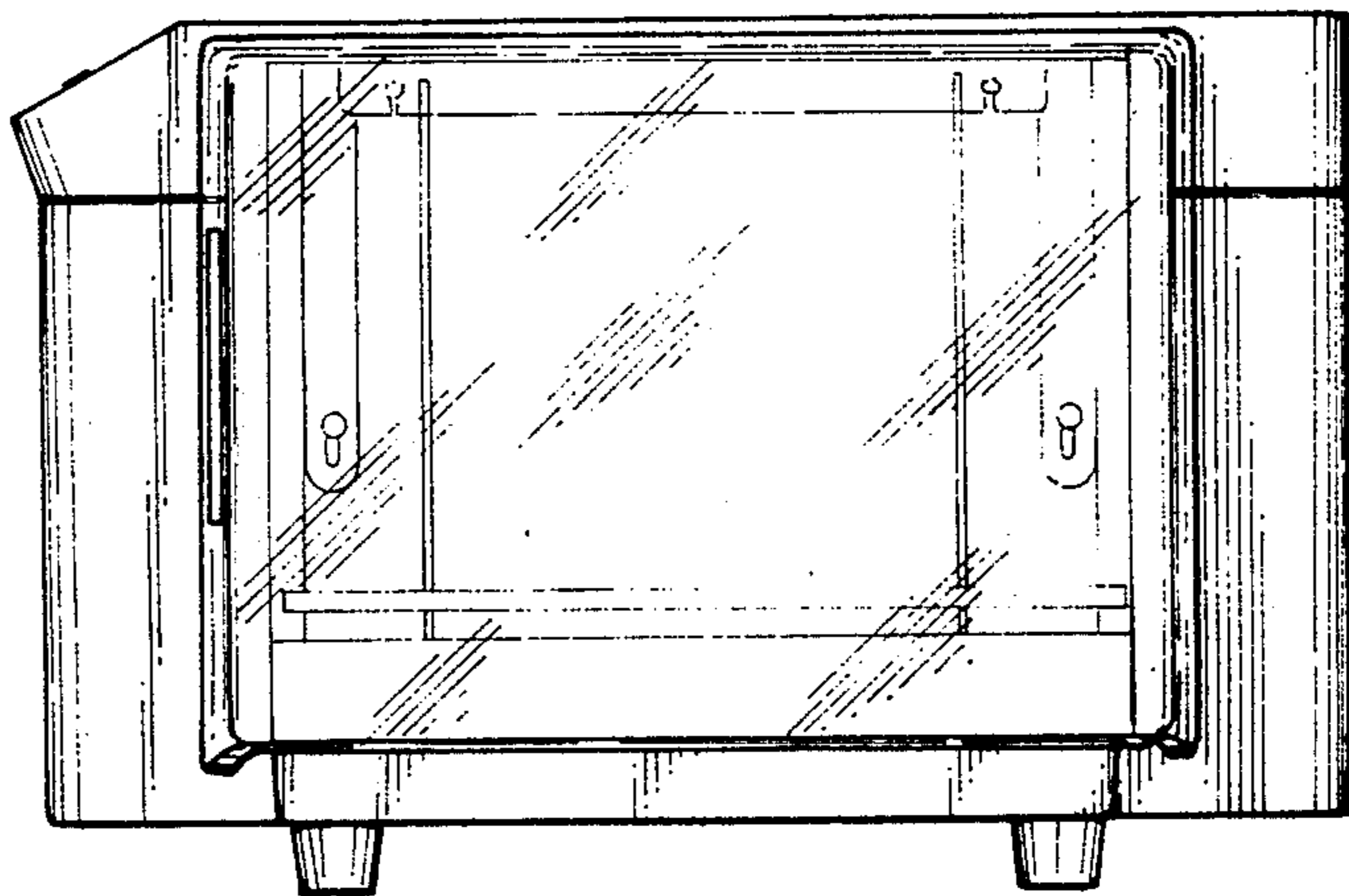




FIG. 6

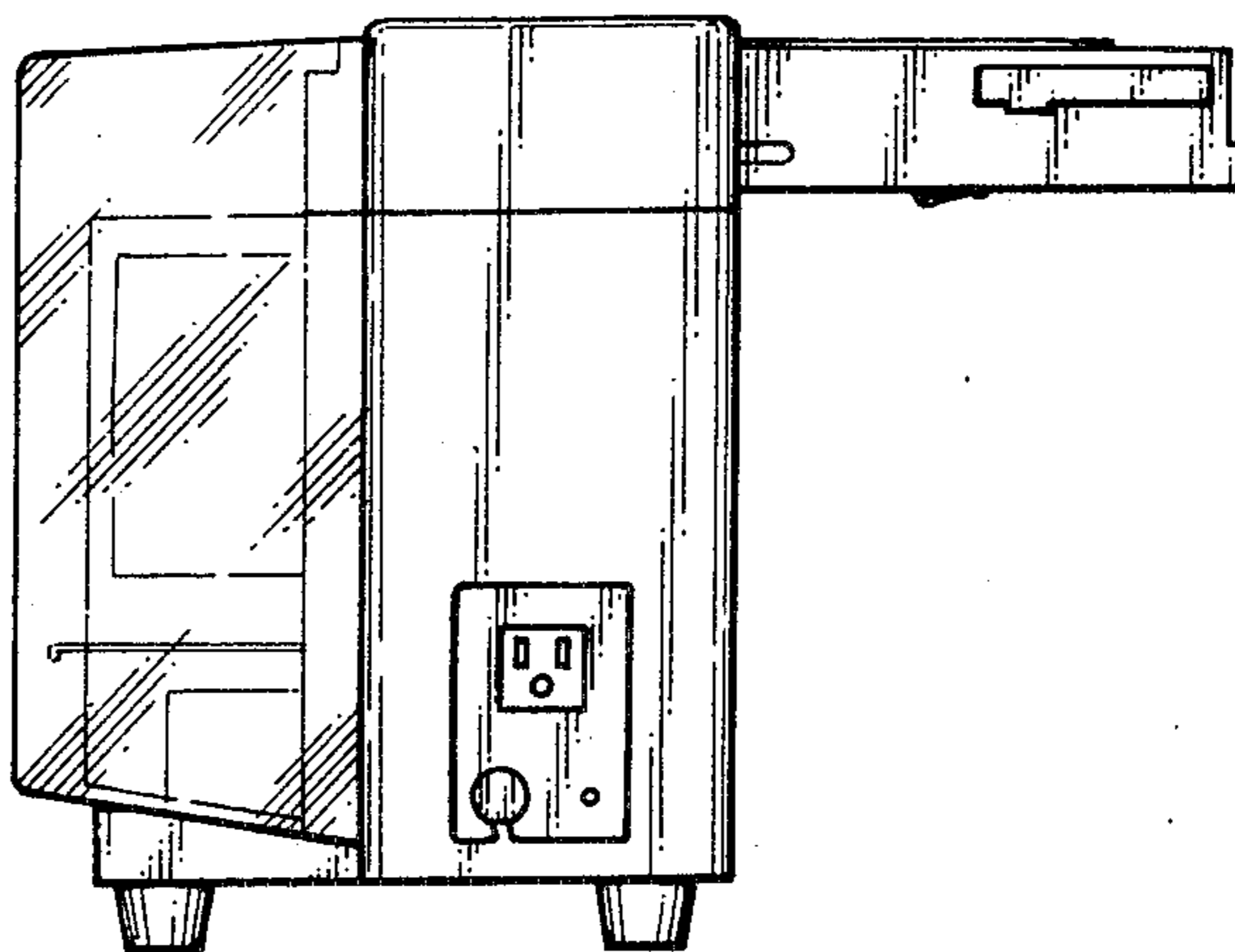


FIG. 7

