

[54] MOTOR DRIVE UNIT FOR A CAMERA

[75] Inventor: Lave Tenne, Kungsbacka, Sweden

[73] Assignee: Victor Hasselblad AB, Goteborg, Sweden

[**] Term: 14 Years

[21] Appl. No.: 675,740

[22] Filed: Nov. 28, 1984

[30] Foreign Application Priority Data

May 28, 1984 [SE]	Sweden	841649
[52] U.S. Cl.		D16/10
[58] Field of Search		D16/1-10;
		354/173.1, 173.11, 293-295

[56] References Cited

U.S. PATENT DOCUMENTS

3,748,986	7/1973	Kimura	354/173.1
3,854,142	12/1974	Whitley	354/173.11
4,294,530	10/1981	Iwashita	354/173.11
4,422,745	12/1983	Hopson	354/173.11
4,435,056	3/1984	Tanikawa	354/173.11 X

Primary Examiner—Nelson C. Holtje
Attorney, Agent, or Firm—Cushman, Darby & Cushman

[57] CLAIM

The ornamental design for motor drive unit for a camera, as shown and described.

DESCRIPTION

FIG. 1 is a left side elevational view of a motor drive unit for a camera showing my new design;
 FIG. 2 is a right side elevational view thereof;
 FIG. 3 is a top plan view of FIG. 2;
 FIG. 4 is a bottom plan view of FIG. 3;
 FIG. 5 is a front elevational view thereof;
 FIG. 6 is a rear elevational view thereof.

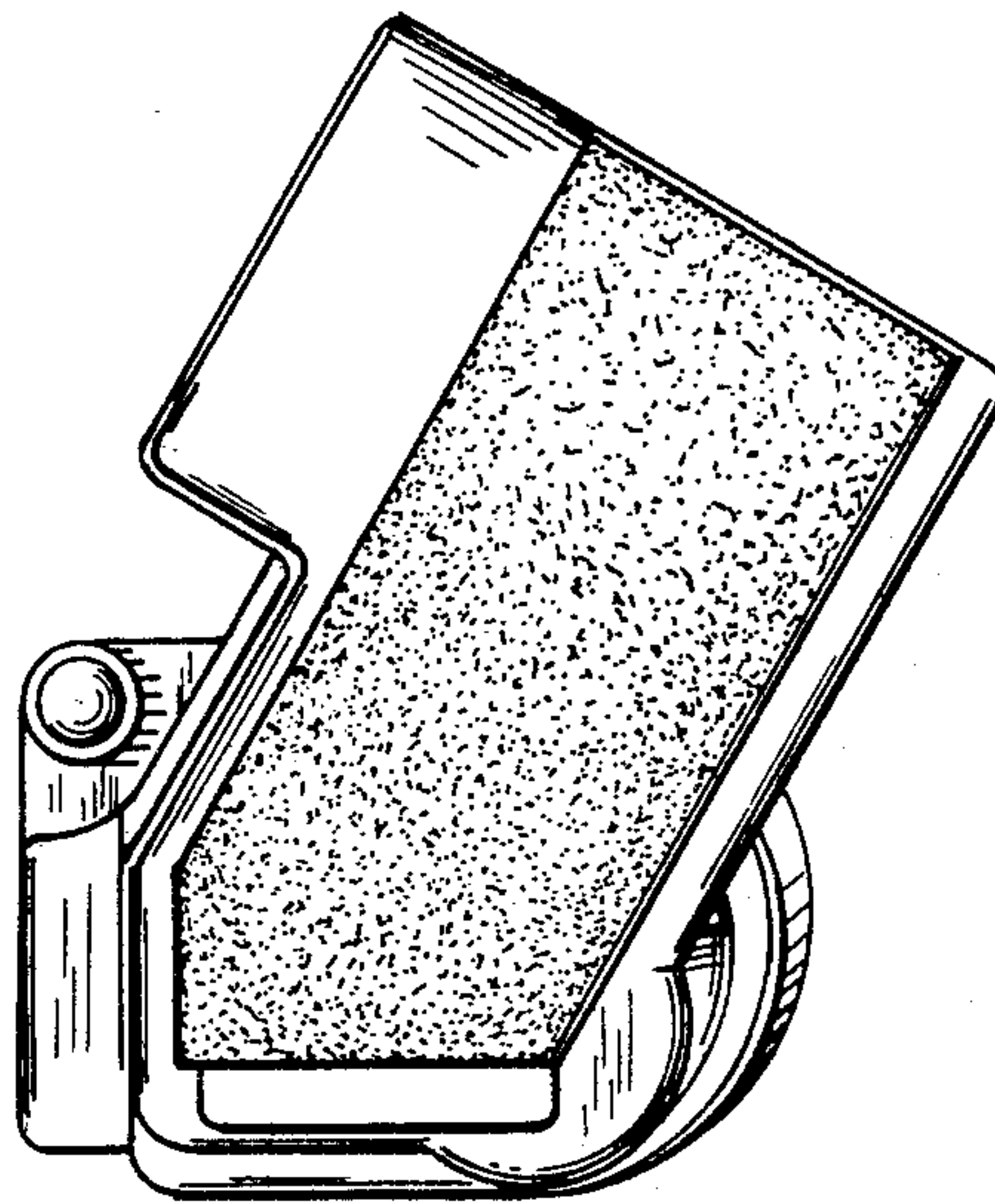


Fig. 1.

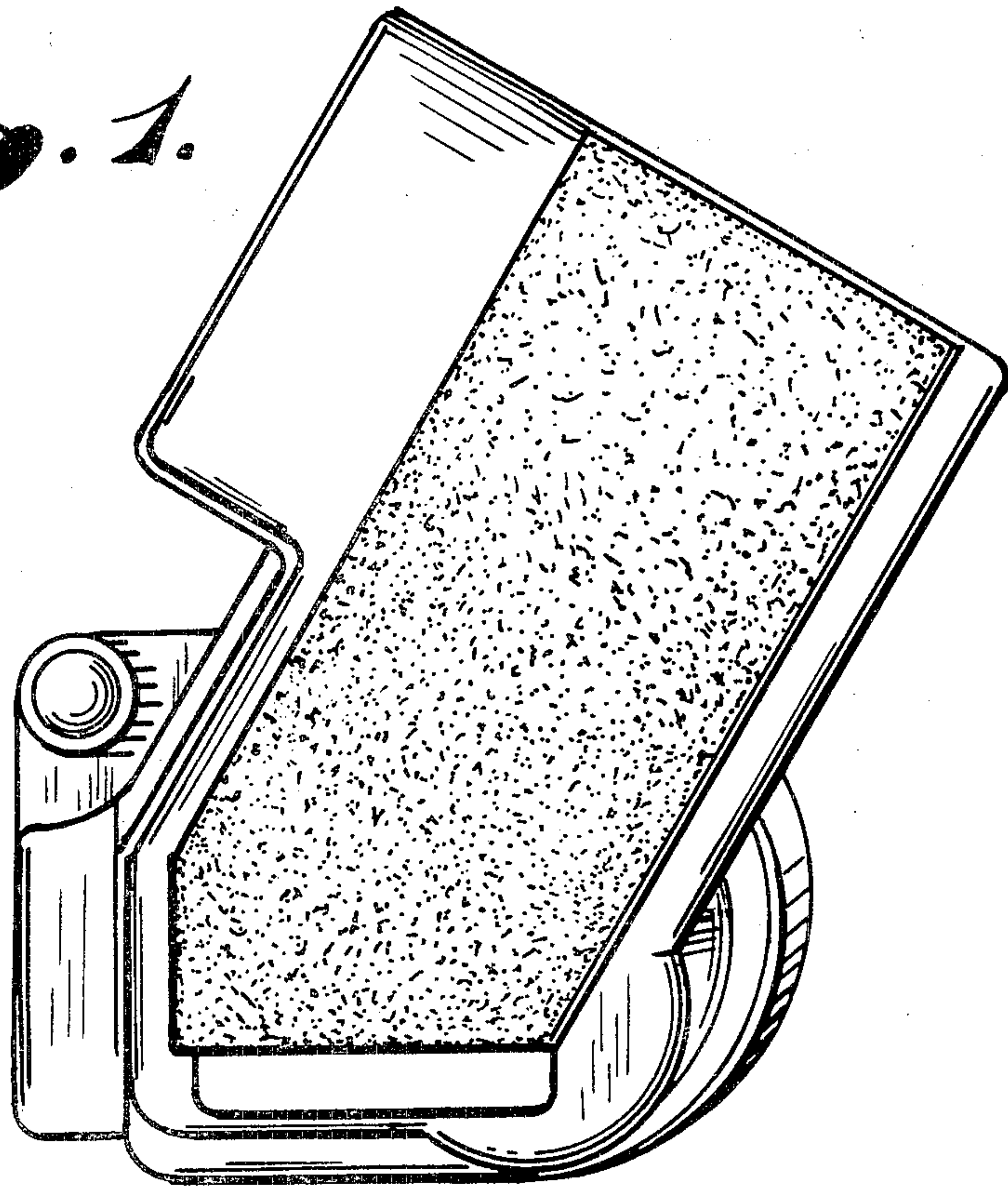


Fig. 2.

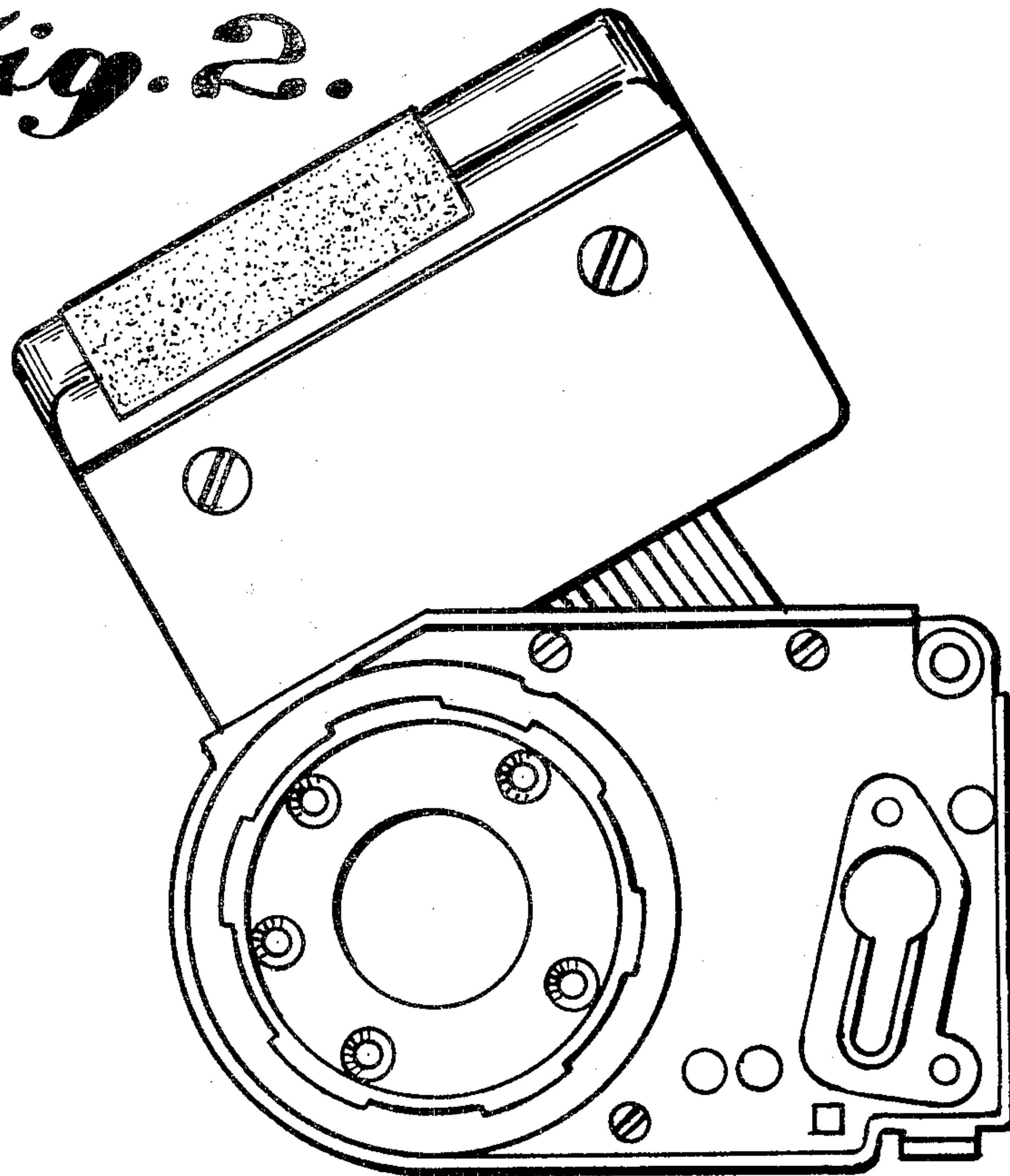


Fig. 3.

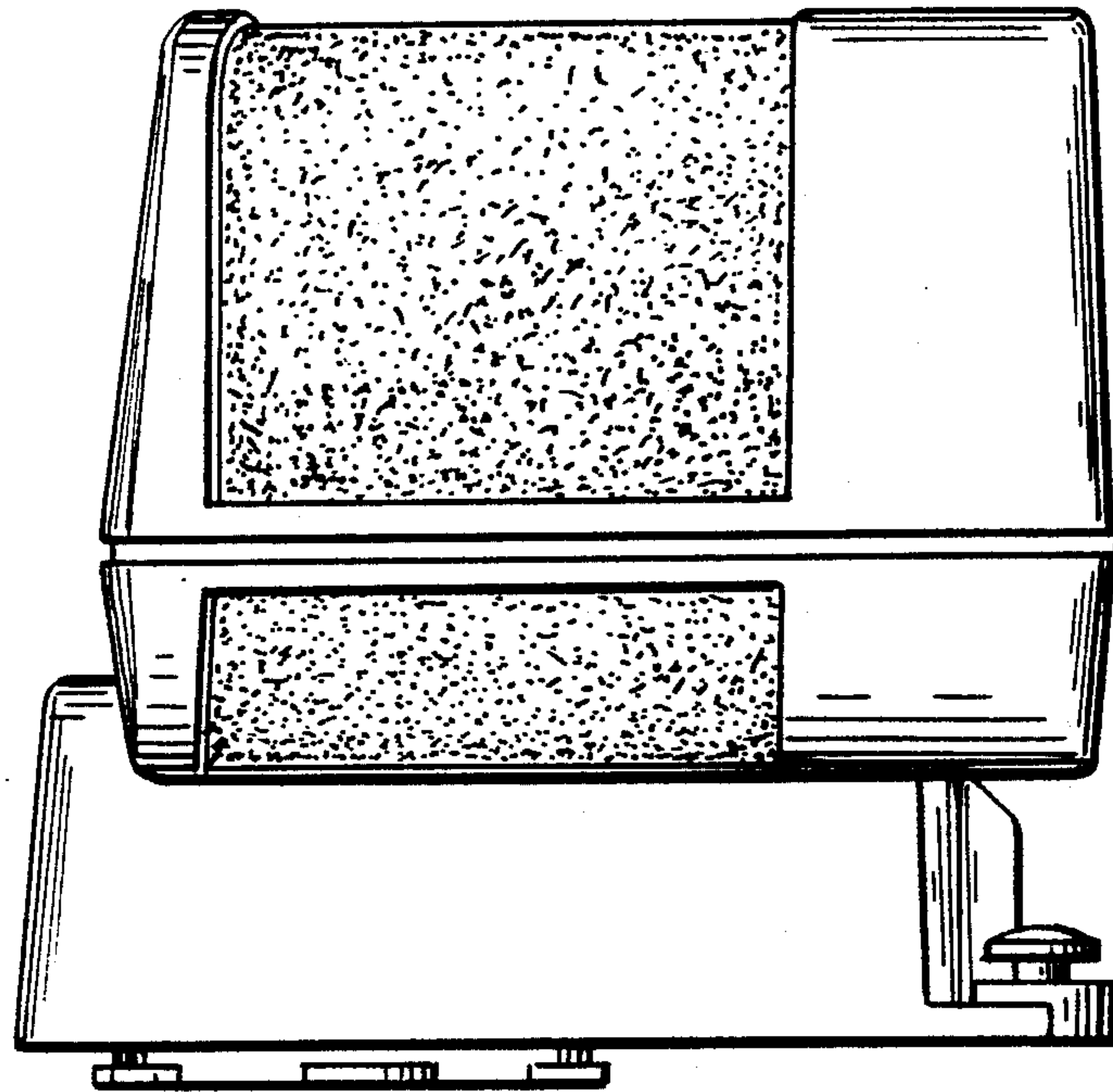


Fig. 4.

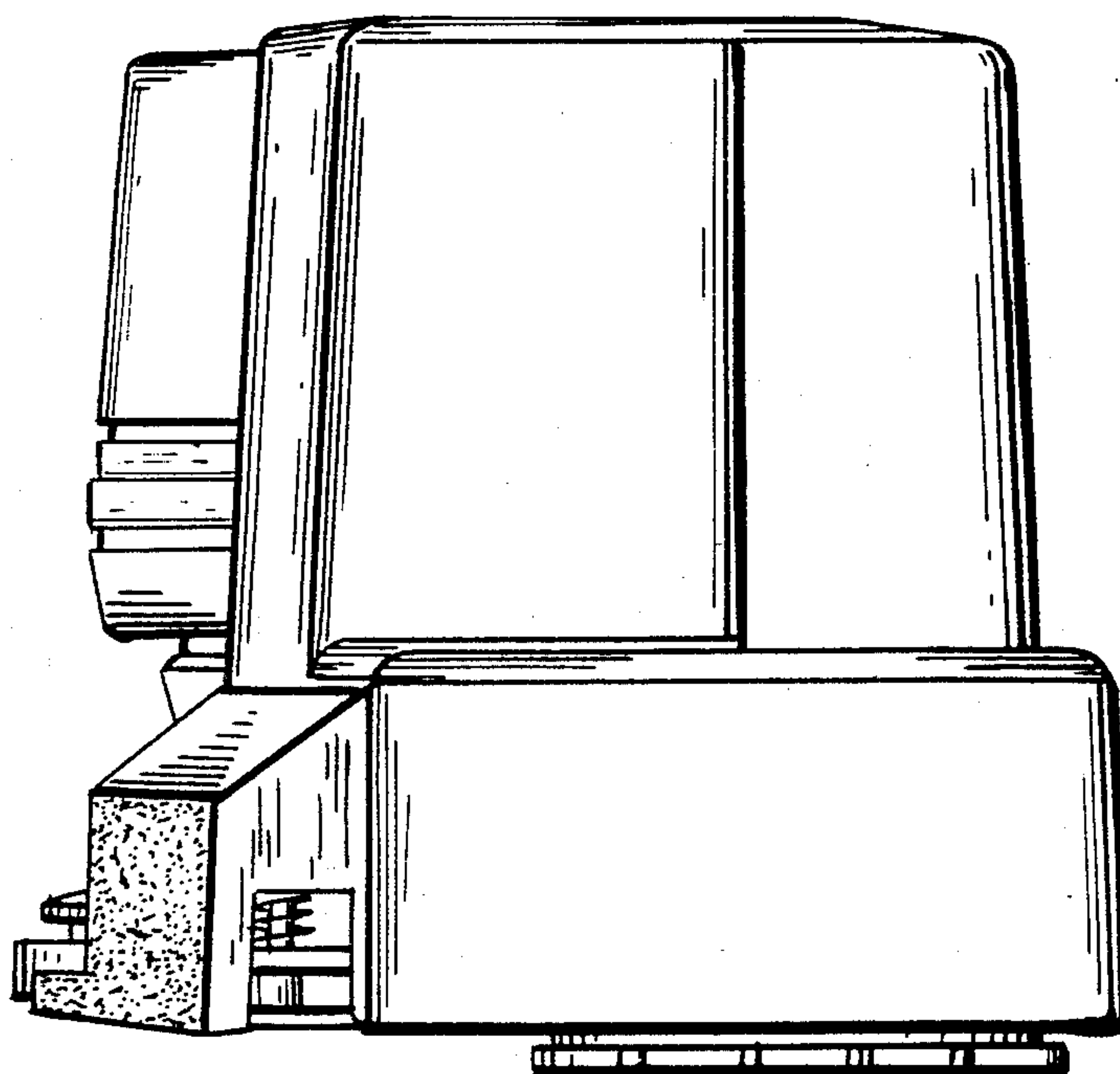


Fig. 5.

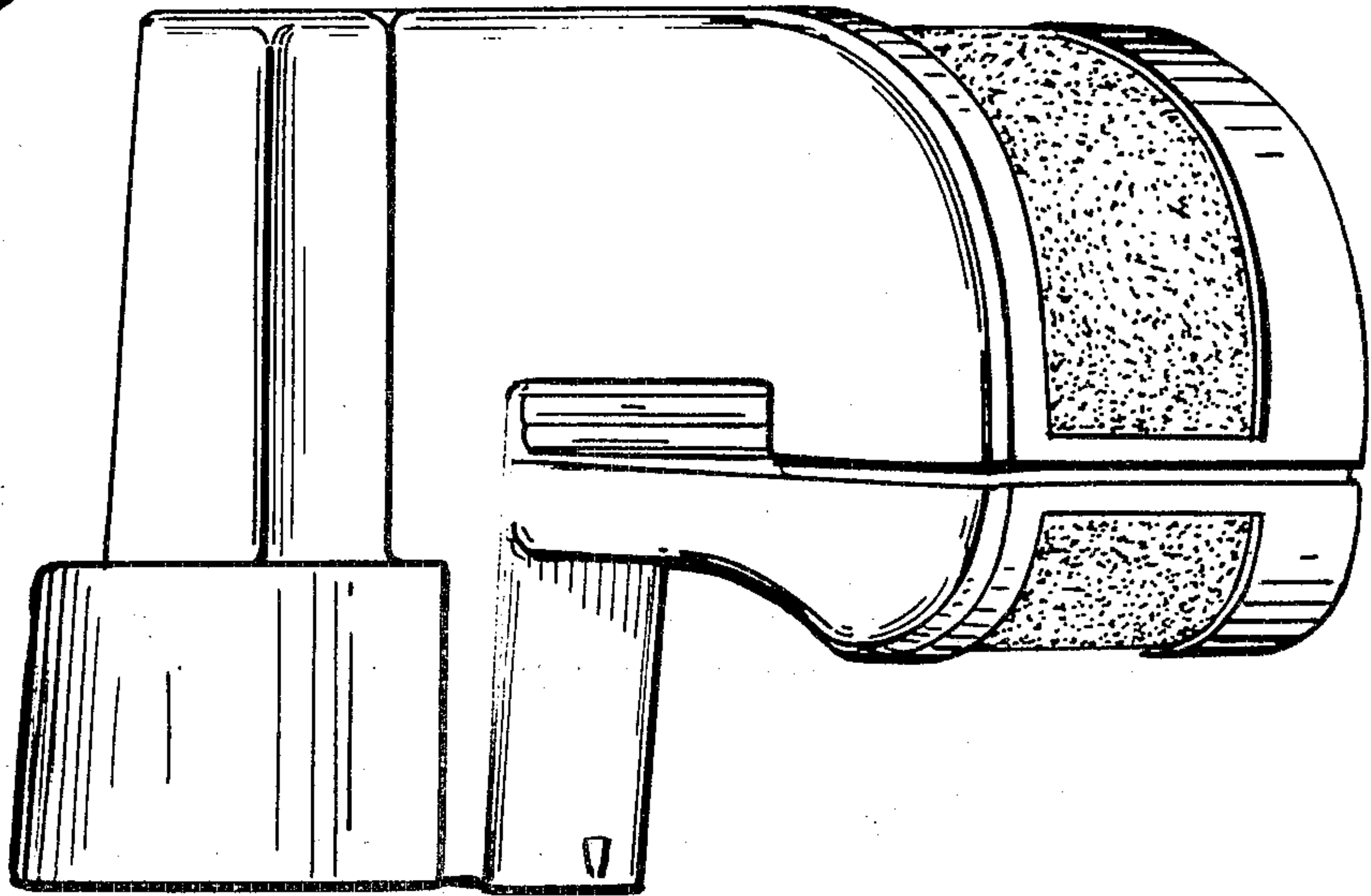


Fig. 6.

