

[54] VIDEO CAMERA

[75] Inventors: Masakatu Iwasaki, Koganei; Hideyo Hyuga; Kazunori Hashimoto, both of Tokyo, all of Japan

[73] Assignee: Hitachi Ltd., Tokyo, Japan

[\*\*] Term: 14 Years

[21] Appl. No.: 473,851

[22] Filed: Mar. 9, 1983

[30] Foreign Application Priority Data

Sep. 20, 1982 [JP] Japan ..... 57-42468  
[52] U.S. Cl. .... D14/78; D14/1  
[58] Field of Search ..... D14/78, 79; D16/3, 4; 358/229

[56]

References Cited

U.S. PATENT DOCUMENTS

D. 241,738 10/1976 Lee et al. .... D14/78

OTHER PUBLICATIONS

*High Fidelity*, 7-81, p. A4, JVC S-100U.  
*High Fidelity*, 11-81, p. 55, RCA CC010.  
W. Bell & Co. '83 Catalog, ©'82, p. 304, Panasonic Pk-956 & Sony HVC-2200.

*Primary Examiner*—Bernard Ansher  
*Assistant Examiner*—Theodore M. Shooman  
*Attorney, Agent, or Firm*—Antonelli, Terry & Wands

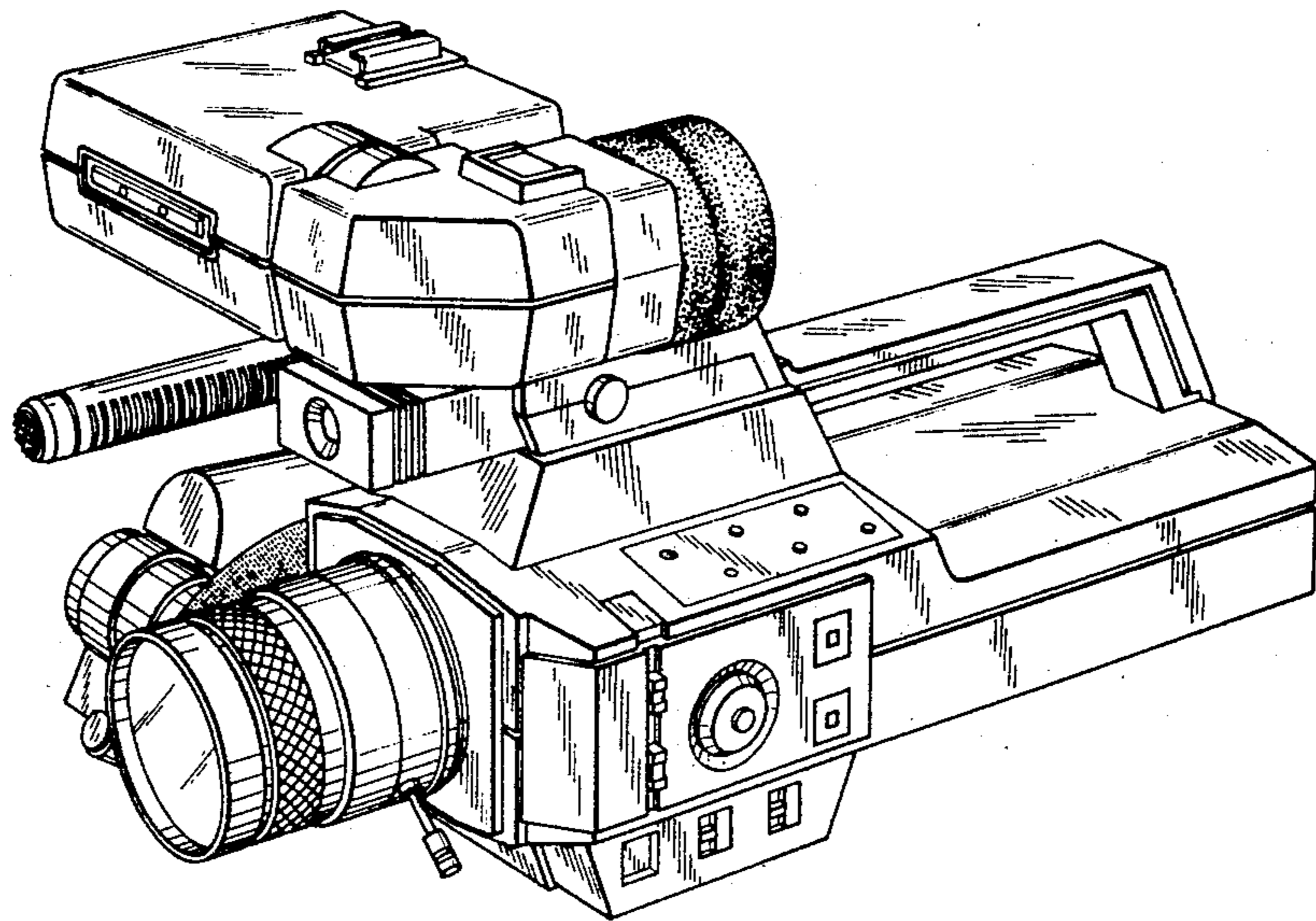
[57]

CLAIM

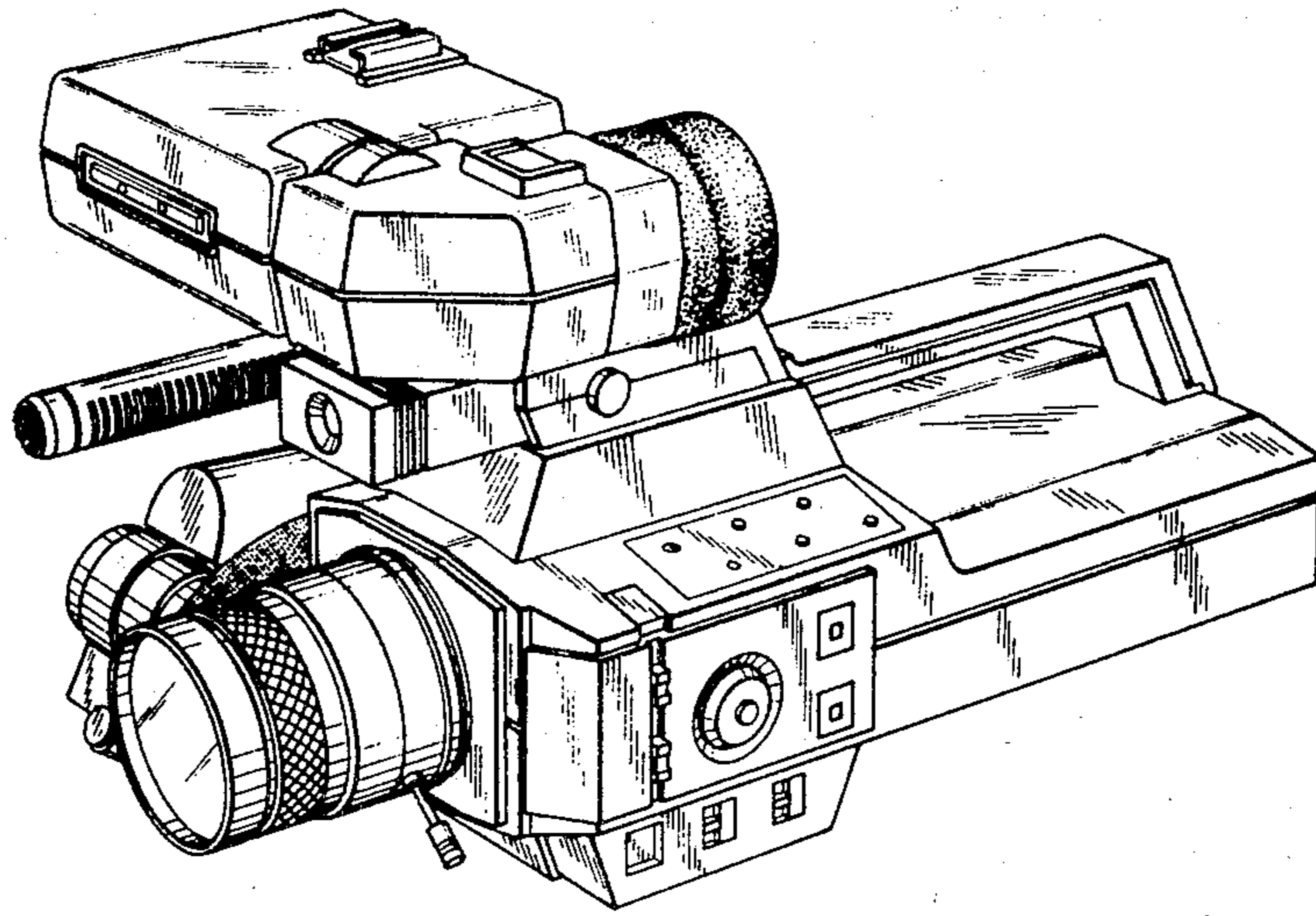
The ornamental design of a video camera, as shown.

DESCRIPTION

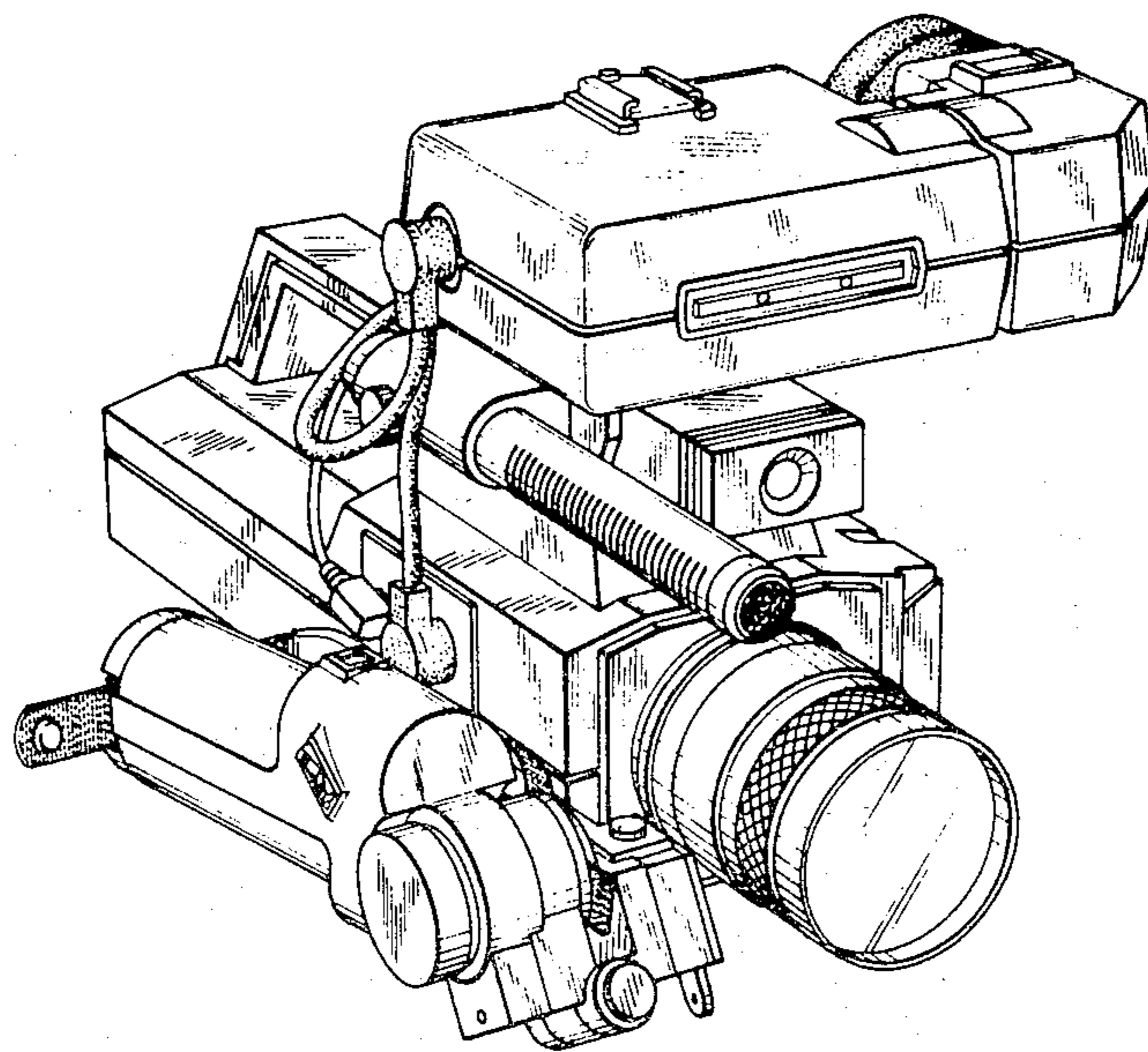
FIG. 1 is a front, top and right side perspective view of a video camera showing our new design;  
FIG. 2 is a front, top and left side perspective view thereof;  
FIG. 3 is a rear elevational view thereof;  
FIG. 4 is a bottom plane view thereof.



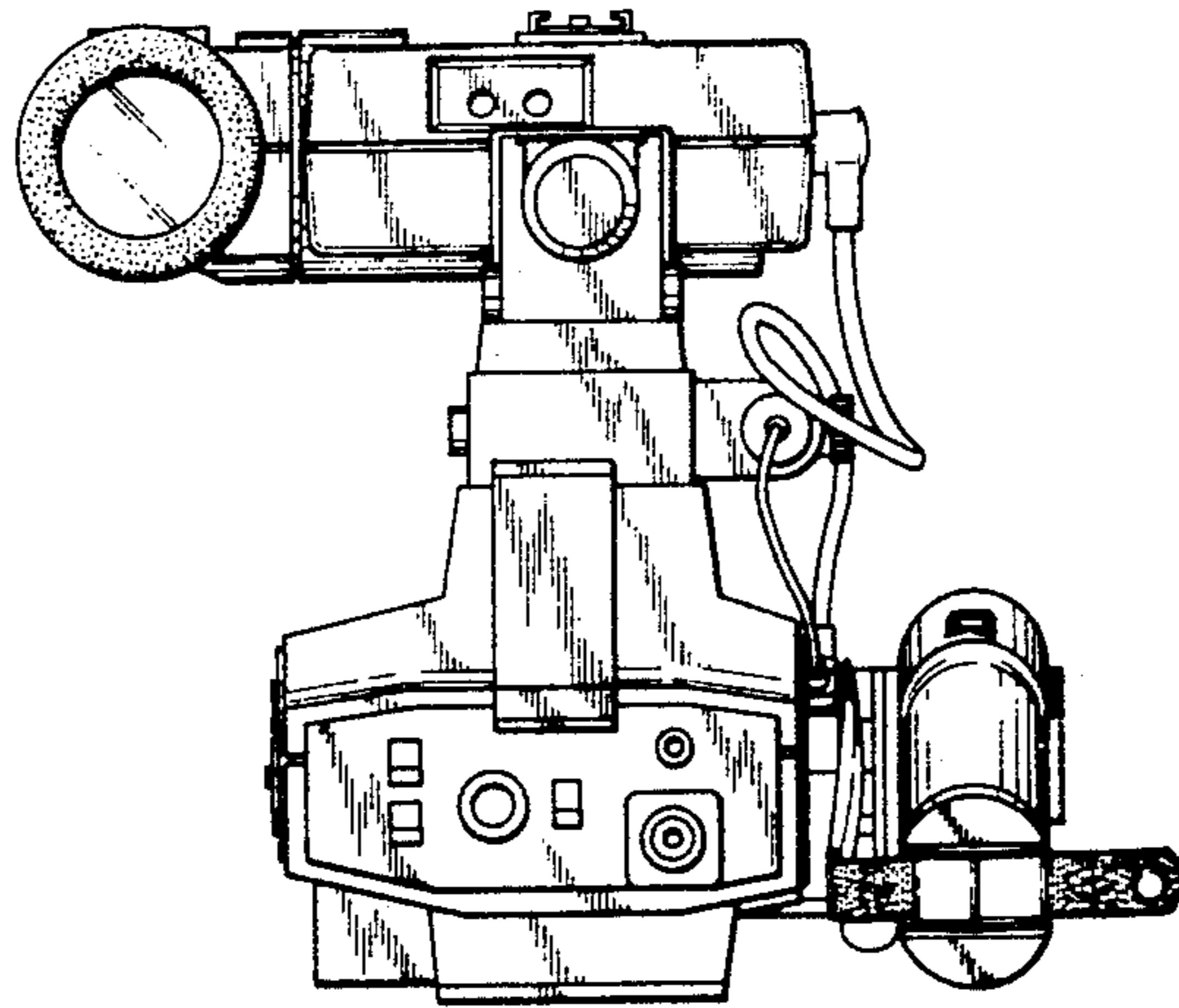
**FIG. 1.**



**FIG. 2.**



**FIG. 3.**



**FIG. 4.**

