

[54] TELEPHONE SET

[75] Inventor: James T. Asaki, Raleigh, N.C.
[73] Assignee: ITT Corporation, New York, N.Y.
[**] Term: 14 Years
[21] Appl. No.: 655,969

[22] Filed: Sep. 28, 1984
[52] U.S. Cl. D14/53; D14/62;
179/179; D21/111; D14/63
[58] Field of Search D14/52, 53, 62, 60,
D14/65, 64, 58; D21/111; 179/179, 100 R, 100
D, 100 L, 101, 103

[56] References Cited

U.S. PATENT DOCUMENTS

- D. 229,837 1/1974 Genaro D14/63
- D. 264,077 4/1982 Fukushima et al. D14/53
- D. 270,155 8/1983 Shimizu D14/53
- D. 275,669 9/1984 Genaro et al. D14/60
- D. 277,002 1/1985 Genaro et al. D14/62
- D. 277,164 1/1985 Bevilacqua D14/63
- D. 278,812 5/1985 Topp D14/53
- D. 281,243 11/1985 Reichenstein D14/53
- 4,359,222 11/1982 Smith et al. D14/53 UX

FOREIGN PATENT DOCUMENTS

- 500274 1/1979 Japan D14/58 UX

OTHER PUBLICATIONS

B. A. Pargh Co. Inc. Catalog ©1983: at p. 12 "Webcor" Jumbo Button ZIP Models 767OR, 767SW.
Speigels' Catalog Fall-1983: at p. 607: Bell System Big Button, Model N5551 47307.

Primary Examiner—Wallace R. Burke
Assistant Examiner—Horace B. Fay
Attorney, Agent, or Firm—John T. O'Halloran; Jeffrey P. Morris

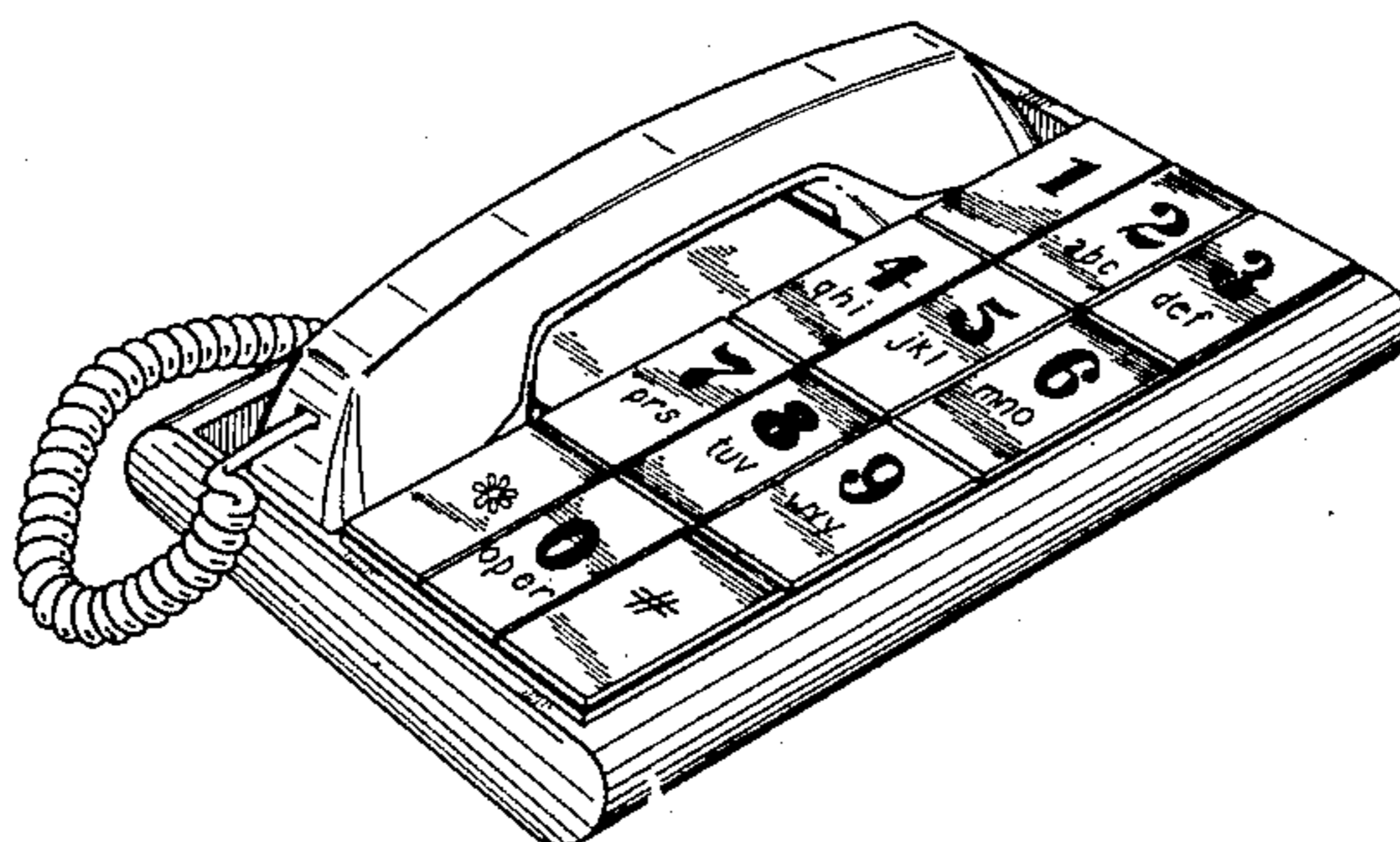
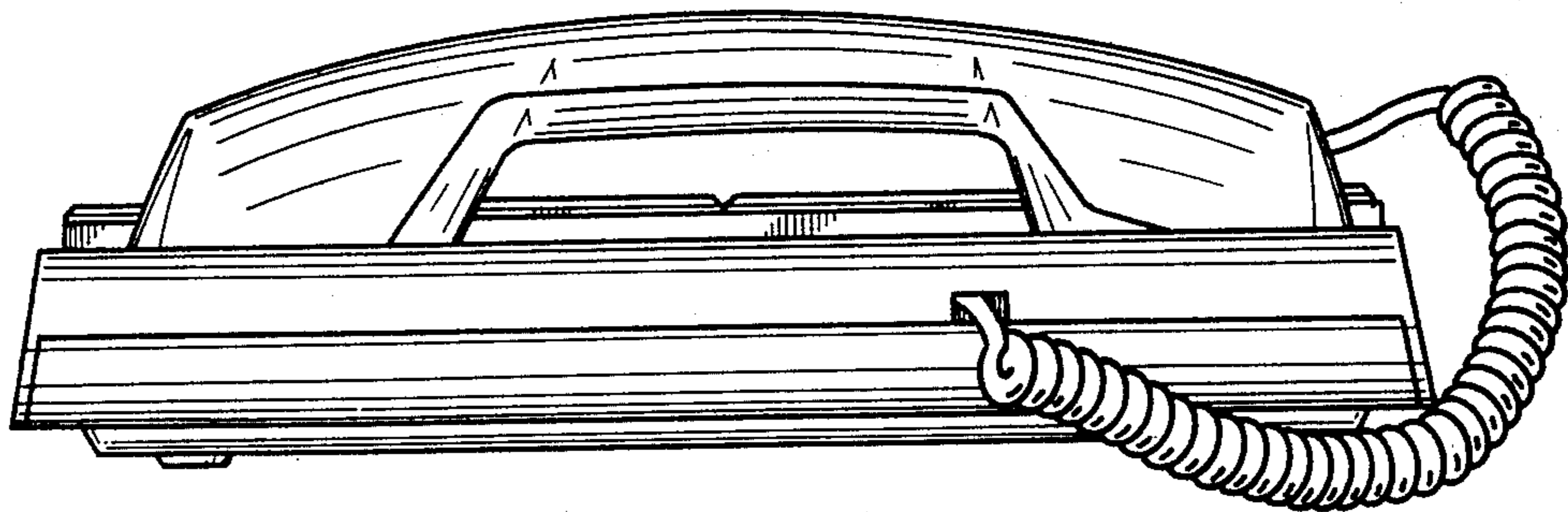
[57] CLAIM

The ornamental design for a telephone set, as shown and described.

DESCRIPTION

FIG. 1 is a top plan view of the stand of a telephone set showing my new design;
FIG. 2 is a top plan view of a telephone set with the handset cradled upon the stand;
FIGS. 3 and 4 are respectively left side elevational views of the stand and of the cradled set;
FIGS. 5 and 6 are respectively right side elevational views of the stand and of the cradled set;
FIGS. 7 and 8 are respectively rear elevational views of the cradled set and of the stand;
FIGS. 9 and 10 are respectively front elevational views of the cradled set and of the stand;
FIGS. 11 and 12 are respectively bottom plan and top plan views of the handset;
FIGS. 13 and 14 are respectively right and left side elevational views of the handset;
FIGS. 15 and 16 are respectively rear and front elevational views of the handset; and
FIG. 17 is a front, top, and right side isometric view of the cradled set.

For ease of illustration and clarity of representation, the handset and stand of the telephone set are shown separately in several views, and the cord is also shown in fragmentary form for similar reasons.



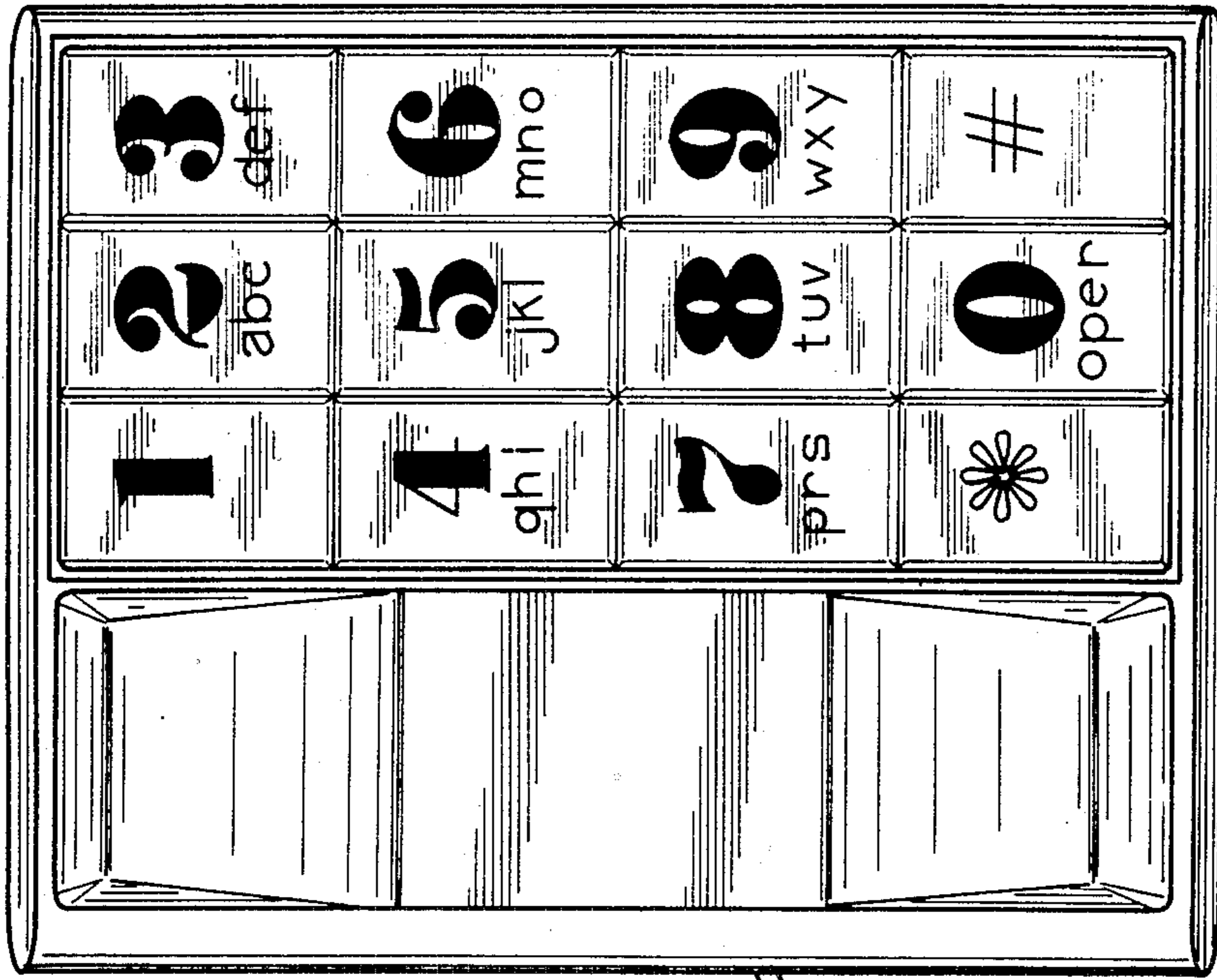


Fig. 1

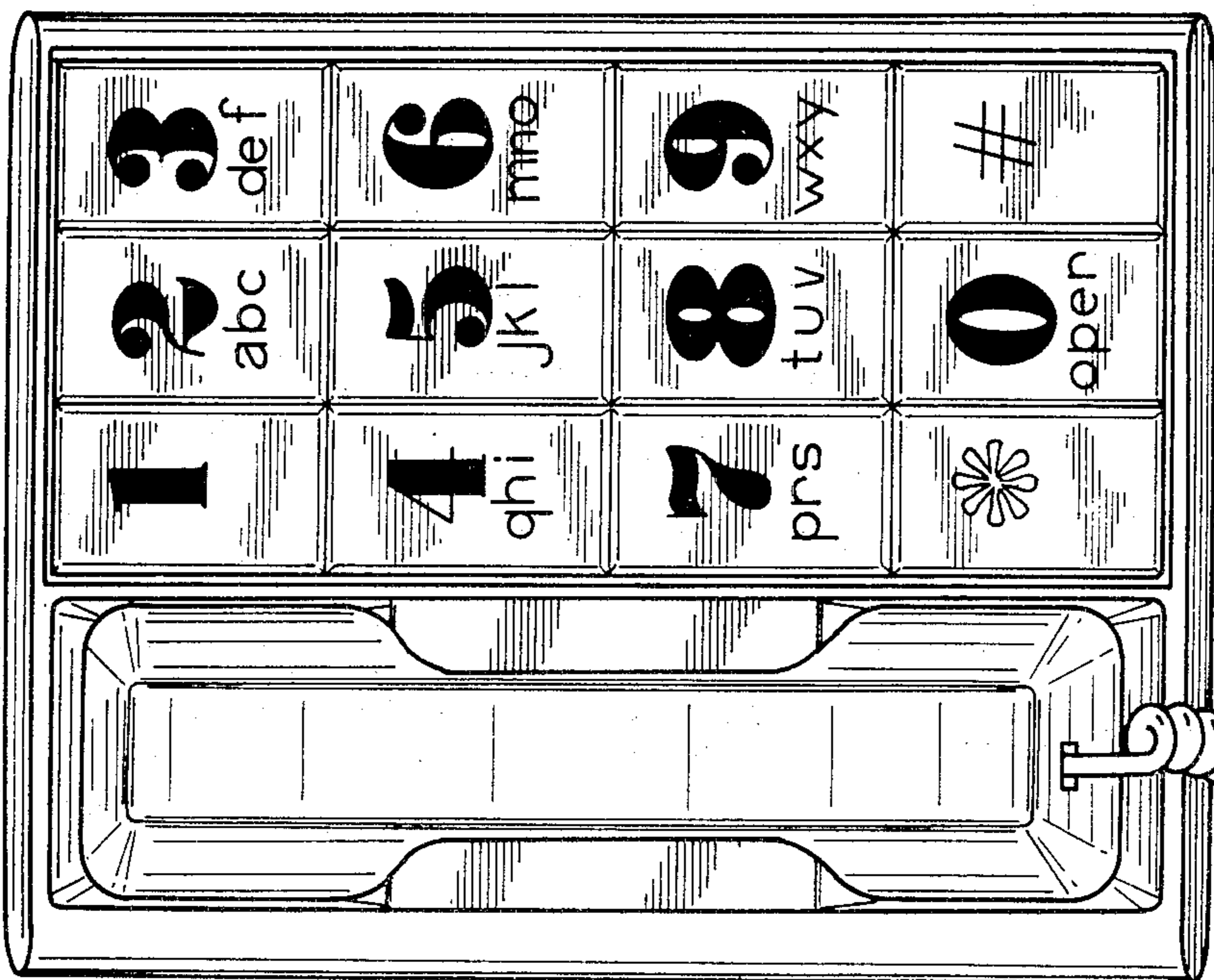


Fig. 2

Fig. 3

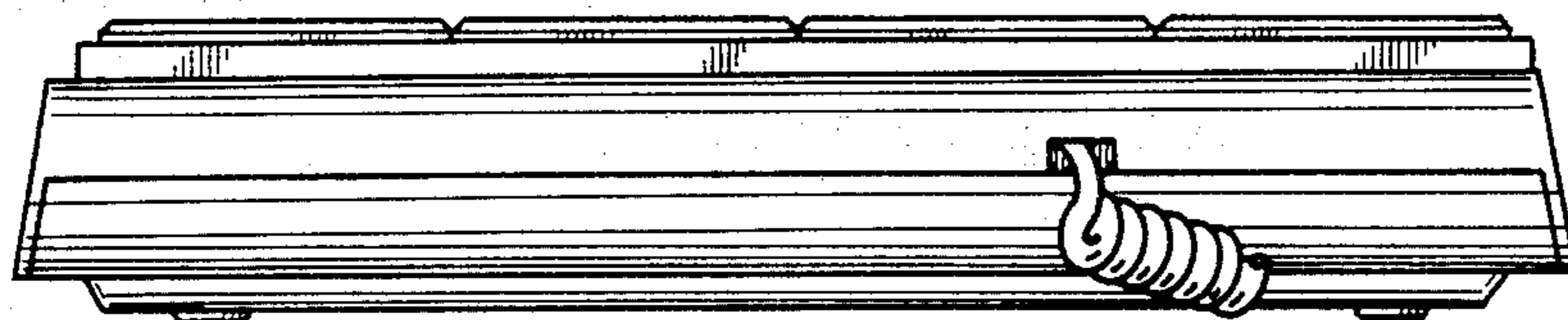


Fig. 4

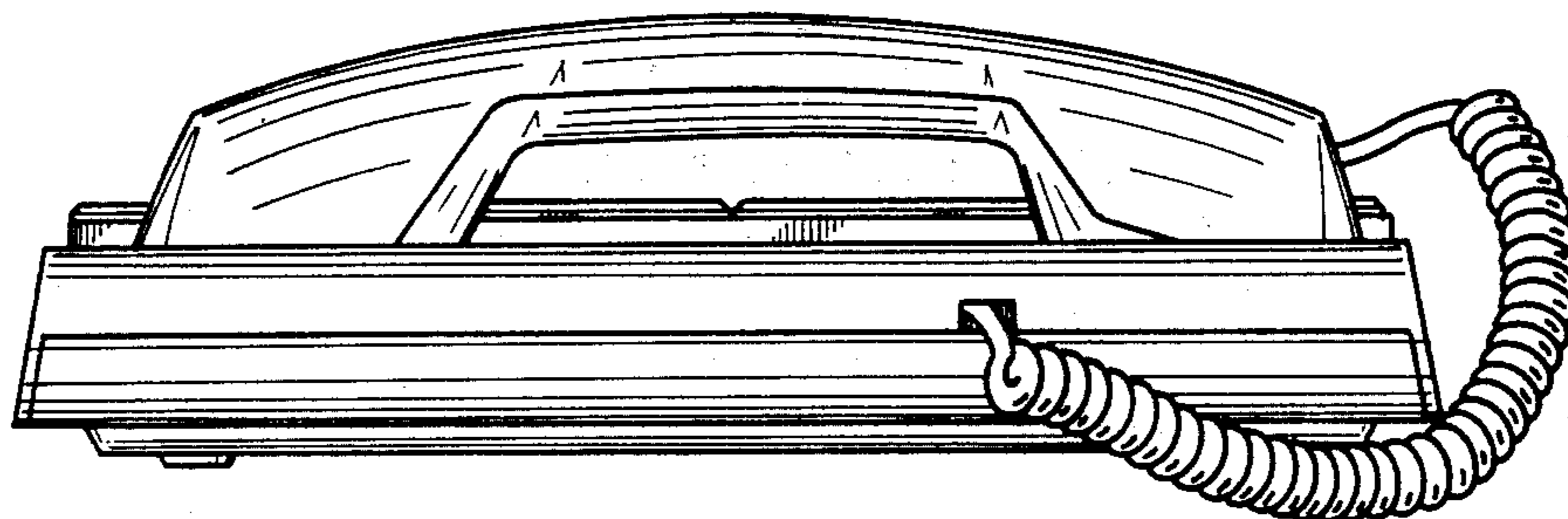


Fig. 5

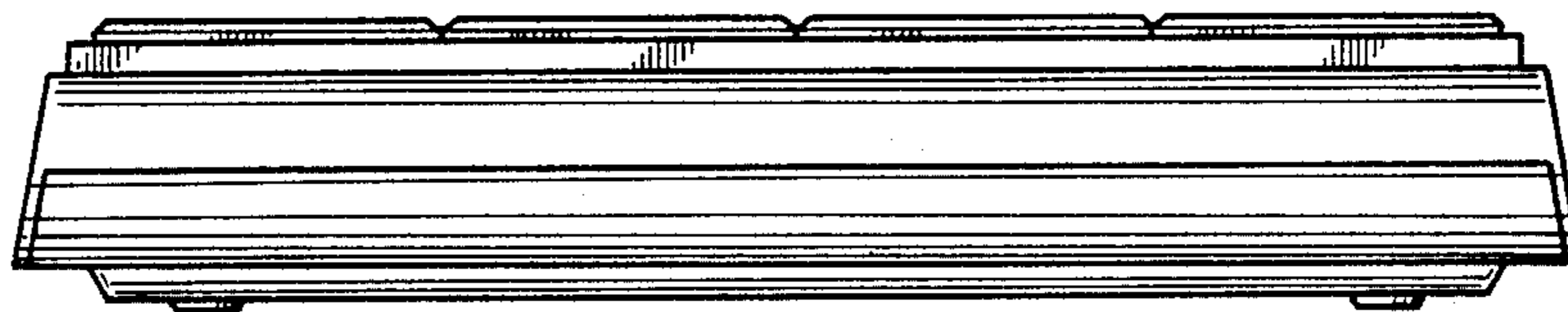


Fig. 6

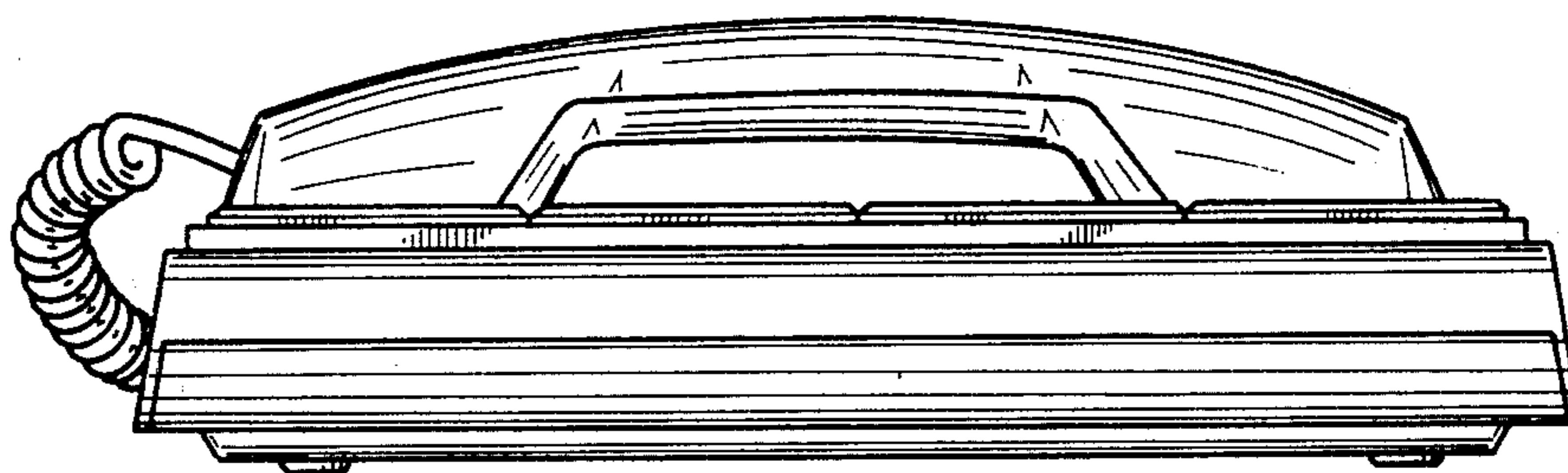


Fig. 7

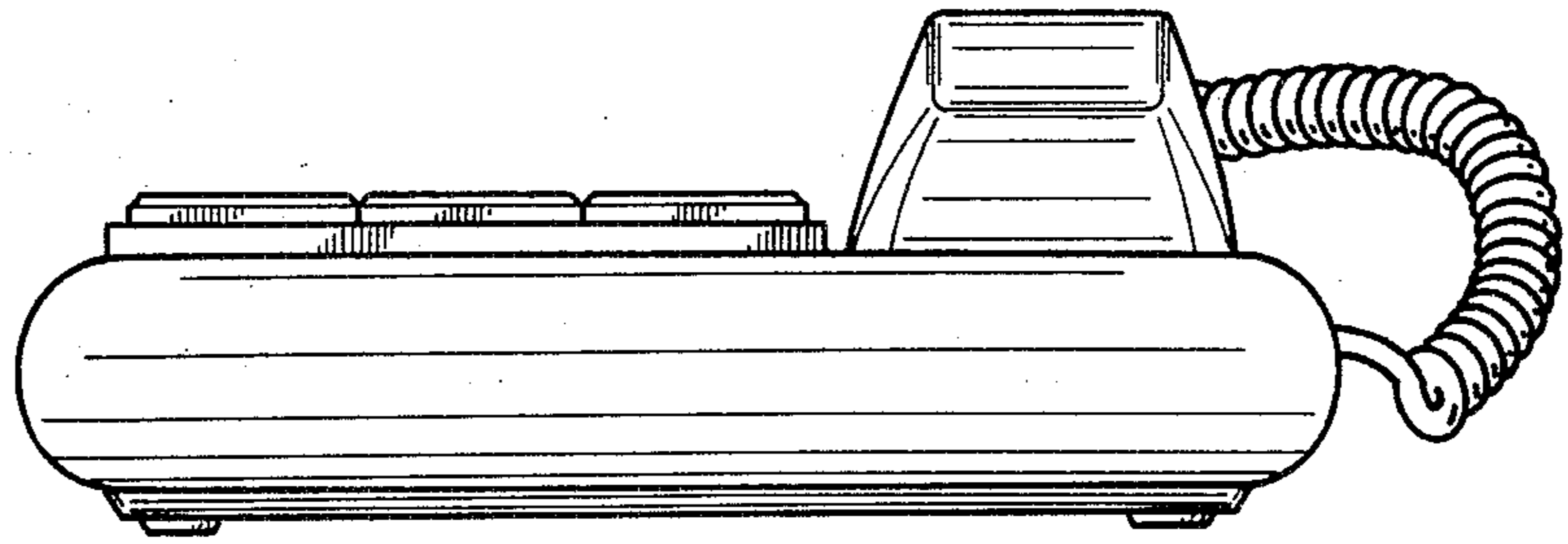


Fig. 8

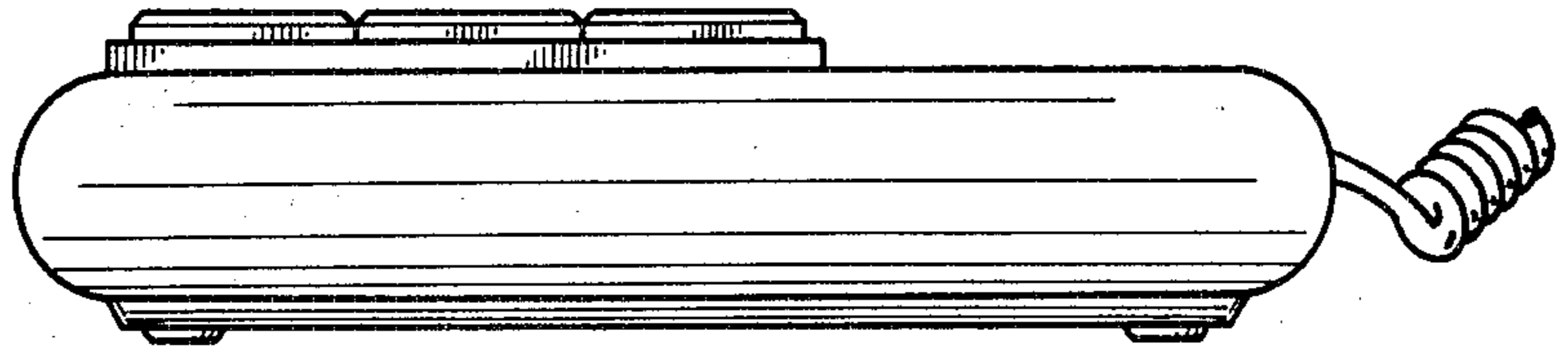


Fig. 9

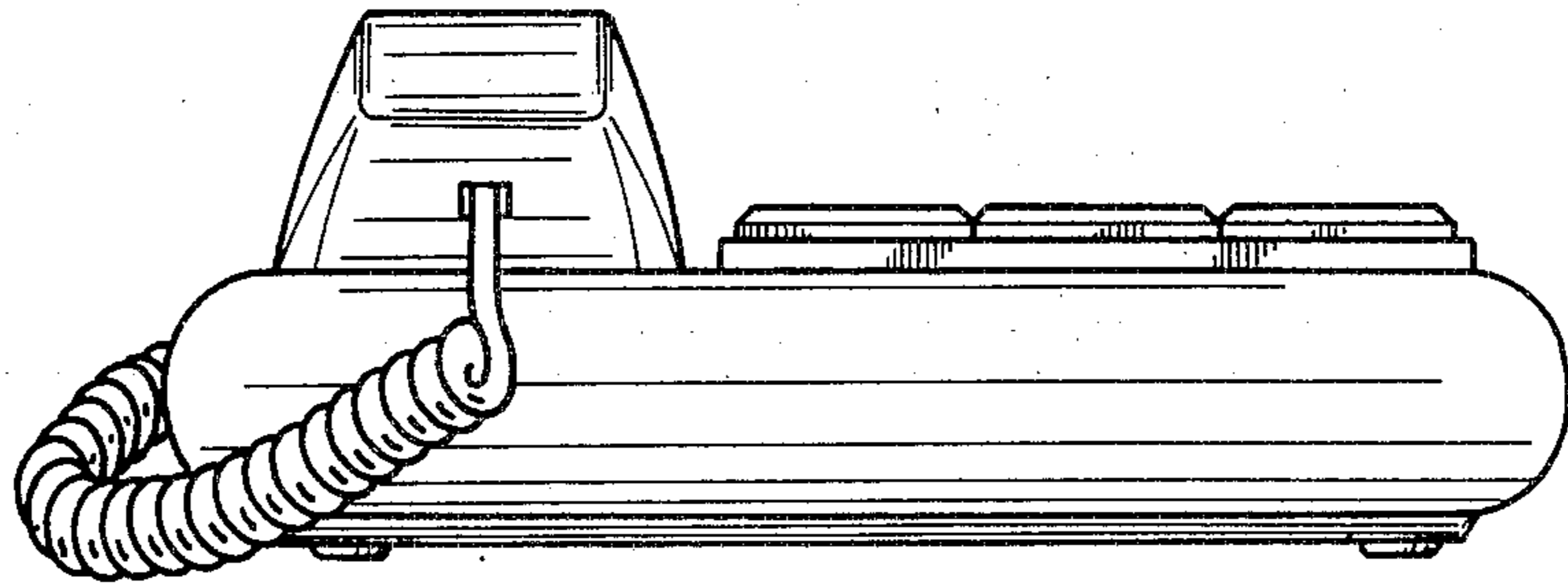
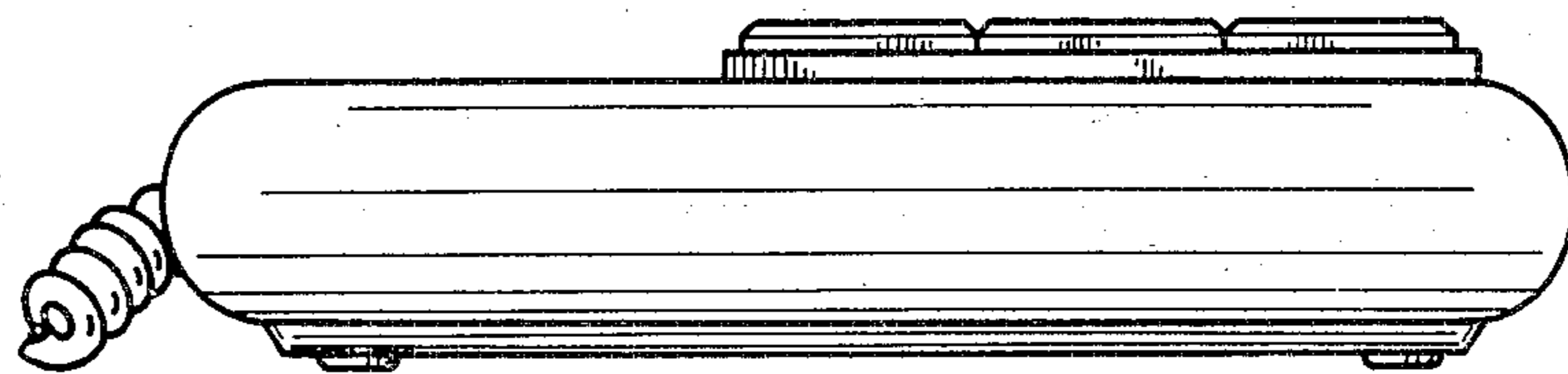
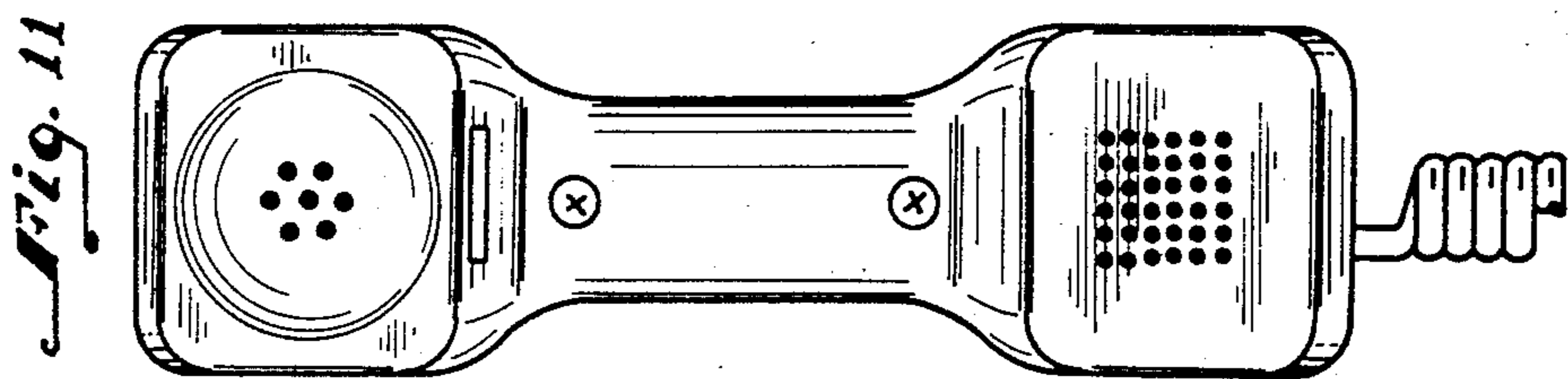
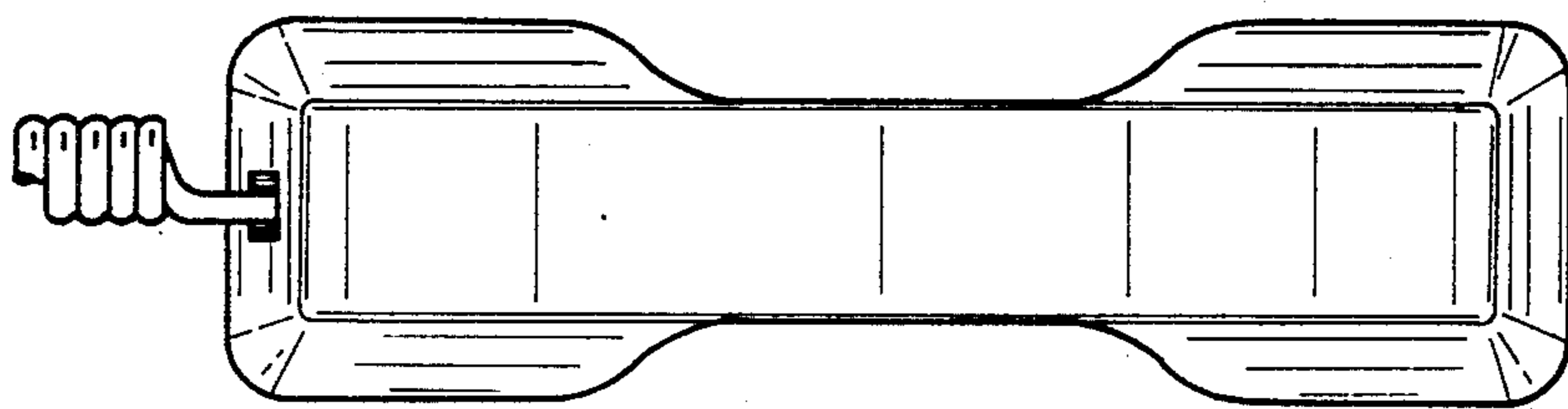
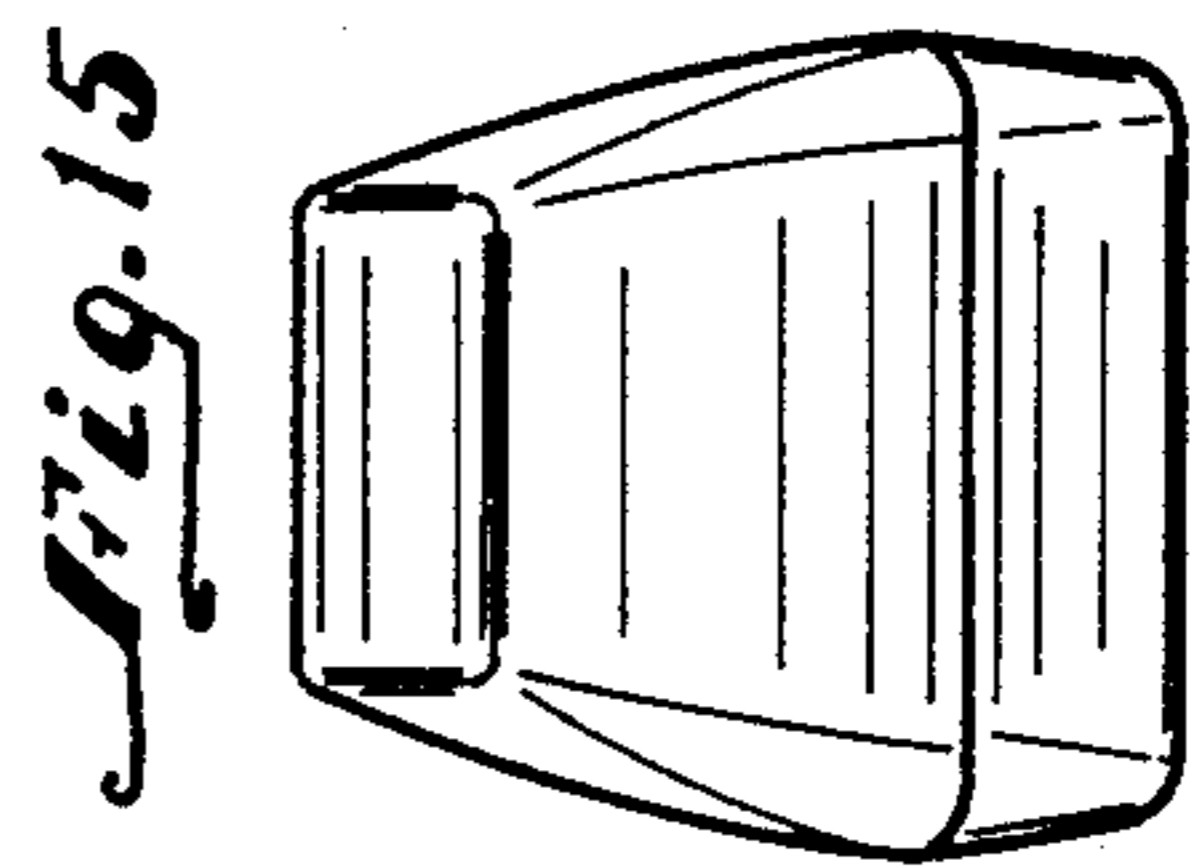
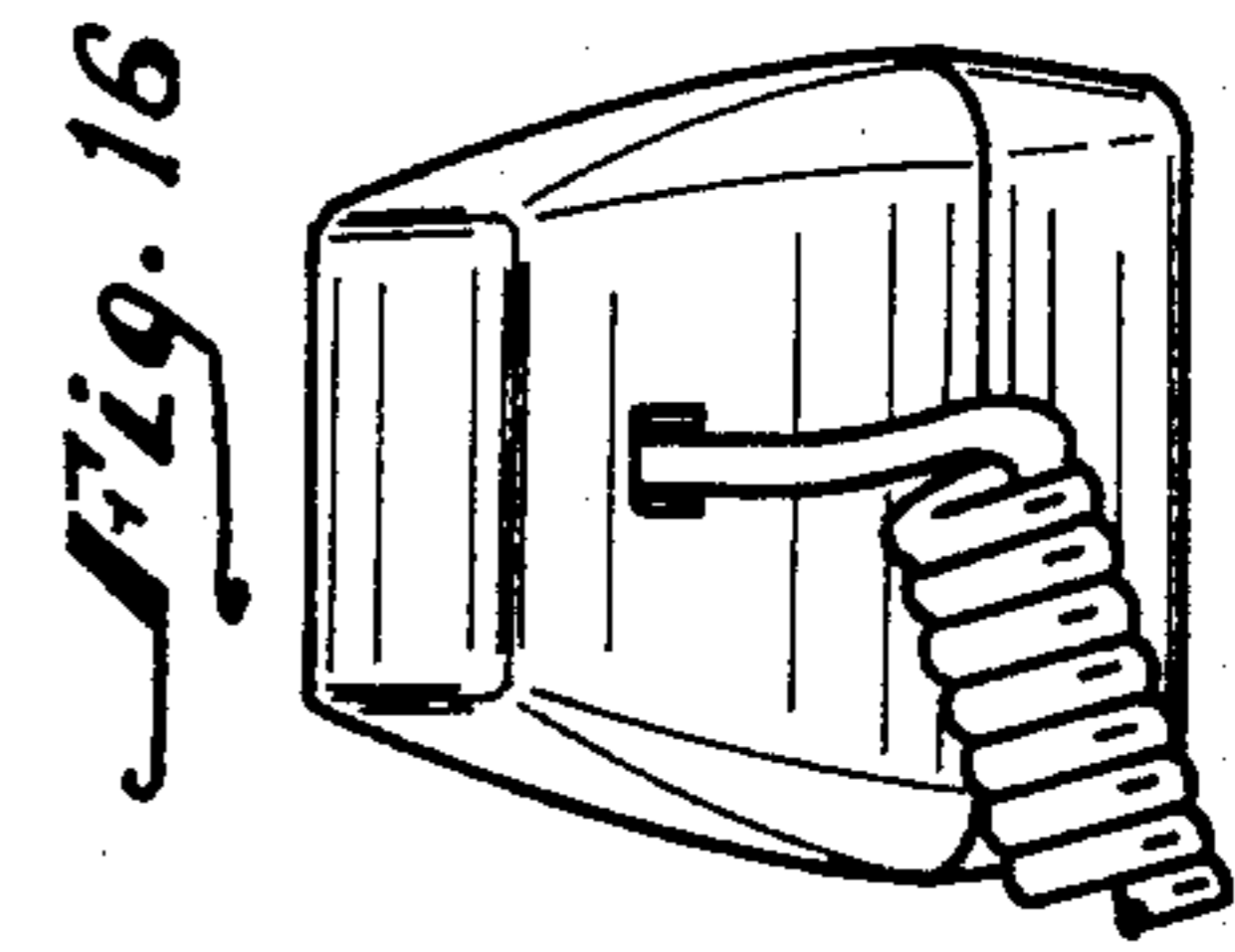
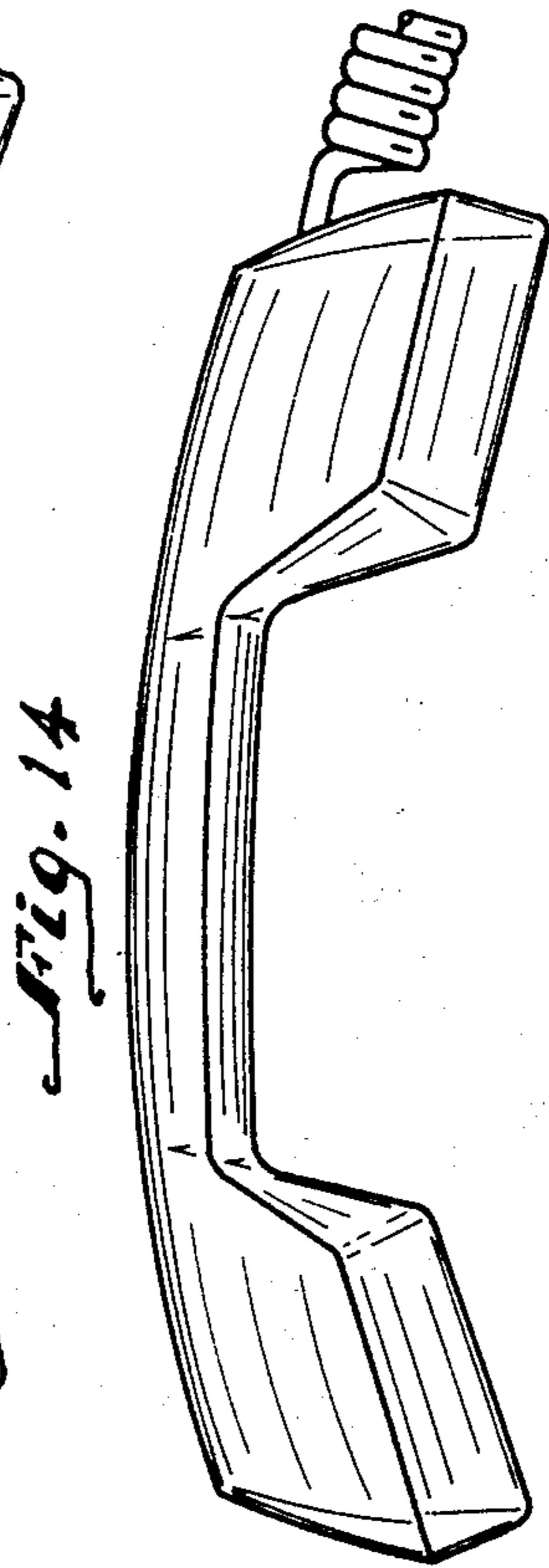
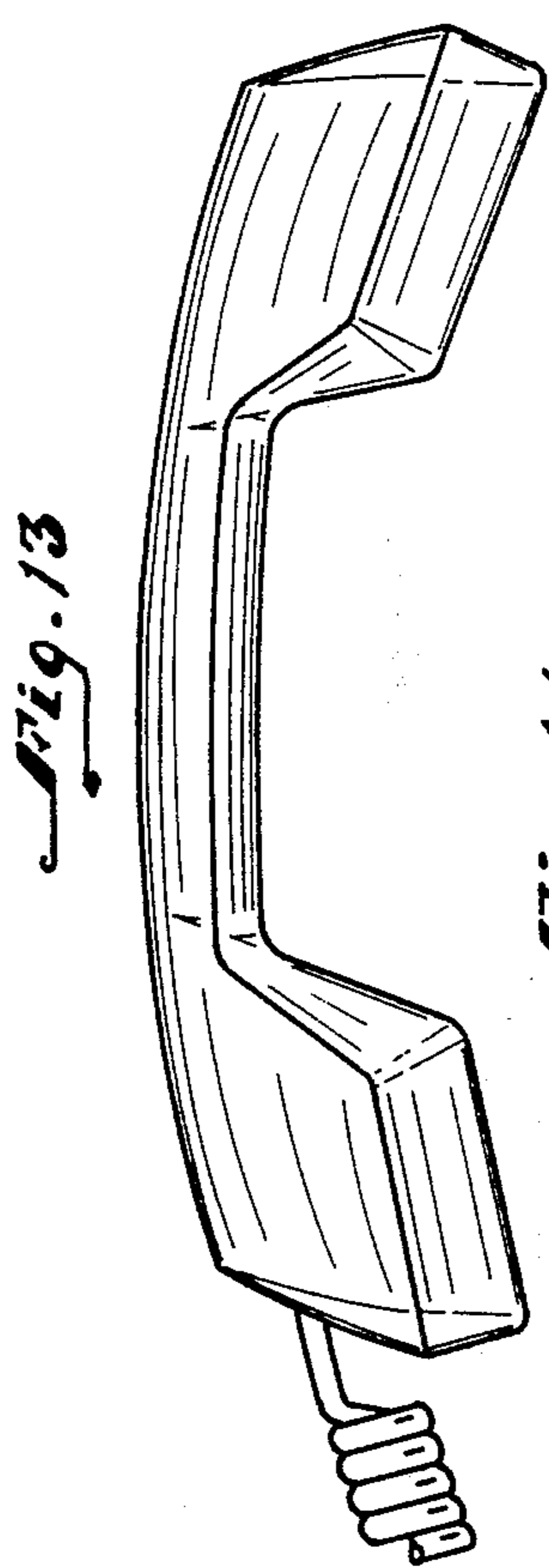


Fig. 10





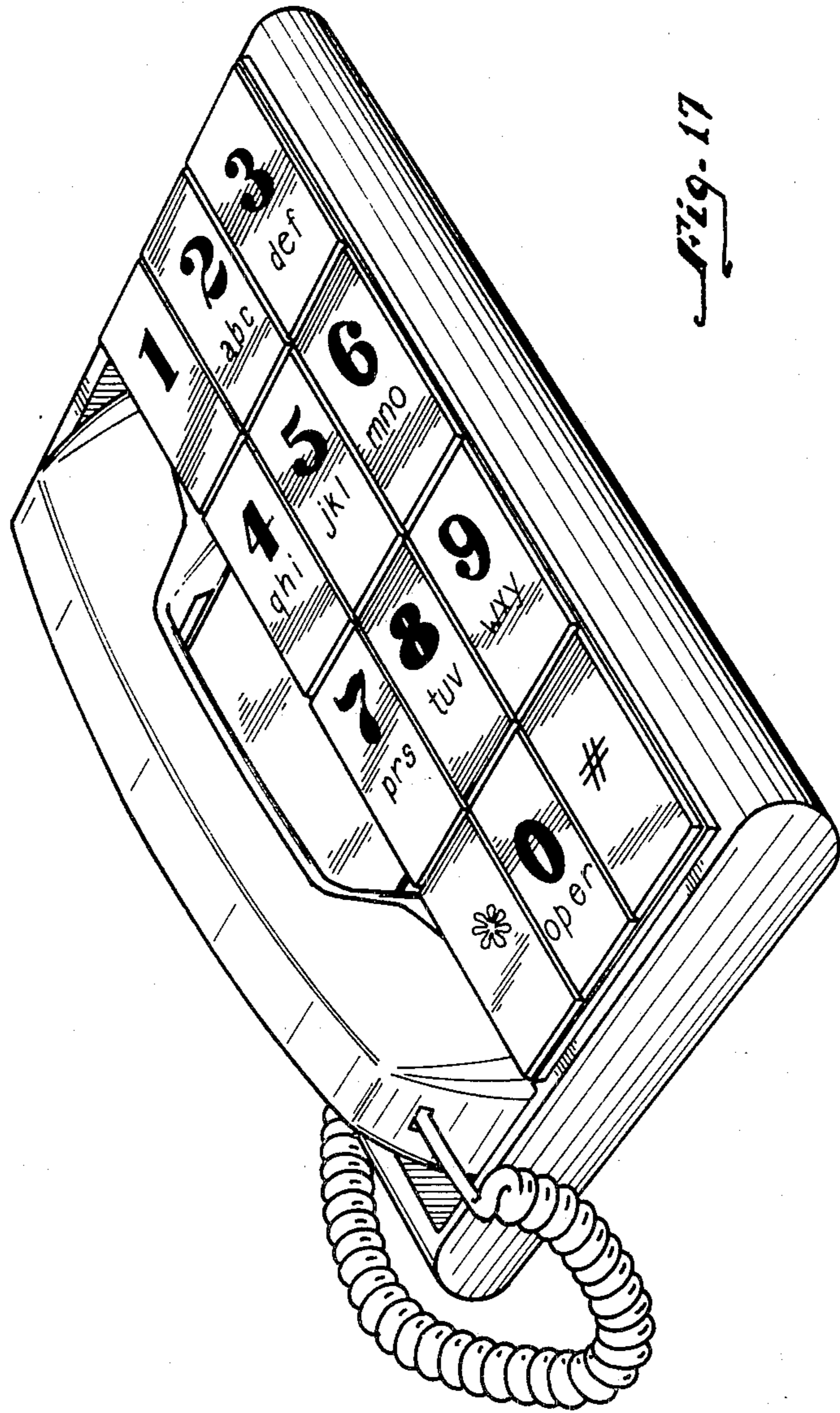


Fig. 17