

# United States Patent [19]

Challans

[11] Patent Number: **Des. 286,397**

[45] Date of Patent: **\*\* Oct. 28, 1986**

[54] **ELECTRICAL CONNECTOR SOCKET**

[75] Inventor: **John C. Challans, Kislisbury, England**

[73] Assignee: **Plessey Overseas Limited, Ilford, England**

[\*\*] Term: **14 Years**

[21] Appl. No.: **571,444**

[22] Filed: **Jan. 17, 1984**

[30] **Foreign Application Priority Data**

Jul. 20, 1983 [GB] United Kingdom ..... 1014238

[52] U.S. Cl. .... **D13/24**

[58] Field of Search ..... **D13/24-30;**  
339/91 R, 92, 107, 208, 195, 196, 186 R, 186 M

[56] **References Cited**

**U.S. PATENT DOCUMENTS**

- 1,410,651 3/1922 Caps ..... 339/196 R X
- 2,781,498 2/1957 Maly ..... 339/91 R
- 3,253,248 5/1966 Brown ..... 339/91 X

- 4,008,940 2/1977 Foley ..... 339/91 R
- 4,193,654 3/1980 Hughes et al. .... 339/91 R X
- 4,449,776 5/1984 Carino et al. .... 339/107 X

**FOREIGN PATENT DOCUMENTS**

- 4414744 10/1964 Japan ..... 339/107
- 357776 12/1961 Switzerland ..... D13/24 X

*Primary Examiner*—Susan J. Lucas

*Assistant Examiner*—C. E. Heflin

*Attorney, Agent, or Firm*—Fleit, Jacobson, Cohn & Price

[57] **CLAIM**

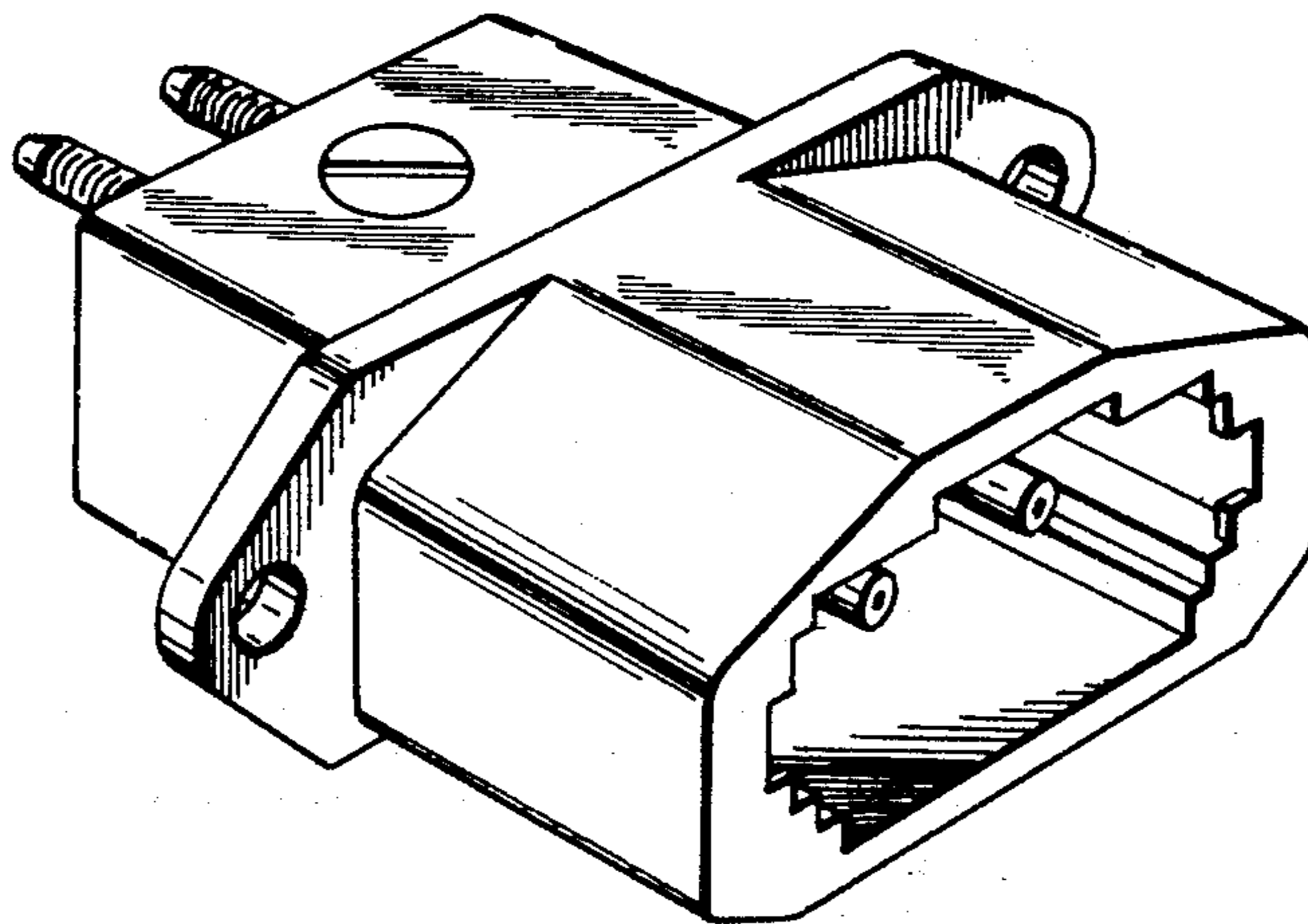
The ornamental design for an electrical connector socket, substantially as shown and described.

**DESCRIPTION**

FIG. 1 is a perspective view of the electrical connector socket taken from above and one side showing my new design;

FIG. 2 is a perspective view taken from below and the opposite side thereof; and

FIG. 3 is an enlarged end elevational view thereof. 7n The ornamental design for an electrical connector socket, substantially as shown and described.



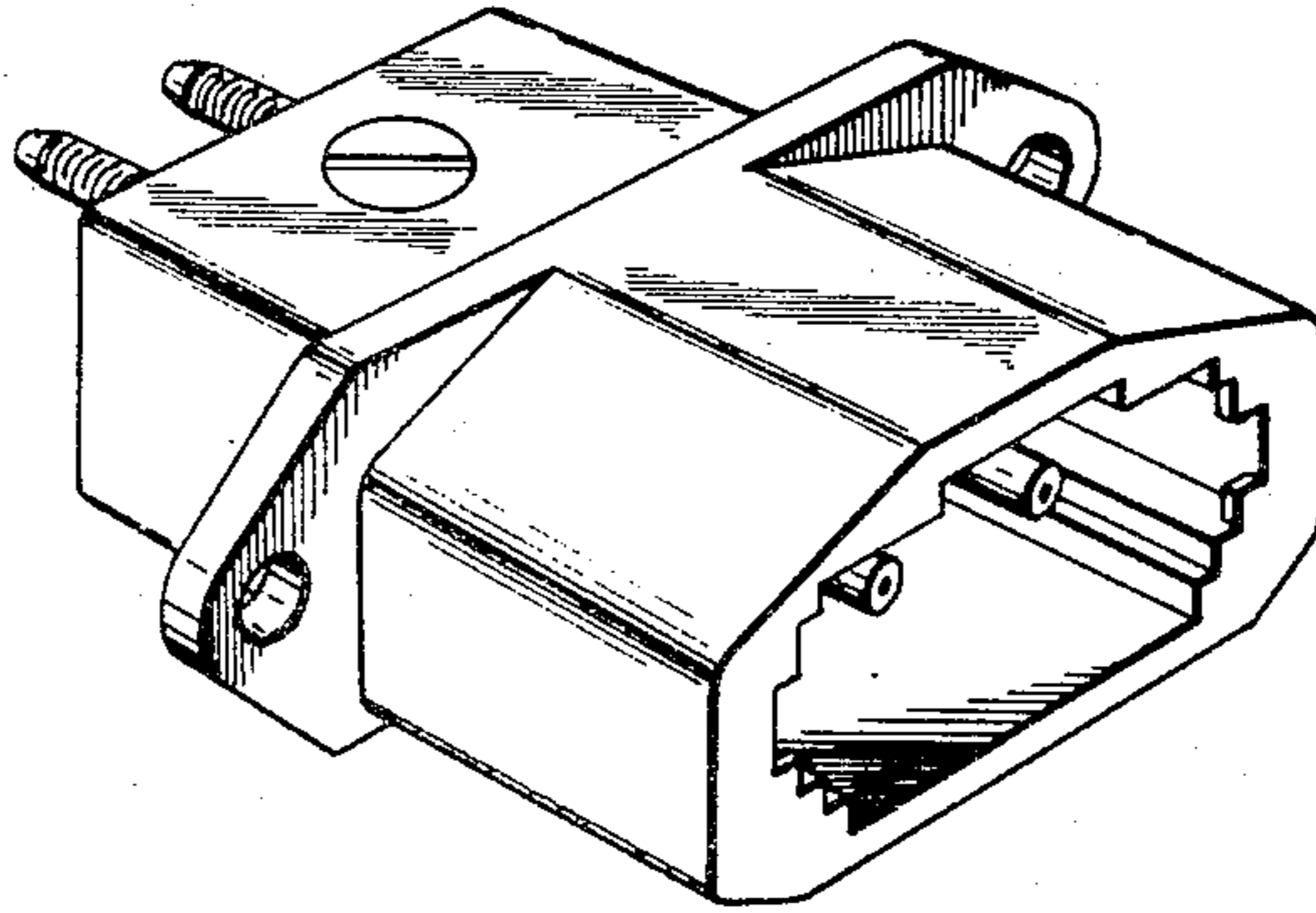


FIG. 1.

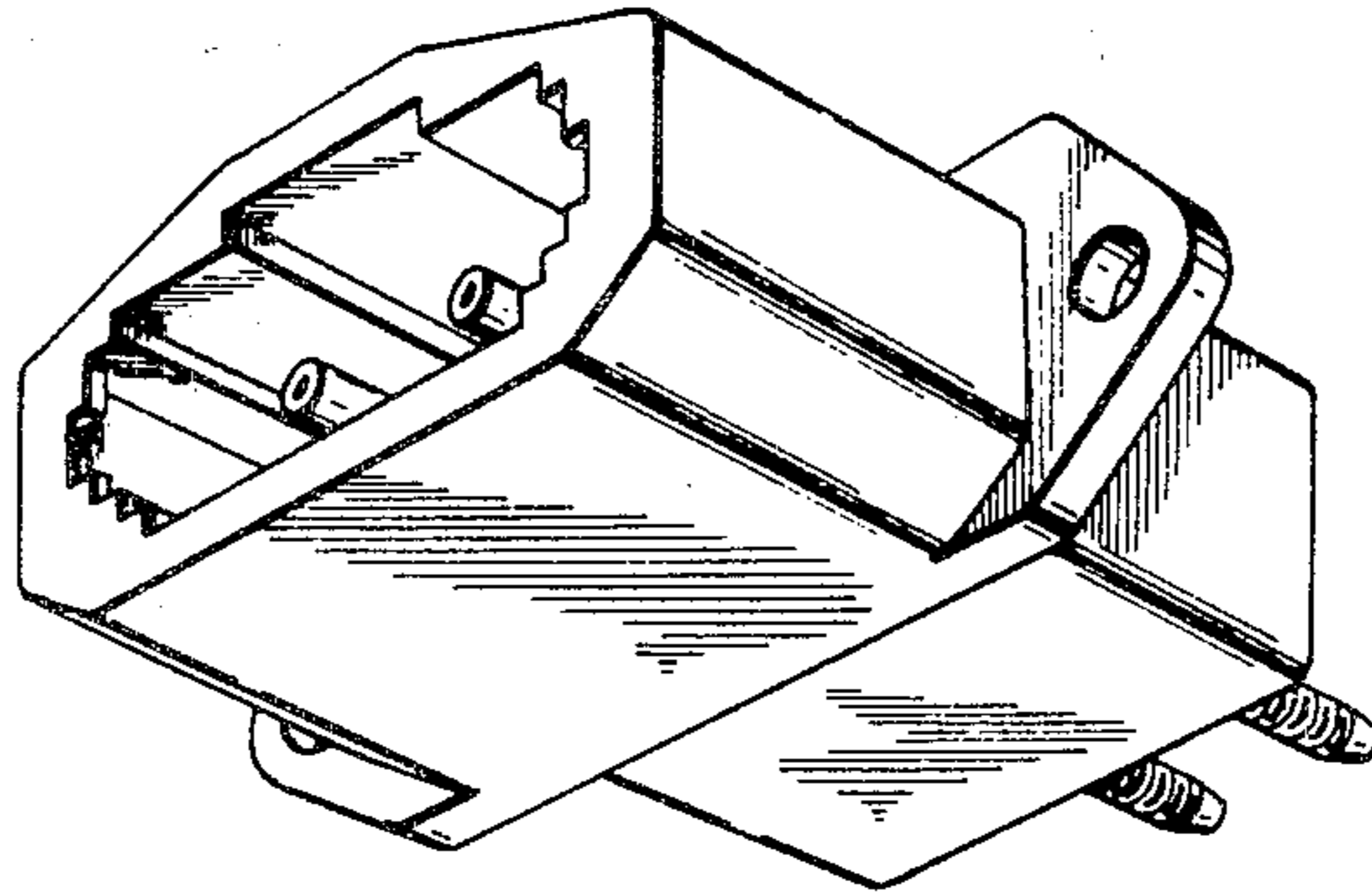


FIG. 2.

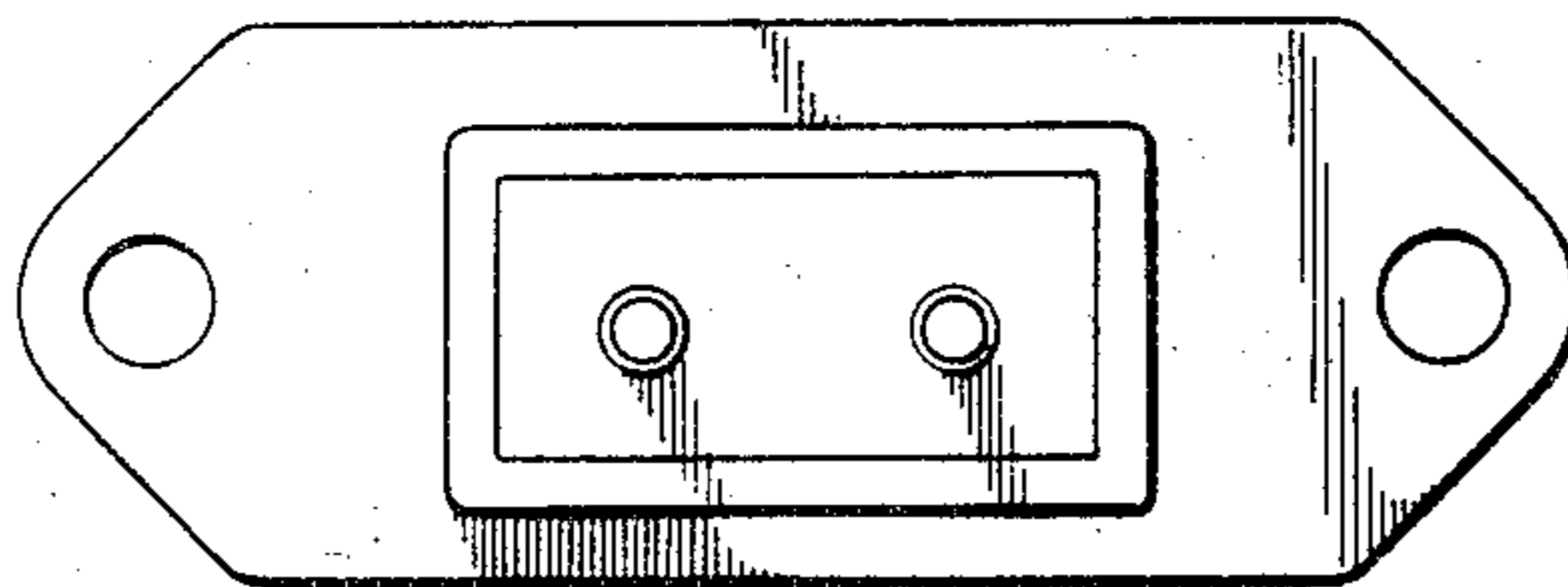


FIG. 3.