

[54] **BOTTLE OR SIMILAR ARTICLE**
[75] **Inventor: Gerard E. Lyons, Burlington, Canada**
[73] **Assignee: Polybottle, Weston, Canada**
[**] **Term: 14 Years**
[21] **Appl. No.: 632,355**
[22] **Filed: Jul. 19, 1984**
[30] **Foreign Application Priority Data**
Apr. 2, 1984 [CA] Canada 02-04-84-13
[52] **U.S. Cl. D9/370; D9/378**
[58] **Field of Search D9/378, 374, 376, 370;**
215/1 R, 1 C; 220/70

D. 256,664 9/1980 Burrington et al. D9/370
D. 258,720 3/1981 Evans et al. D9/370
D. 272,889 3/1984 Walton D9/370
4,520,936 5/1982 Lyons 220/70 X

Primary Examiner—Robert C. Spangler
Attorney, Agent, or Firm—Rogers, Bereskin & Parr

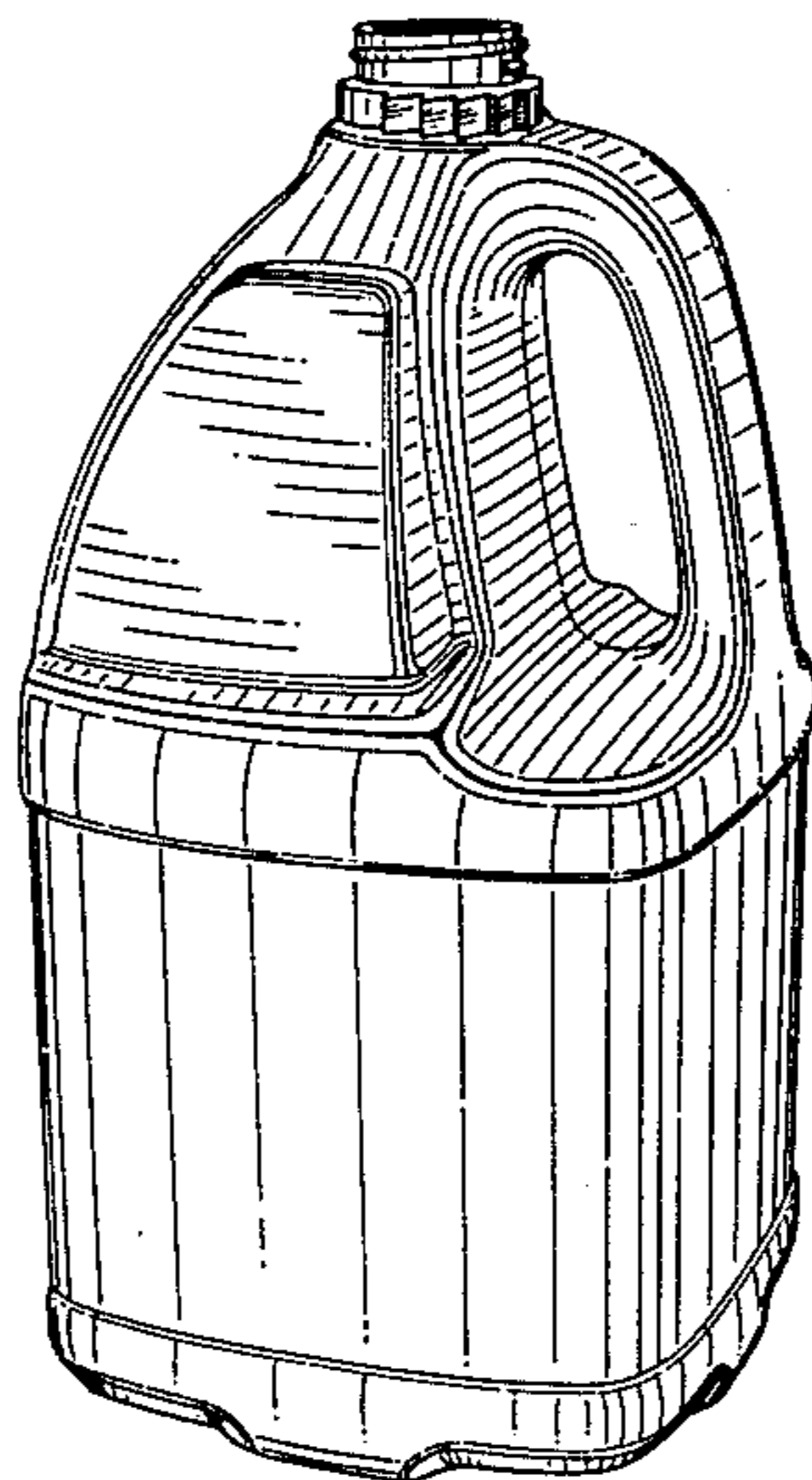
[57] **CLAIM**

The ornamental design for a bottle or similar article, as shown.

DESCRIPTION

FIG. 1 is a top, front perspective view of a bottle or similar article showing my new design;
FIG. 2 is a bottom, rear perspective view showing the side not seen in FIG. 1;
FIG. 3 is an elevational view showing the side with the handle;
FIG. 4 is an elevational view showing the side opposite that seen in FIG. 3;
FIG. 5 is a top plan view; and
FIG. 6 is a bottom plan view thereof.

[56] **References Cited**
U.S. PATENT DOCUMENTS
D. 200,013 1/1965 Lorenzen D9/376
D. 221,514 8/1971 Leary et al. D9/376
D. 250,995 2/1979 Beaver D9/376



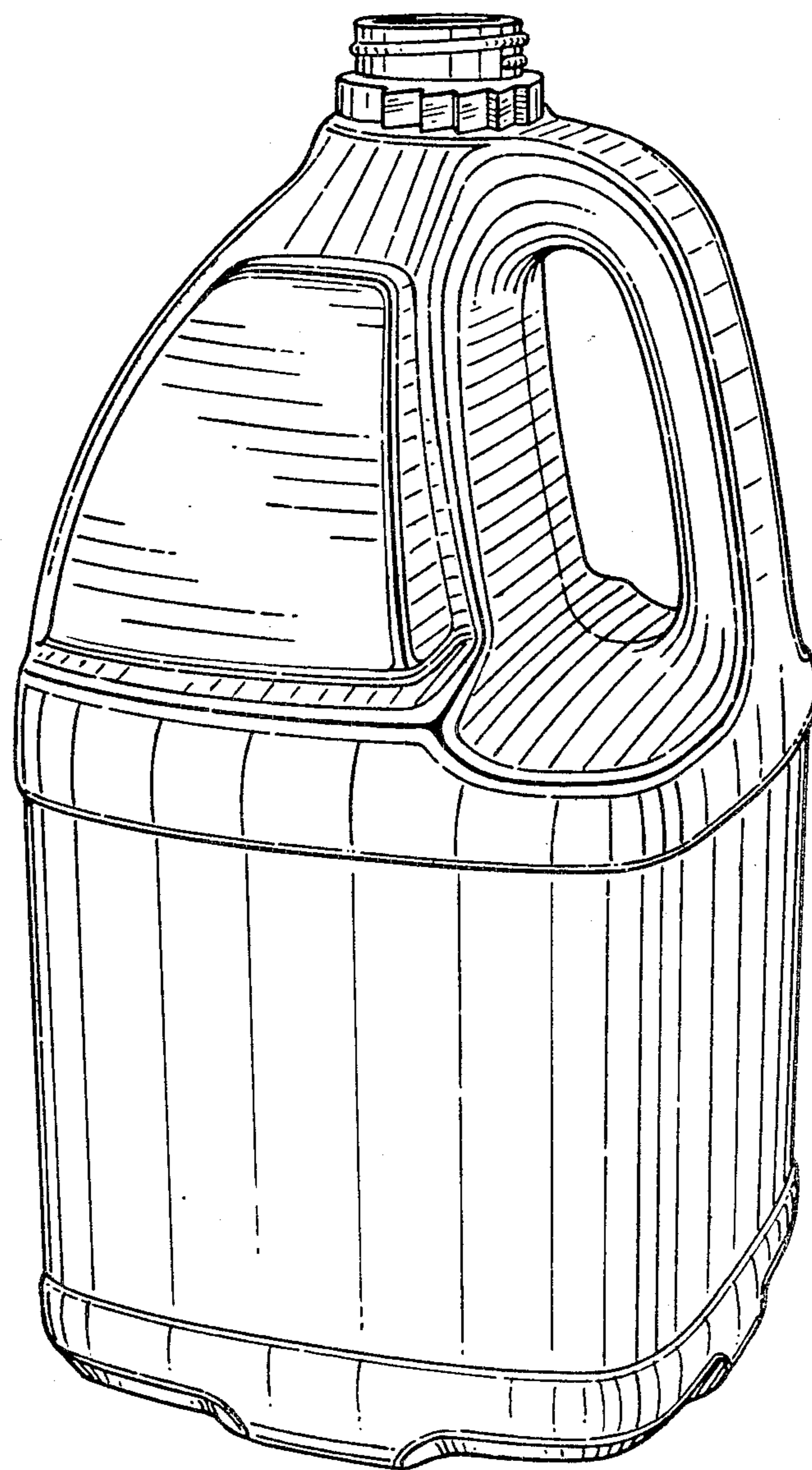


FIG. 1

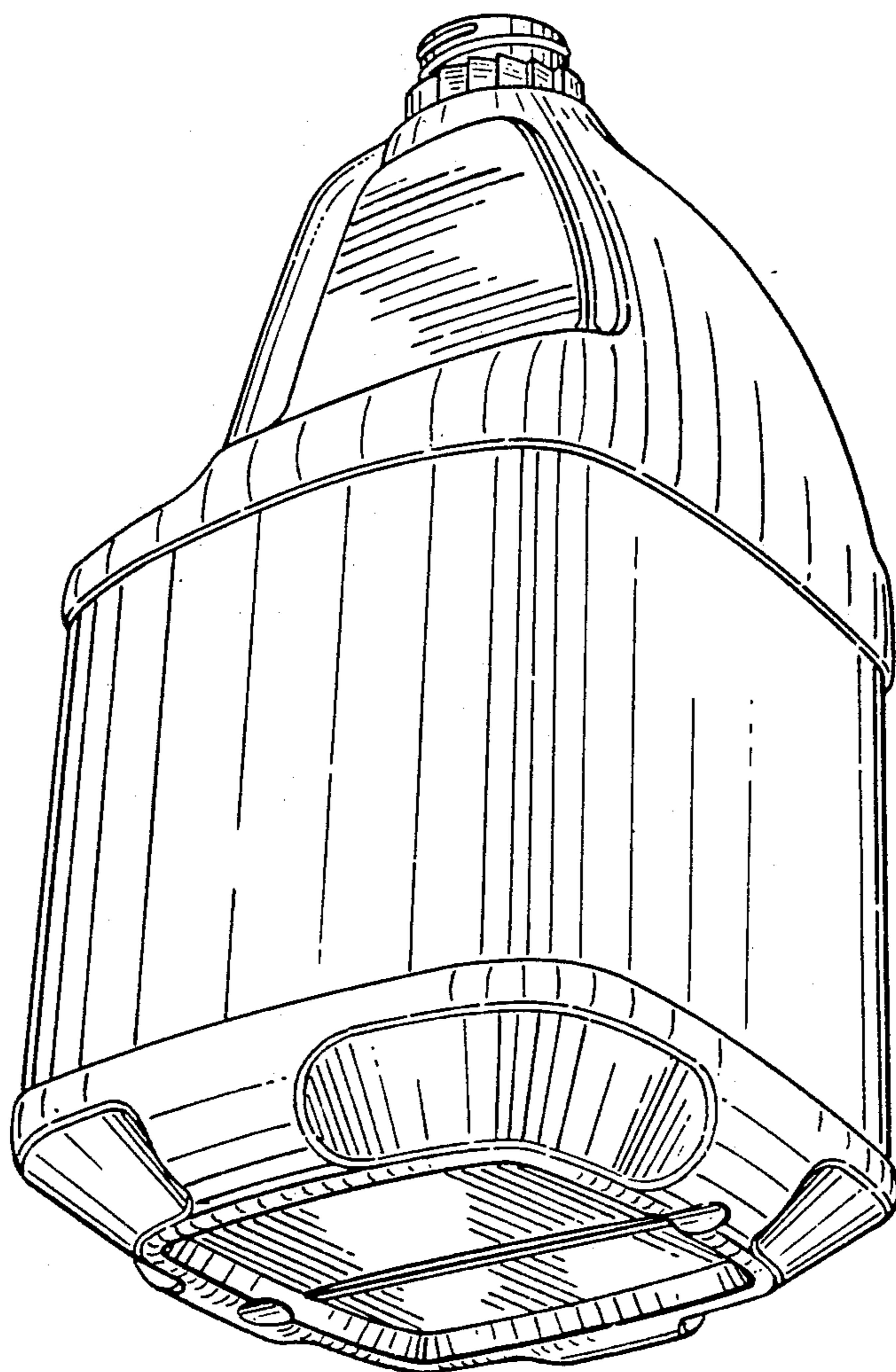


FIG. 2

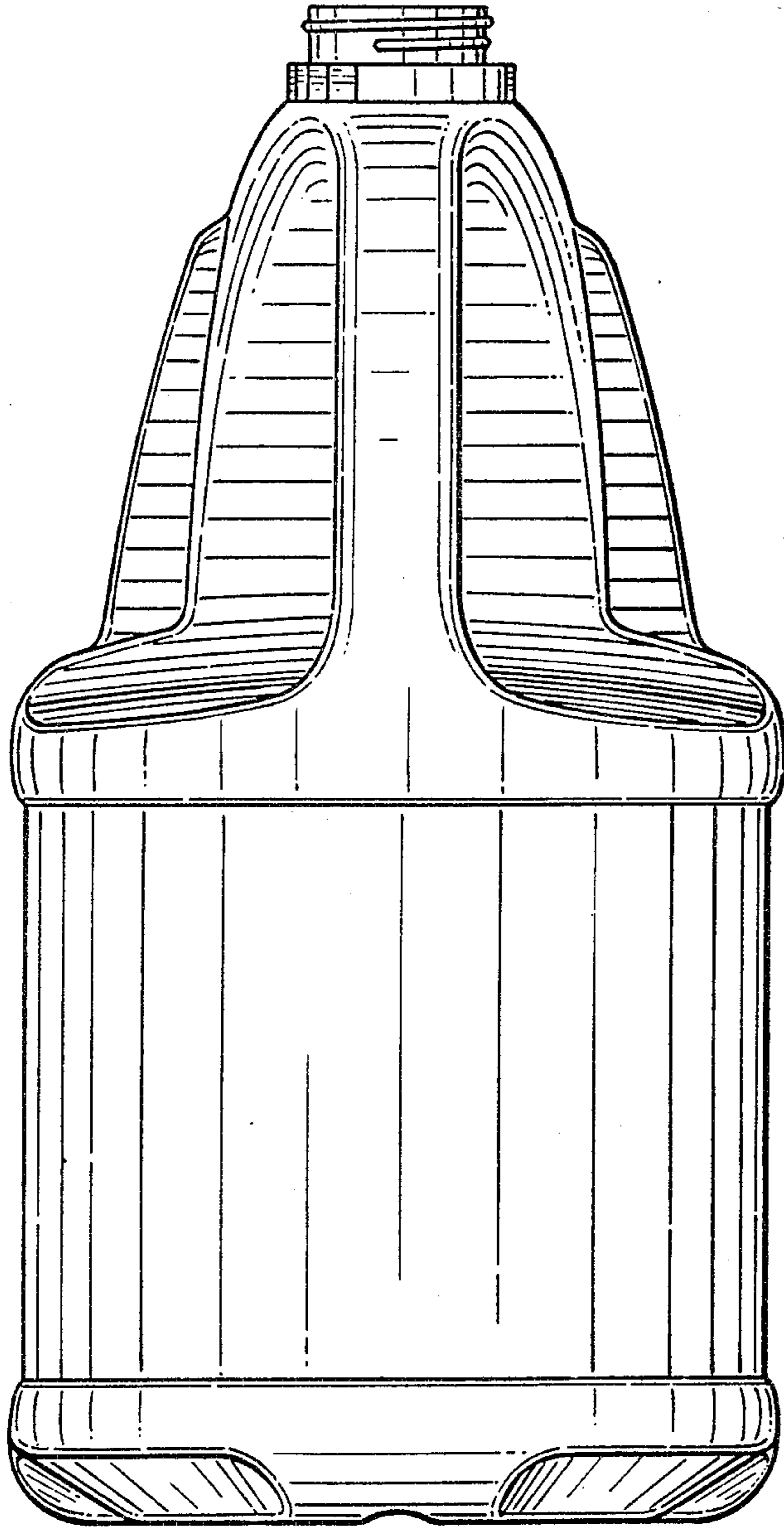


FIG. 3

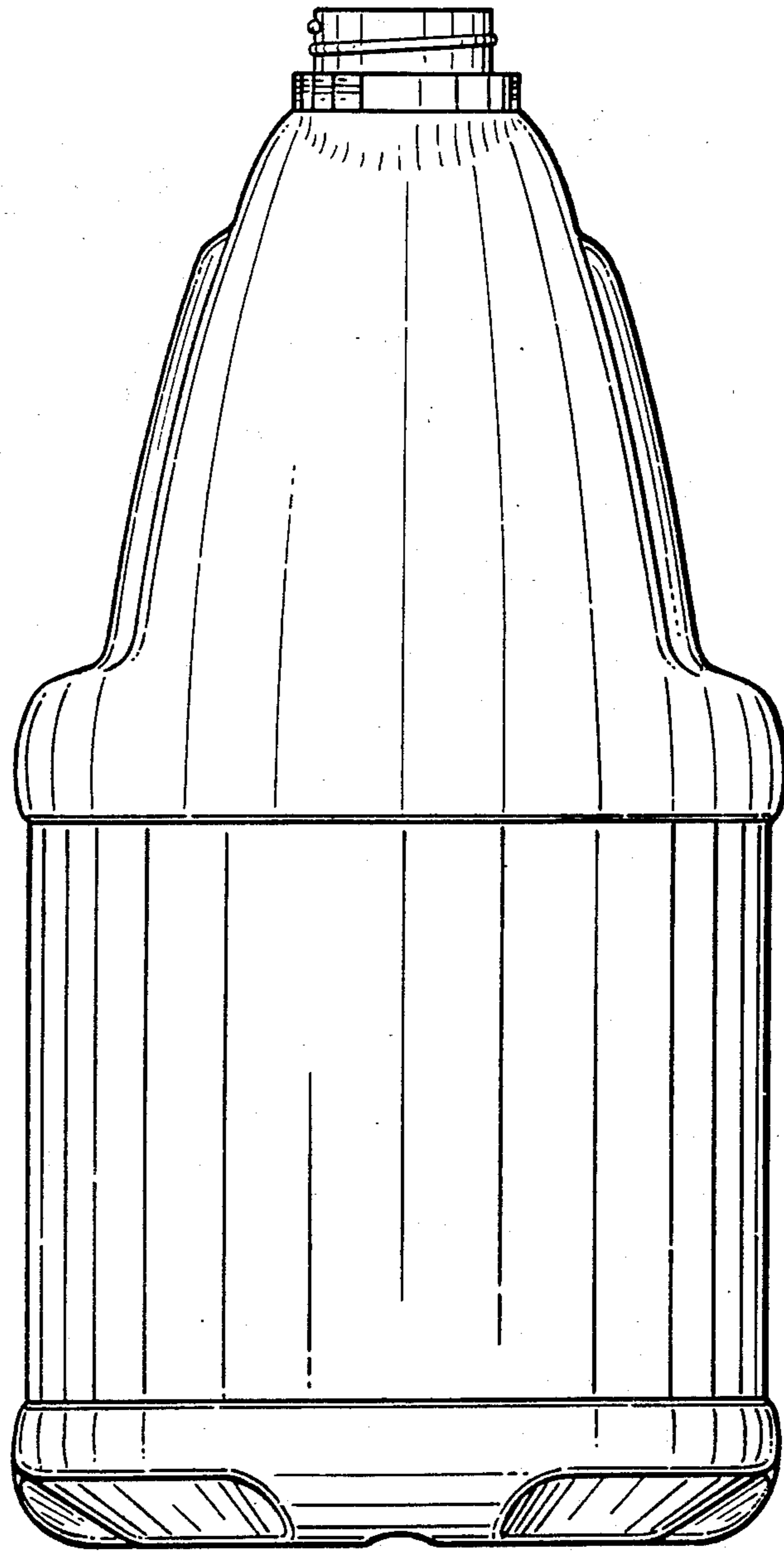


FIG. 4

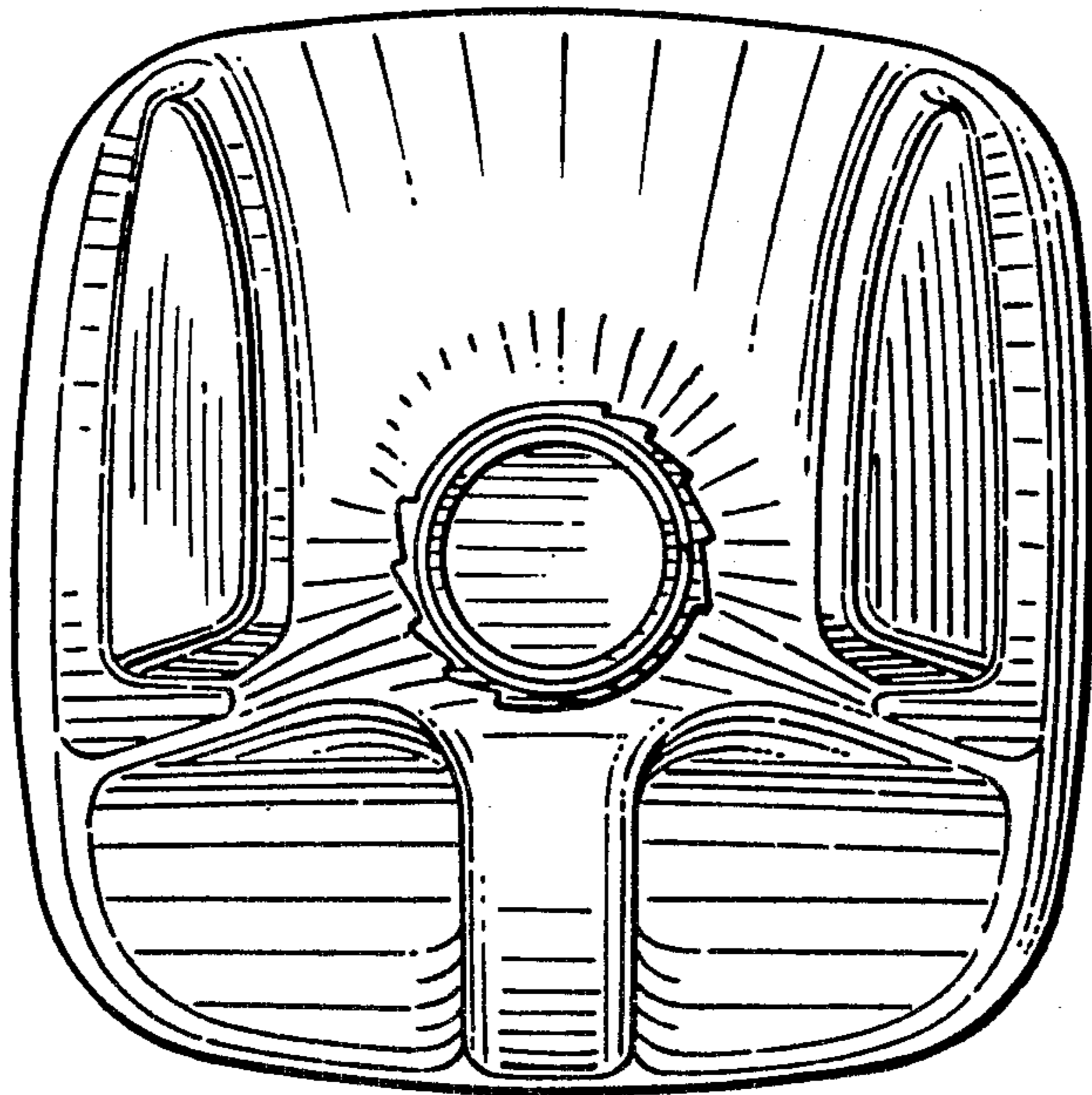


FIG. 5

FIG. 6

