

[54] LOTION DISPENSING BOTTLE

[76] Inventor: Vanda J. Bussell, 283 Nottingham Rd., Ramsey, N.J. 07446

[**] Term: 14 Years

[21] Appl. No.: 625,732

[22] Filed: Jun. 28, 1984

[52] U.S. Cl. D9/300; D9/398; D9/410; D9/448

[58] Field of Search D6/542, 545; D9/300, D9/398, 410, 448

[56] References Cited

U.S. PATENT DOCUMENTS

D. 124,920	1/1941	Heuisler, Jr.	D9/410
D. 209,714	12/1967	Evans	D9/398
D. 215,667	10/1969	Kane	D6/545
D. 247,940	5/1978	Tobin	D6/542
D. 257,427	10/1980	Cooke et al.	D9/398
D. 276,285	11/1984	Tober et al.	D9/398

OTHER PUBLICATIONS

Linens, Domestics and Bath, 8/1983, p. 39, Bottle in upper right corner.

Package Engineering, 6/1982, p. 115, Bottle-White, located on bottom of page.

Crystal Touch-Oxford Bath Products, 8/1981, p. 1 Bottle, located upper left side of page.

Primary Examiner—Wallace R. Burke

Assistant Examiner—Suzanne N. Gitlin

Attorney, Agent, or Firm—Joseph A. Giampapa; Melvin K. Silverman

[57] CLAIM

The ornamental design for a lotion dispensing bottle, as shown and described.

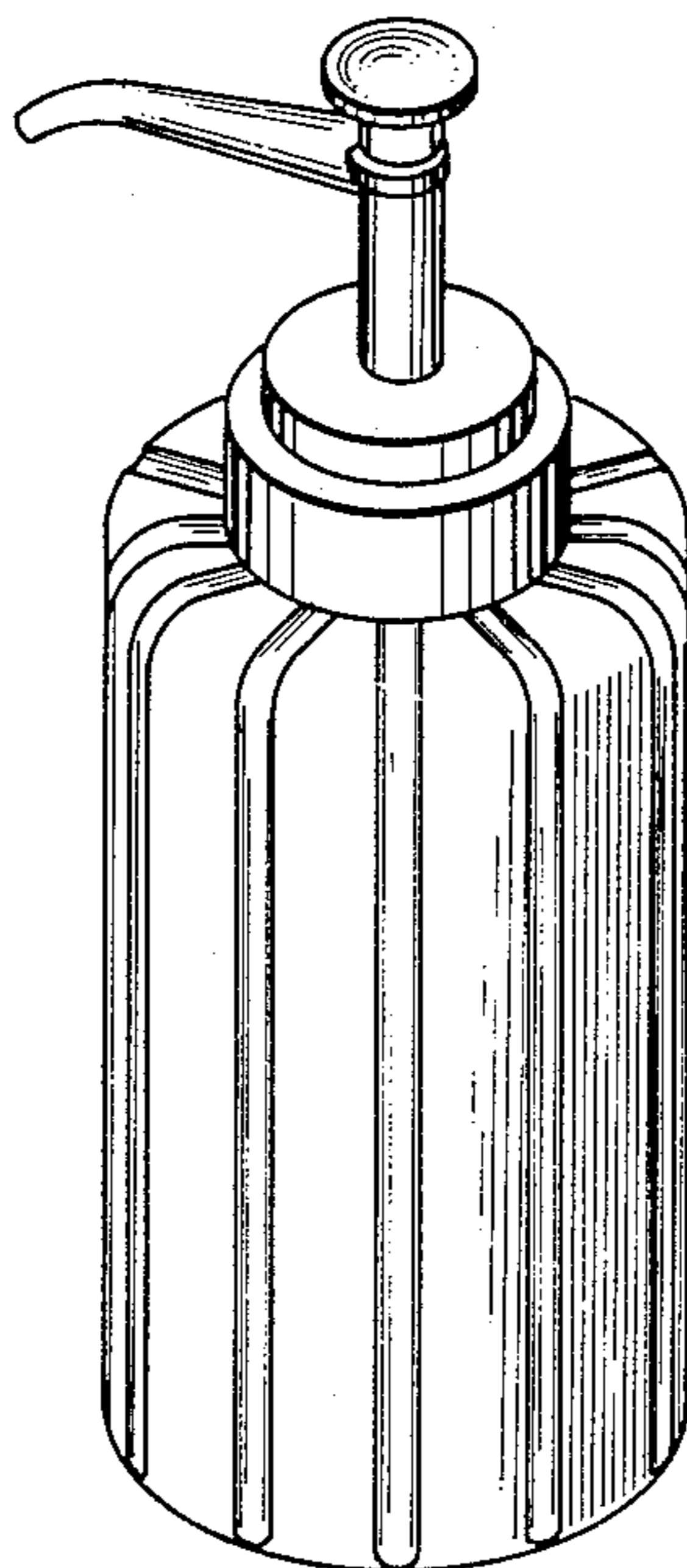
DESCRIPTION

FIG. 1 is a perspective view of a lotion dispensing bottle showing my new design;

FIG. 2 is a side elevational view thereof;

FIG. 3 is a top plan view thereof;

FIG. 4 is a bottom plan view thereof.



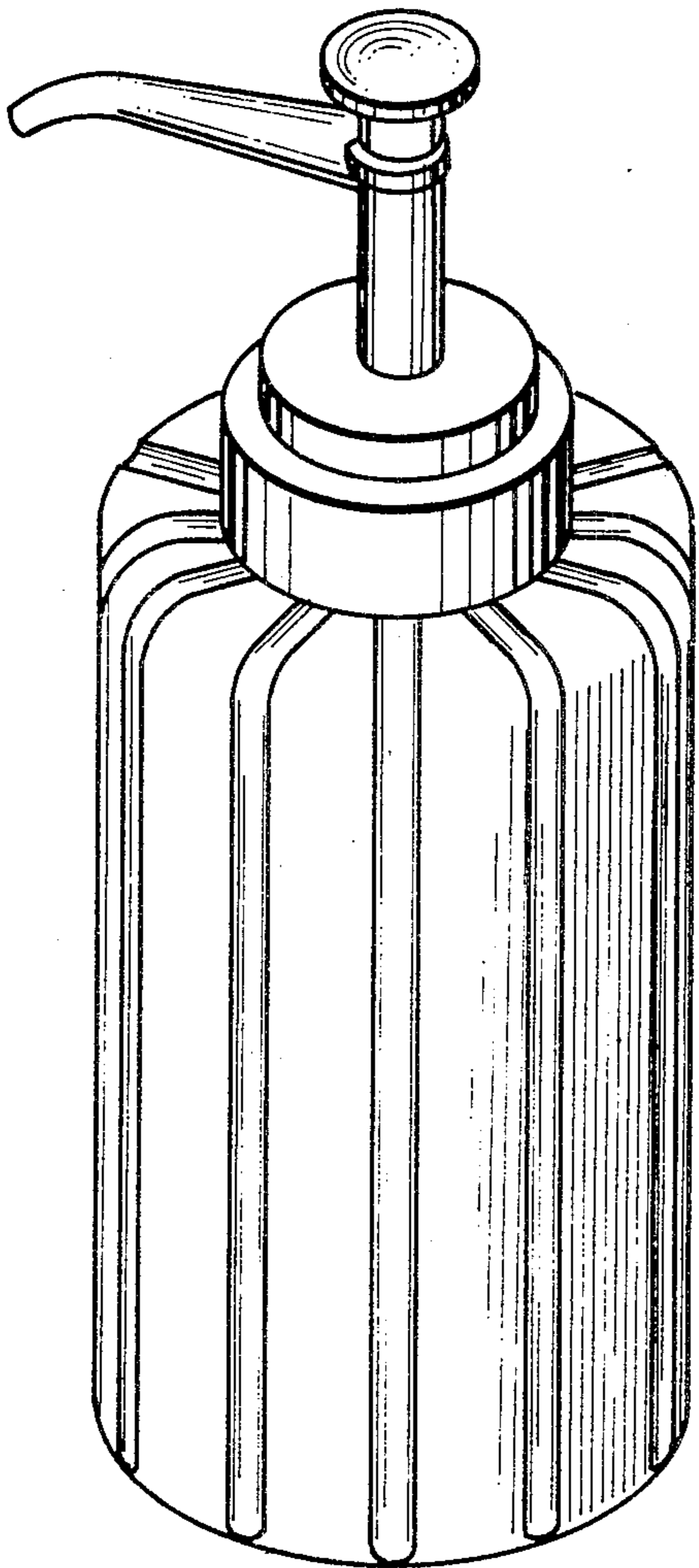


Fig. 1

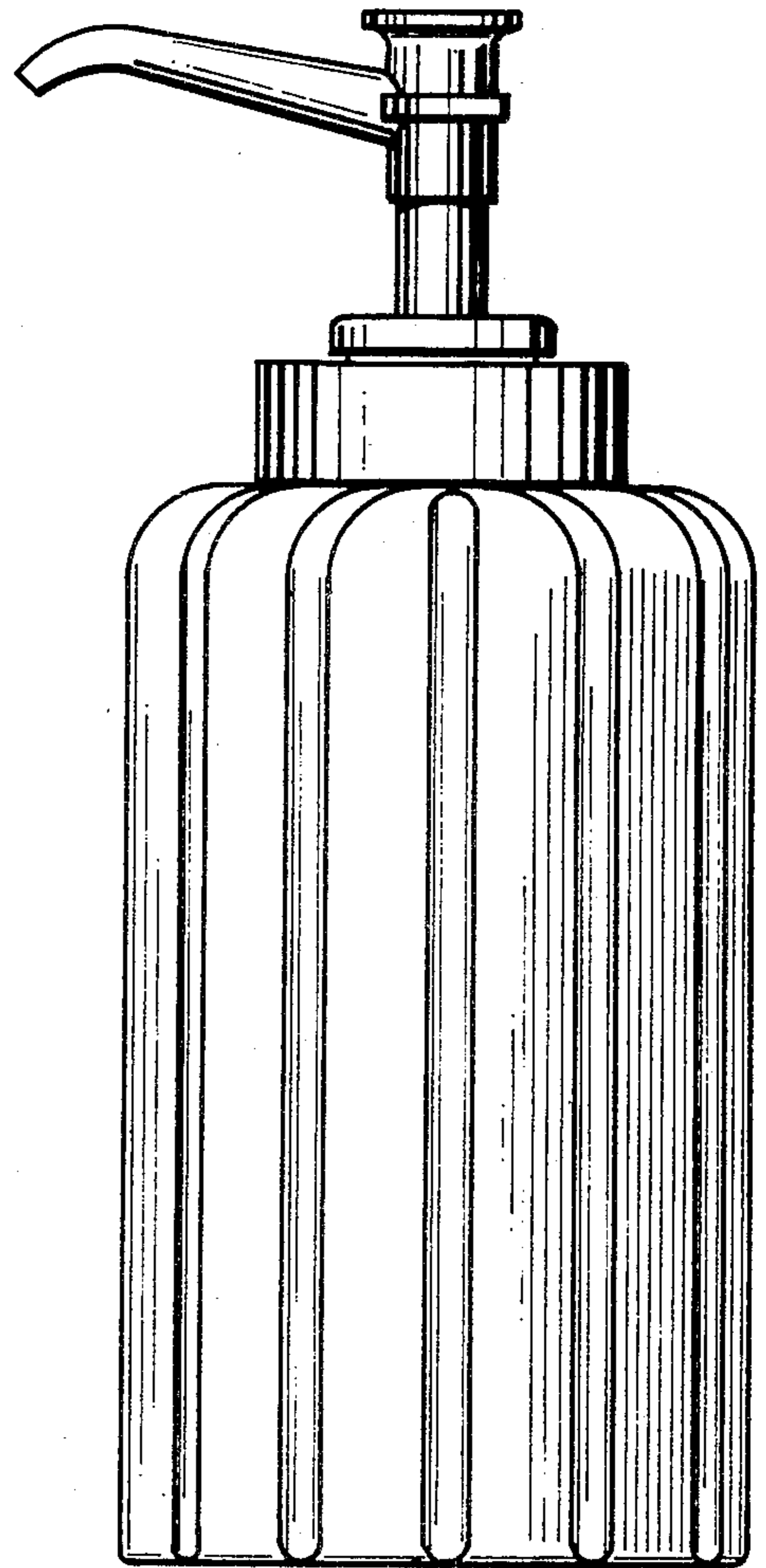


Fig. 2

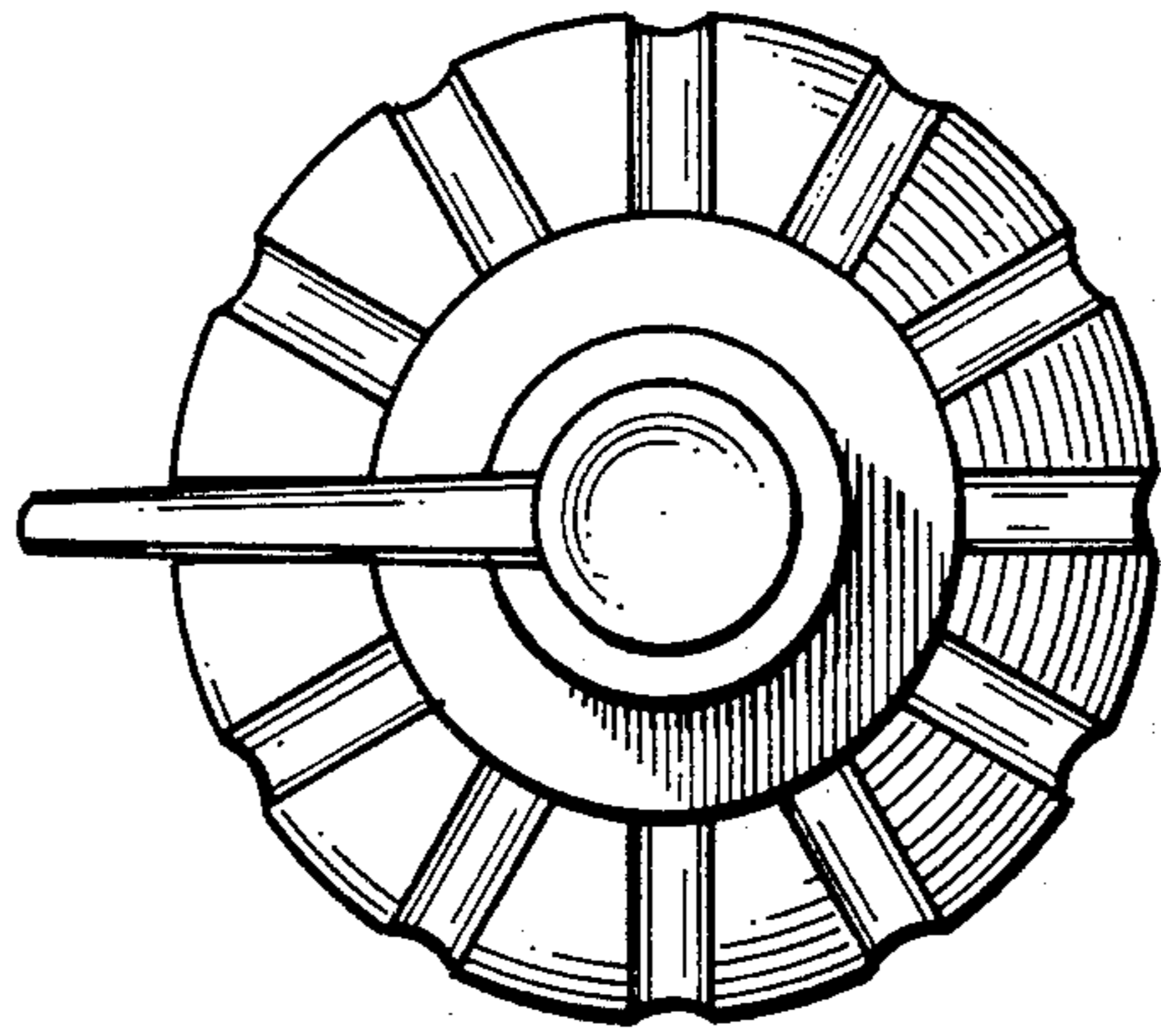


Fig. 3

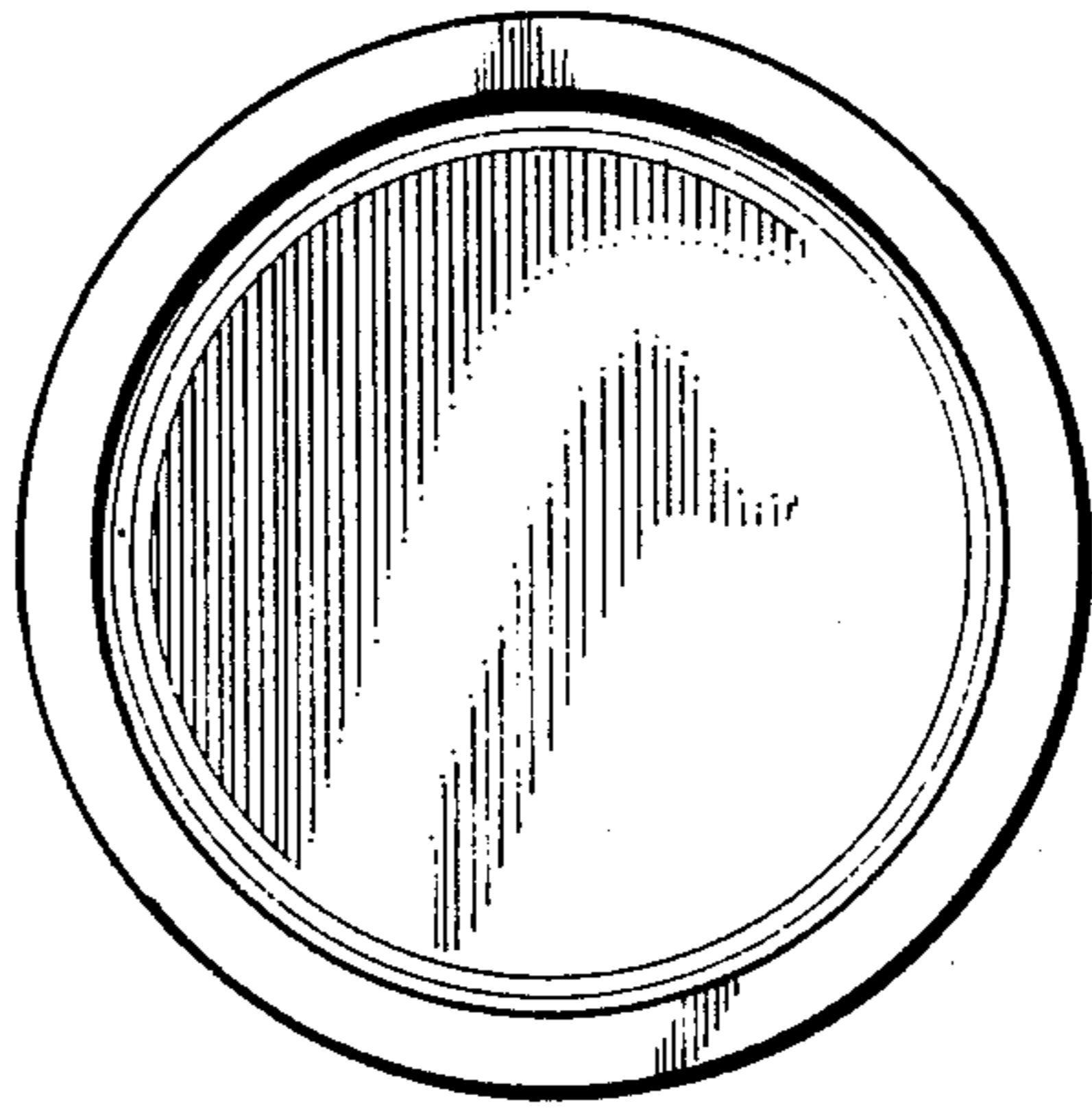


Fig. 4