

[54] SCREW

[75] Inventor: Royce W. Hill, Flippin, Ark.

[73] Assignee: Ark-Plas Products Inc., Flippin, Ark.

[**] Term: 14 Years

[21] Appl. No.: 687,029

[22] Filed: Dec. 28, 1984

[52] U.S. Cl. D8/387

[58] Field of Search D8/382, 387; 411/337,
411/378, 387, 402, 403, 404

[56] References Cited

U.S. PATENT DOCUMENTS

D. 51,204	8/1917	Hemenway	D8/387
D. 87,595	8/1932	Rosenberg	D8/387
D. 223,560	5/1972	Hirata	D8/387
D. 243,154	1/1977	Dieme	D8/387
1,934,752	11/1933	Wilcox	411/378
2,120,061	6/1938	Blakeslee	411/378

FOREIGN PATENT DOCUMENTS

0405795	1/1910	France	411/403
0001585	of 1911	United Kingdom	411/378

Primary Examiner—B. J. Bullock
Attorney, Agent, or Firm—Stephen D. Carver

[57] CLAIM

The ornamental design for a screw, as shown and described.

DESCRIPTION

FIG. 1 is an isometric perspective view of a screw showing my new design;
FIG. 2 is a top plan view thereof;
FIG. 3 is a bottom plan view thereof;
FIG. 4 is a front view thereof;
FIG. 5 is a left side view thereof;
FIG. 6 is a right side view thereof;
FIG. 7 is a rear view thereof;
FIG. 8 is a fragmentary sectional view taken generally along line 8—8 of FIG. 2 in the direction of the arrows; and,
FIG. 9 is a fragmentary sectional view taken generally along line 9—9 of FIG. 2 in the direction of the arrows.

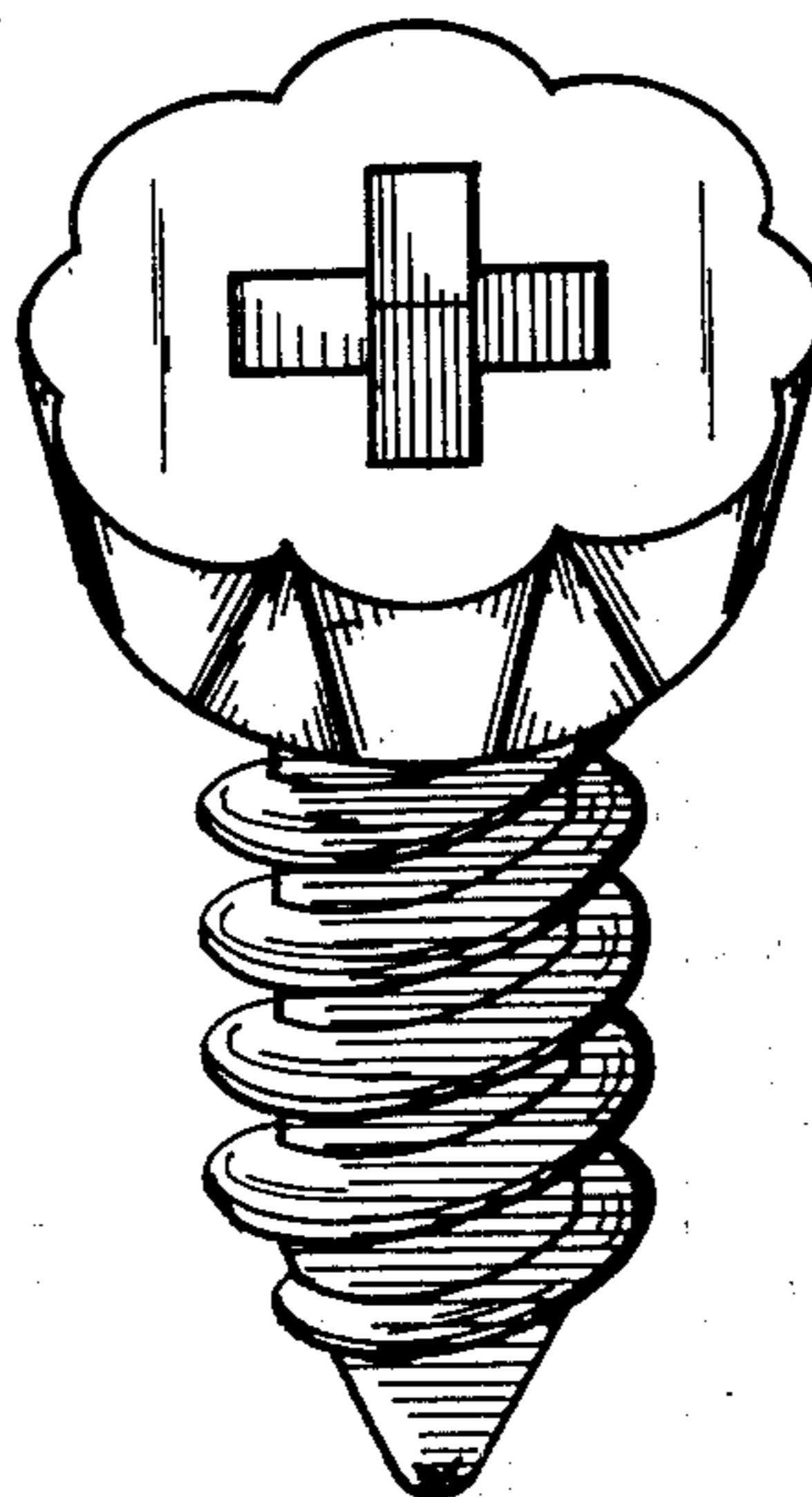


FIG. 2

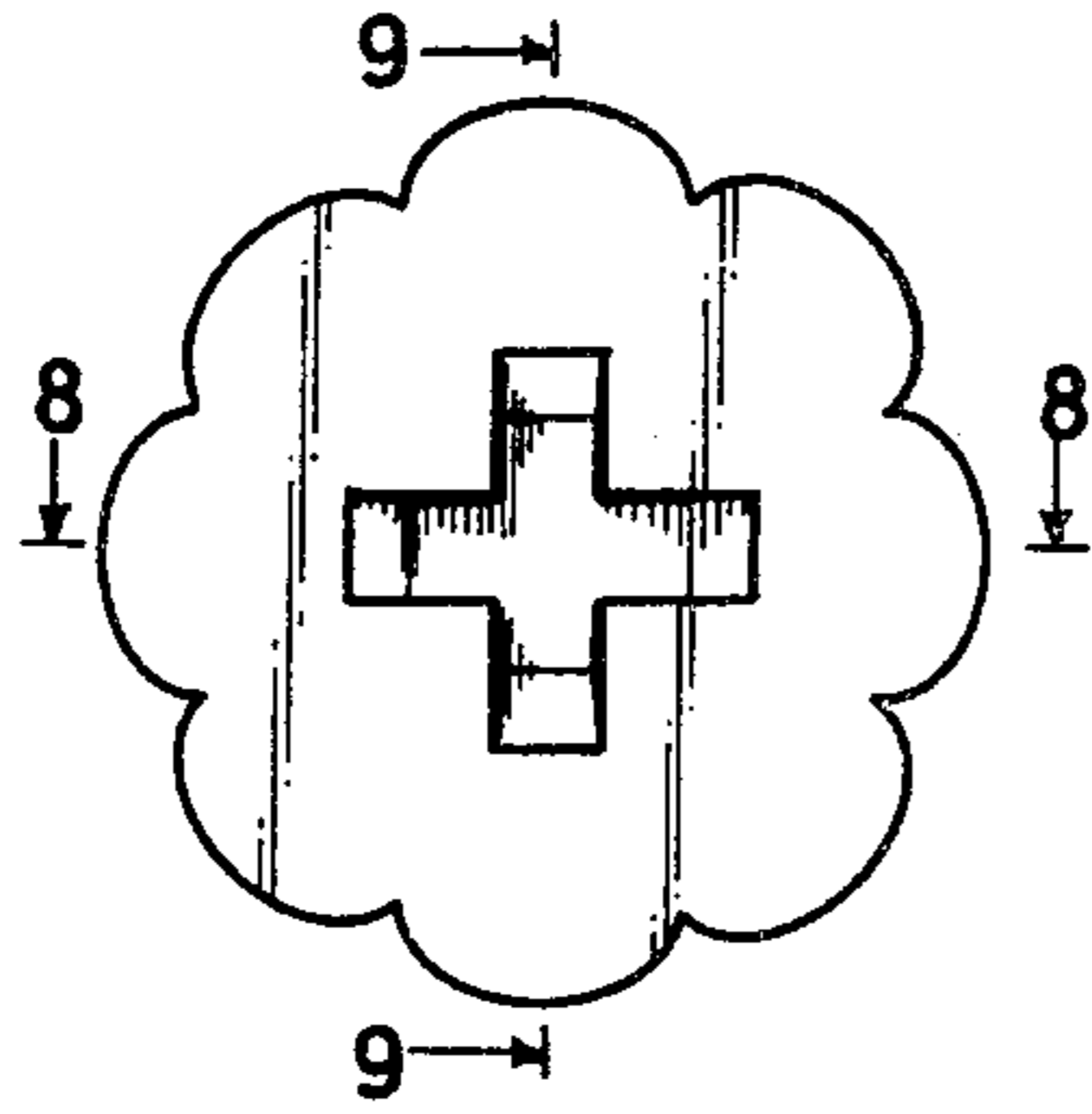


FIG. 3

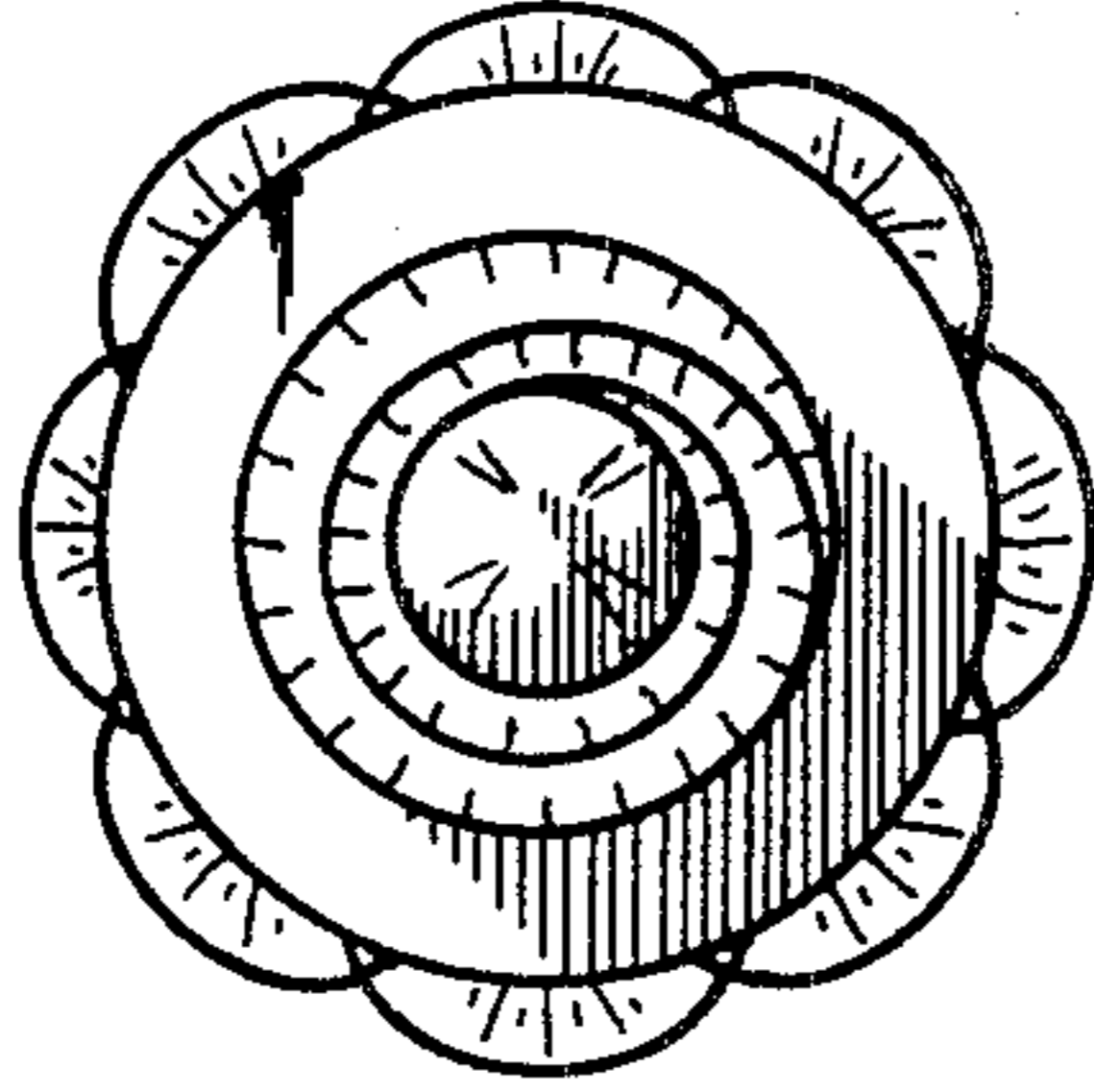


FIG. 1

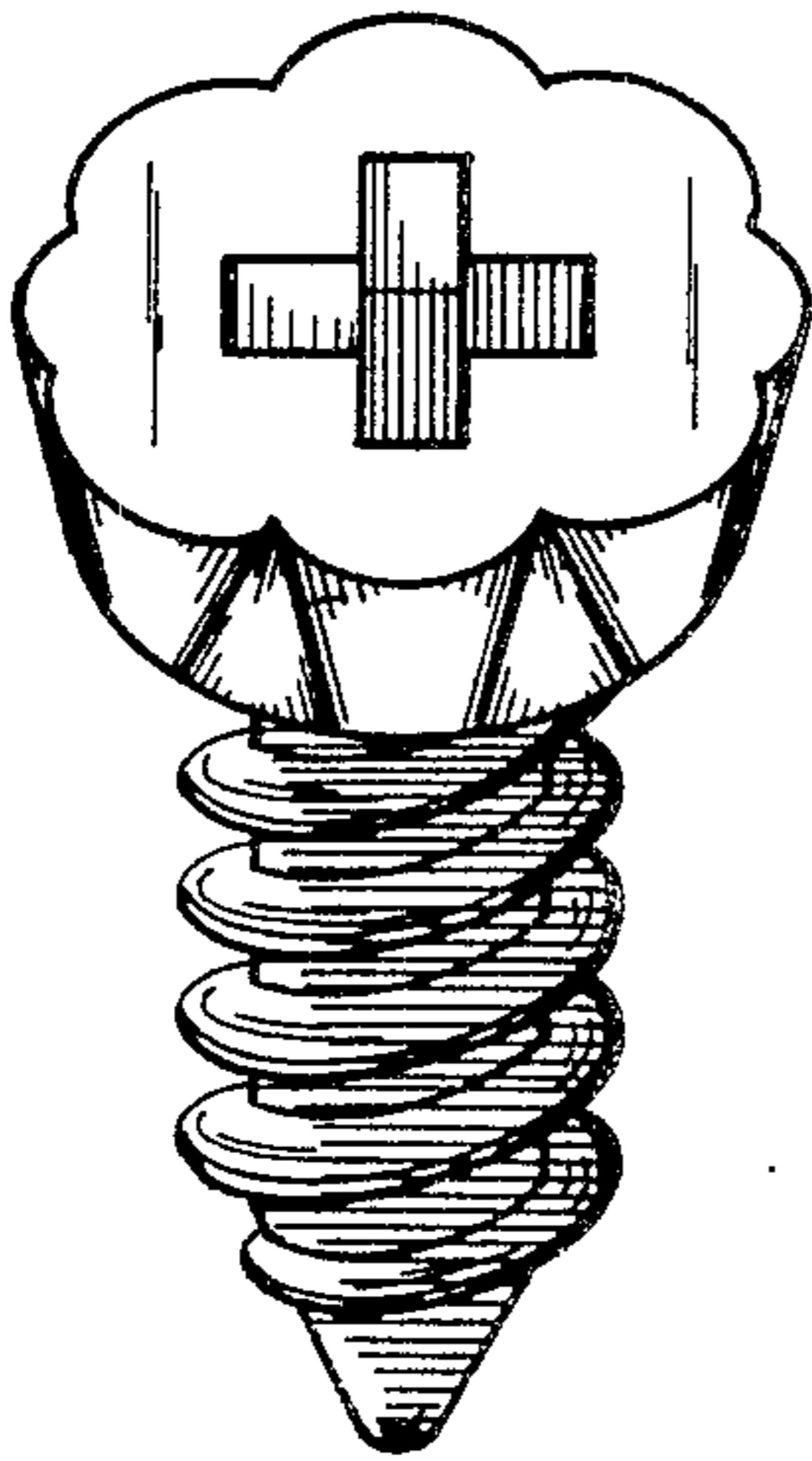


FIG. 5

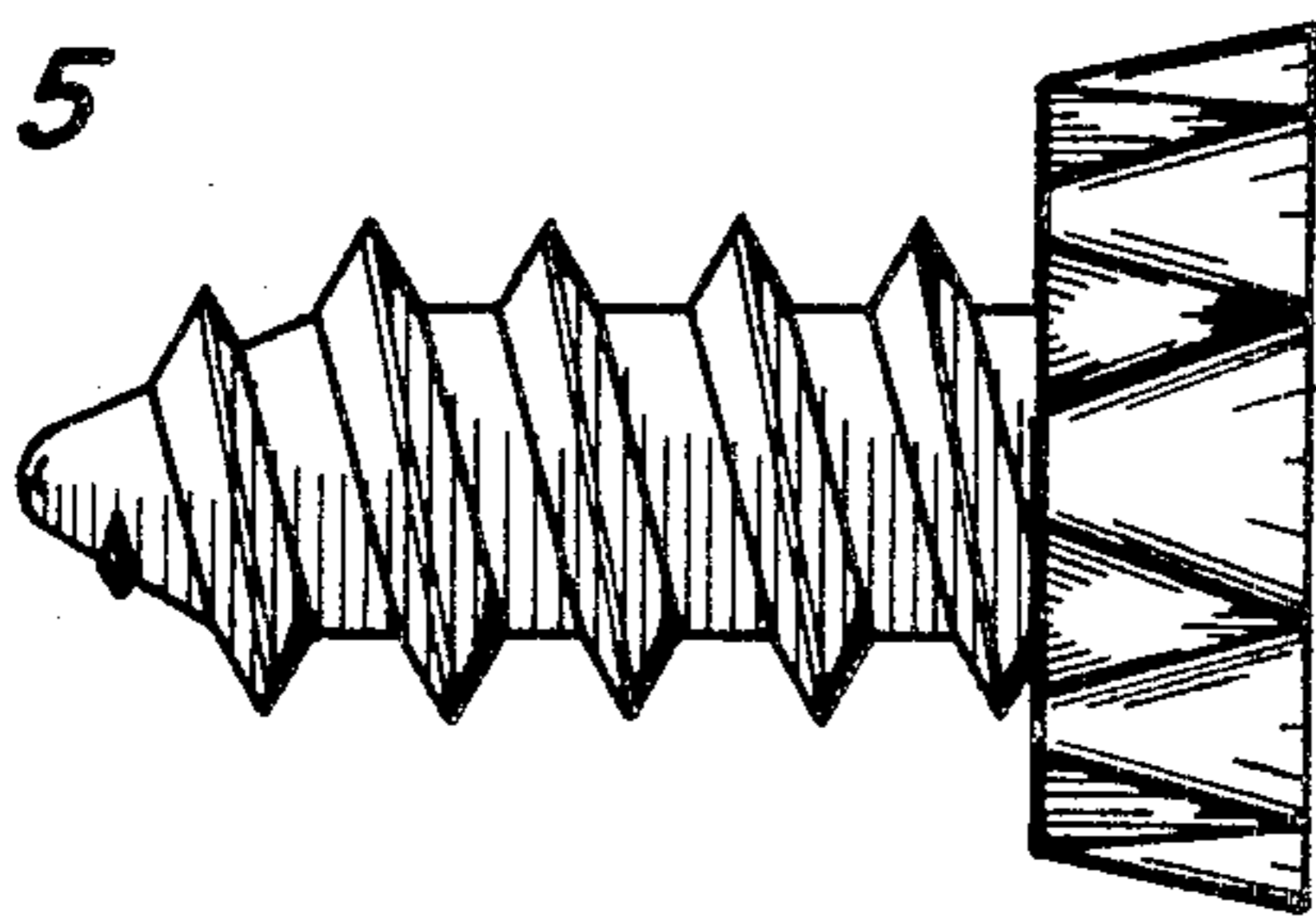


FIG. 7

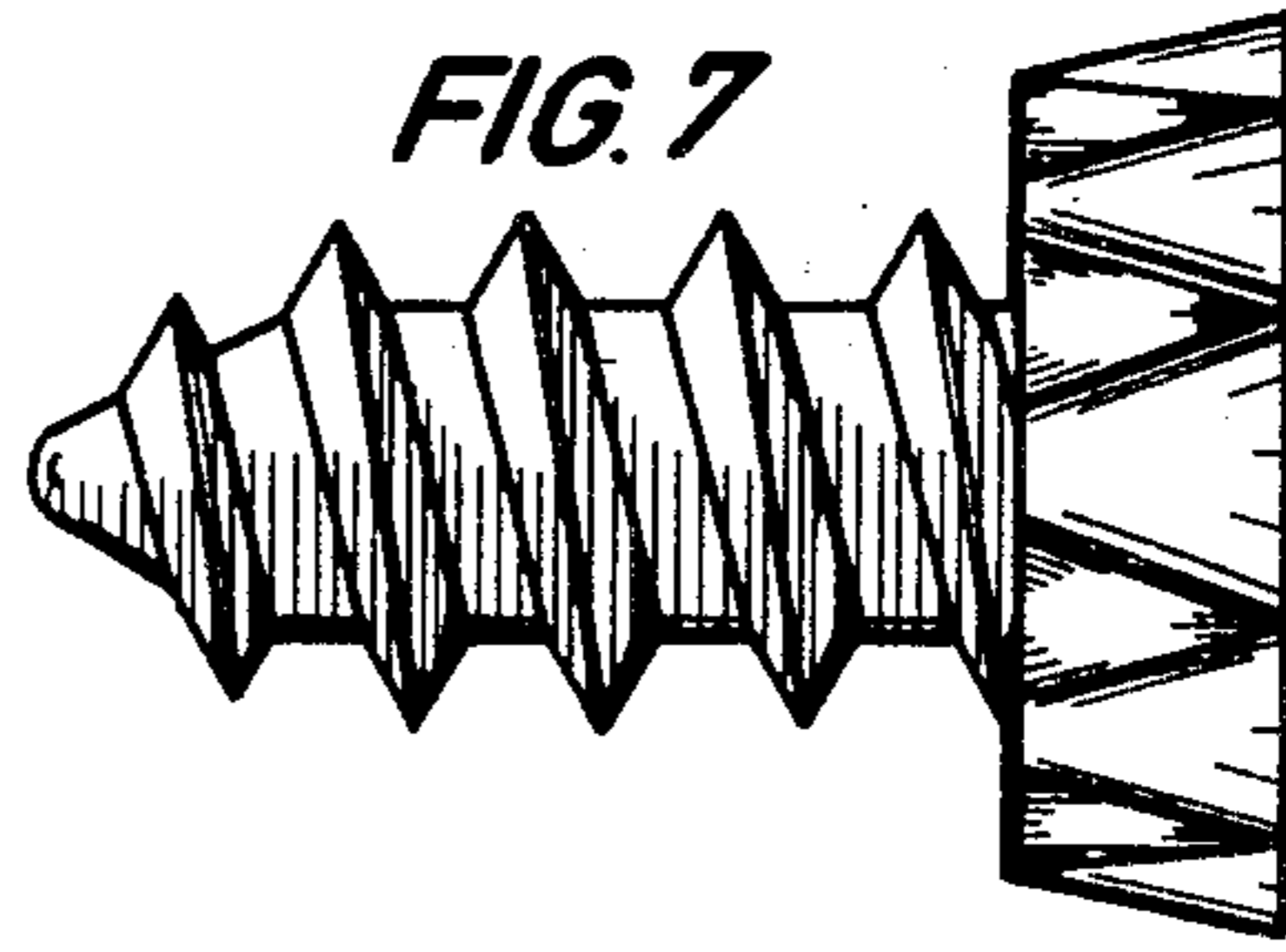


FIG. 8



FIG. 9



FIG. 4

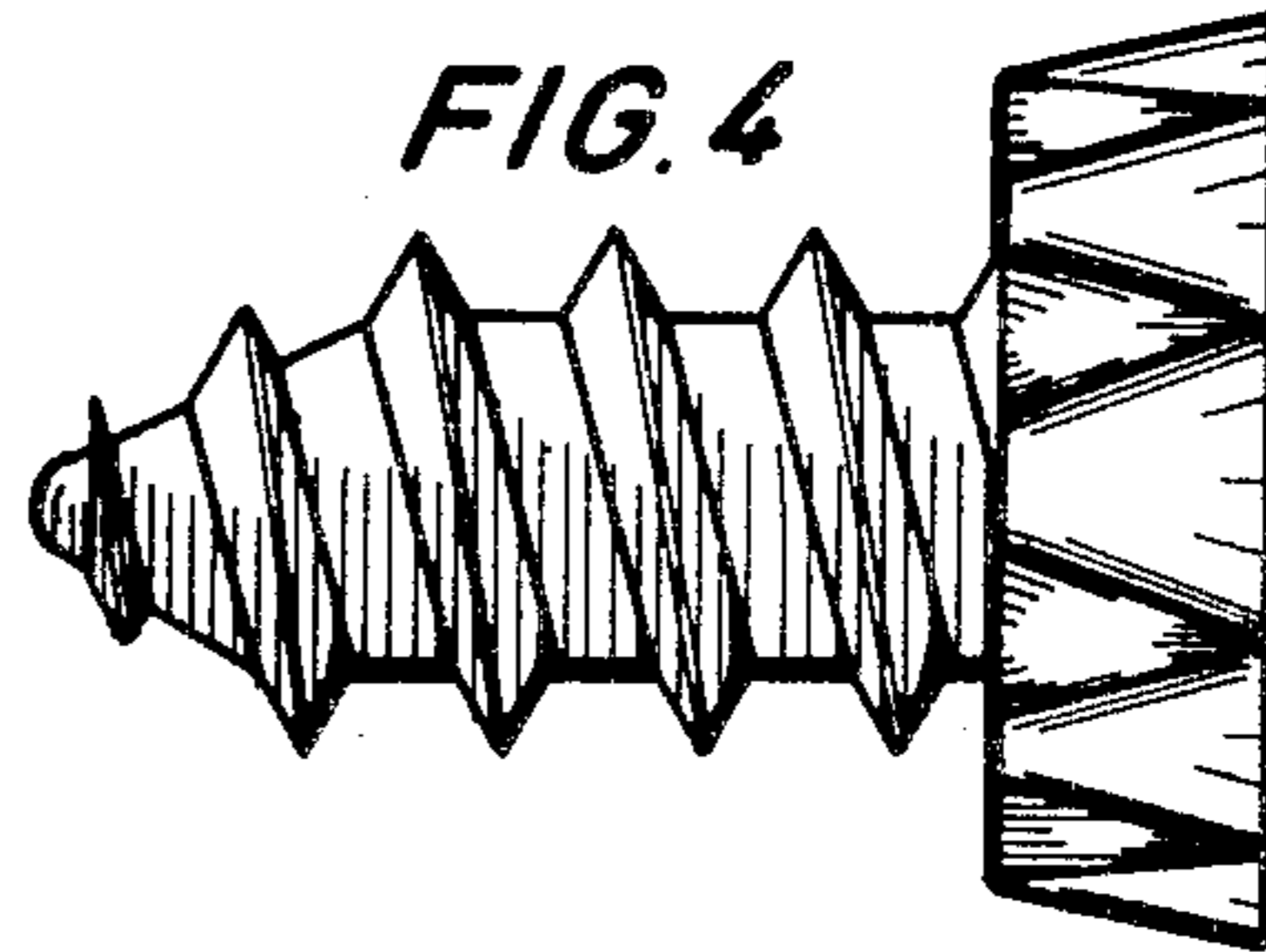


FIG. 6

