

[54] CLAMP

[75] Inventor: Ronald R. Hahn, Barrington, Ill.

[73] Assignee: Hahn Manufacturing Co., Franklin Park, Ill.

[\*\*] Term: 14 Years

[21] Appl. No.: 501,522

[22] Filed: Jun. 6, 1983

[52] U.S. Cl. .... D8/72

[58] Field of Search ..... D8/71, 72, 73, 74, 394; 269/147, 148, 166, 204

[56] References Cited

U.S. PATENT DOCUMENTS

- 1,187,109 6/1916 Steuernagel ..... 269/204
- 2,061,217 11/1936 Watcher ..... 269/147 X

- 2,923,334 2/1960 Brennan, Jr. .... 269/147
- 4,339,113 7/1982 Vosper ..... 269/147 X

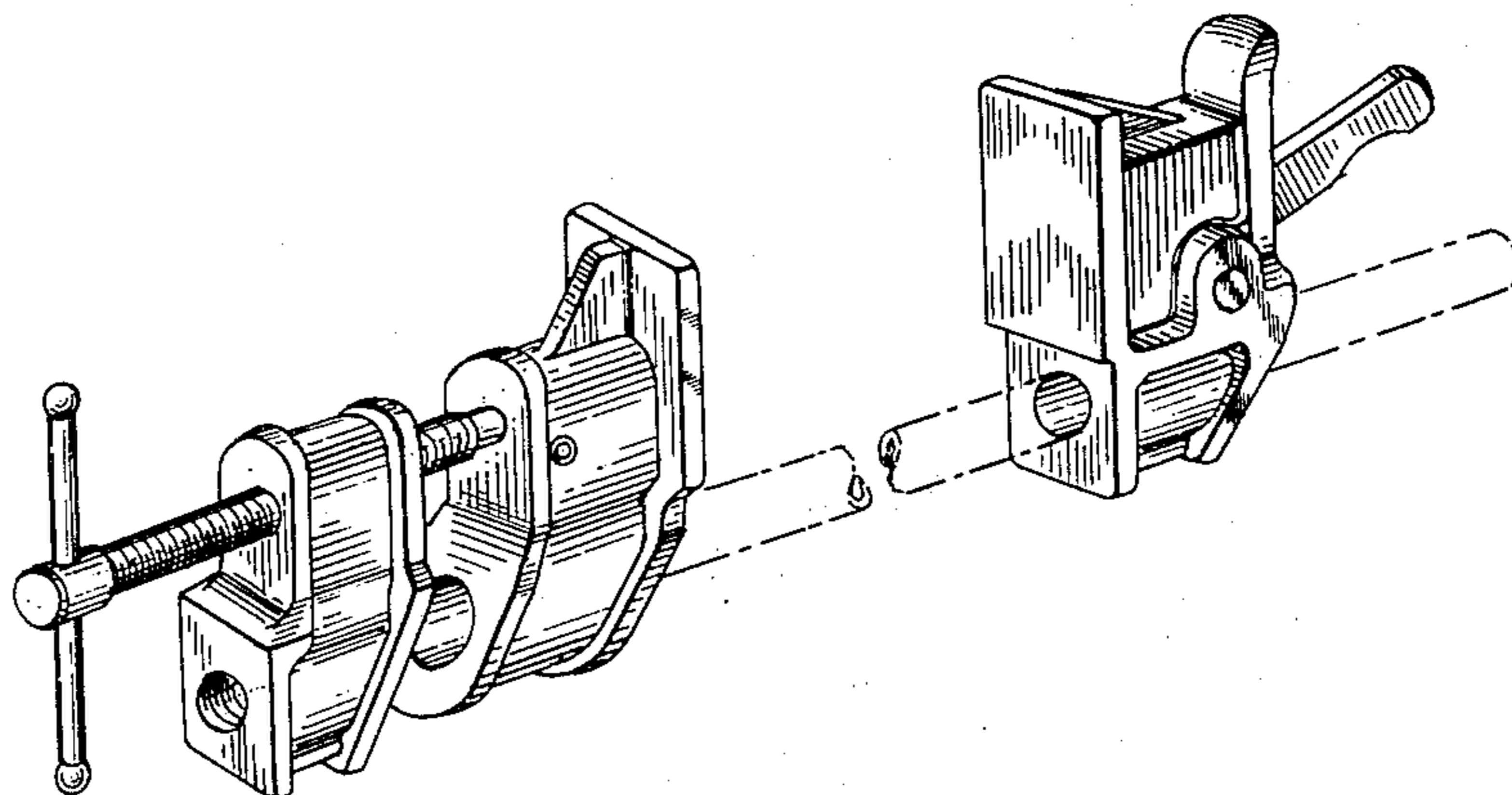
Primary Examiner—Susan J. Lucas  
 Assistant Examiner—C. E. Heflin  
 Attorney, Agent, or Firm—Joseph R. Marcus; Gerald S. Schur

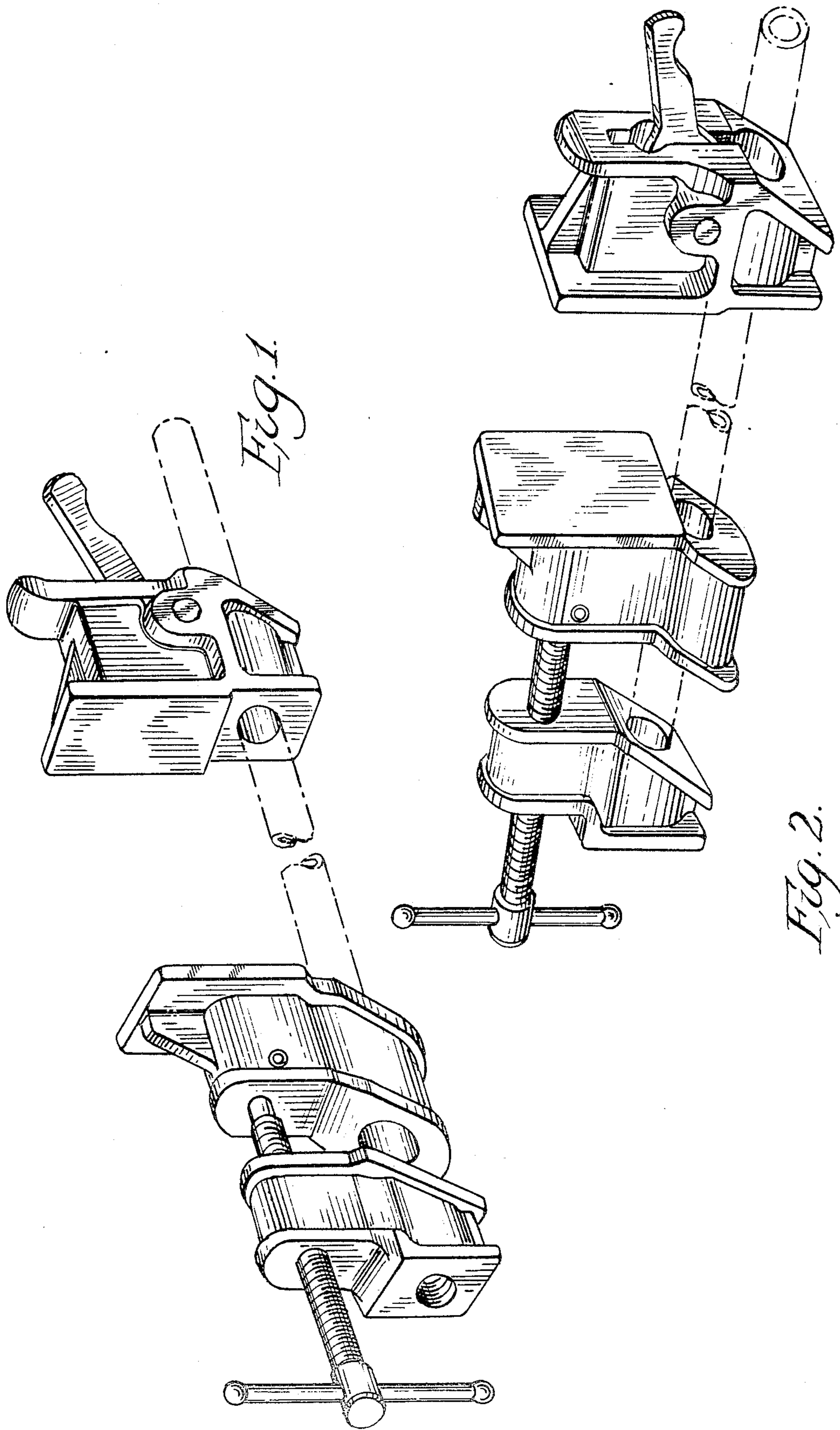
[57] CLAIM

The ornamental design for a clamp, as shown and described.

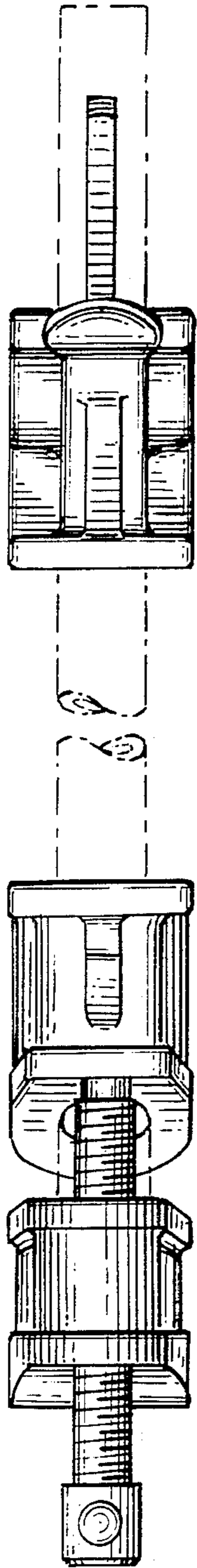
DESCRIPTION

FIG. 1 is a perspective view of a clamp showing my new design with the clamping rod shown in broken lines for illustrative purposes only;  
 FIG. 2 is another perspective view thereof;  
 FIG. 3 is a side elevational view thereof;  
 FIG. 4 is a top plan view thereof;  
 FIG. 5 is a bottom plan view thereof.

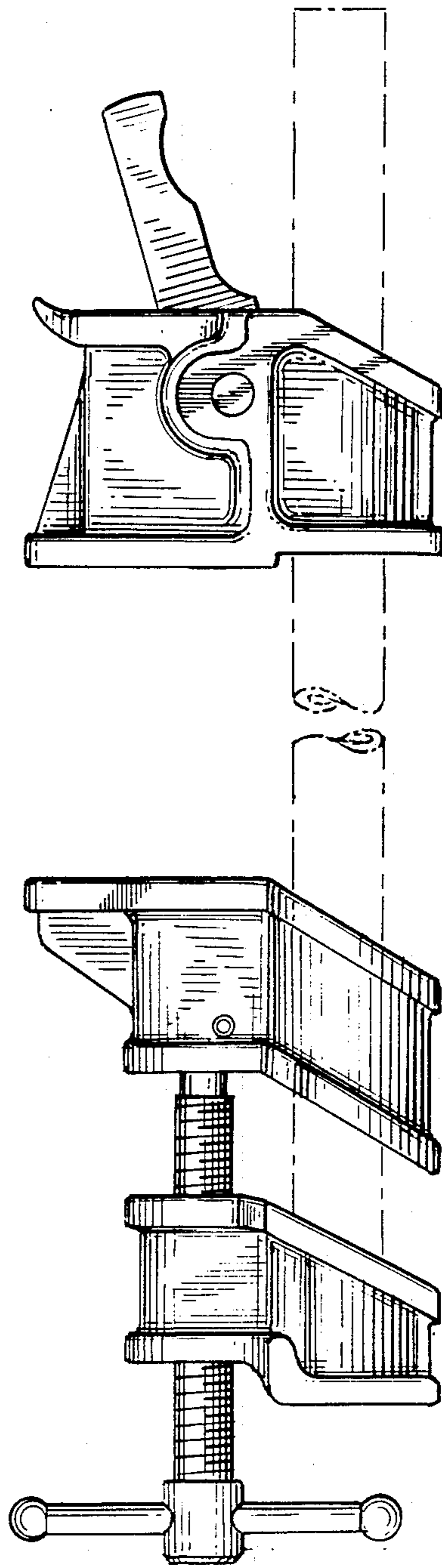




*Fig. 4.*



*Fig. 3.*



*Fig. 5.*

