

[54] PERCOLATOR

[75] Inventors: Dan E. Gremonprez, West Bend, Wis.; William C. Cesaroni, Glenview, Ill.

[73] Assignee: Dart Industries, Inc., Northbrook, Ill.

[**] Term: 14 Years

[21] Appl. No.: 657,634

[22] Filed: Oct. 4, 1984

[52] U.S. Cl. D7/321

[58] Field of Search D7/300, 312, 316-322

[56] References Cited

U.S. PATENT DOCUMENTS

- D. 5,284 9/1871 Wilkinson D7/321
- D. 178,698 9/1956 Russell D7/321
- D. 189,981 3/1961 Ernest D7/321

- D. 202,283 9/1965 Friedman et al. D7/321
- D. 207,335 4/1967 Kaminski D7/321
- D. 209,692 12/1967 Ernest et al. D7/321

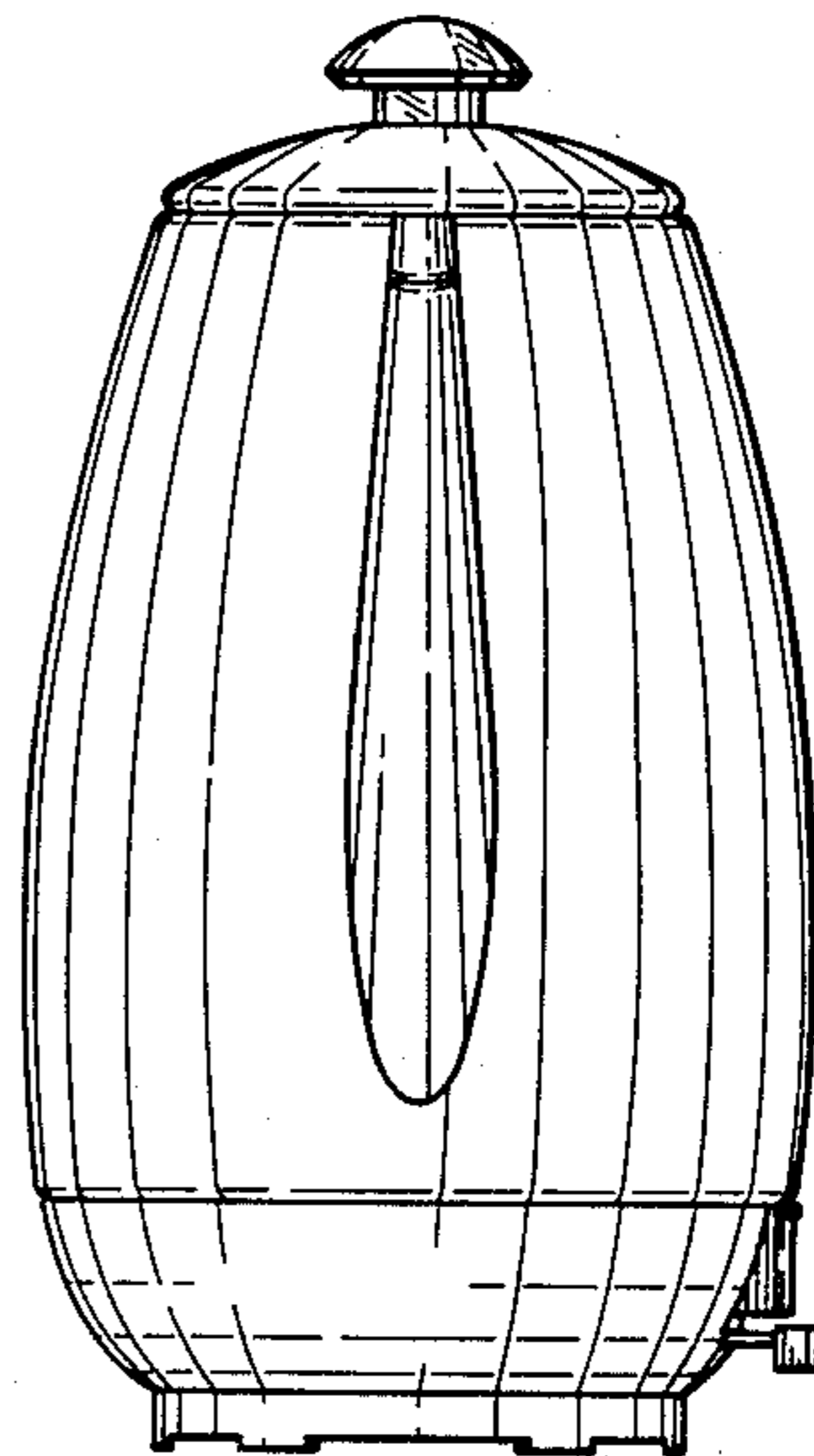
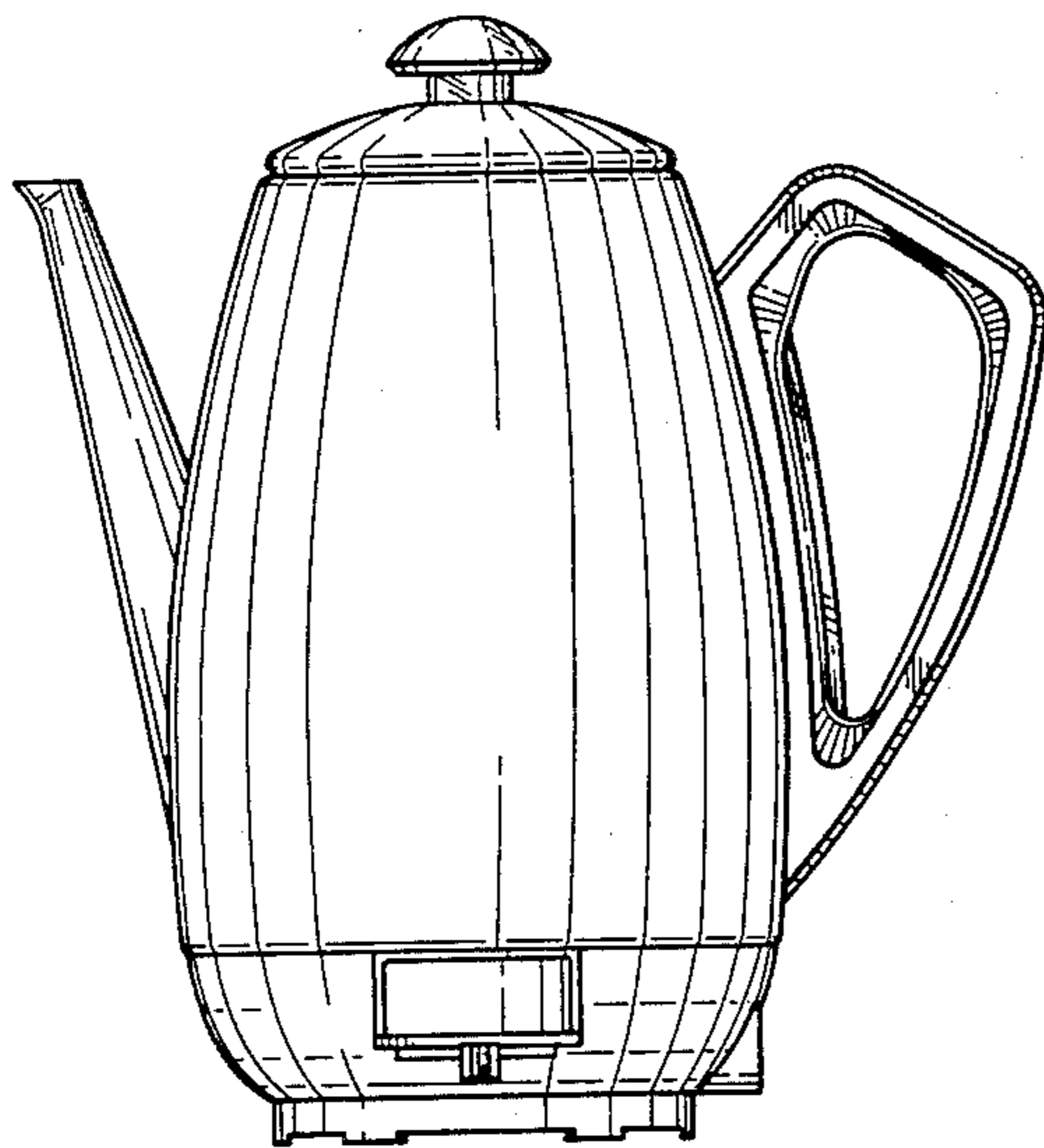
Primary Examiner—Winifred E. Herrmann
Attorney, Agent, or Firm—Gregory J. Mancuso

[57] CLAIM

The ornamental design for a percolator, substantially as shown.

DESCRIPTION

FIG. 1 is a perspective view of a percolator showing our new design;
 FIG. 2 is a side elevational view thereof;
 FIG. 3 is a top plan view thereof;
 FIG. 4 is a front end elevational view thereof;
 FIG. 5 is a back end elevational view thereof;
 FIG. 6 is a side elevational view thereof, the opposite side of the side shown in FIG. 2;
 FIG. 7 is a bottom plan view thereof.



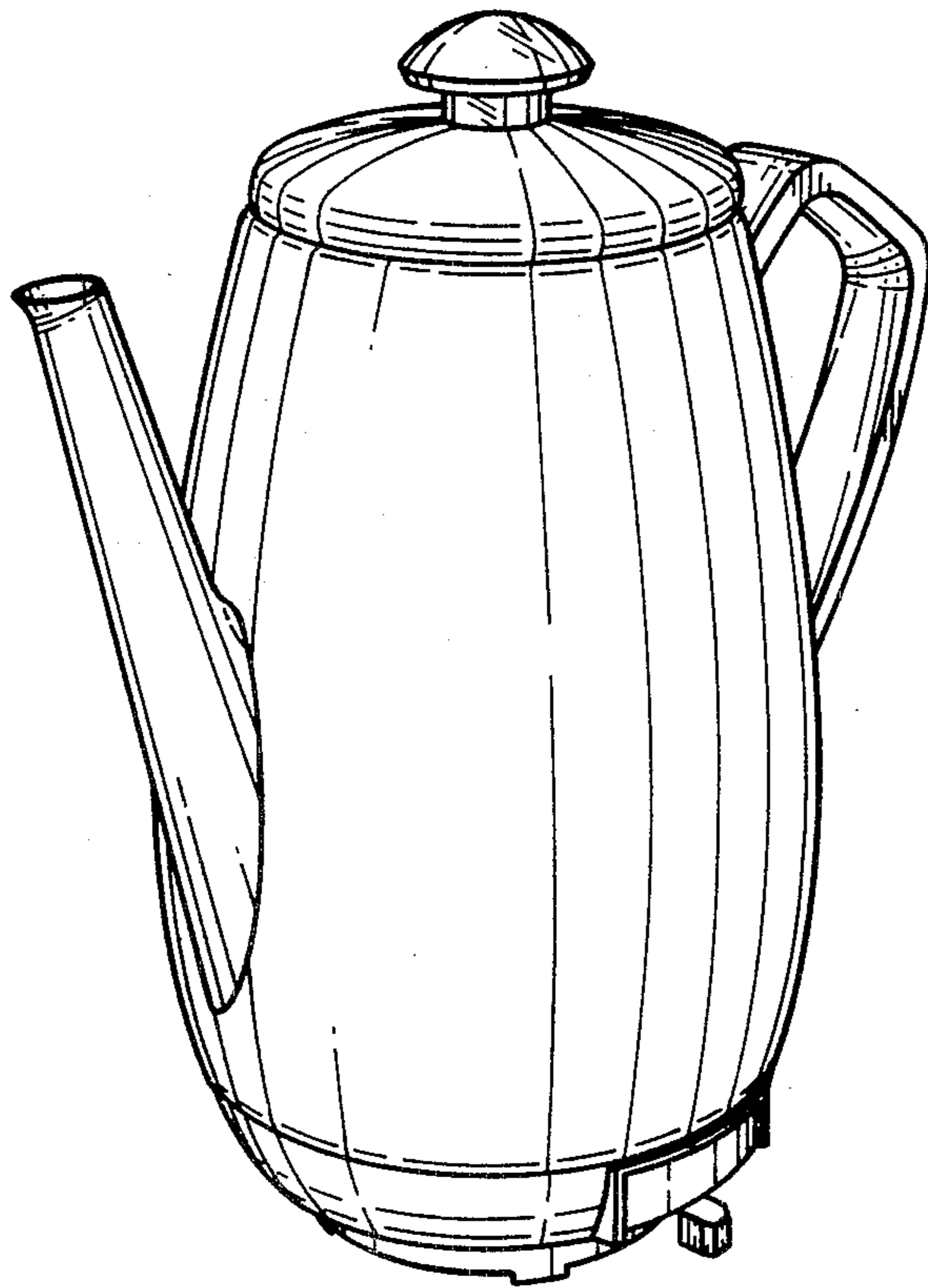


FIG. 1

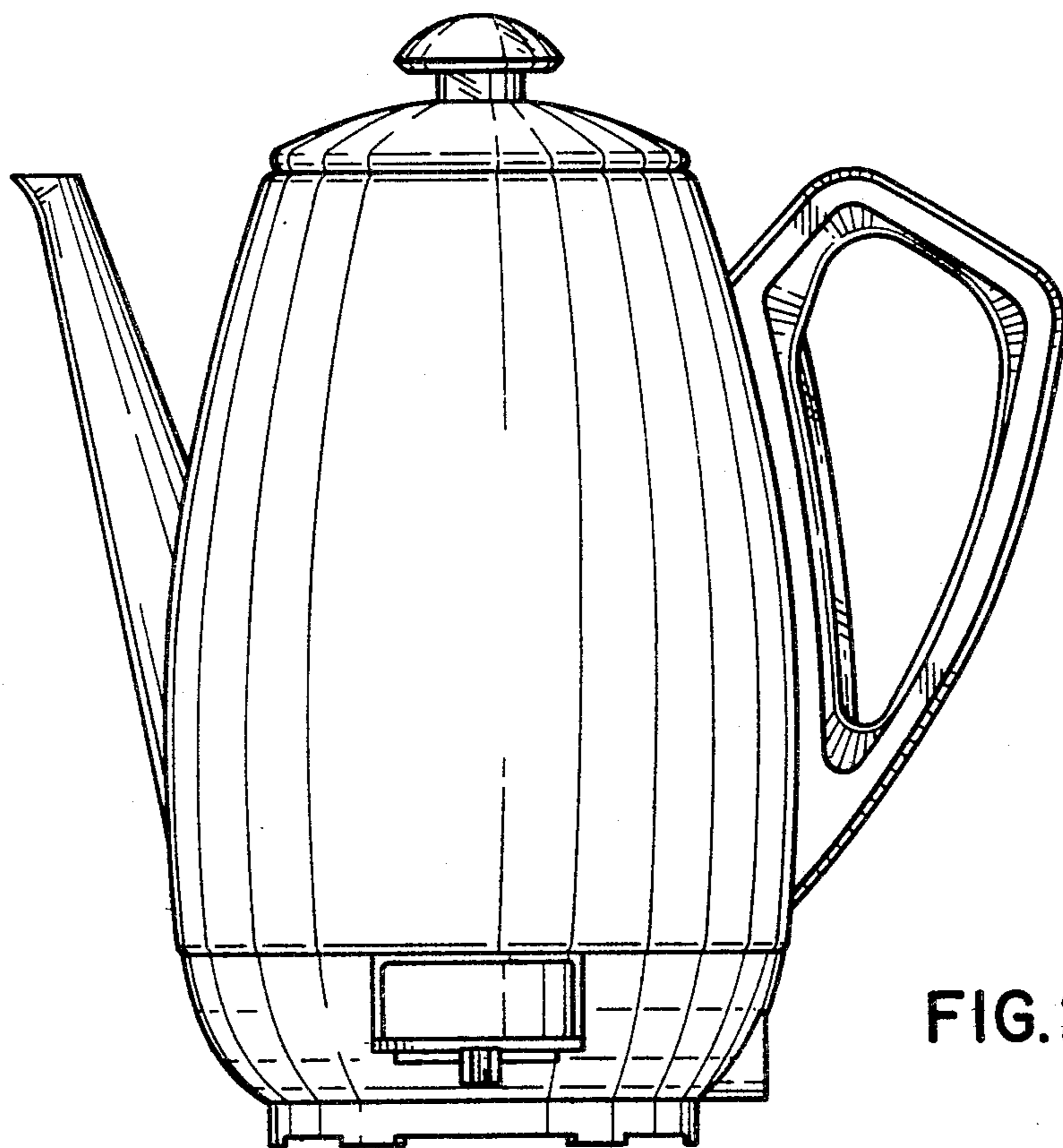


FIG. 2

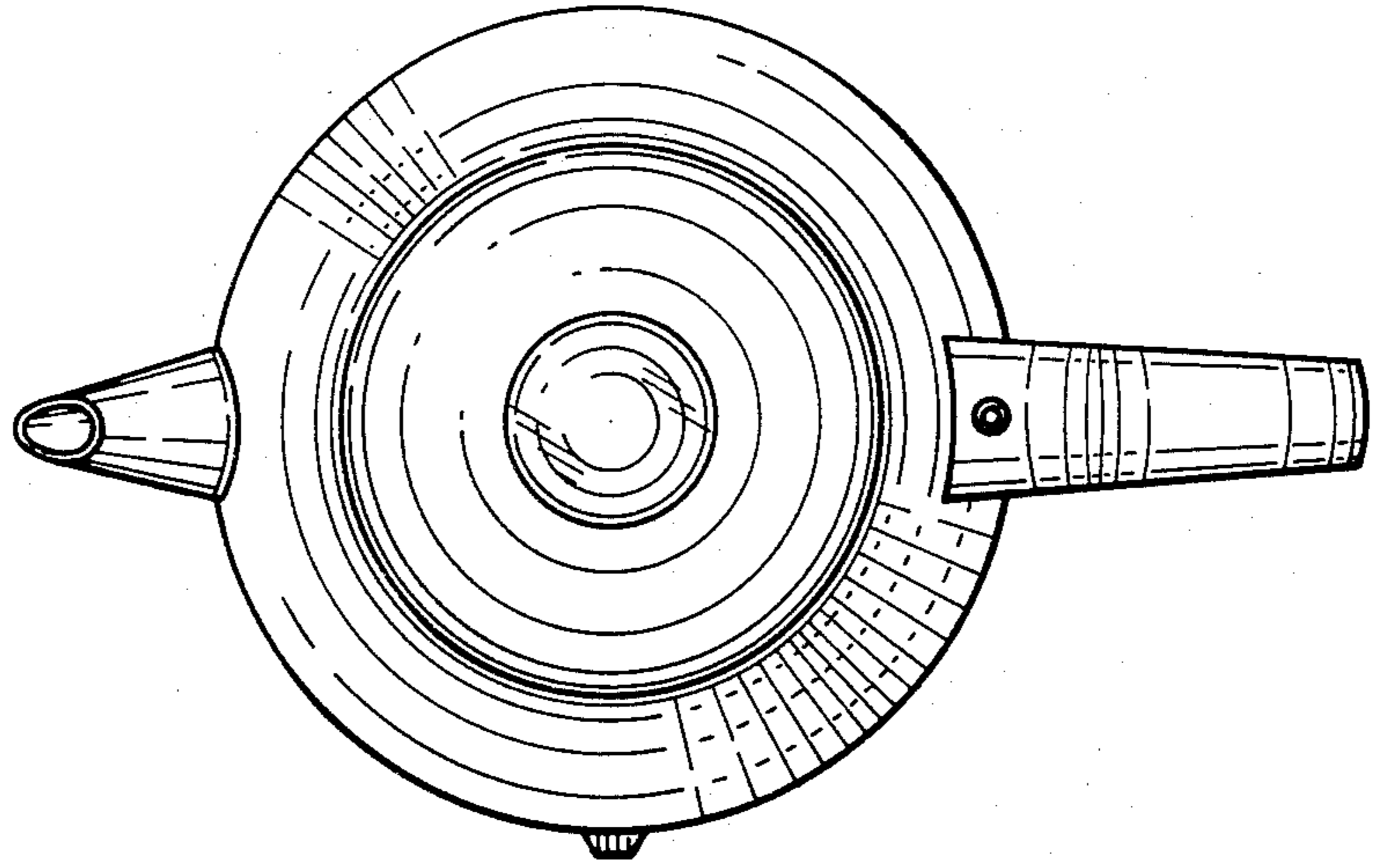


FIG. 3

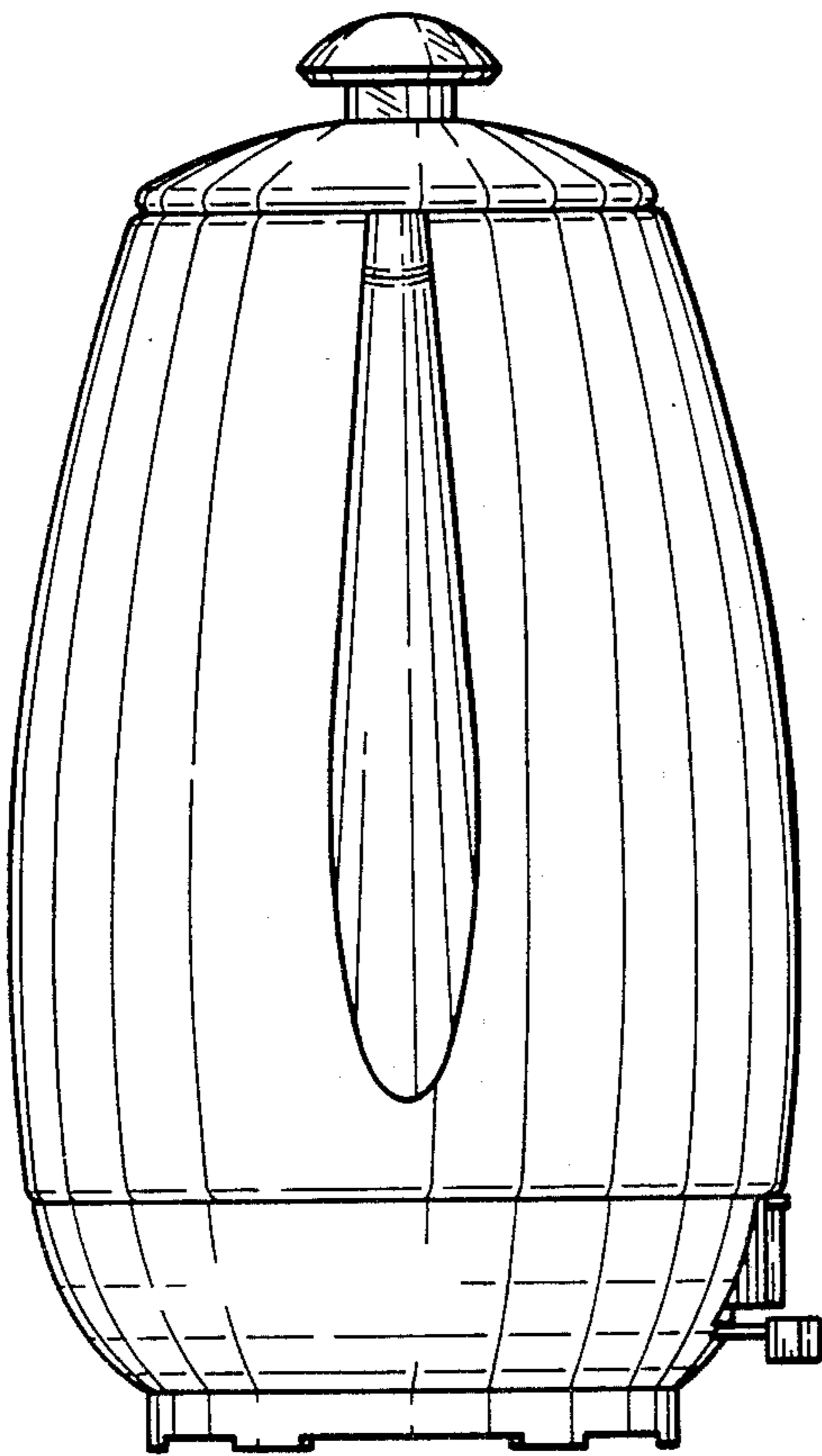


FIG. 4

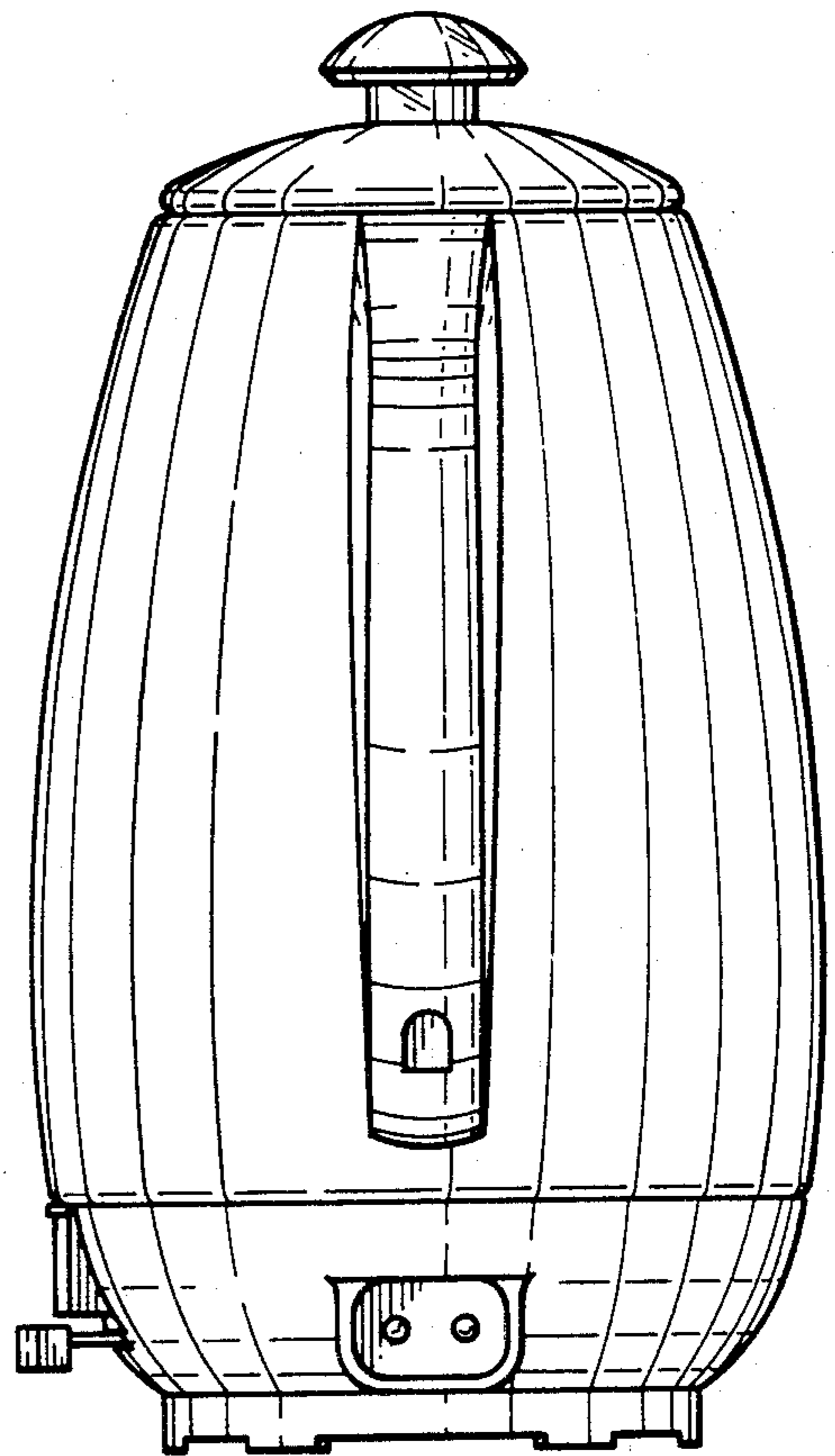


FIG. 5

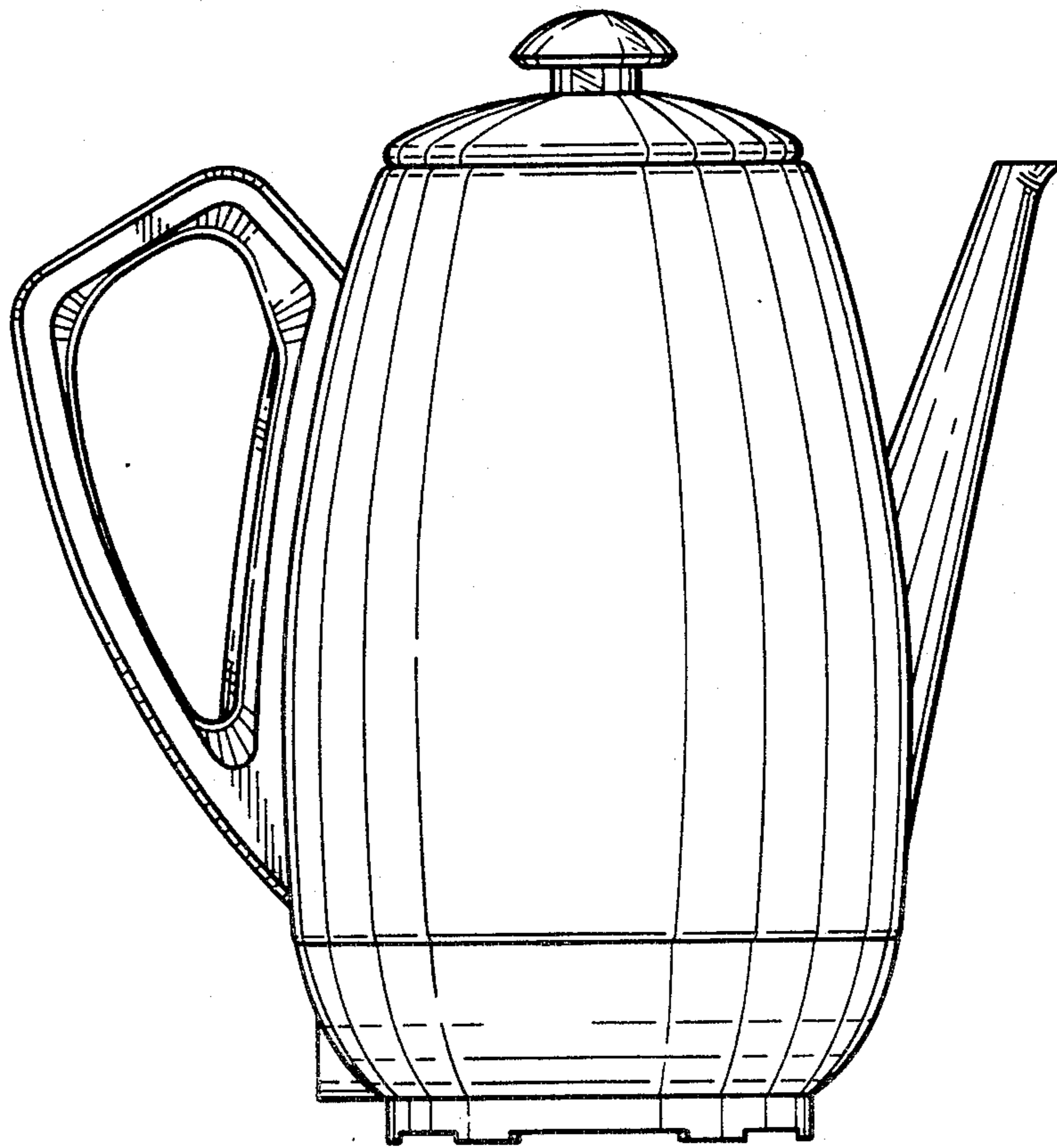


FIG. 6

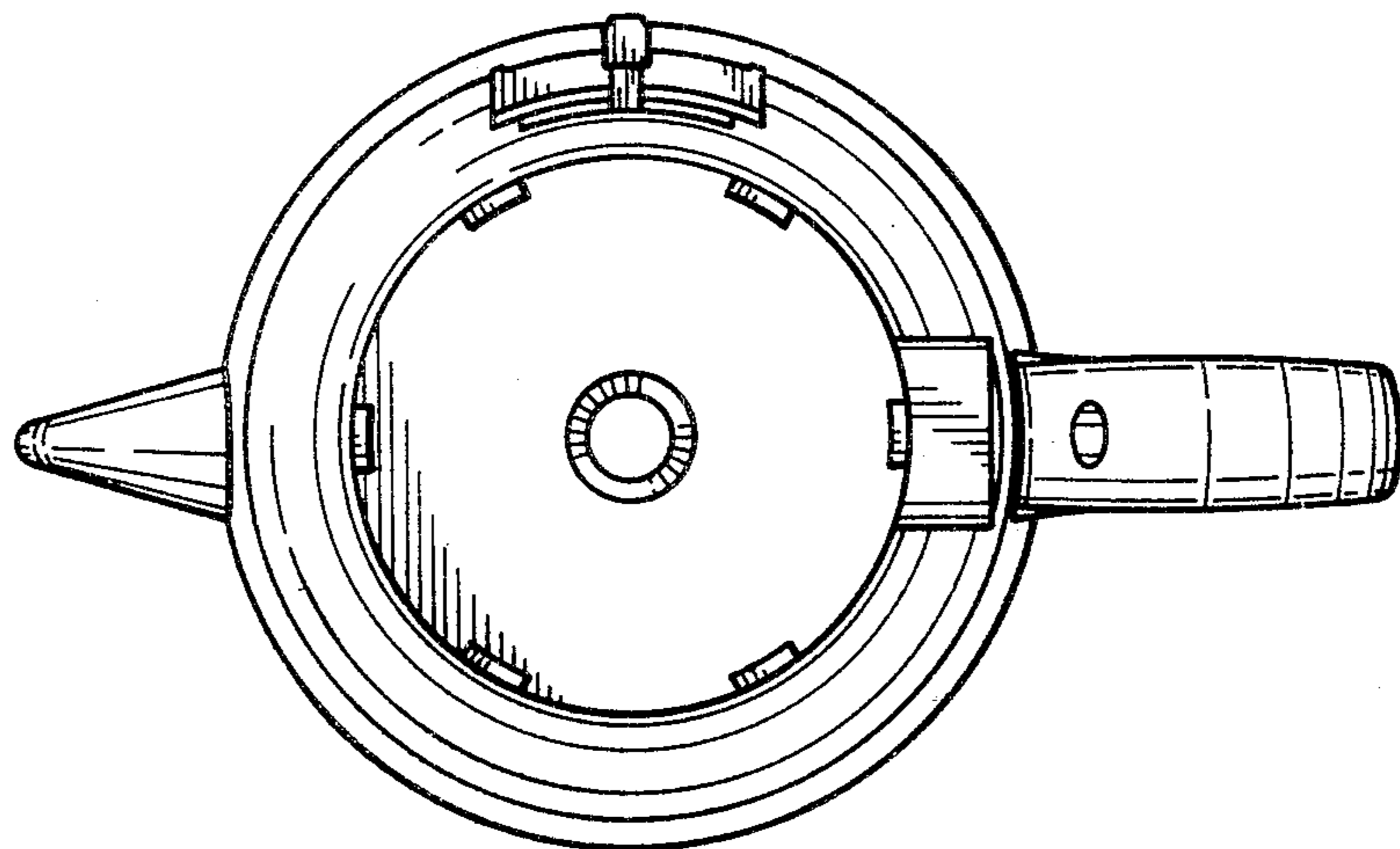


FIG. 7