

United States Patent [19]

Gremonprez et al.

[11] Patent Number: **Des. 286,365**

[45] Date of Patent: **** Oct. 28, 1986**

[54] PERCOLATOR

[75] Inventors: **Dan E. Gremonprez; William C. Cesaroni**, both of Glenview, Ill.

[73] Assignee: **Dart Industries, Inc.**, Northbrook, Ill.

[**] Term: **14 Years**

[21] Appl. No.: **653,628**

[22] Filed: **Sep. 24, 1984**

[52] U.S. Cl. **D7/321**

[58] Field of Search **D7/300, 312, 316-322**

[56] **References Cited**

U.S. PATENT DOCUMENTS

- D. 178,435 7/1956 Swann D7/321
- D. 178,698 9/1956 Russell D7/321
- D. 189,981 3/1961 Ernest D7/321

- D. 195,477 6/1963 Cornwell D7/321
- D. 209,692 12/1967 Ernest et al. D7/321
- 3,858,494 1/1975 Martin D7/321 X

Primary Examiner—Winifred E. Herrmann

Attorney, Agent, or Firm—Gregory J. Mancuso

[57] **CLAIM**

The ornamental design for a percolator, substantially as shown.

DESCRIPTION

FIG. 1 is a perspective view of a percolator showing our new design;

FIG. 2 is a side elevational view thereof;

FIG. 3 is a top plan view thereof;

FIG. 4 is a front end elevational view thereof;

FIG. 5 is a back end elevational view thereof;

FIG. 6 is a side elevational view thereof, the opposite side of the side shown in FIG. 2;

FIG. 7 is a bottom plan view thereof.

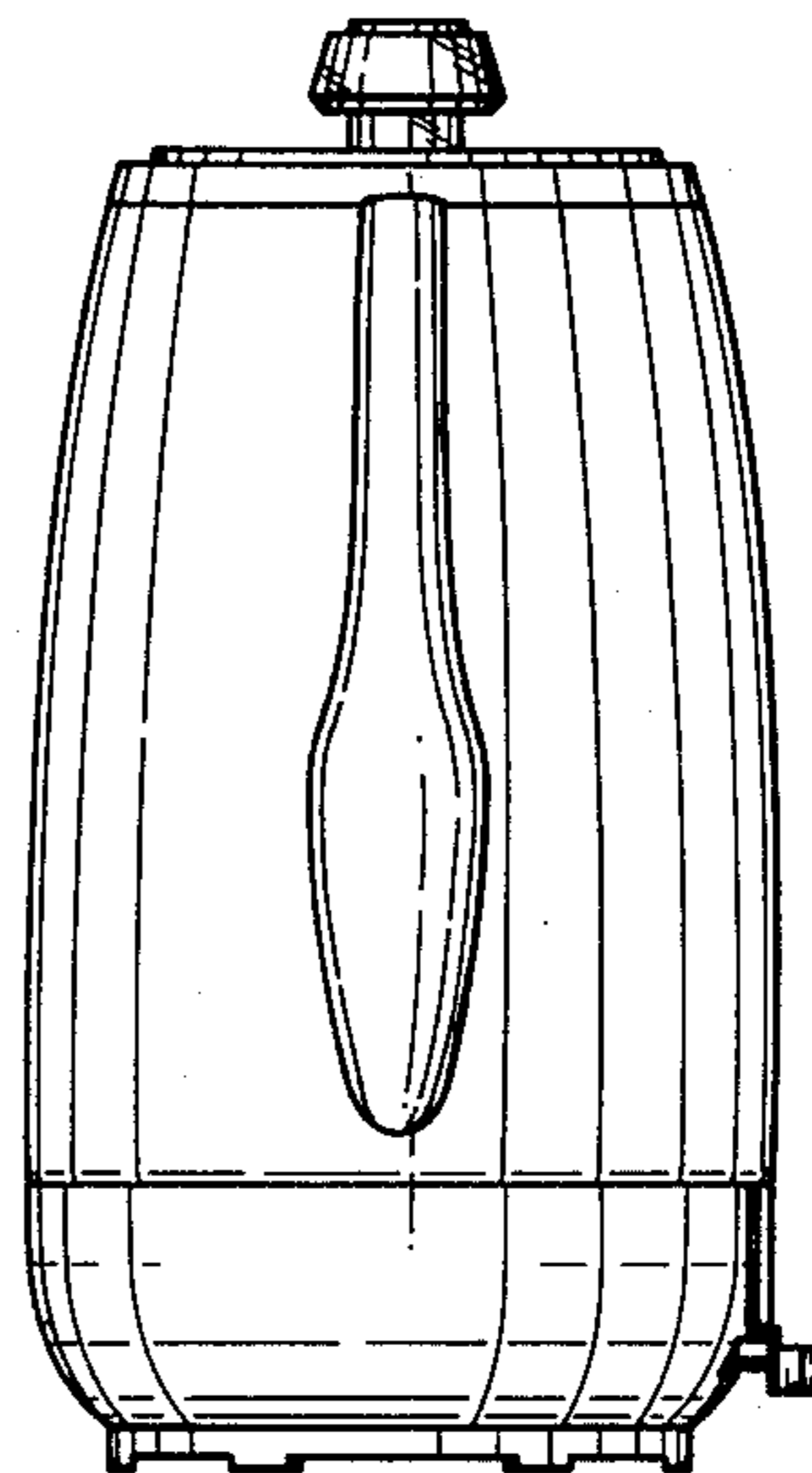
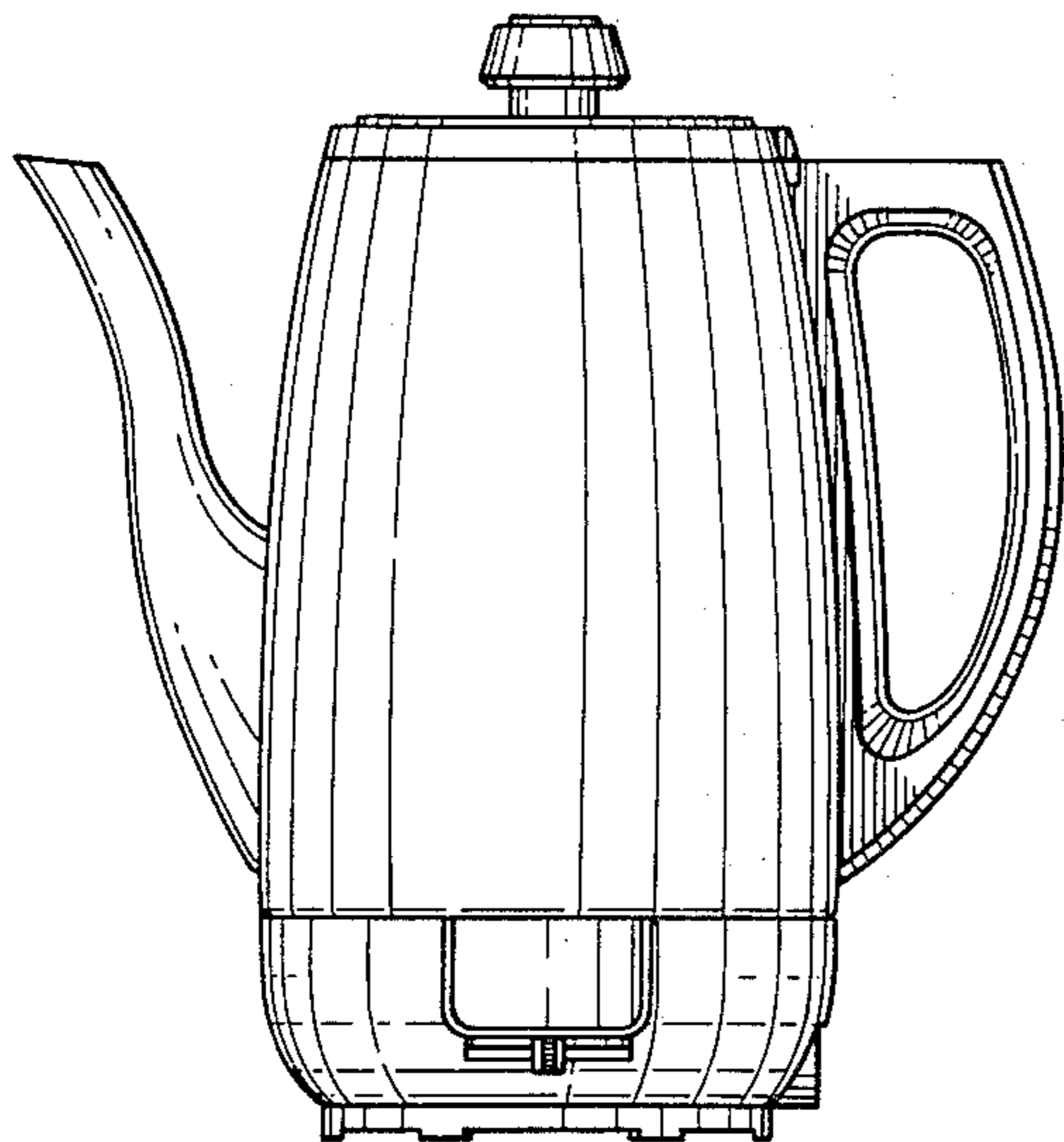




FIG. 1

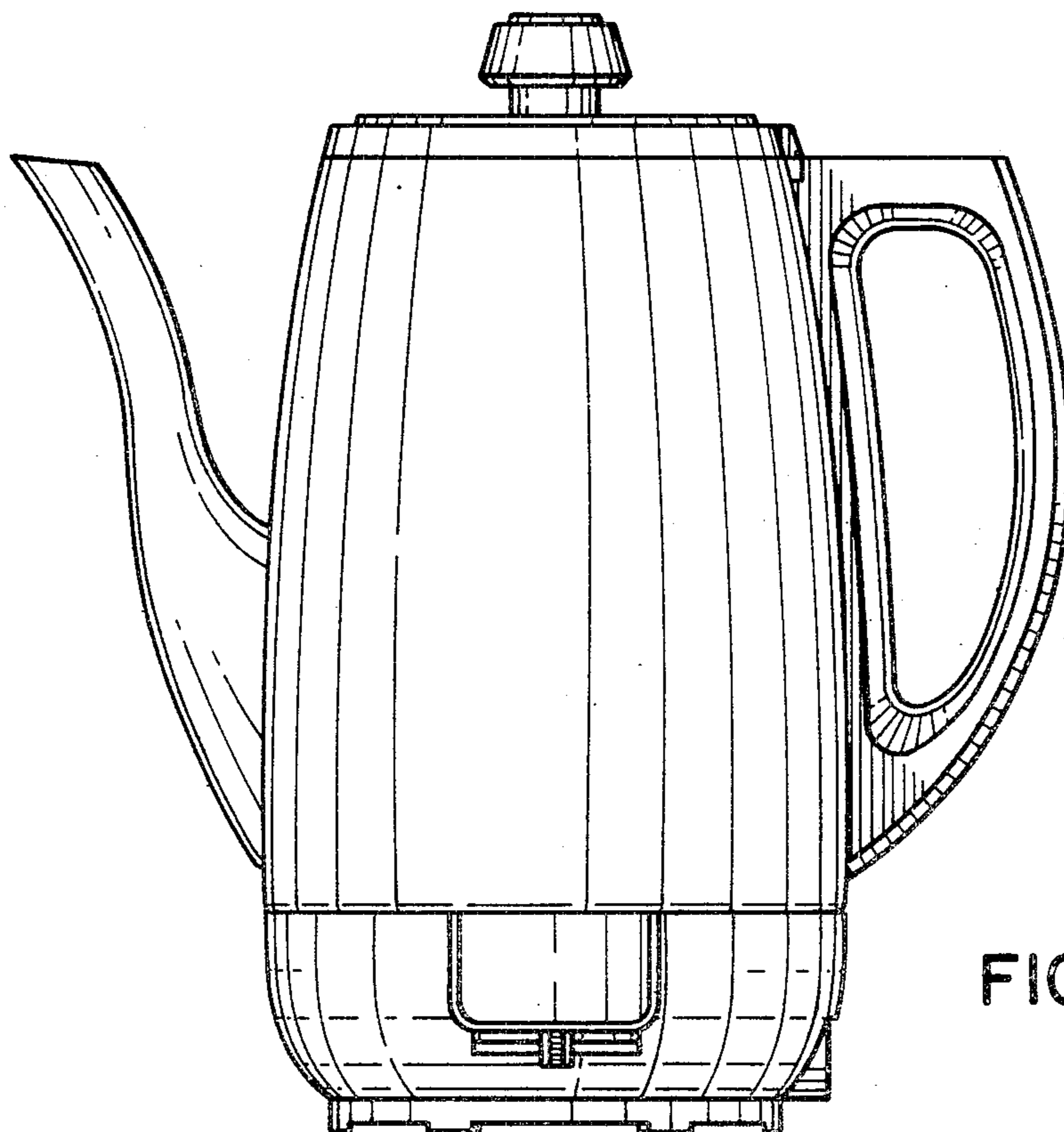


FIG. 2

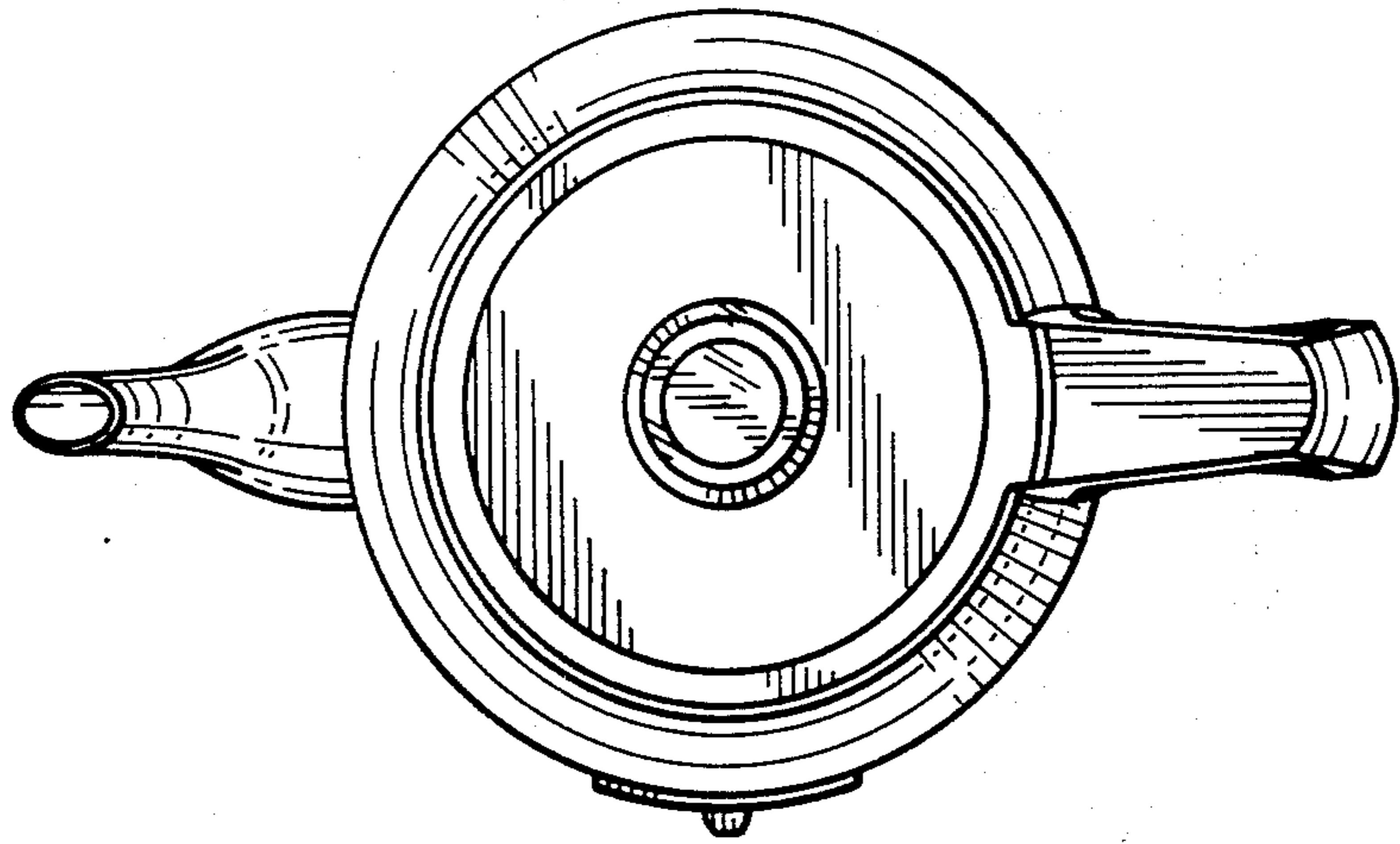


FIG. 3

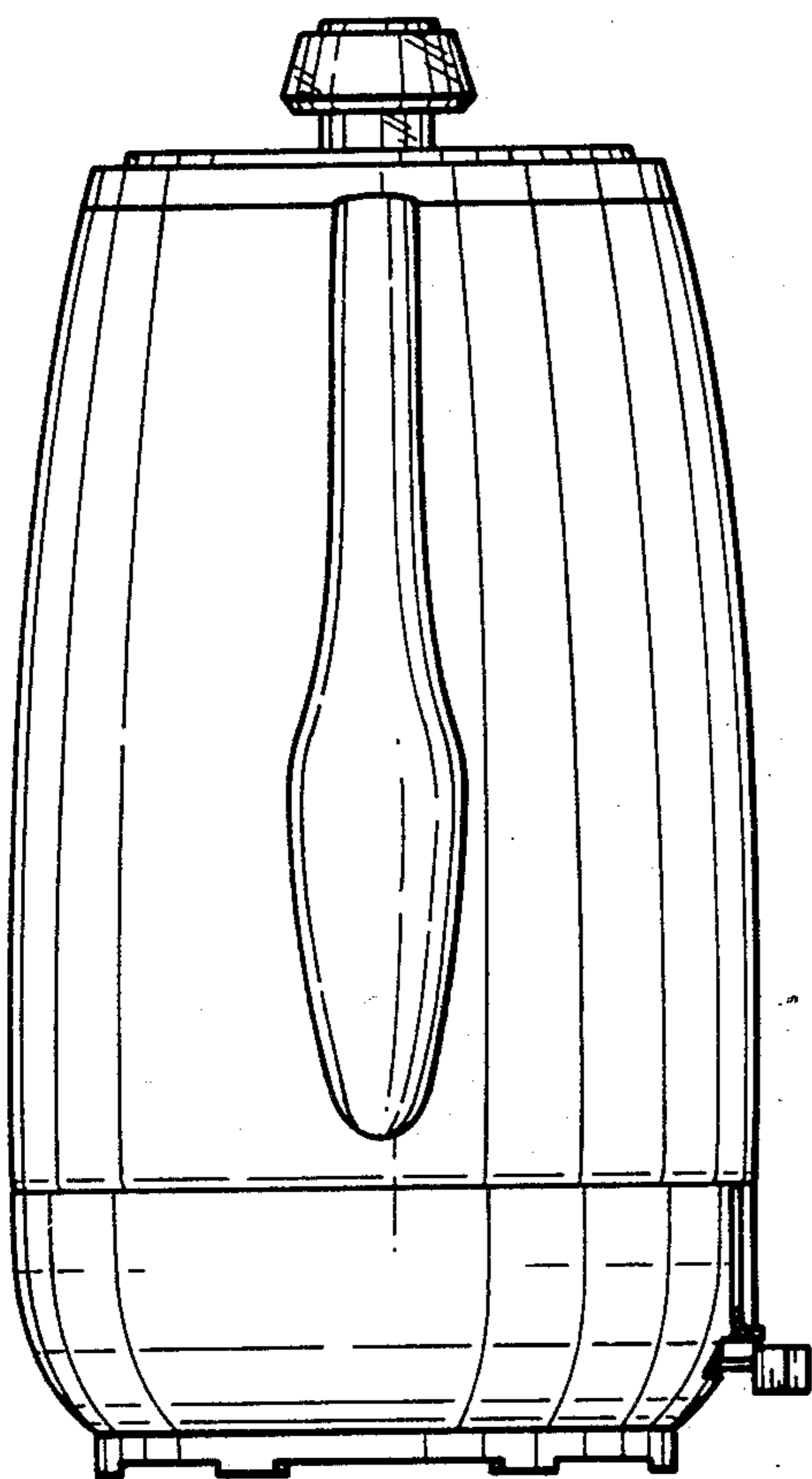


FIG. 4

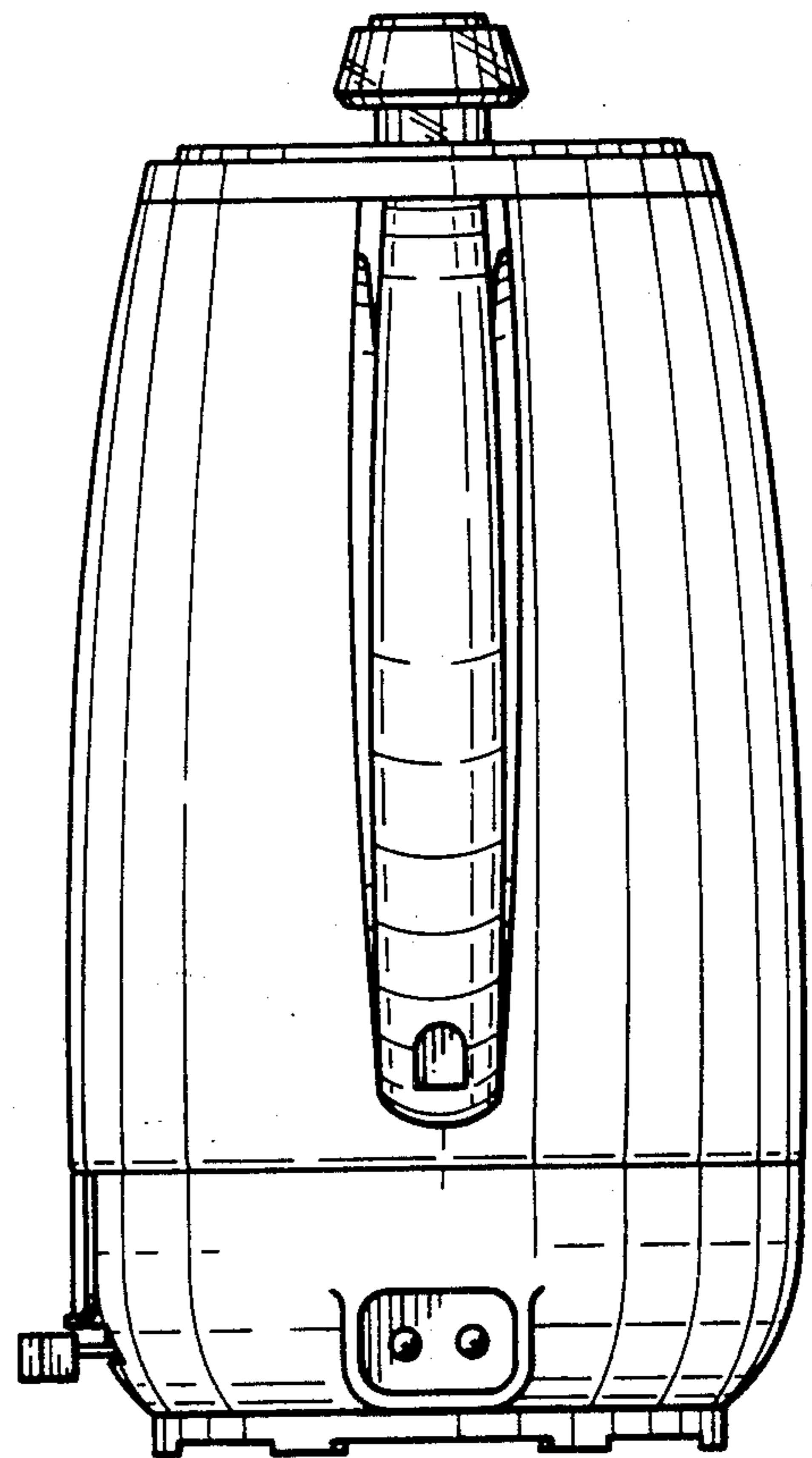


FIG. 5

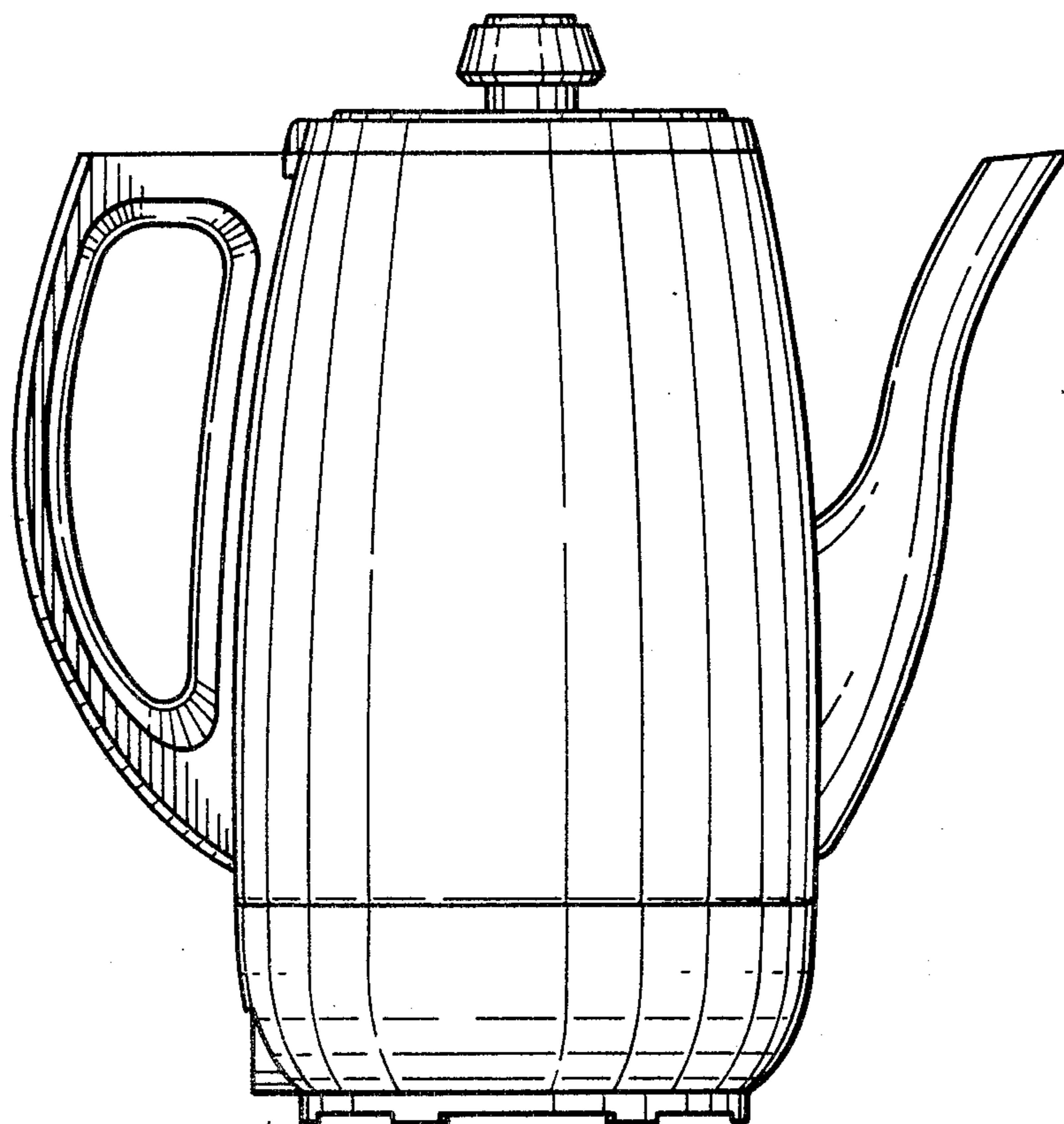


FIG. 6

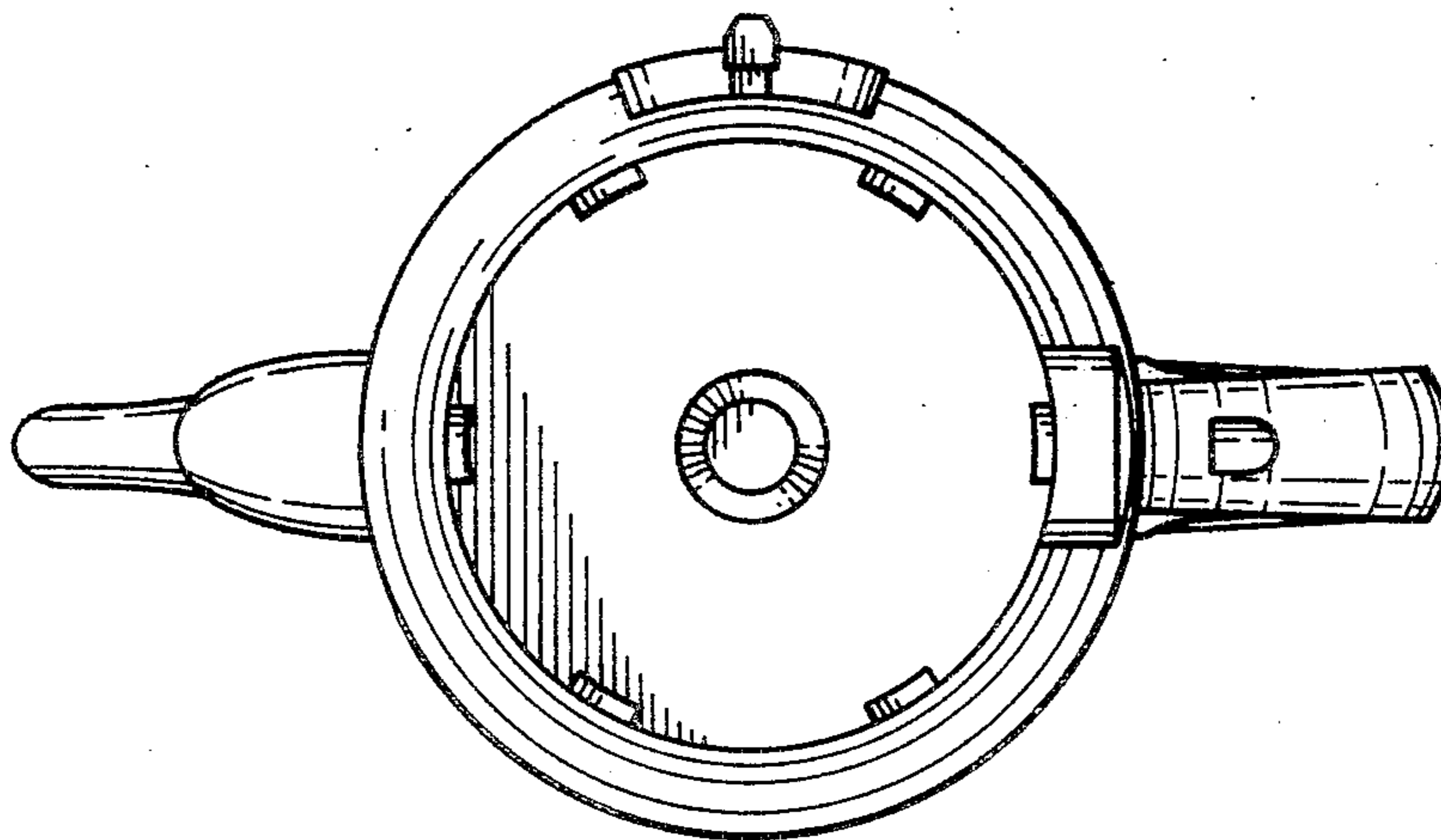


FIG. 7