

[54] **TRANSPARENT JUG**

[75] **Inventor:** Bruno Gecchelin, Milan, Italy
[73] **Assignee:** Fratelli Guzzini S.p.A., Recanati, Italy
[**] **Term:** 14 Years
[21] **Appl. No.:** 566,415
[22] **Filed:** Dec. 28, 1983

[30] **Foreign Application Priority Data**

Jun. 28, 1983 [IT] Italy 22237/83[U]
[52] **U.S. Cl.** **D7/317**
[58] **Field of Search** **D7/316-319,**
D7/300; 222/465 R

[56] **References Cited**

U.S. PATENT DOCUMENTS

D. 190,594 6/1961 Hutzler D7/319
D. 229,657 12/1973 Cyren D7/317
D. 263,105 2/1982 Okazaki et al. D7/319
D. 269,317 6/1983 Pozzi D7/317
2,805,561 9/1957 Emmert et al. D7/317 X

OTHER PUBLICATIONS

Bloomington Supplement, 4/80, p. 13, Pitcher, Item C, middle row.

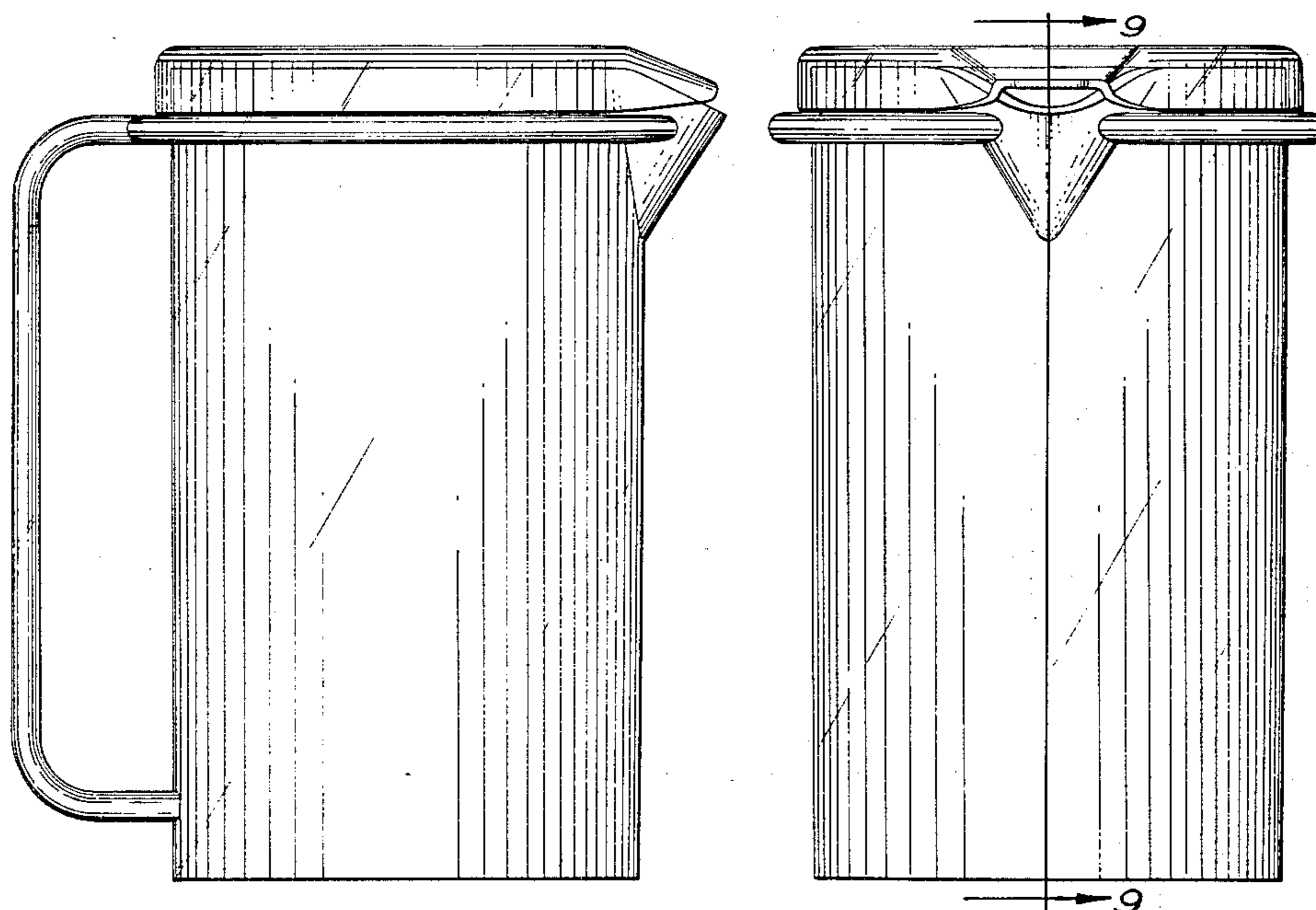
Primary Examiner—Bernard Ansher
Assistant Examiner—Terry Pfeffer
Attorney, Agent, or Firm—Cushman, Darby & Cushman

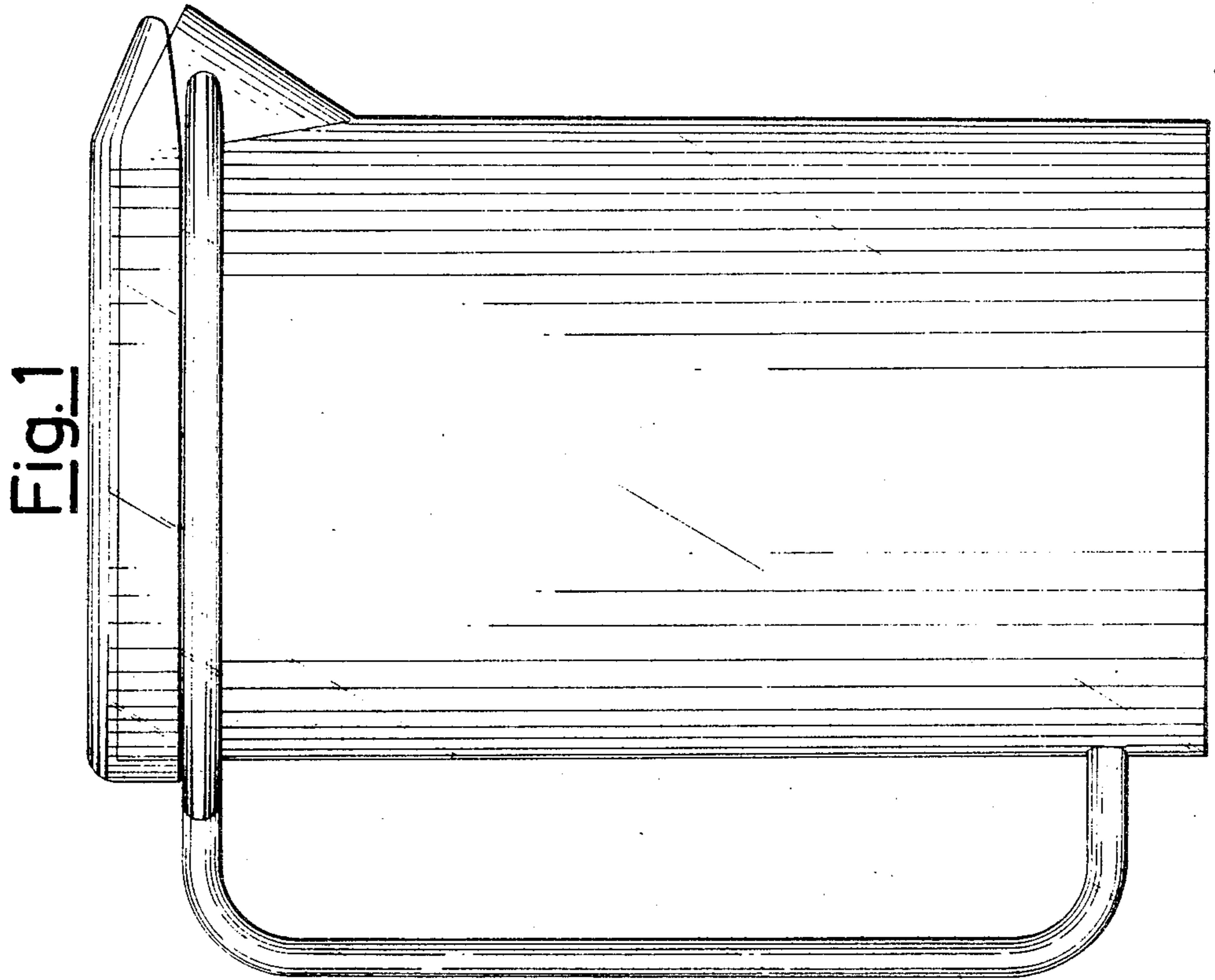
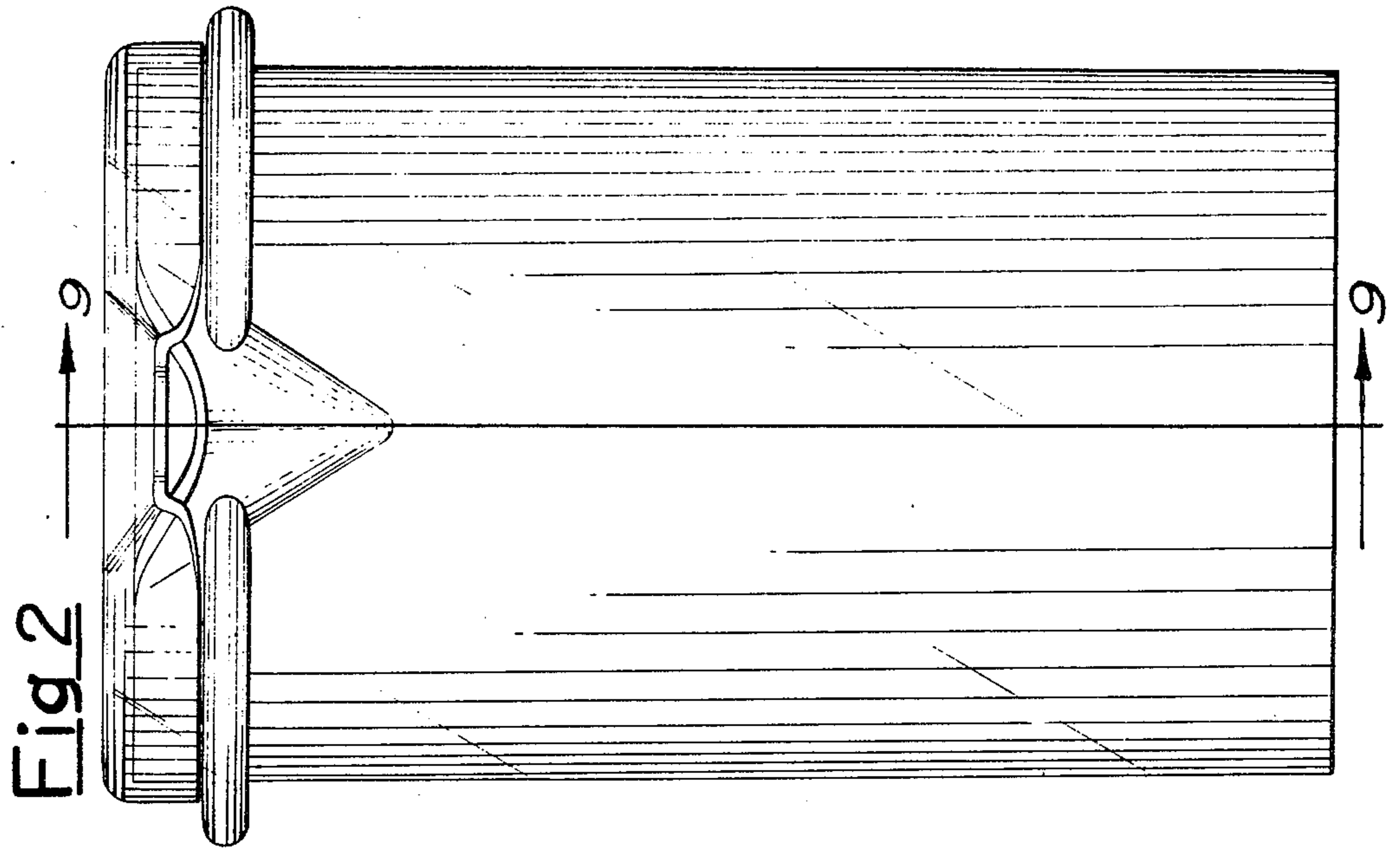
[57] **CLAIM**

The ornamental design for transparent jug, as shown and described.

DESCRIPTION

FIG. 1 is a left side elevation of a transparent jug showing my new design;
FIG. 2 is a front elevation thereof;
FIG. 3 is an exploded left side elevation thereof;
FIG. 4 is an exploded right side elevation thereof;
FIG. 5 is an exploded top plan view thereof;
FIG. 6 is an exploded bottom plan view thereof;
FIG. 7 is a rear elevation thereof with the lid removed for clarity of illustration;
FIG. 8 is a front elevation thereof with the lid removed for clarity of illustration; and
FIG. 9 is a cross-section shown along line 9—9 of FIG. 2.





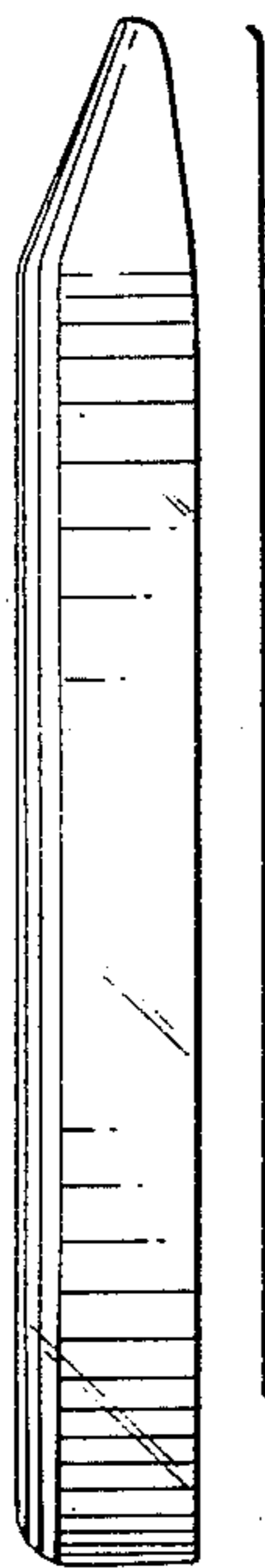
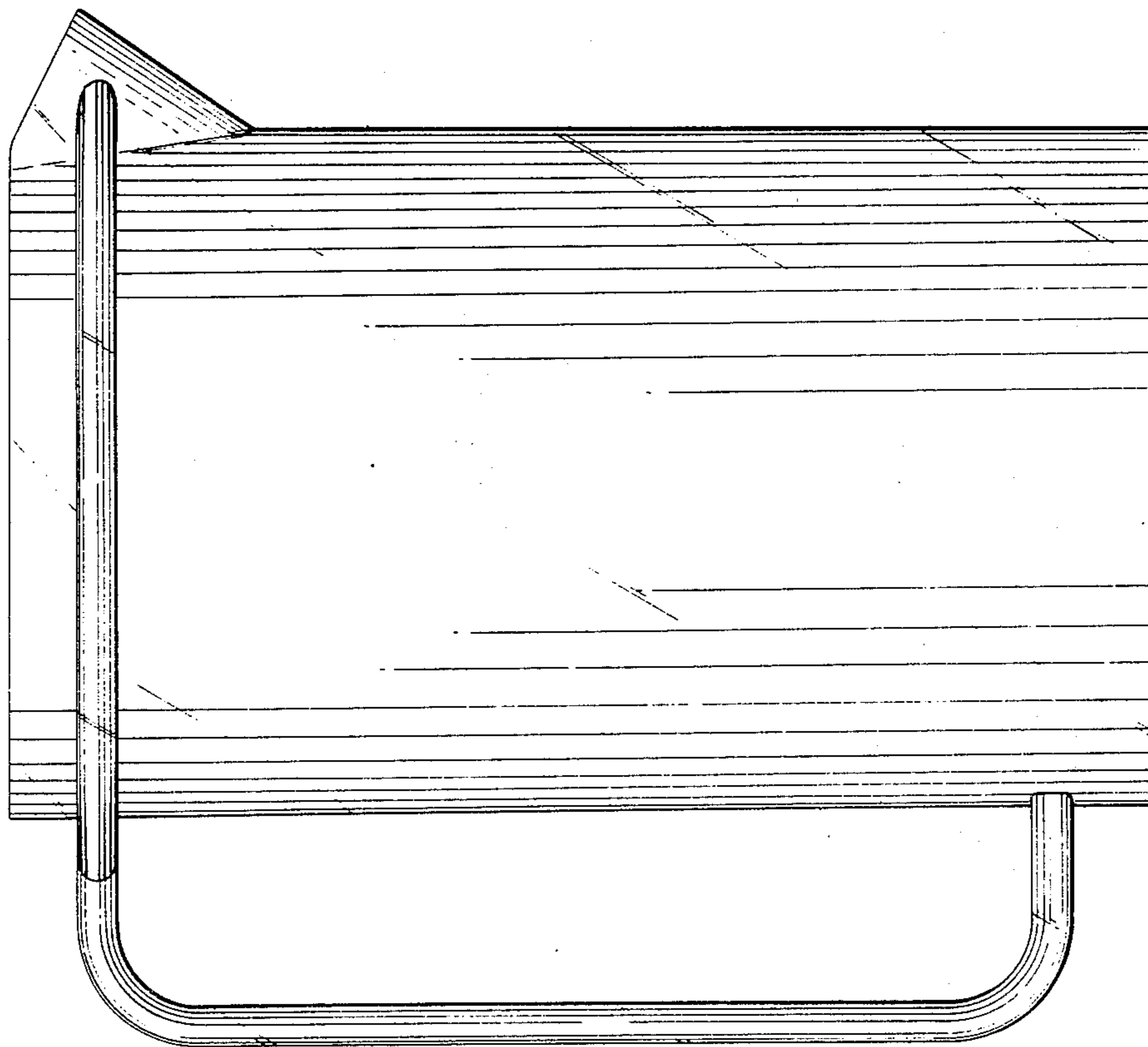


Fig. 3



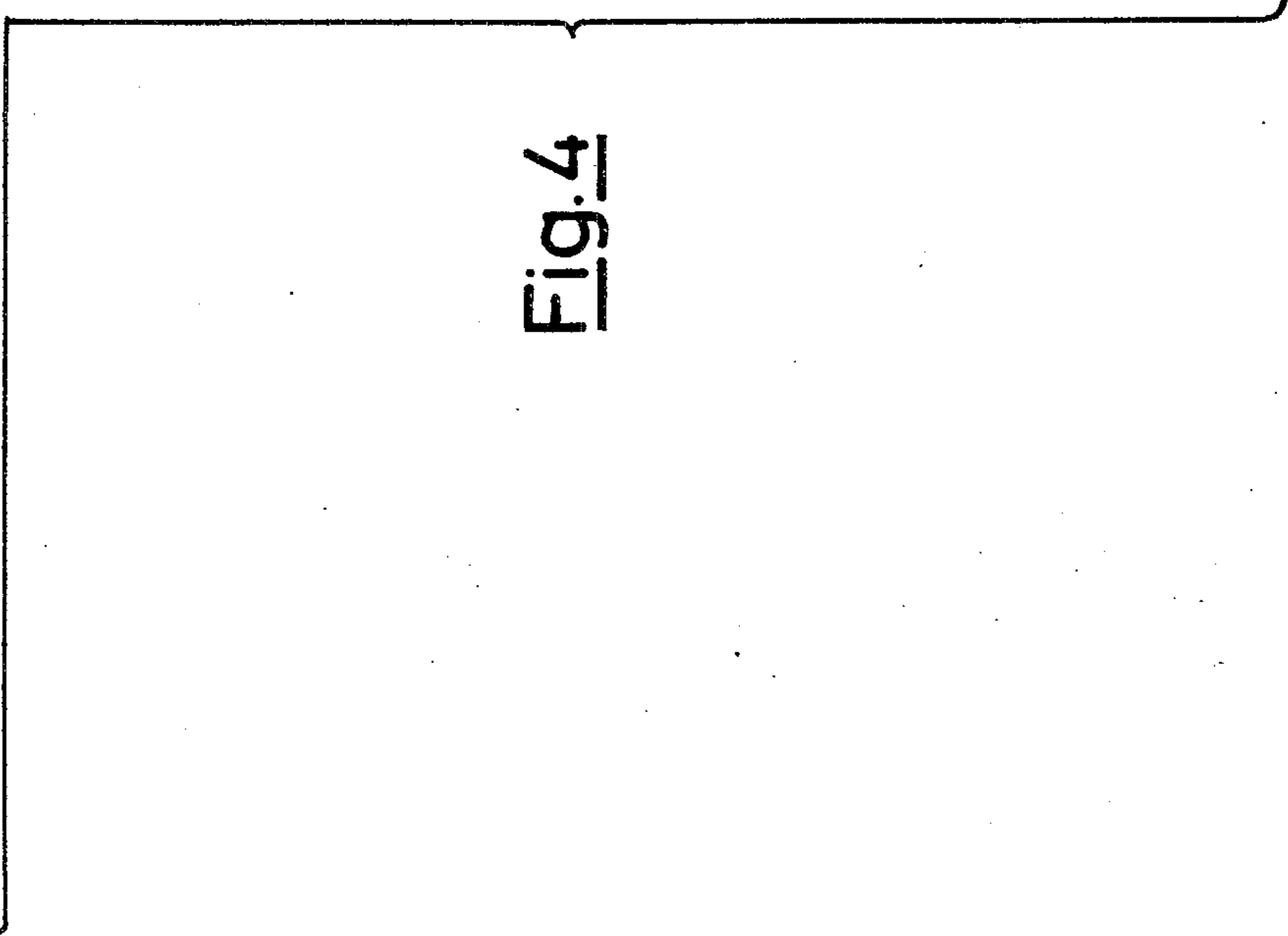
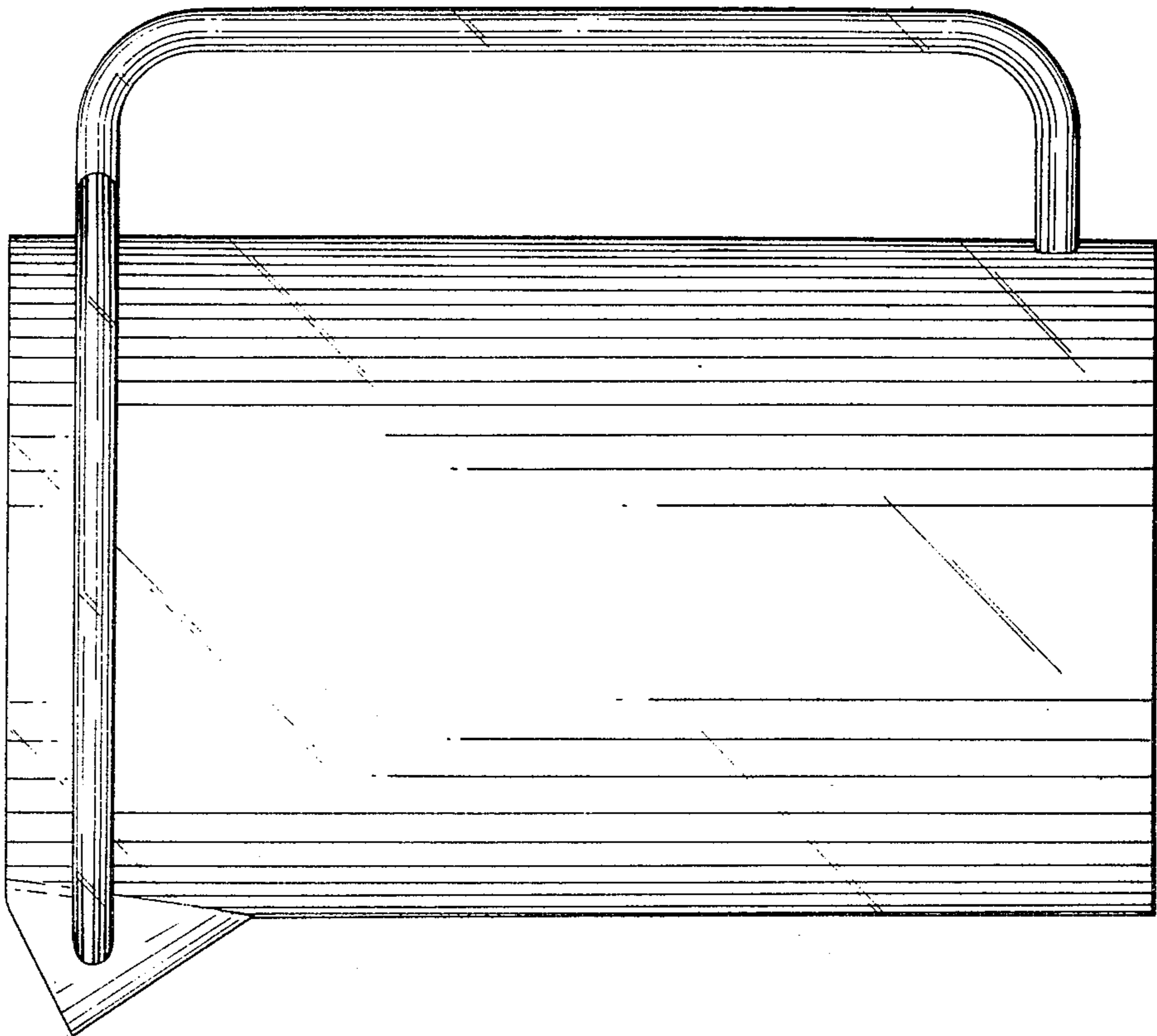


Fig. 4

Fig. 5

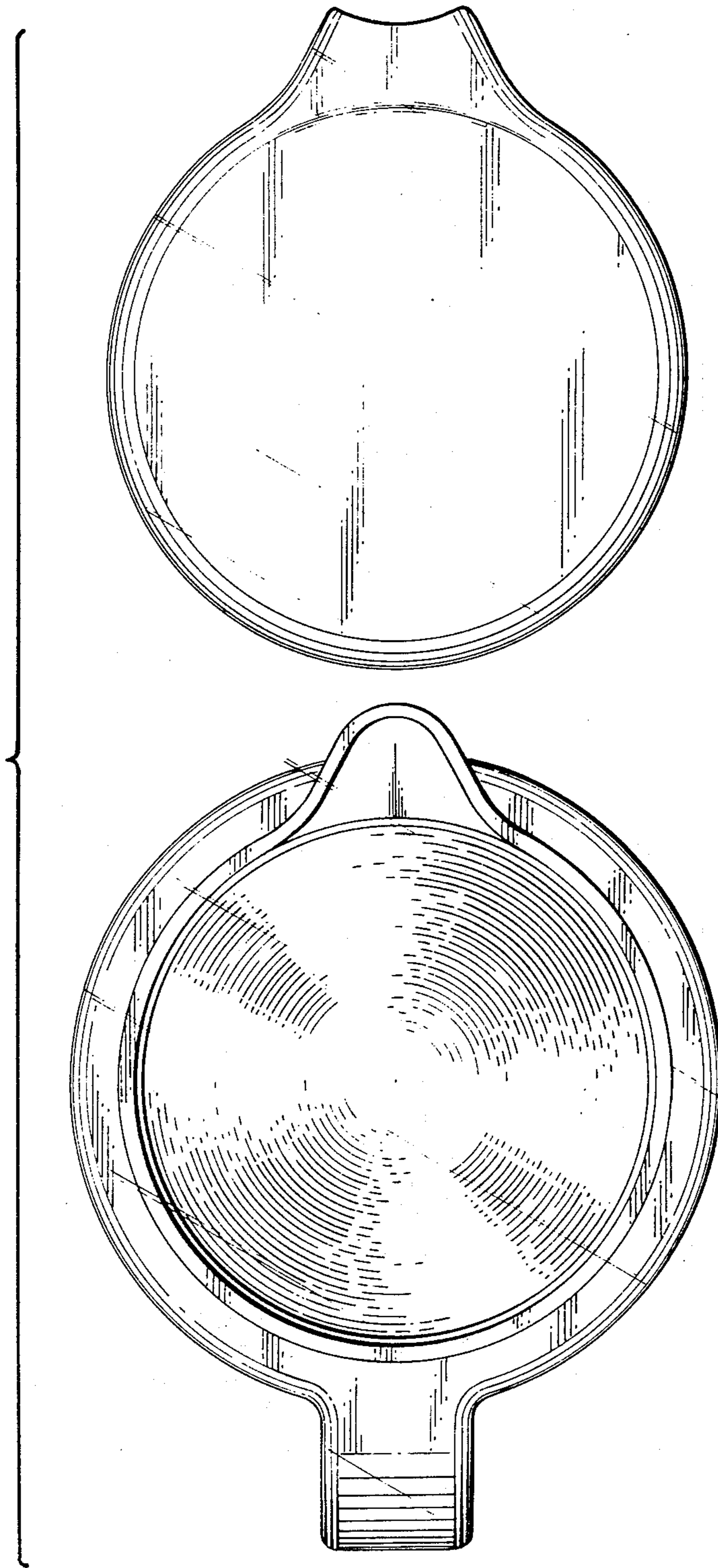


Fig. 6

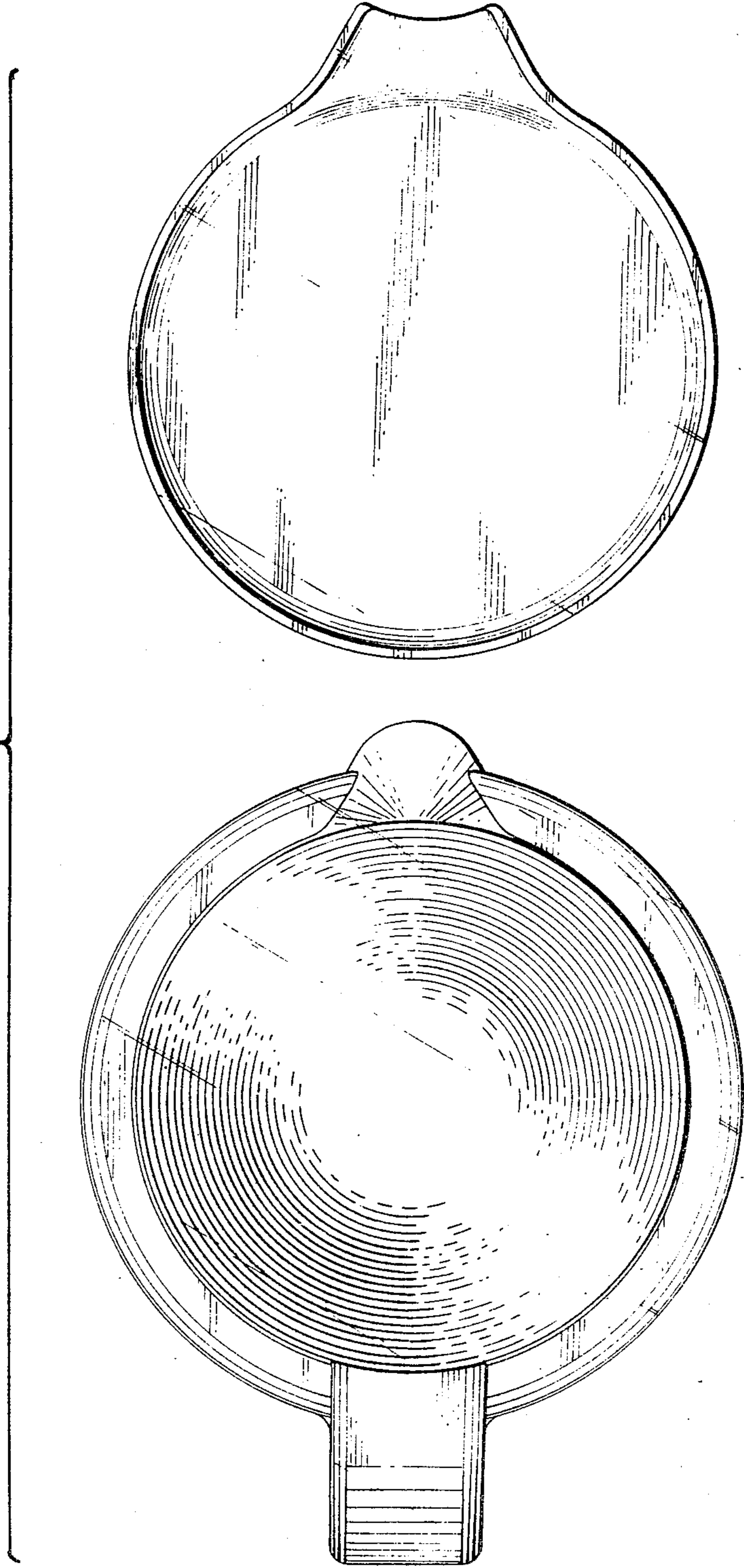


Fig. 8

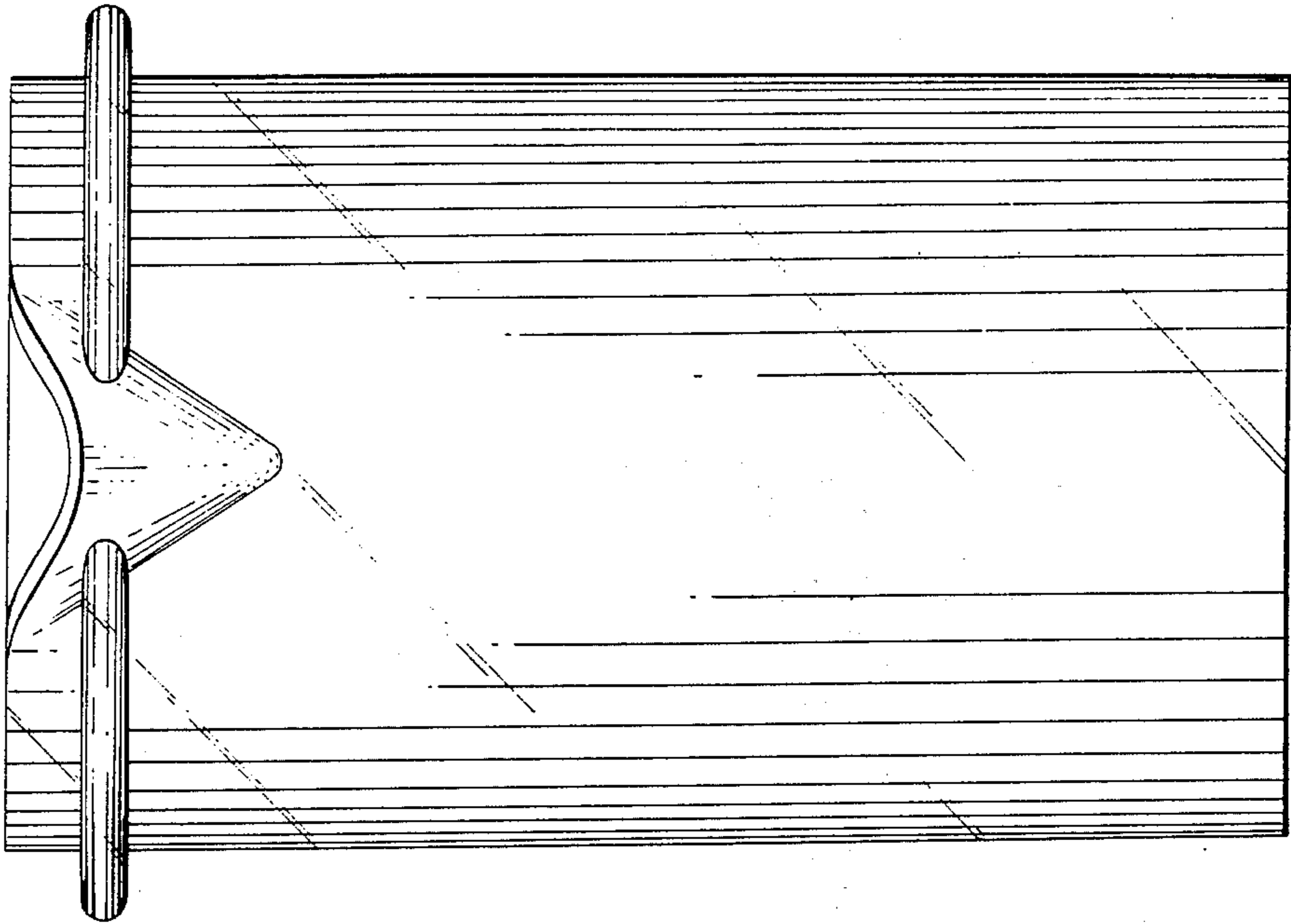


Fig. 7

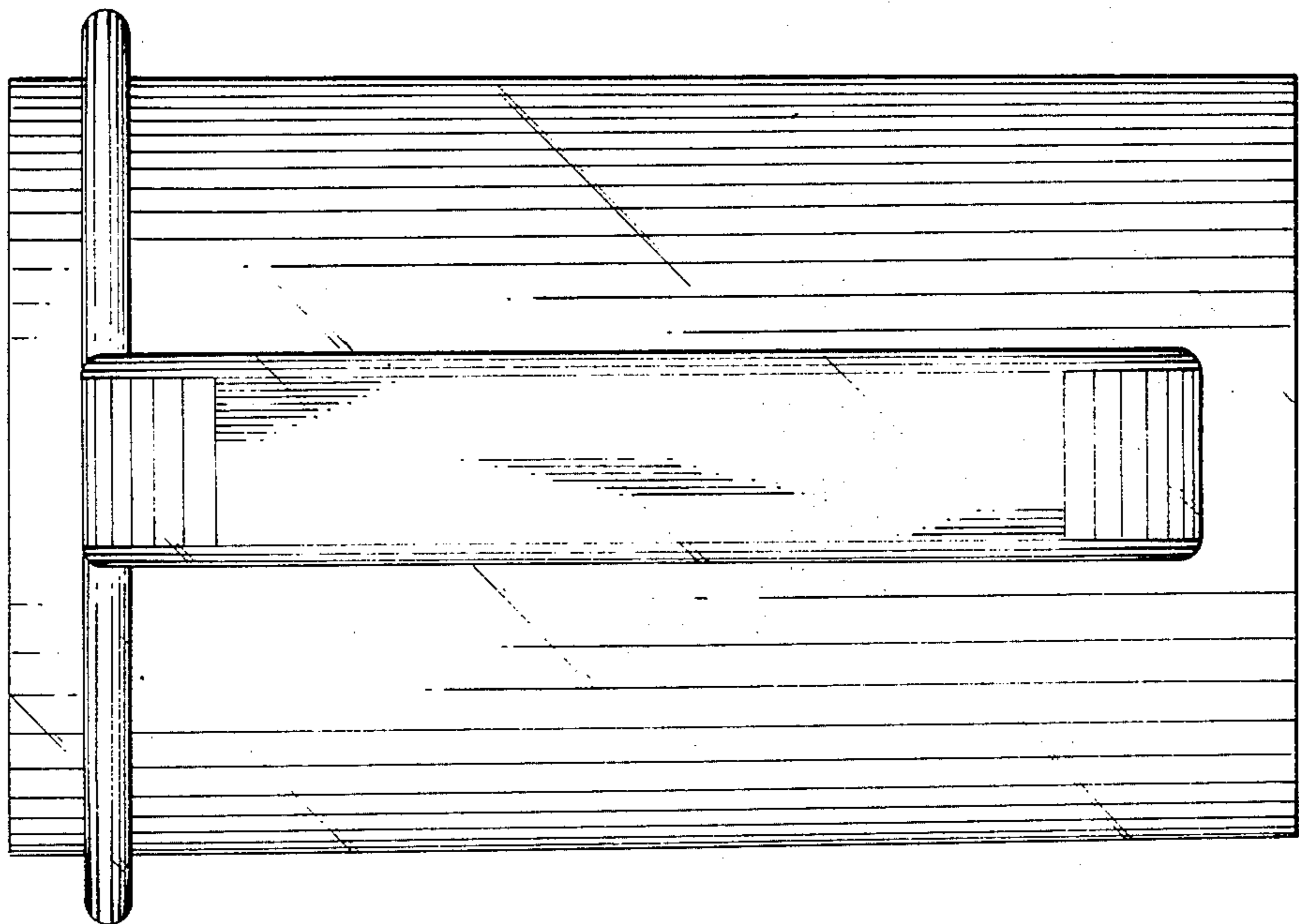


Fig. 9

