

[54] PELLET DISPENSER

[76] Inventor: Charles E. Lair, 11440 Surco Dr., San Diego, Calif. 92126

[**] Term: 14 Years

[21] Appl. No.: 525,000

[22] Filed: Aug. 22, 1983

[52] U.S. Cl. D7/76

[58] Field of Search D7/76, 300, 306, 311, D7/313; D20/1, 3, 7; 221/266; 222/368

[56] References Cited

U.S. PATENT DOCUMENTS

D. 89,718	4/1933	Reeves	D7/306
1,109,134	9/1914	Millard	222/368 X
2,041,703	5/1936	Gleason et al.	222/368 X
2,581,039	1/1952	Millstein	222/368 X
2,752,065	6/1956	Schupp	221/266 X

Primary Examiner—Bernard Ansher
Assistant Examiner—Terry Pfeffer
Attorney, Agent, or Firm—Selwyn S. Berg

[57] CLAIM

The ornamental design for a pellet dispenser, as shown and described.

DESCRIPTION

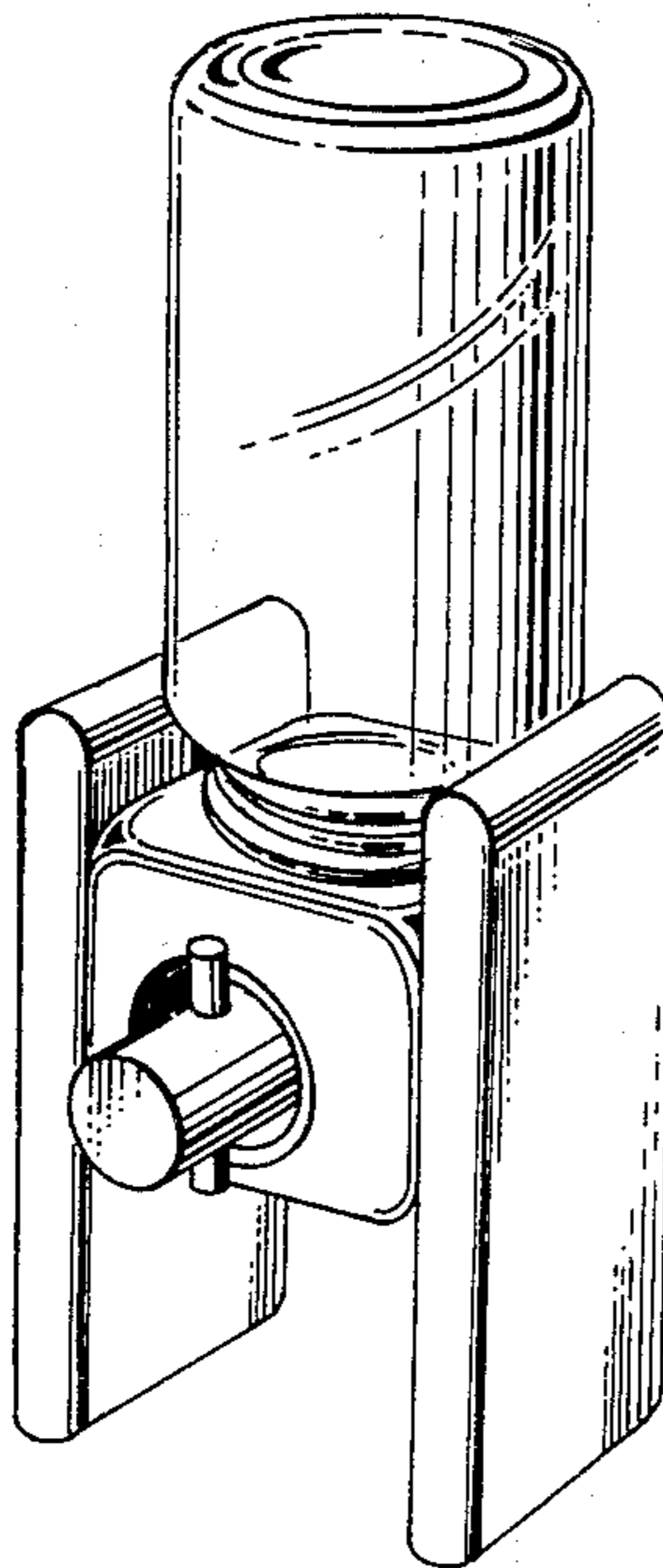
FIG. 1 is a perspective view of a pellet dispenser showing my new design, the sides not shown being mirror images of those shown;

FIG. 2 is a perspective view of the rotatable dispensing drawer shown separate for clarity of illustration;

FIG. 3 is a top plan view thereof with the dome shown removed for clarity of illustration;

FIG. 4 is a cross-section taken along line 4—4 of FIG. 3; and

FIG. 5 is a bottom plan view thereof.



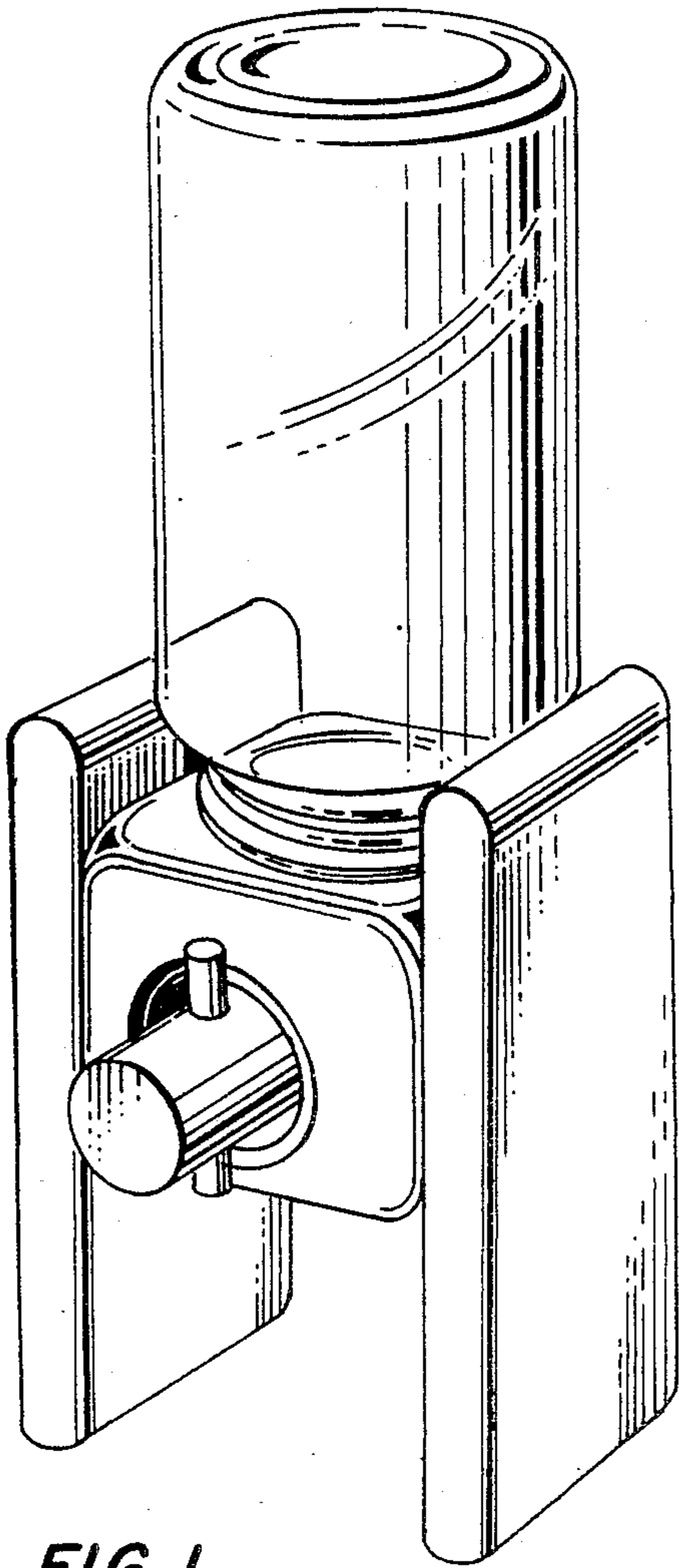


FIG. 1

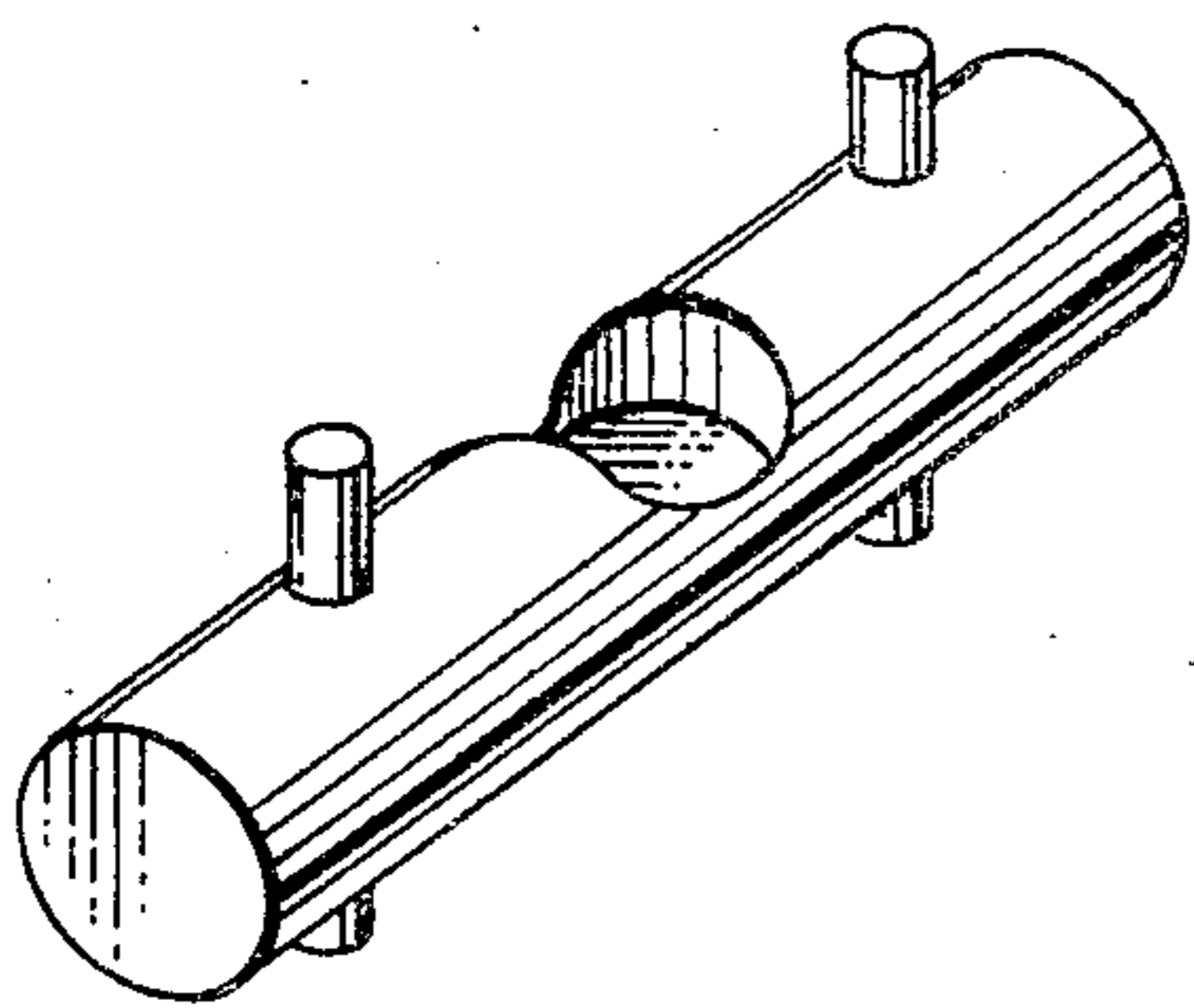


FIG. 2

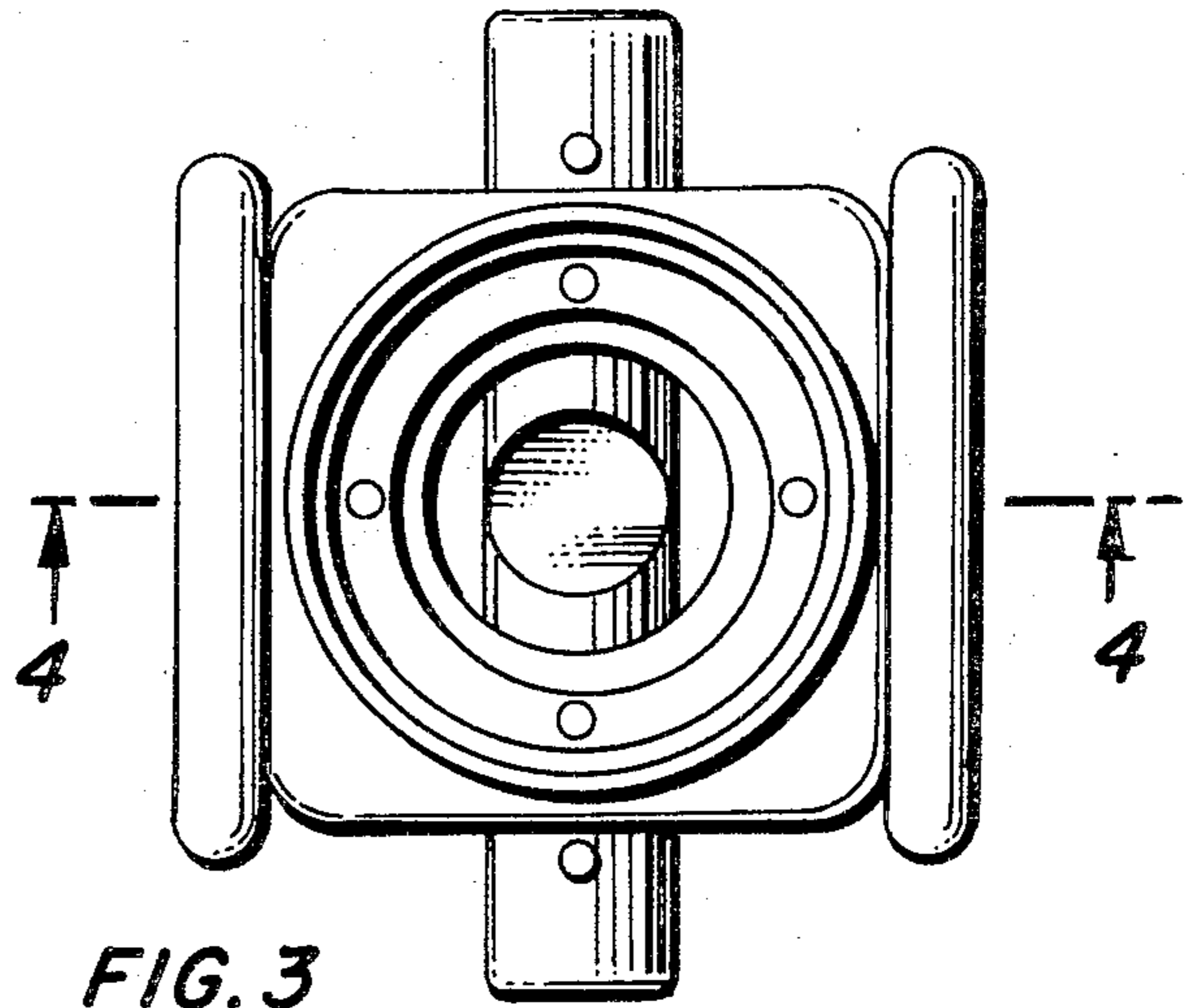


FIG. 3

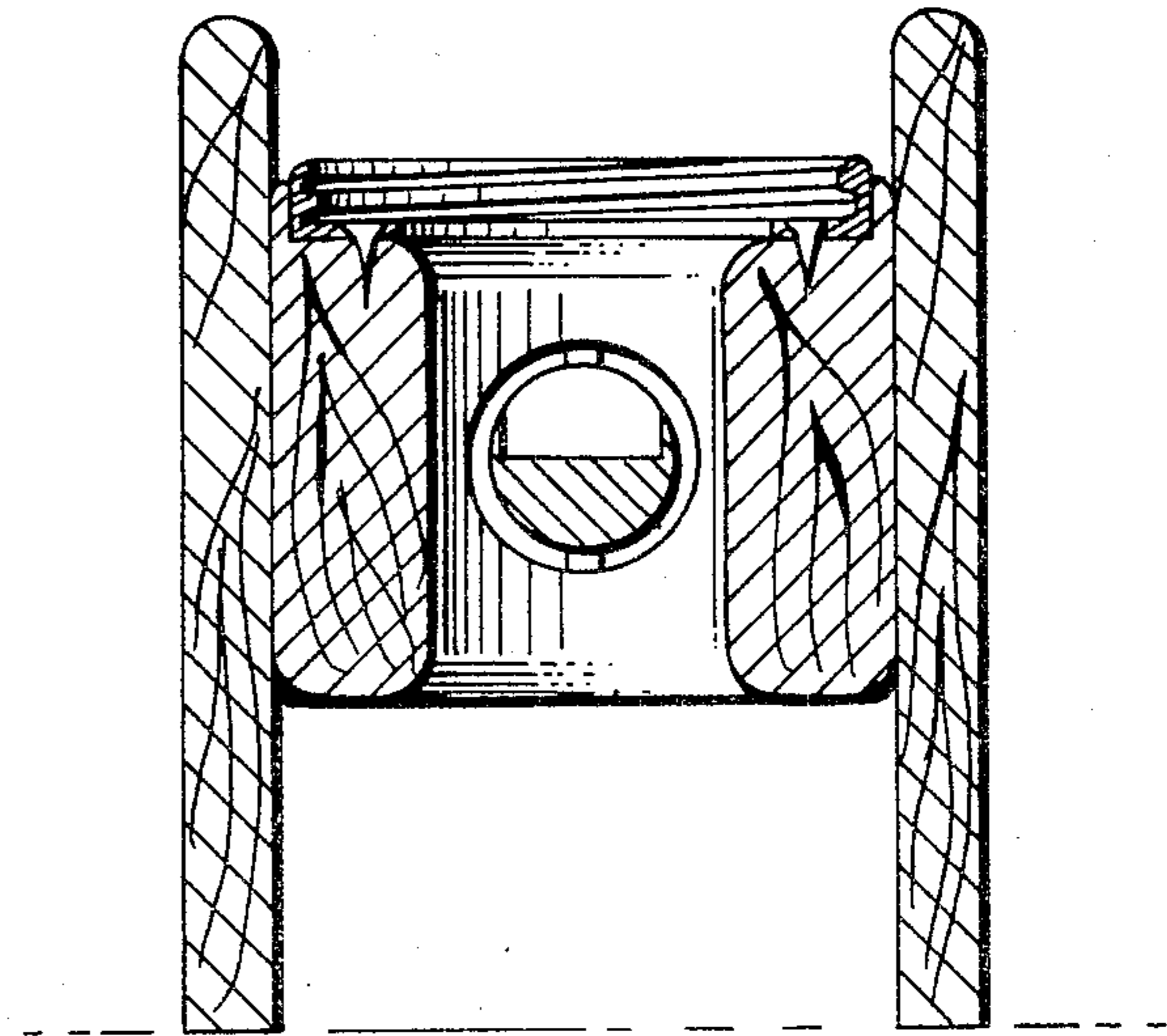


FIG. 4

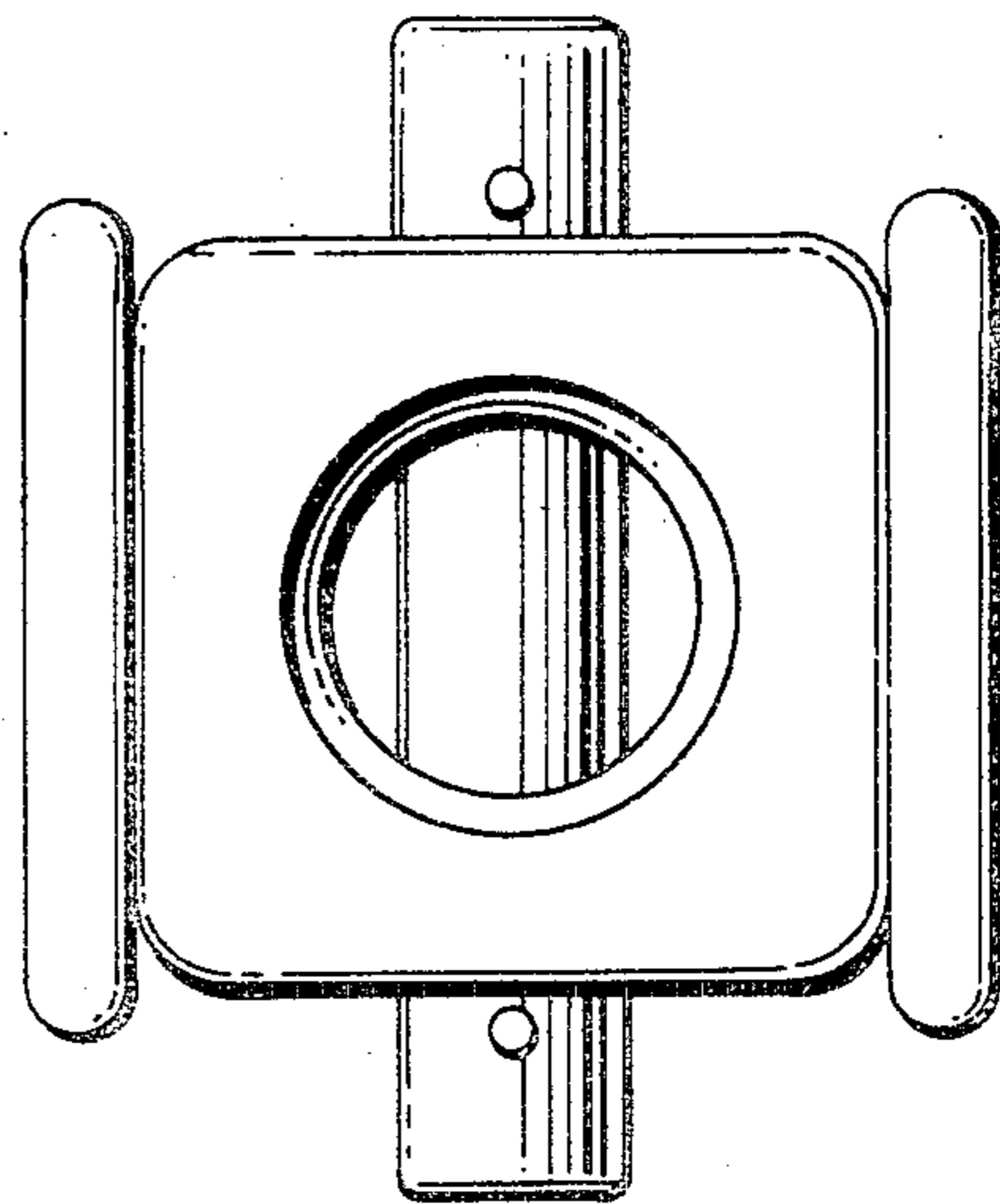


FIG. 5