

[54] SOAP DISH

[76] Inventor: Vanda J. Bussell, 283 Nottingham Rd., Ramsey, N.J. 07446

[**] Term: 14 Years

[21] Appl. No.: 625,730

[22] Filed: Jun. 28, 1984

[52] U.S. Cl. D6/536

[58] Field of Search D6/512, 524, 536-540; 211/65, 66, 70, 71, 88; 206/77.1; 248/311.2, 309.1, 314

[56] References Cited

U.S. PATENT DOCUMENTS

D. 130,579	12/1941	Dreyfuss	D6/536
D. 154,649	7/1949	White, Jr.	D6/536
D. 154,903	8/1949	Caldwell	D6/536
2,842,893	7/1958	Howerton	206/77.1

4,133,443 1/1979 Medina et al. 248/311.2

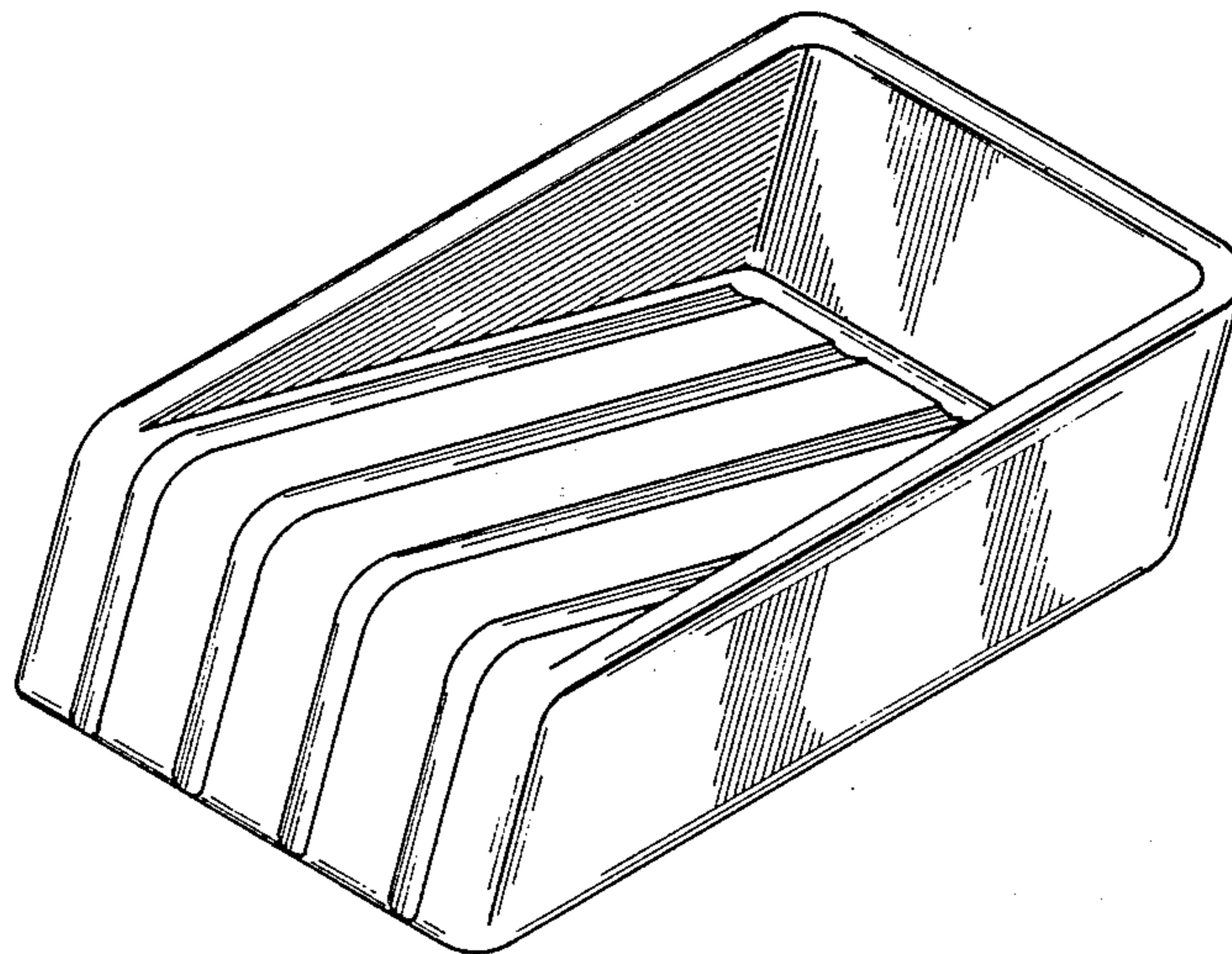
Primary Examiner—Wallace R. Burke
Assistant Examiner—Suzanne N. Gitlin
Attorney, Agent, or Firm—Joseph A. Giampapa; Melvin K. Silverman

[57] CLAIM

The ornamental design for a soap dish, as shown and described.

DESCRIPTION

FIG. 1 is a perspective view of a soap dish showing my new design;
FIG. 2 is a side elevational view taken from the right of FIG. 1;
FIG. 3 is a front elevational view thereof;
FIG. 4 is a rear elevational view thereof;
FIG. 5 is a top plan view thereof;
FIG. 6 is a bottom plan view thereof.



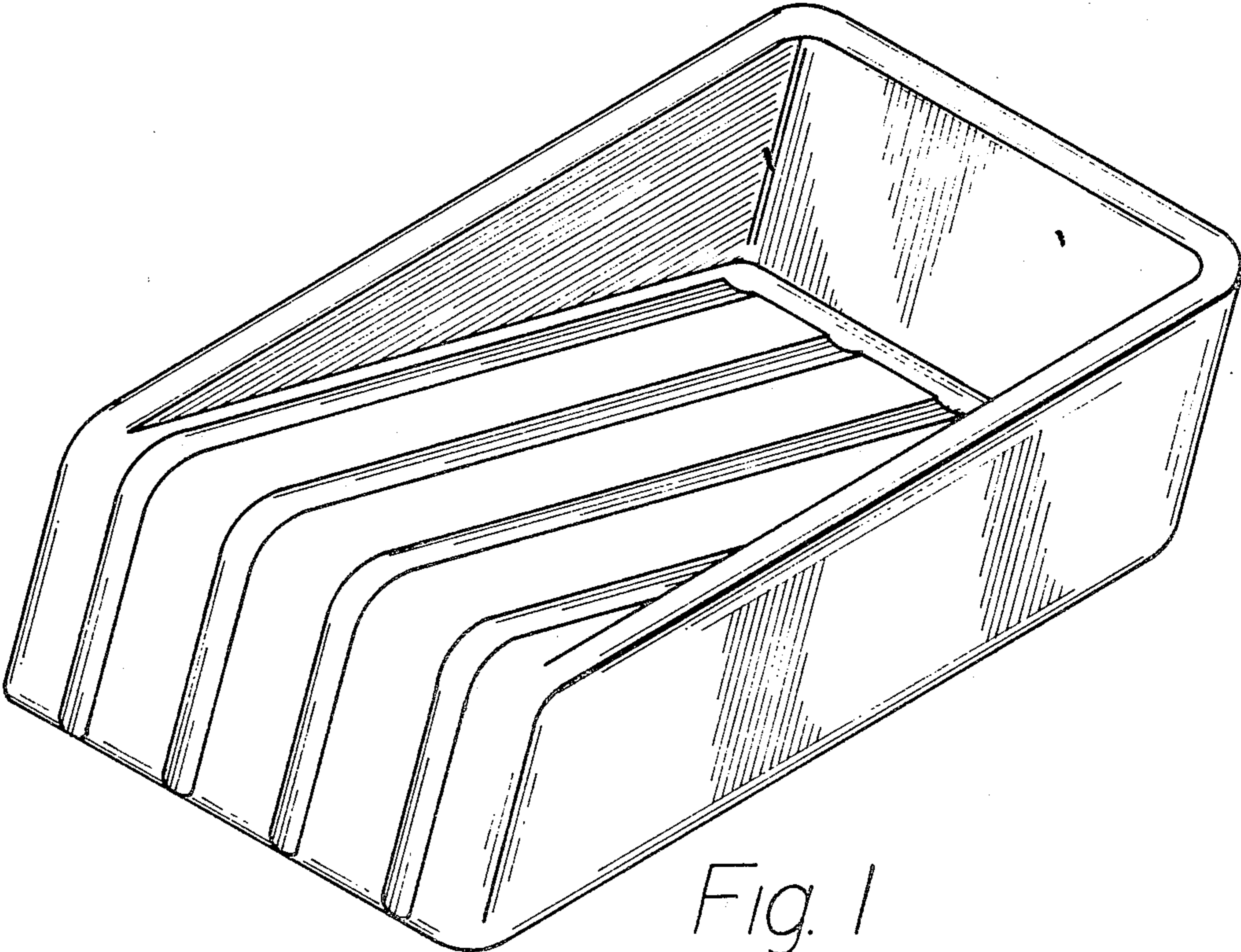


Fig. 1

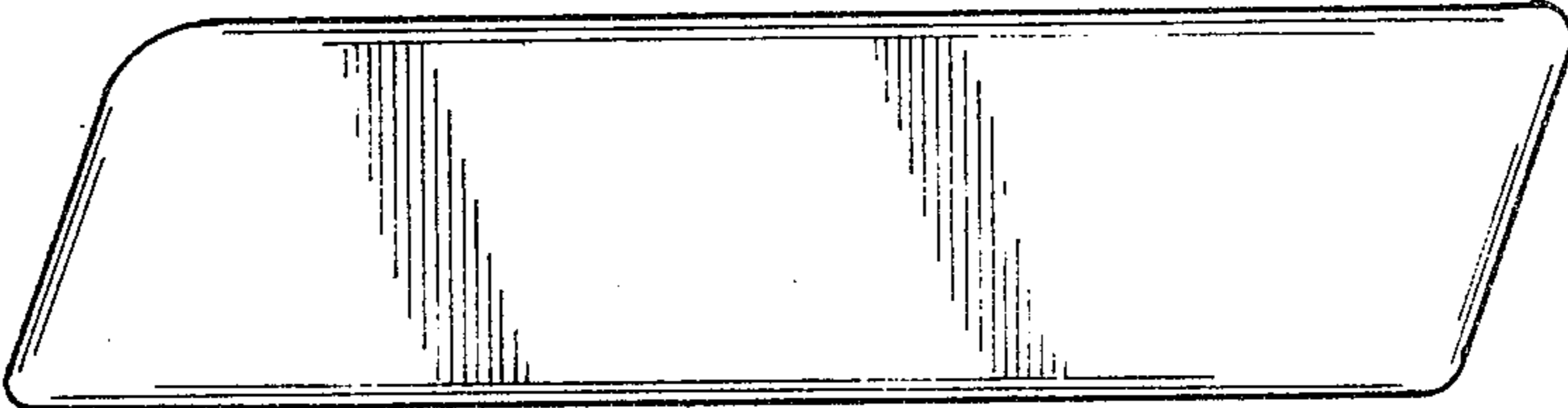


Fig. 2

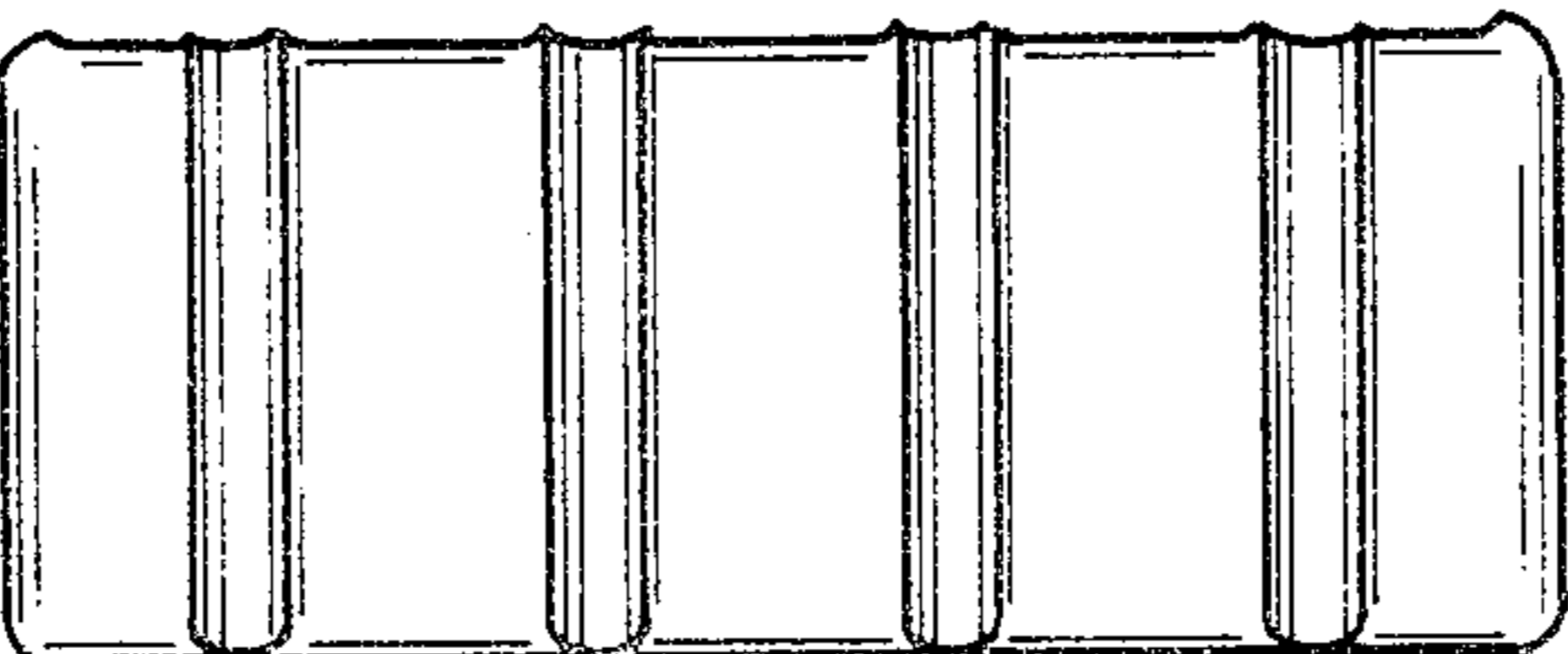


Fig. 3

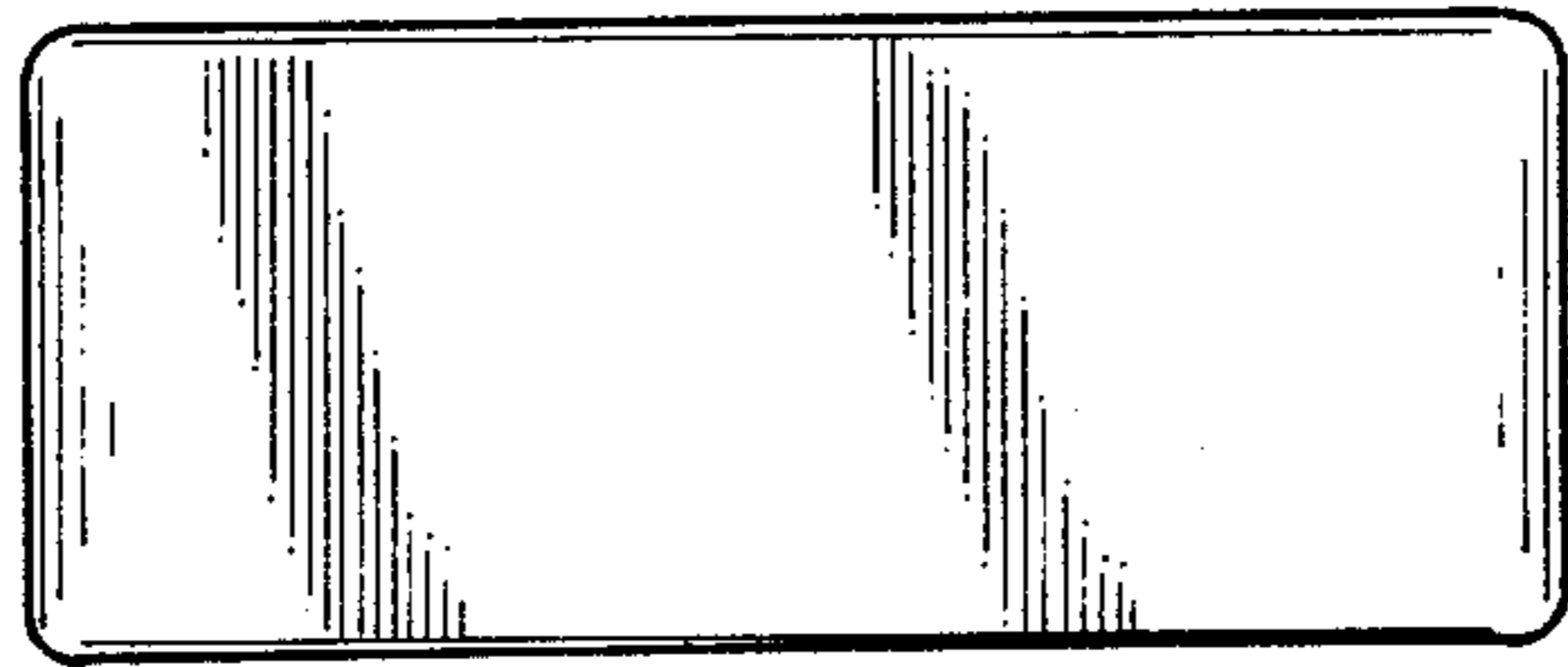


Fig. 4

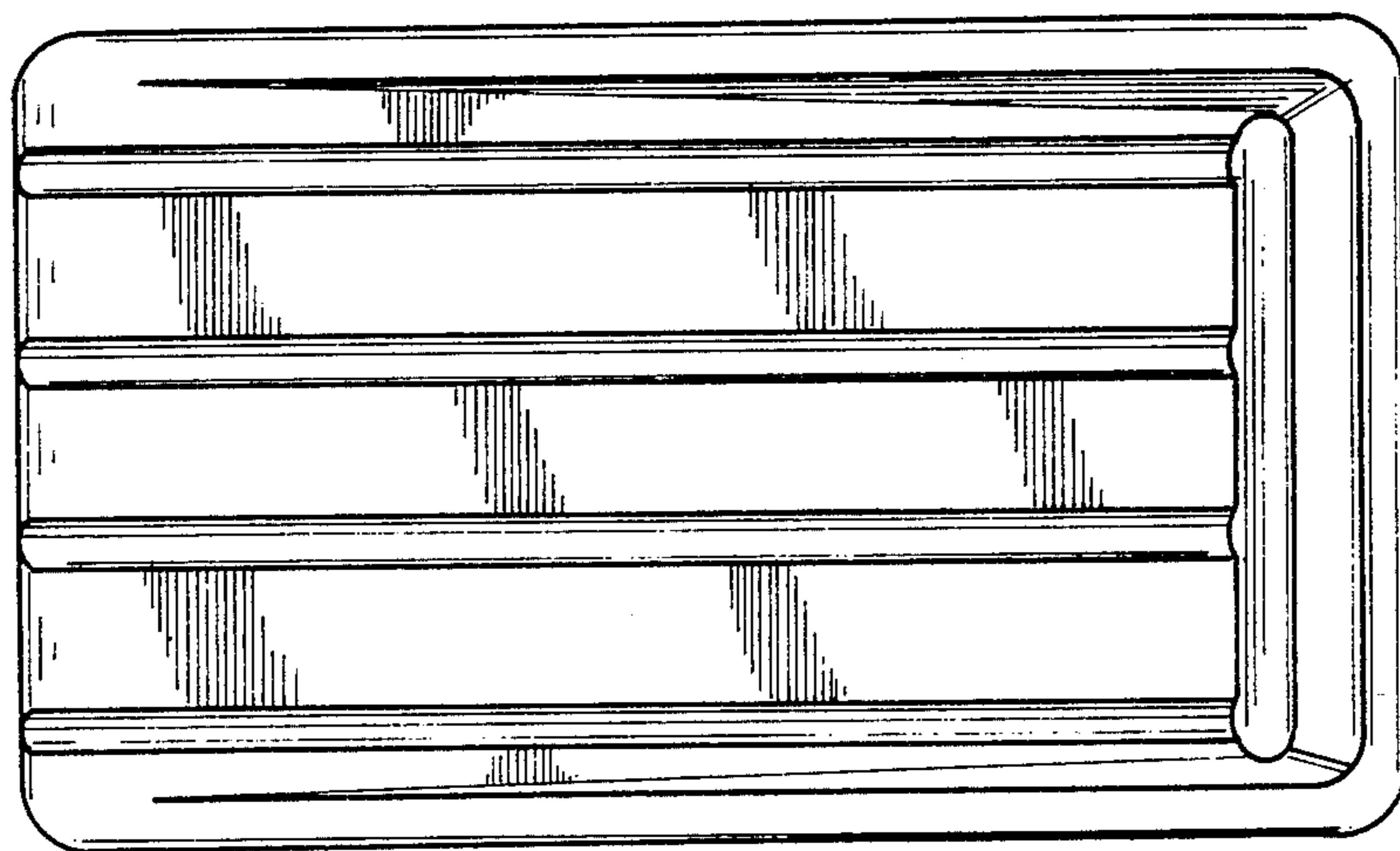


Fig. 5

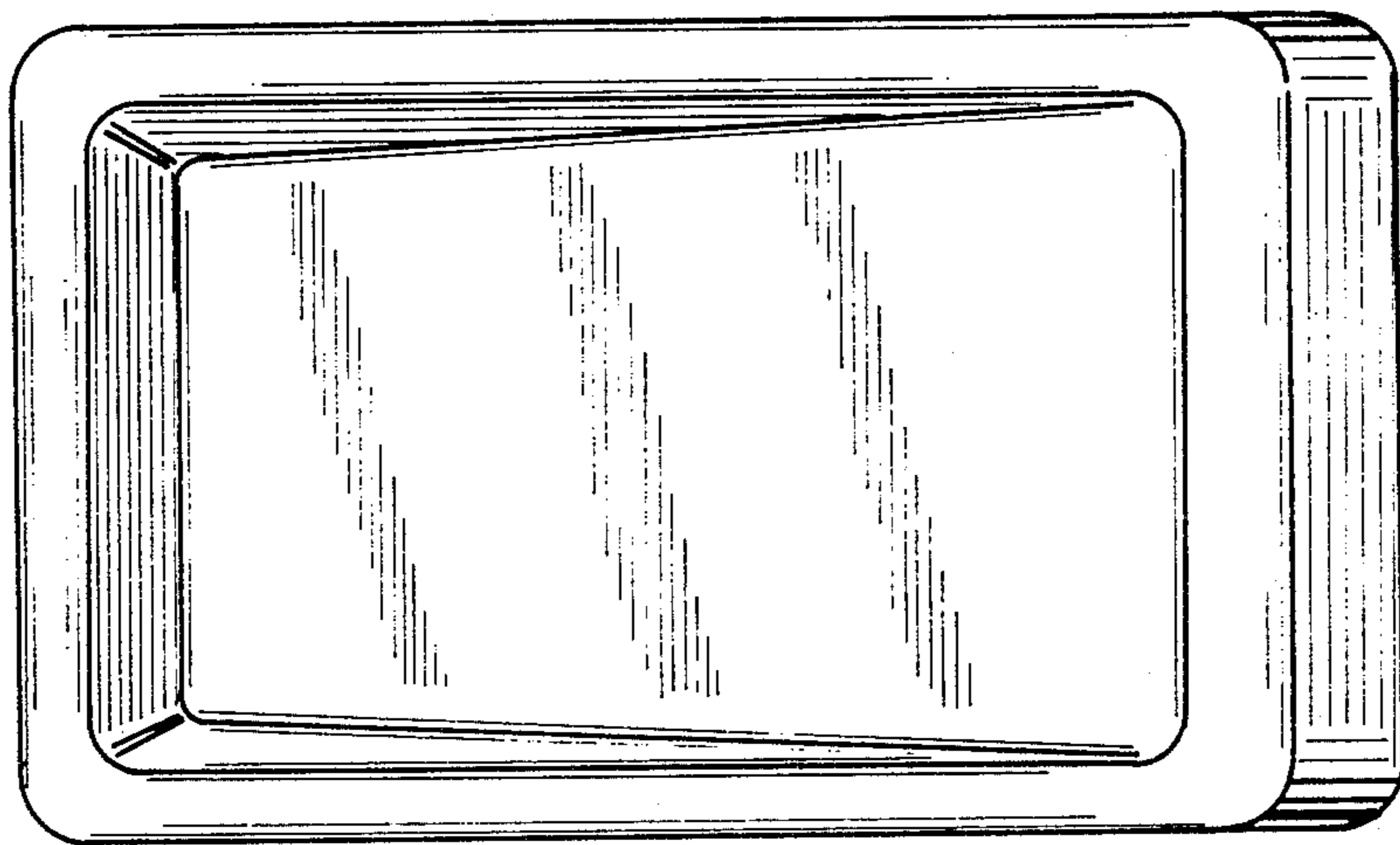


Fig. 6