

[54] MULTI-TIERD DATA PROCESSING WORK TABLE OR SIMILAR ARTICLE

[76] Inventor: Claude J. Robolin, P.O. Box 592, Lavonia, Ga. 30553

[**] Term: 14 Years

[21] Appl. No.: 614,539

[22] Filed: May 29, 1984

[52] U.S. Cl. D6/474; D6/426; D6/478; D6/479

[58] Field of Search D6/422-428, D6/449, 473-487; 108/6; 248/441 B, 460; 312/231

[56] References Cited

U.S. PATENT DOCUMENTS

D. 268,312	3/1983	Römpötti	D6/474 X
D. 274,586	7/1984	Cope	D6/474 X
D. 278,583	4/1985	Koguma	D6/426
D. 279,740	7/1985	Slager	D6/478
4,077,333	3/1978	Ballas	312/231

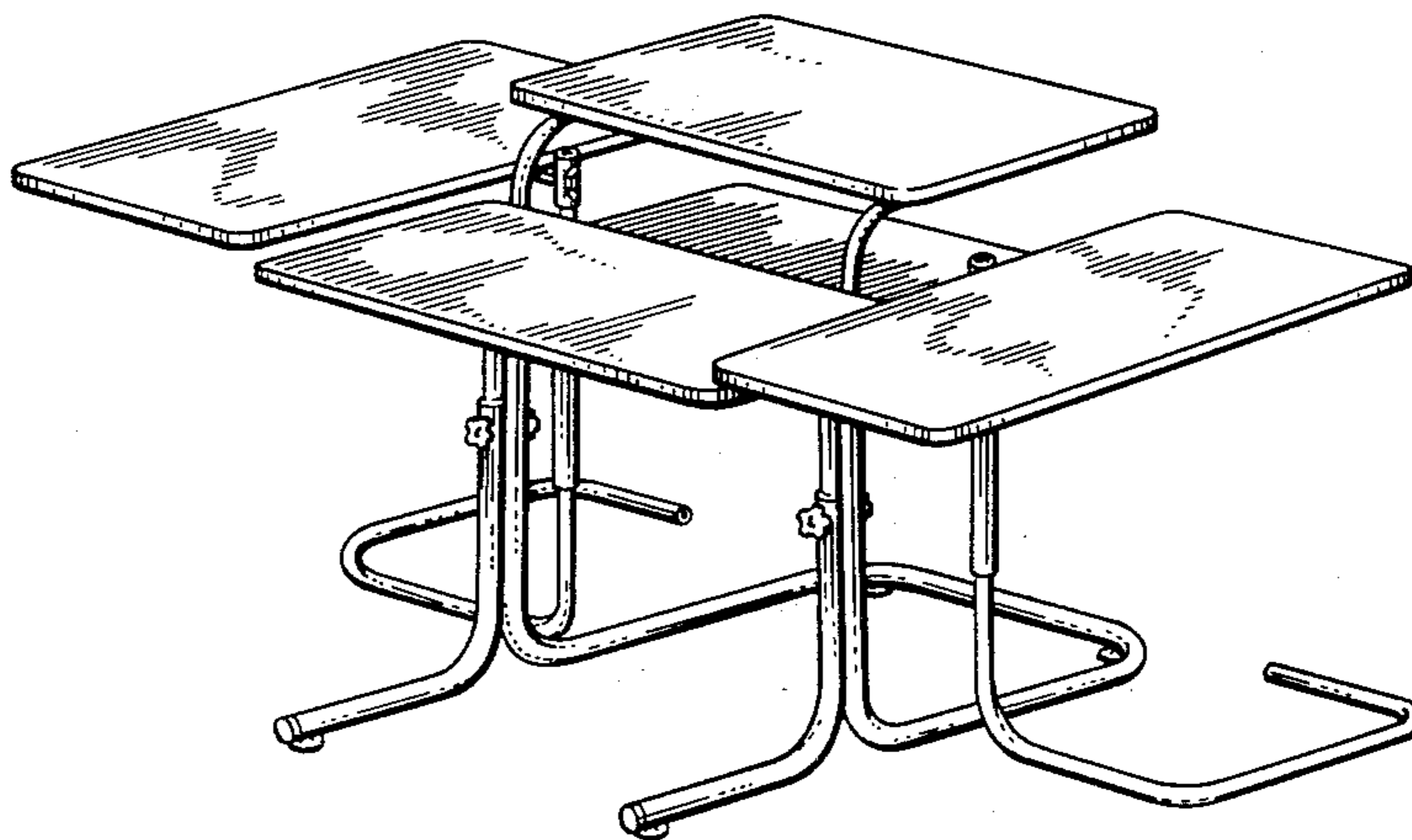
Primary Examiner—Bruce W. Dunkins
Attorney, Agent, or Firm—Thomas & Kennedy

[57] CLAIM

The ornamental design for a multi-tiered data processing work table or similar article, substantially as shown and described.

DESCRIPTION

FIG. 1 is a perspective view of a multi-tiered data processing work table or similar article showing my design; FIG. 2 is a front elevational view of a multi-tiered data processing work table or similar article; FIG. 3 is a rear elevational view of a multi-tiered data processing work table or similar article; FIG. 4 is a side elevational view of a multi-tiered data processing work table or similar article, the other side being a mirror image thereof; FIG. 5 is a plan view of a multi-tiered processing work table or similar article; and FIG. 6 is a bottom view of a multi-tiered processing work table or similar article.



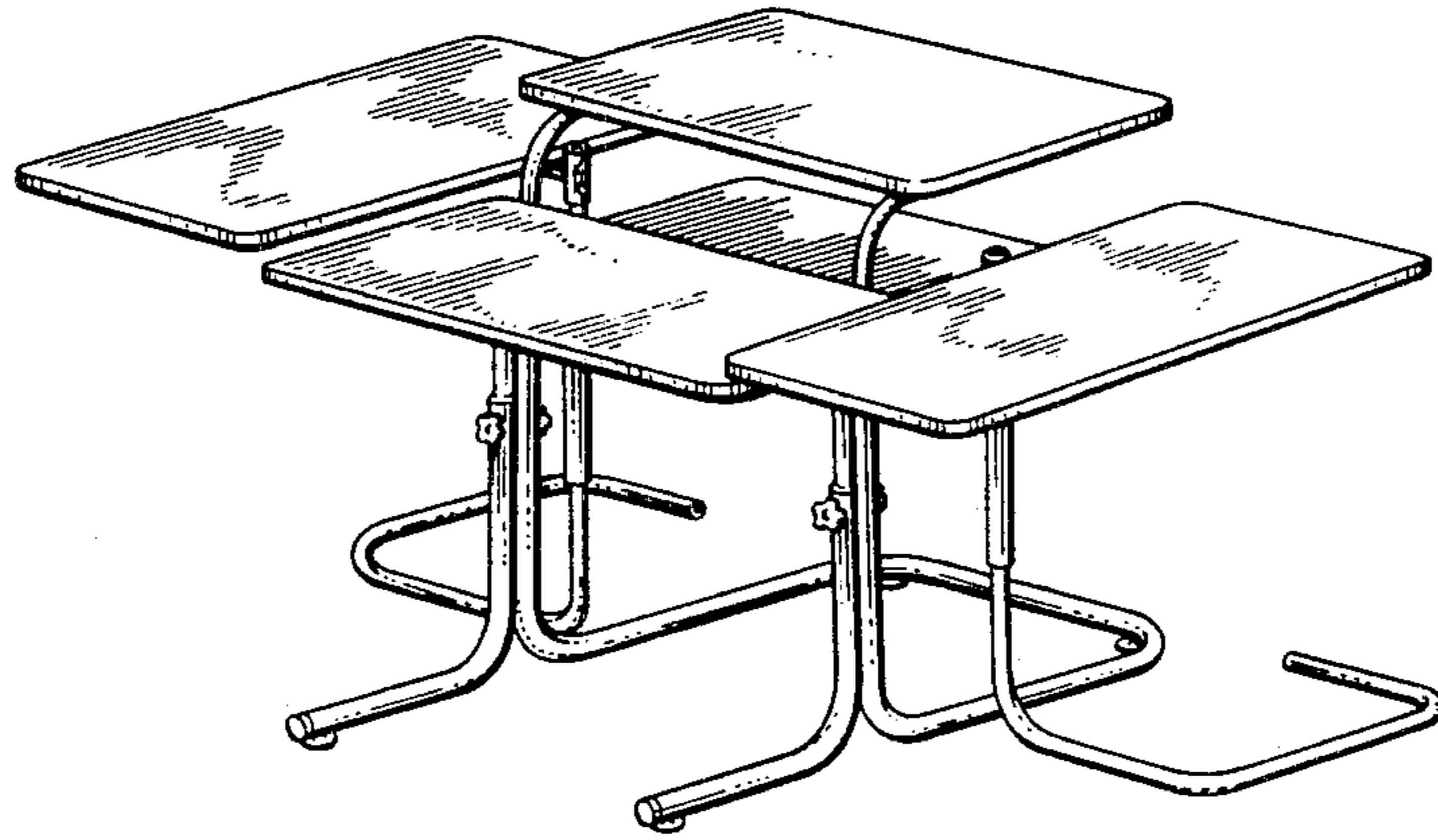


FIG. 1

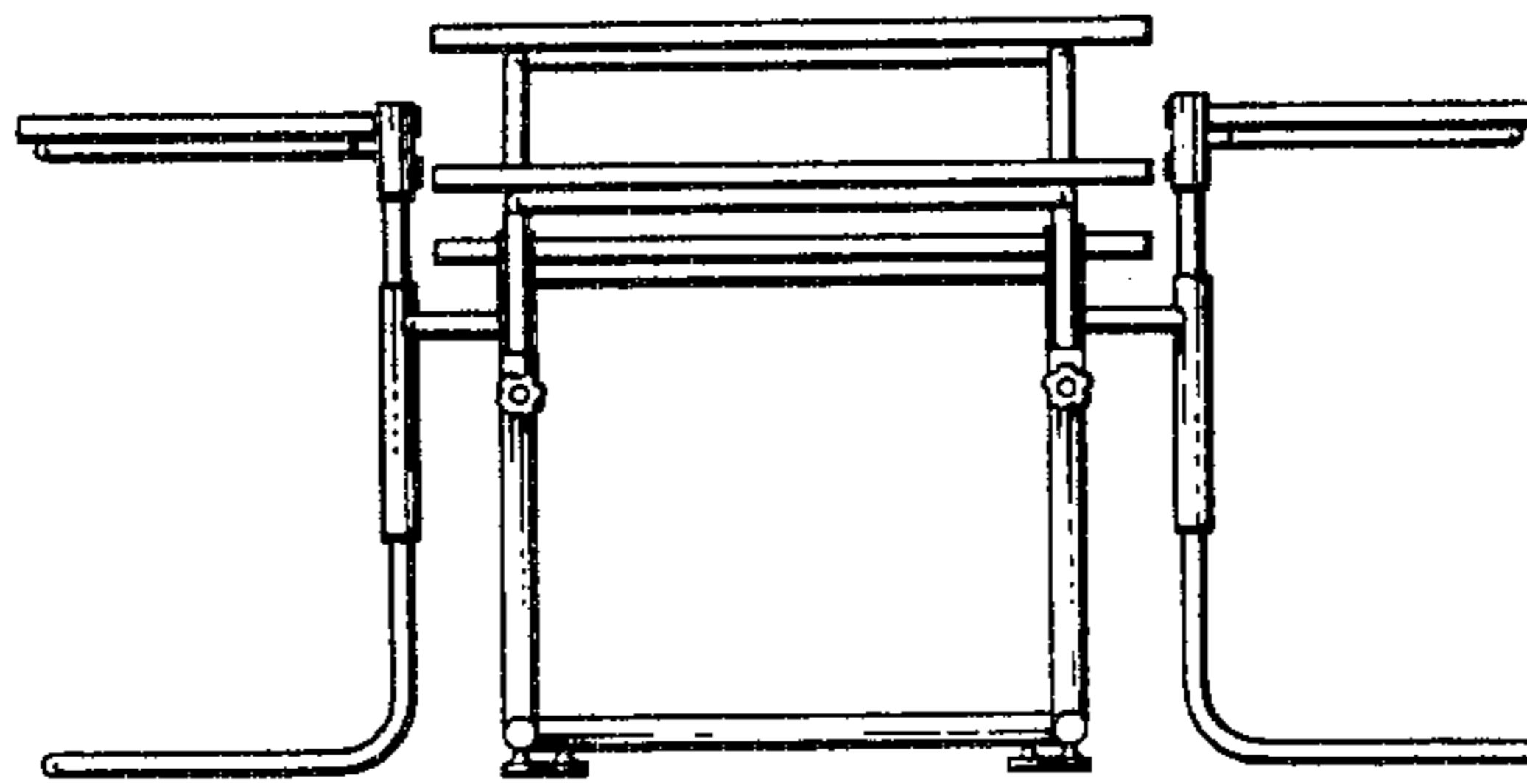


FIG. 2

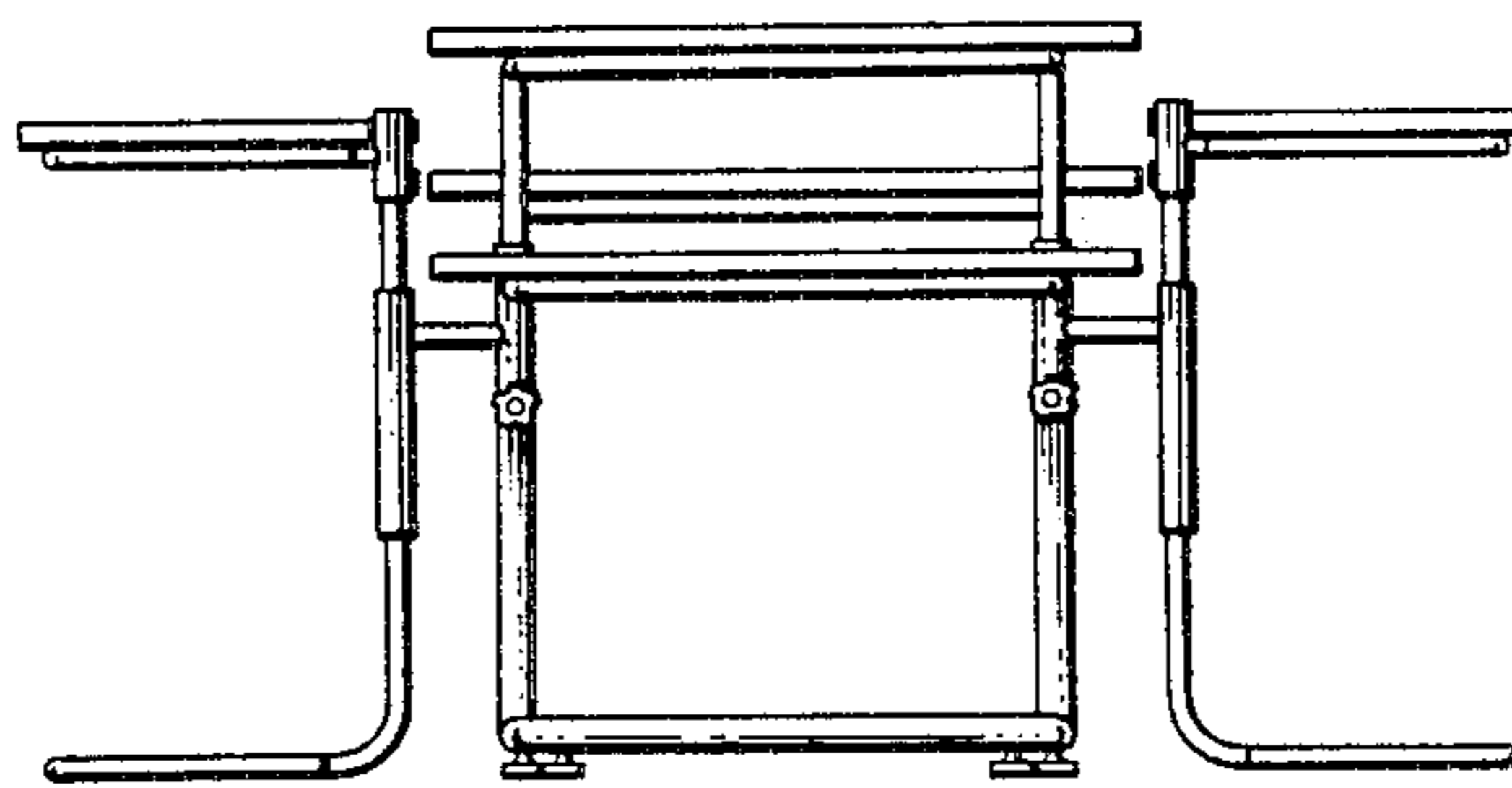


FIG. 3

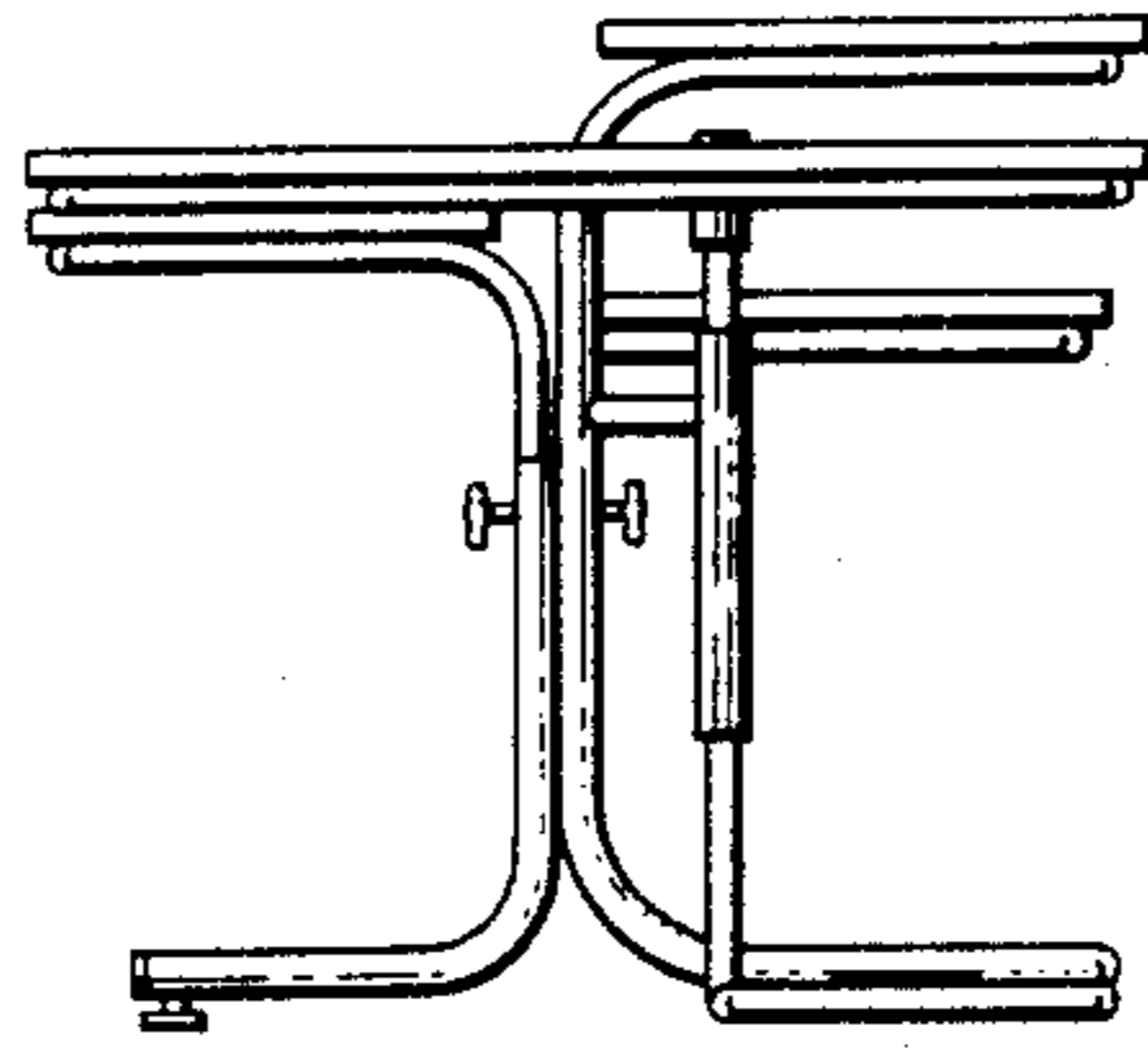


FIG. 4

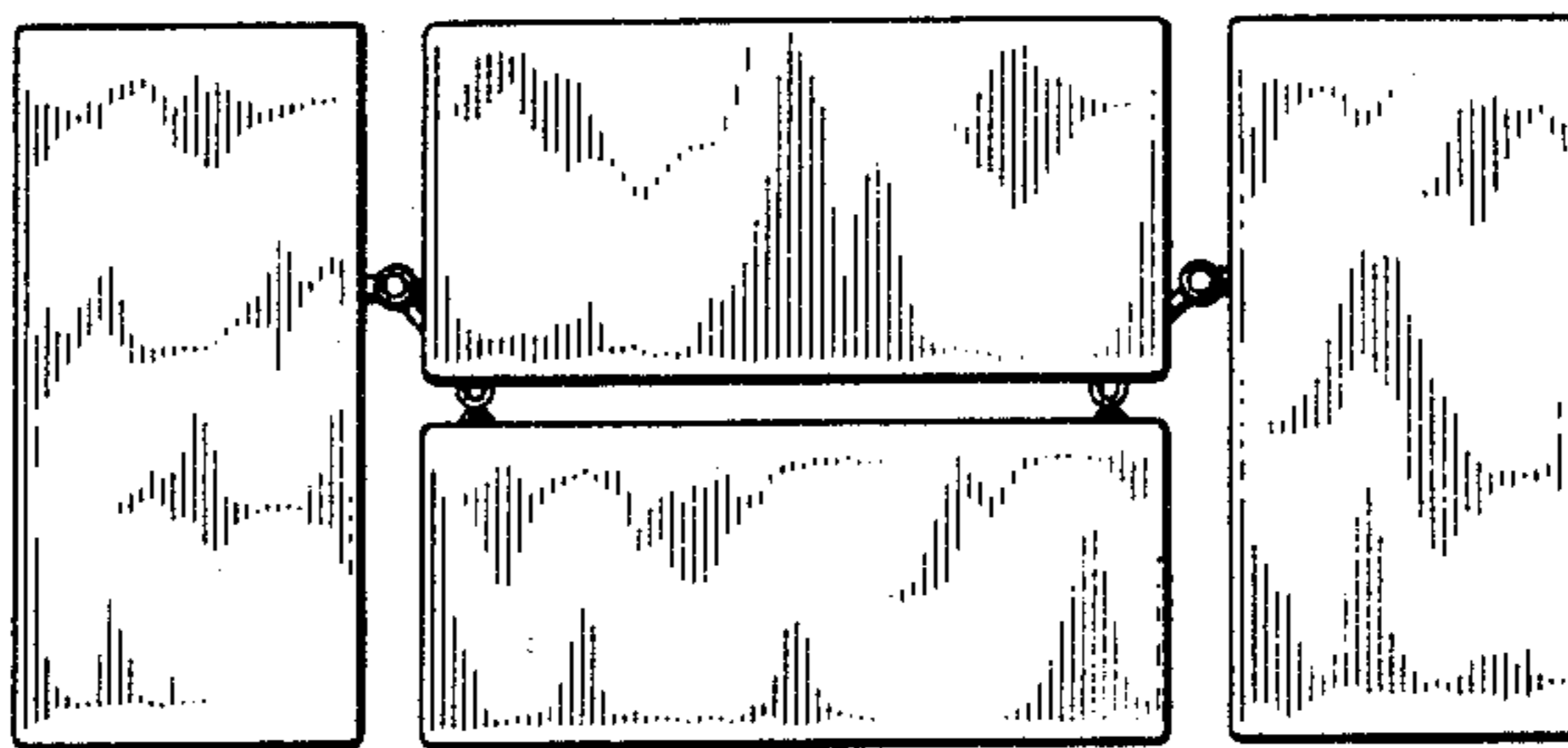


FIG. 5

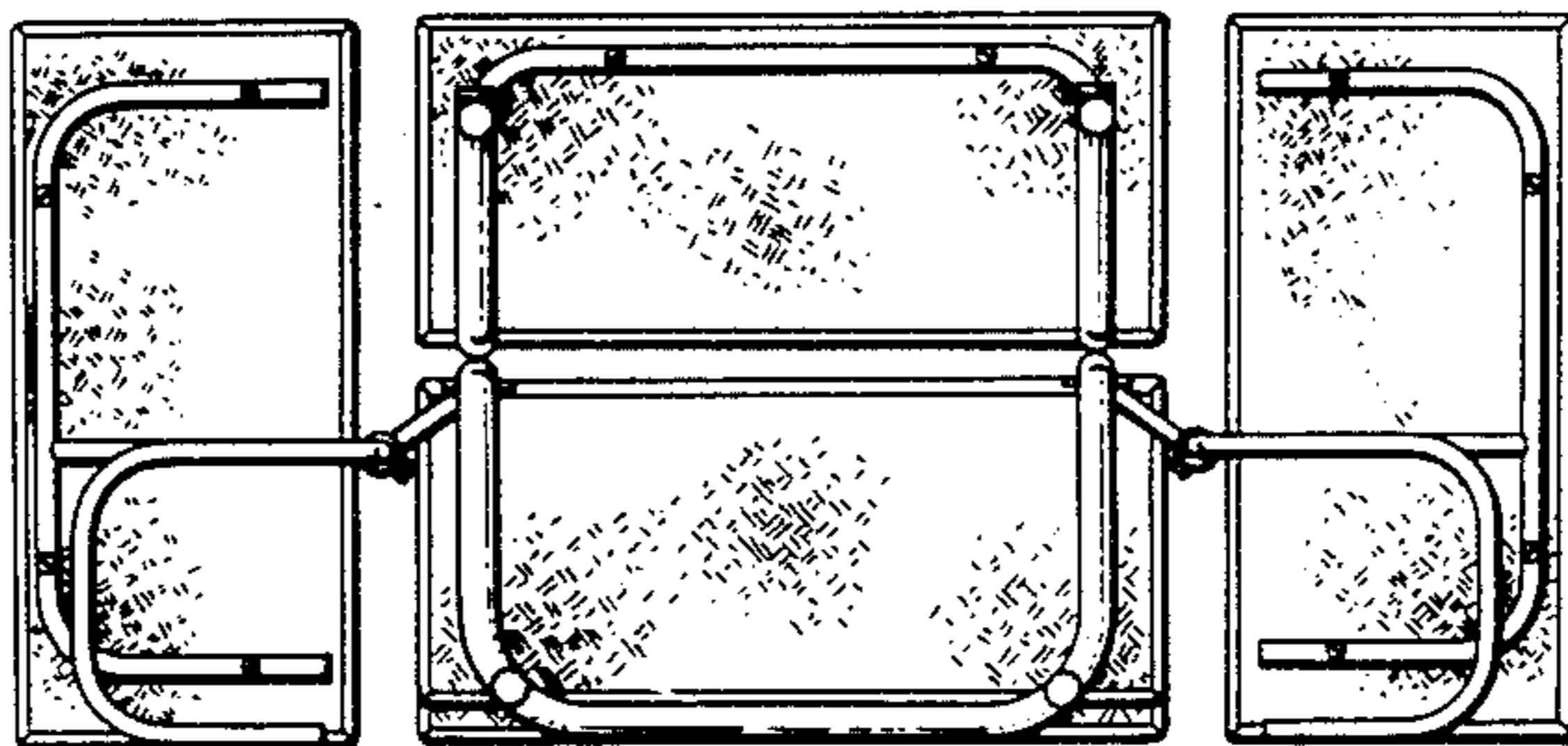


FIG. 6