

[54] **ADJUSTABLE COMPUTER STAND**

[76] **Inventor: William Huculak, 1801 Pepper Rd.,  
Petaluma, Calif. 94952**

[\*\*] **Term: 14 Years**

[21] **Appl. No.: 524,430**

[22] **Filed: Aug. 18, 1983**

[52] **U.S. Cl. .... D6/430; D6/426;  
D6/477**

[58] **Field of Search ..... D6/406, 429, 430, 449,  
D6/491, 426, 427, 477, 478, 479, 480, 431;  
312/196, 223**

[56] **References Cited**

**U.S. PATENT DOCUMENTS**

D. 277,914 3/1985 Haus ..... D6/426

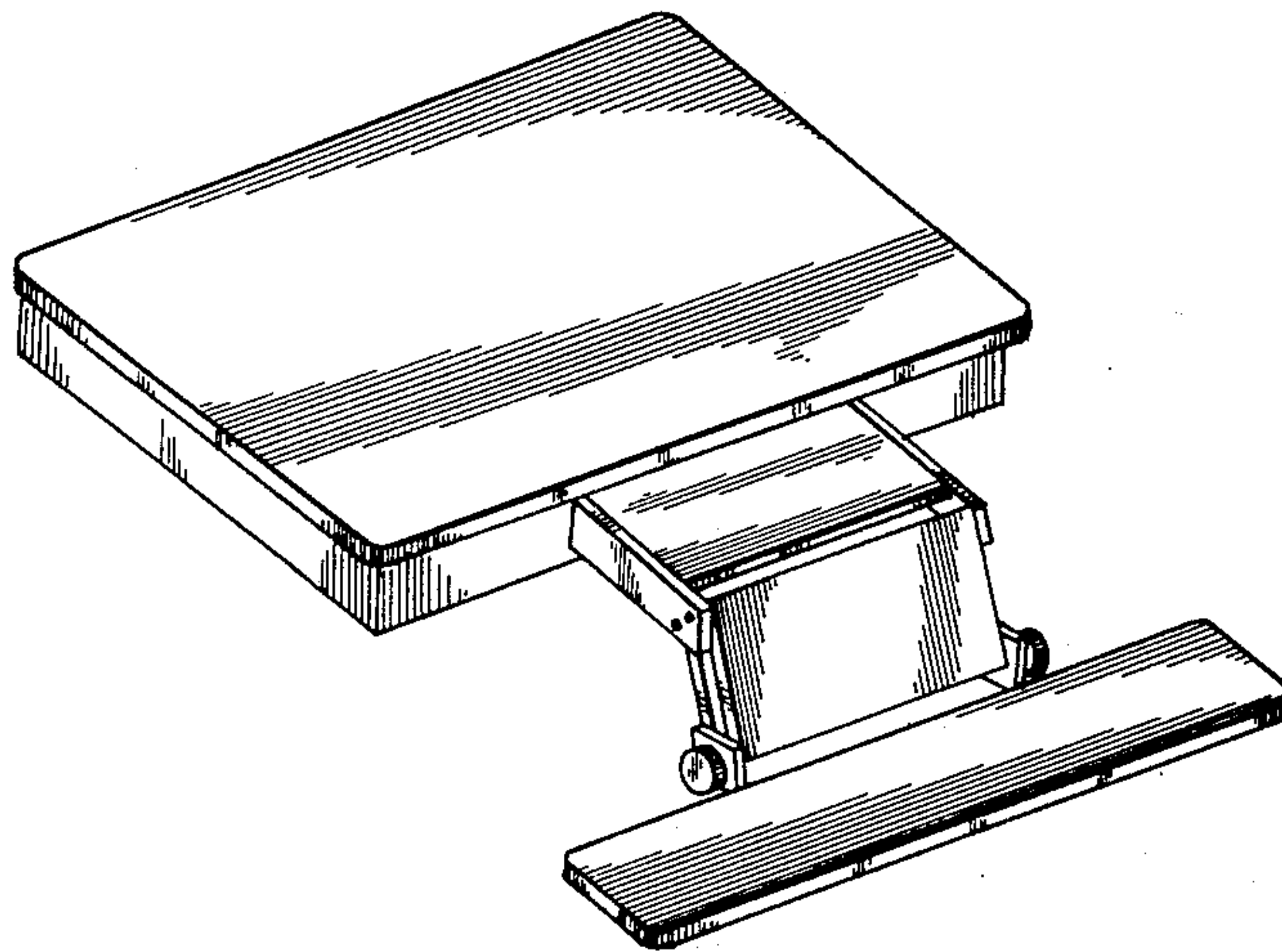
*Primary Examiner*—Bruce W. Dunkins

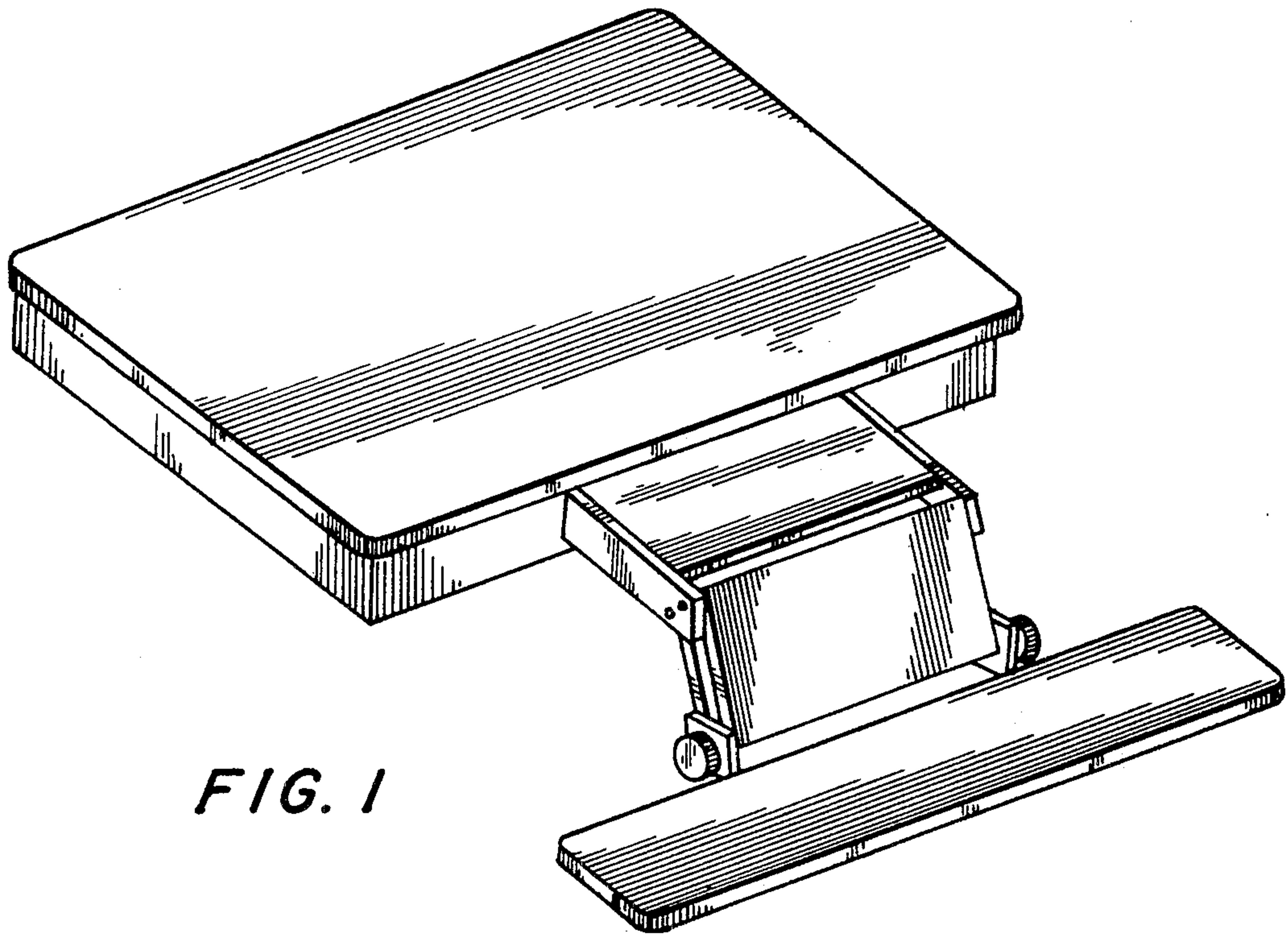
[57] **CLAIM**

The ornamental design for an adjustable computer stand, substantially as shown and described.

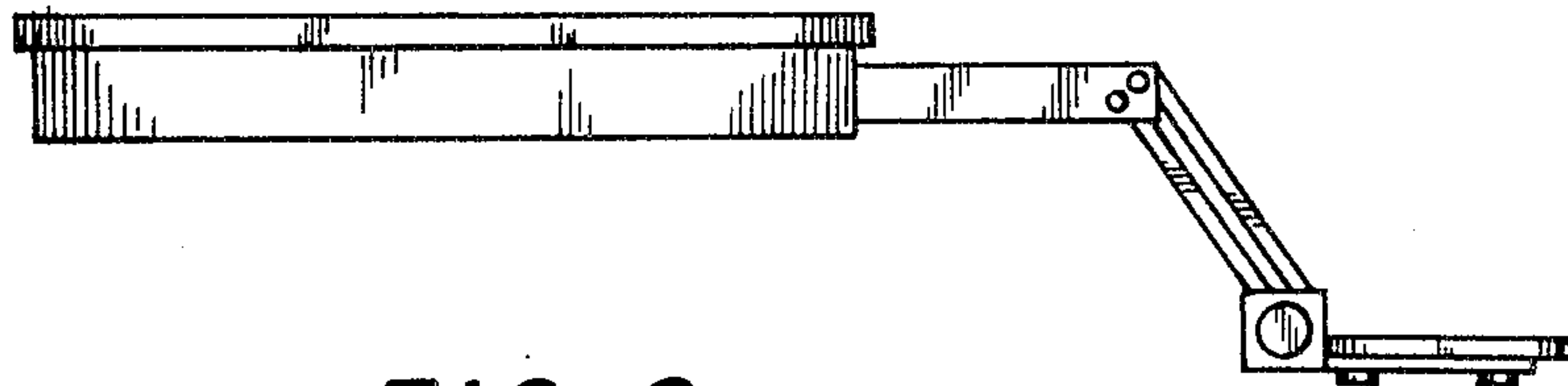
**DESCRIPTION**

FIG. 1 is a perspective view of an adjustable computer stand showing my design;  
FIG. 2 is a left side elevational view thereof;  
FIG. 3 is a bottom perspective view of the adjustable computer stand in fully open position;  
FIG. 4 is a perspective view of the adjustable computer stand in partially open position;  
FIG. 5 is a left side elevational view thereof; and  
FIG. 6 is a bottom plan view of the adjustable computer stand.

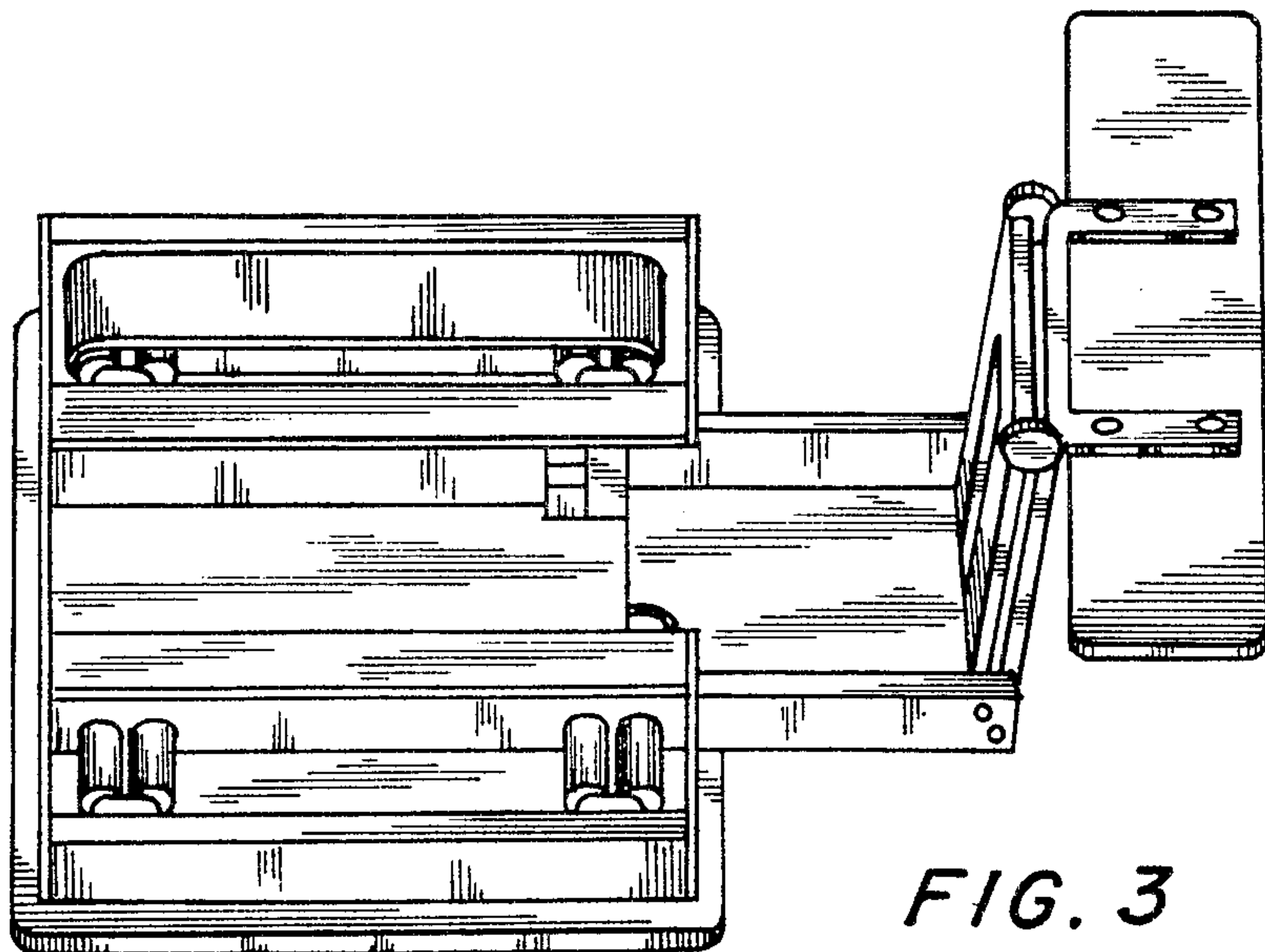




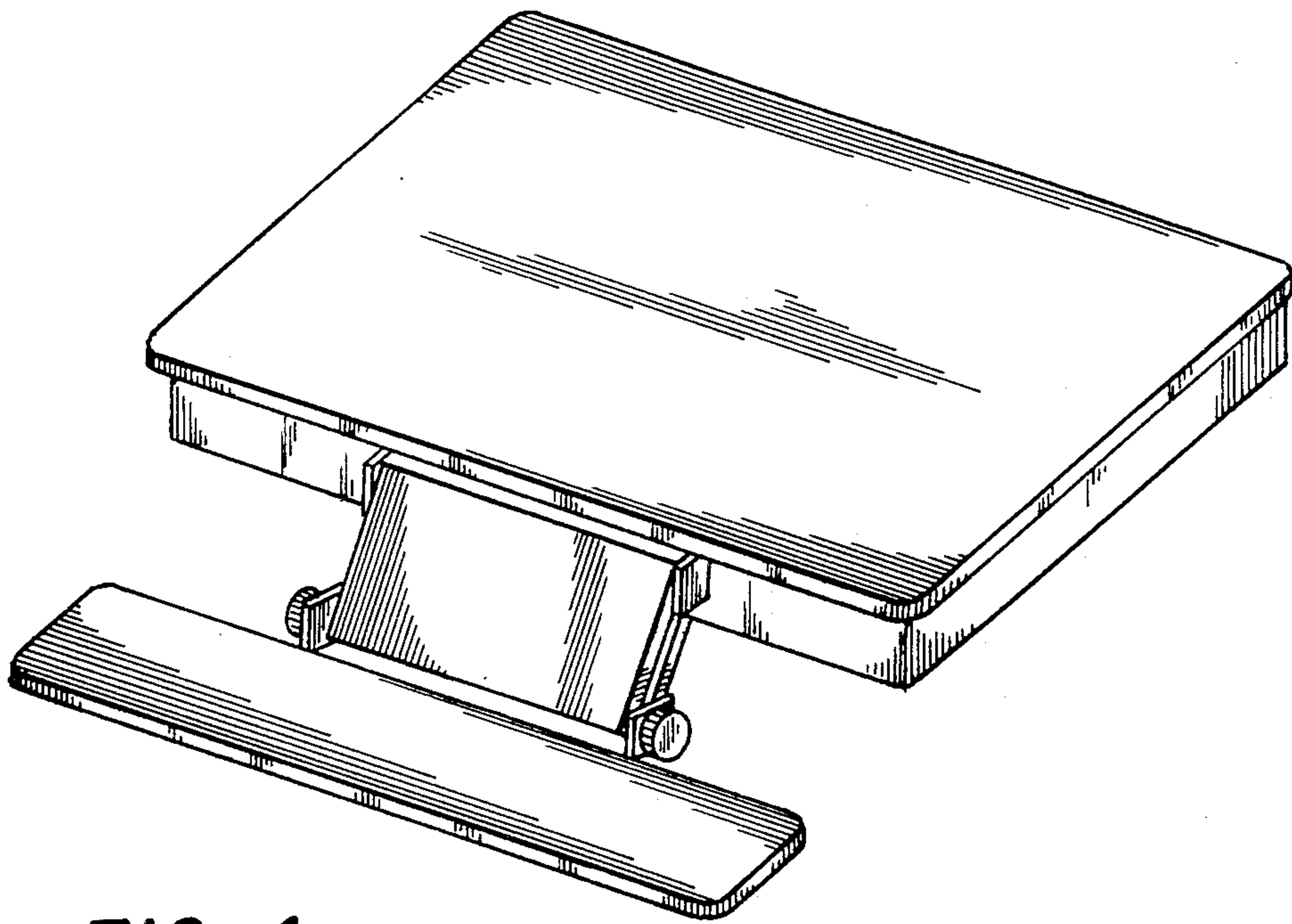
*FIG. 1*



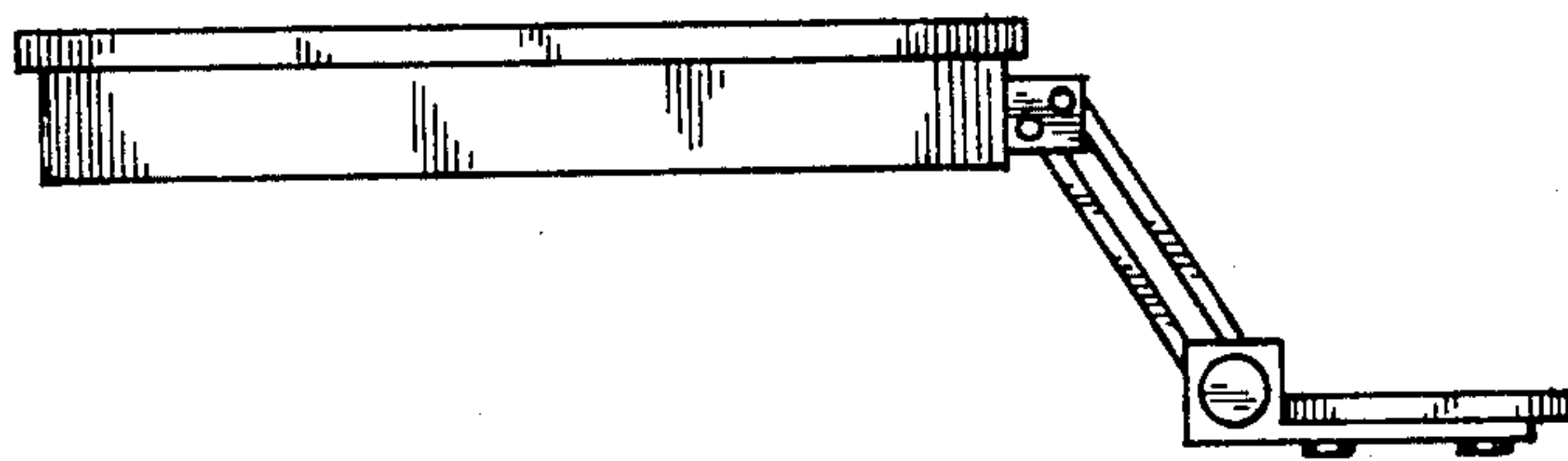
*FIG. 2*



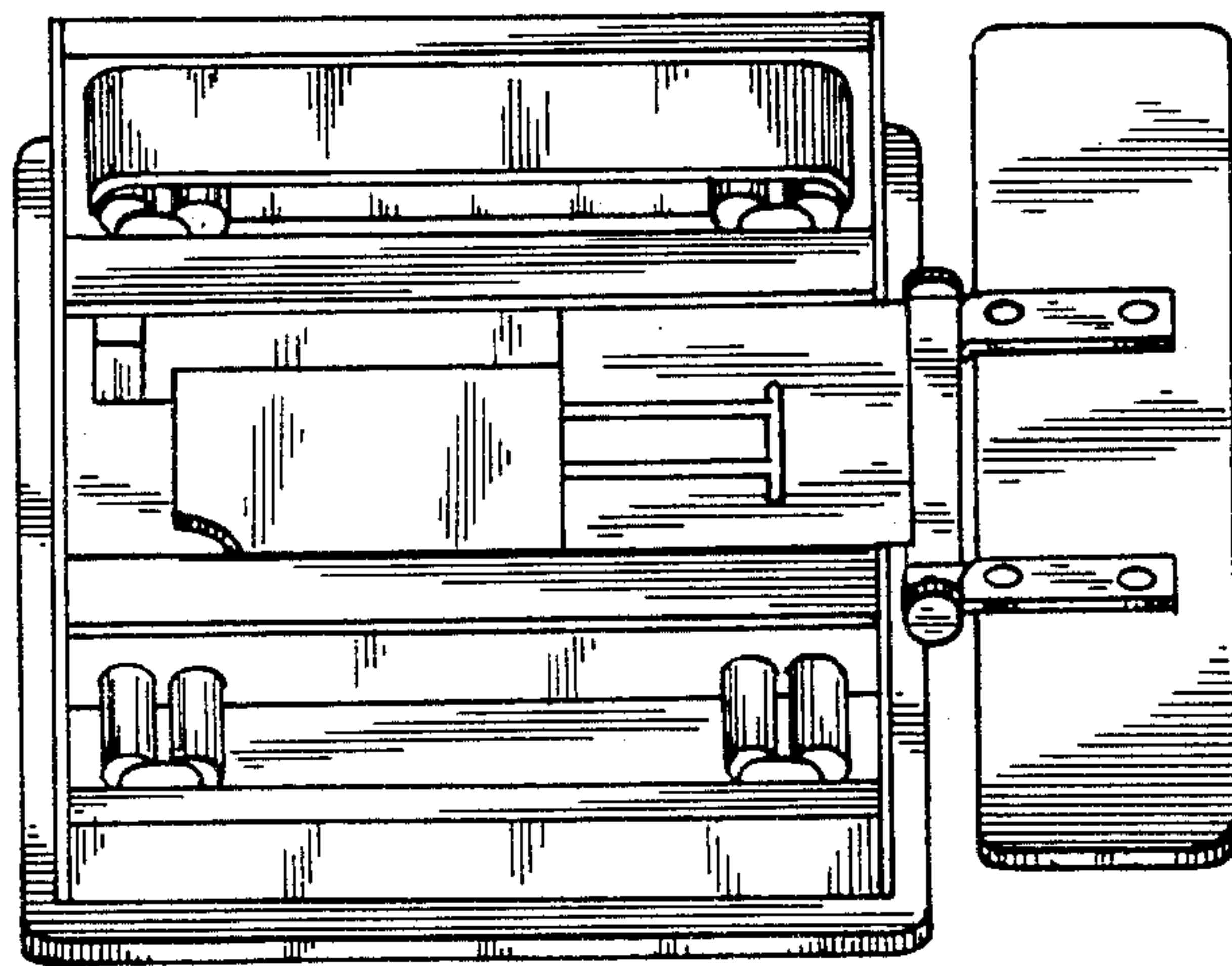
*FIG. 3*



*FIG. 4*



*FIG. 5*



*FIG. 6*