

[54] BATHROOM CABINET

[76] Inventor: Herbert L. Gaudet, Sr., 6860 Holly Park Dr. South, #504, Seattle, Wash. 98118

[**] Term: 14 Years

[21] Appl. No.: 637,637

[22] Filed: Aug. 3, 1984

[52] U.S. Cl. D6/516; D6/524; D6/528; D6/541; D6/559

[58] Field of Search D6/512, 516, 524, 527, D6/528, 530, 531, 534, 541, 546, 553, 559, 573; 248/314, 315; 222/93; 221/96; 206/209.1; 211/59.2, 65, 88; 312/207, 206

[56] References Cited

U.S. PATENT DOCUMENTS

D. 199,780	12/1964	English	D6/541
D. 217,263	4/1970	Manning	D6/541
D. 263,355	3/1982	Iwamoto	D6/531
2,605,932	8/1952	Locke	222/93
2,609,122	9/1952	Stenerson	.	
2,613,853	10/1952	Halvorsen	222/93
2,652,306	9/1953	Lindsay	.	

2,812,880	11/1957	Altman	.	
3,204,823	9/1965	Watson	222/93
3,604,592	9/1971	Bacon	D6/545
3,987,932	10/1976	Galdon	222/93

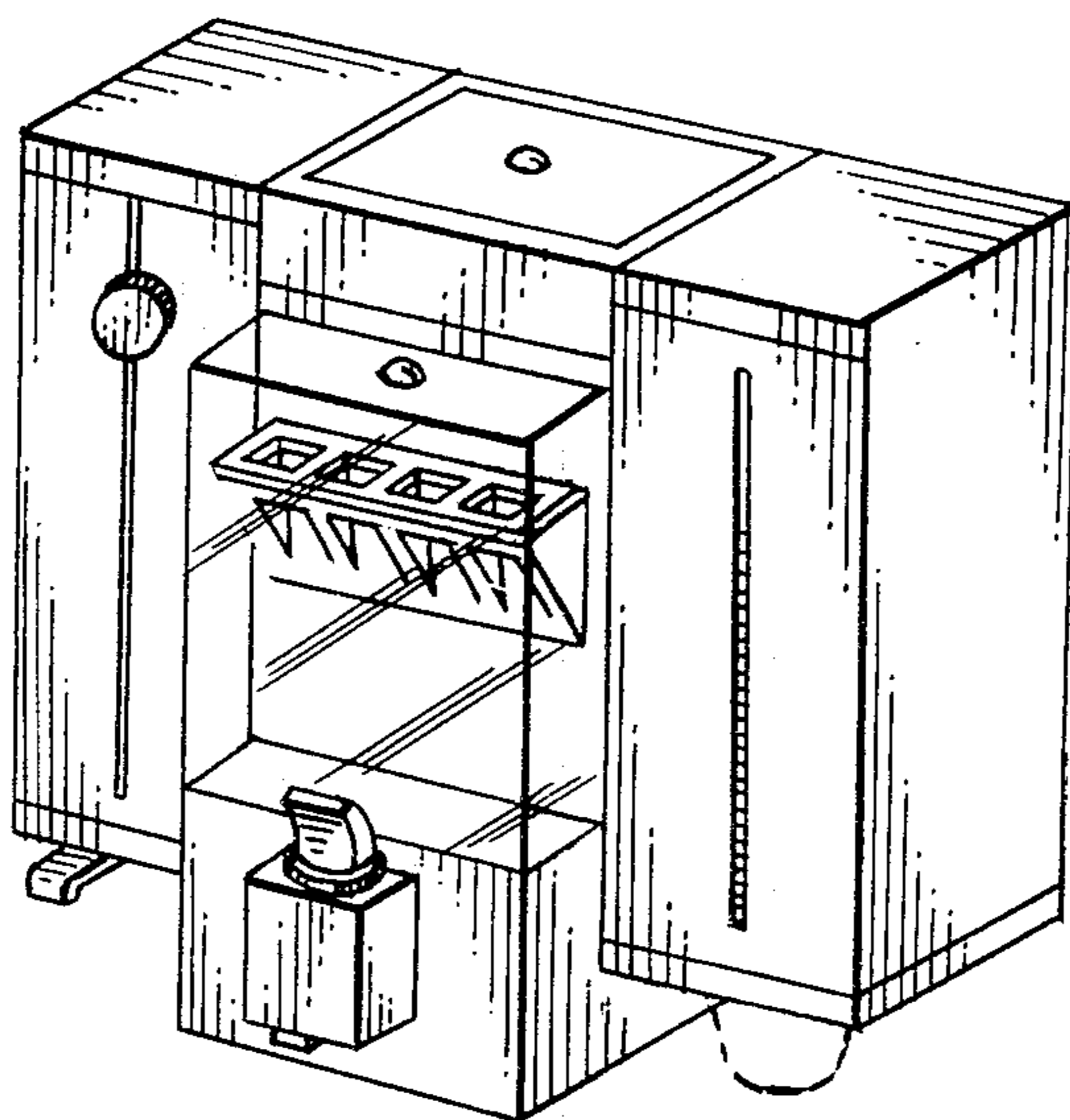
Primary Examiner—Wallace R. Burke
Assistant Examiner—Suzanne N. Gitlin
Attorney, Agent, or Firm—Henderson & Sturm

[57] CLAIM

The ornamental design for a bathroom cabinet, substantially as shown and described.

DESCRIPTION

FIG. 1 is a perspective view of a bathroom cabinet showing my new design;
FIG. 2 is a front elevational view thereof;
FIG. 3 is a rear elevational view thereof;
FIG. 4 is a top plan view thereof;
FIG. 5 is a side elevational view taken from the left of FIG. 1;
FIG. 6 is a side elevational view taken from the right of FIG. 1;
FIG. 7 is a bottom plan view thereof.
The paper cups shown in broken lines in FIGS. 1, 2, 3 and 6 are for illustrative purposes only.



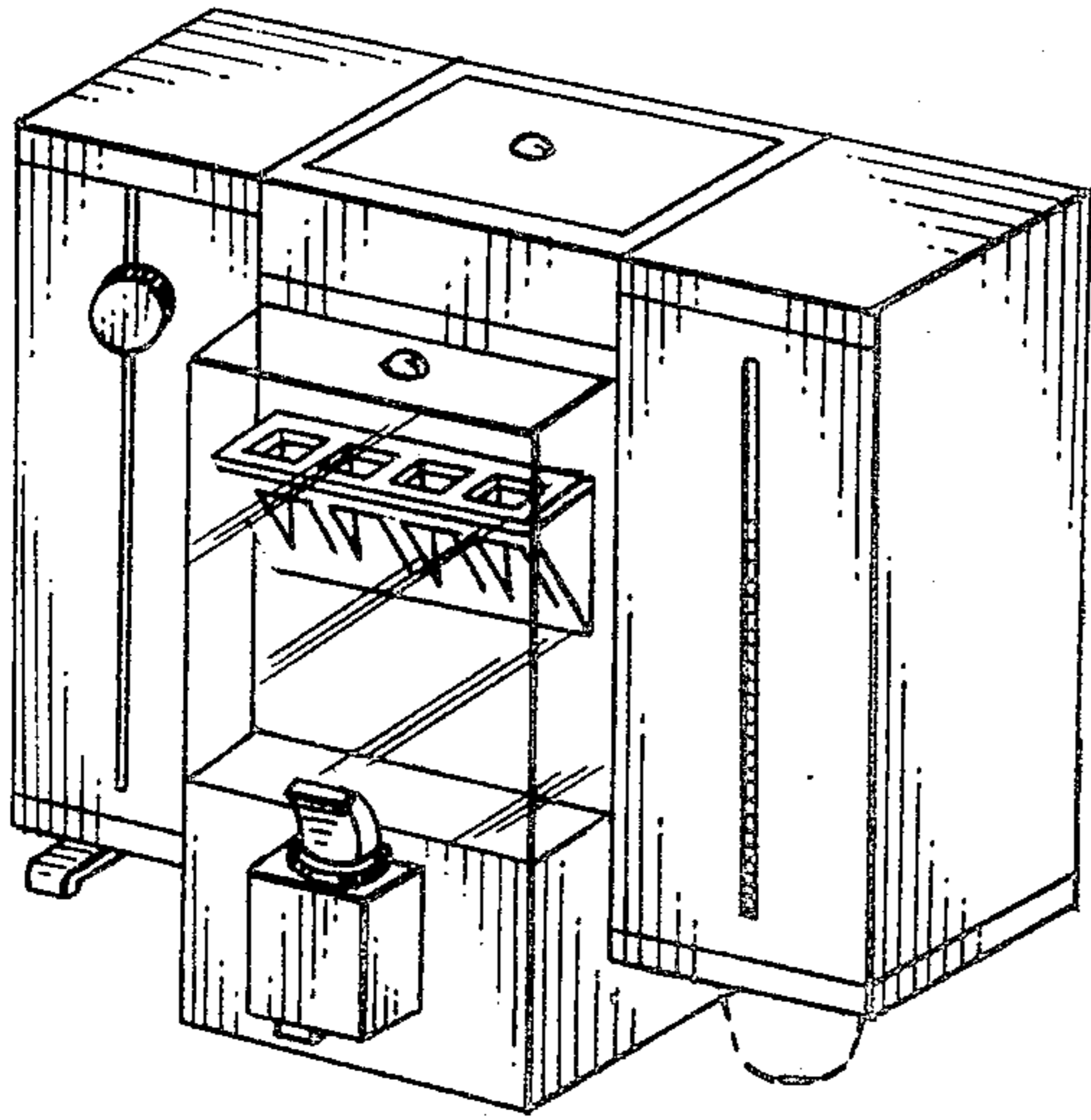


FIG. 1.

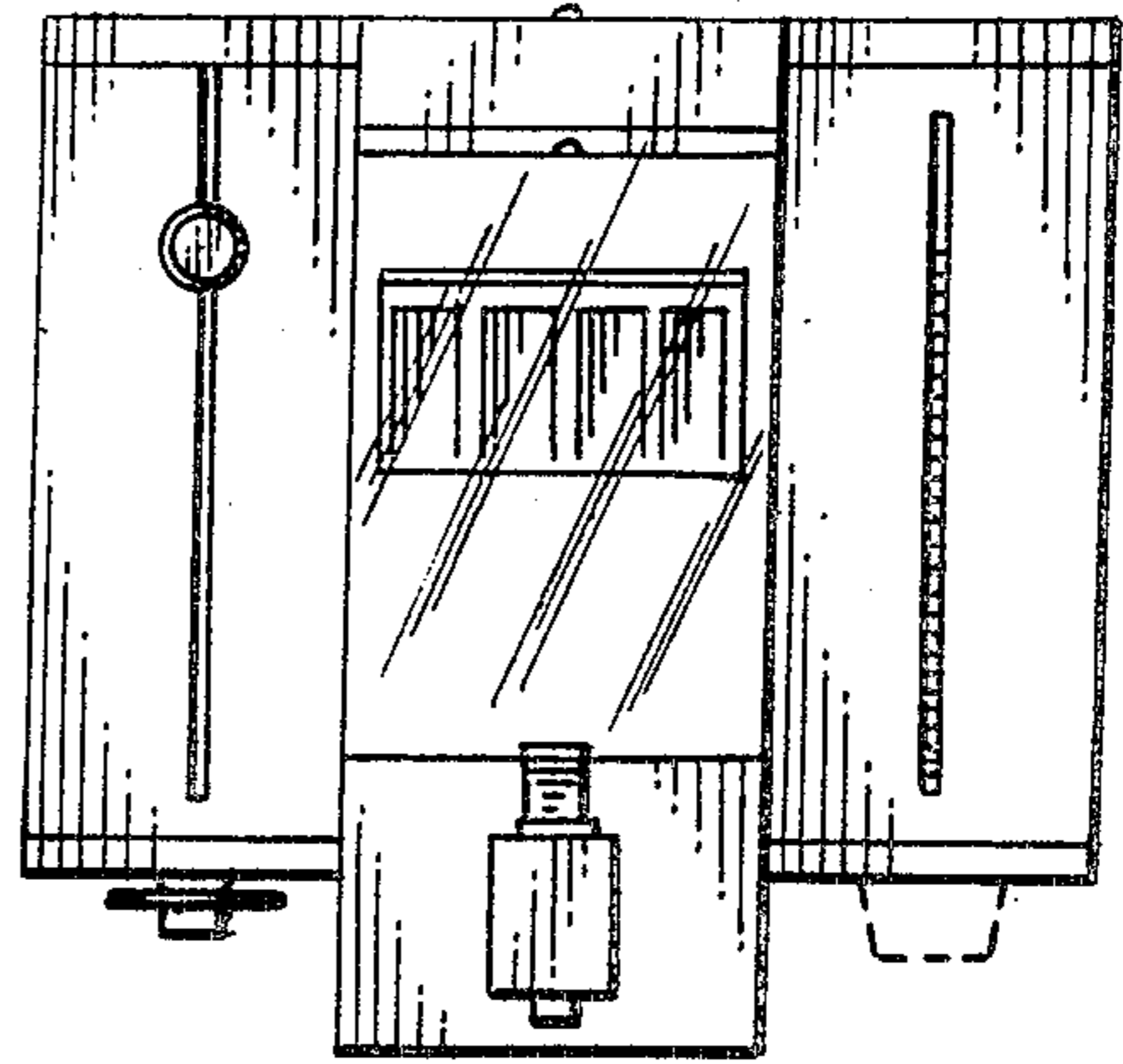


FIG. 2.

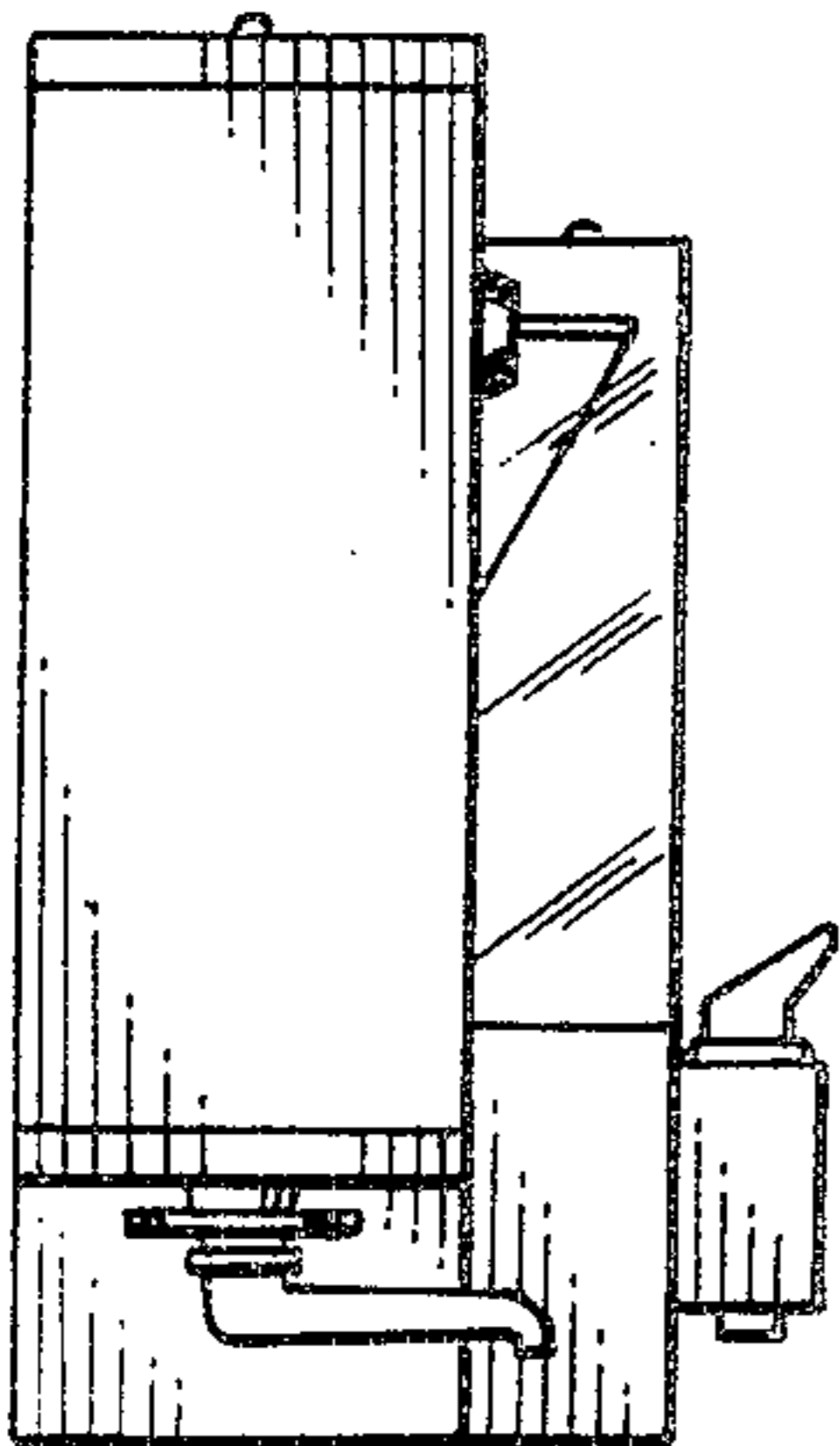


FIG. 5.

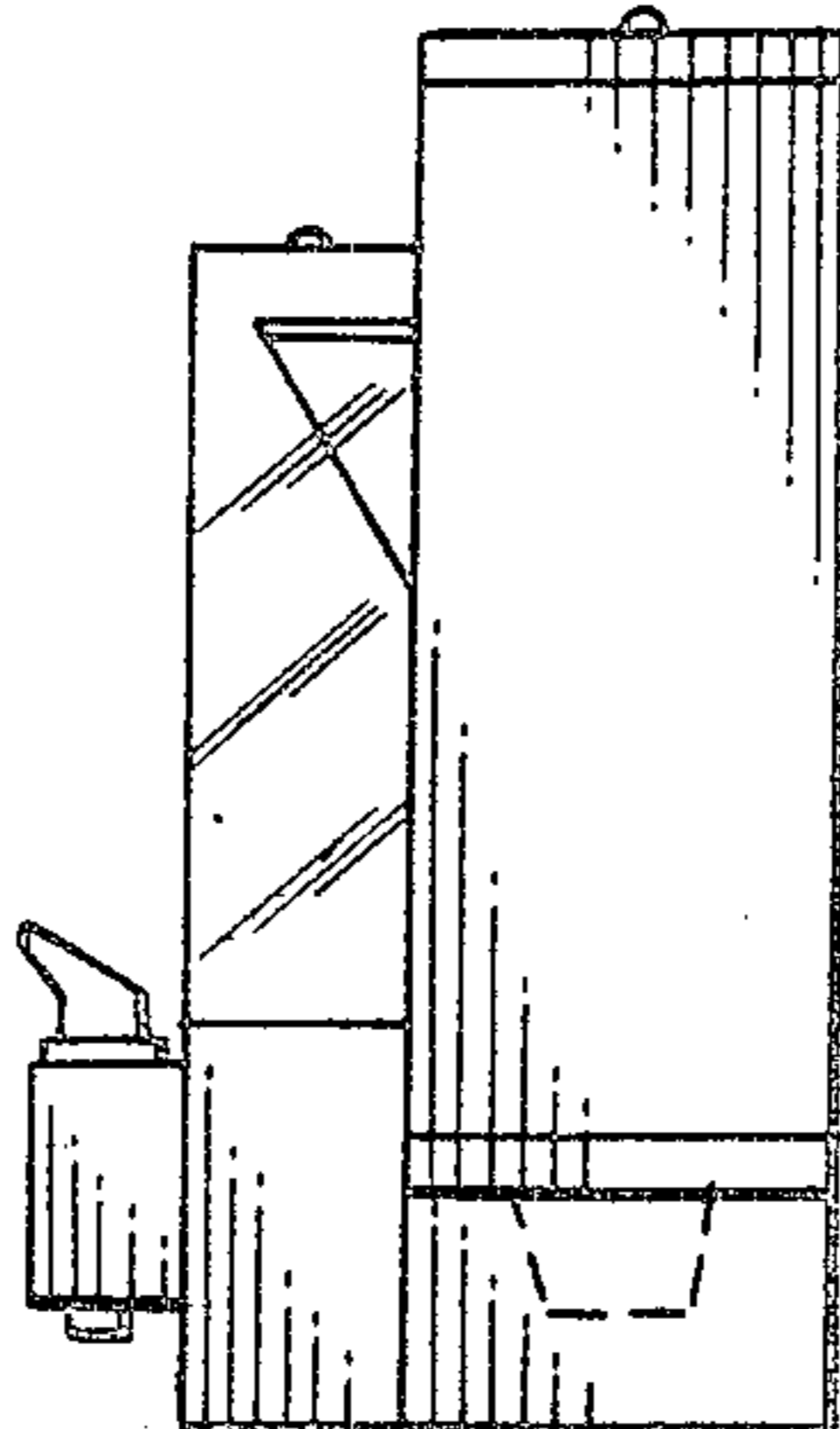


FIG. 6.

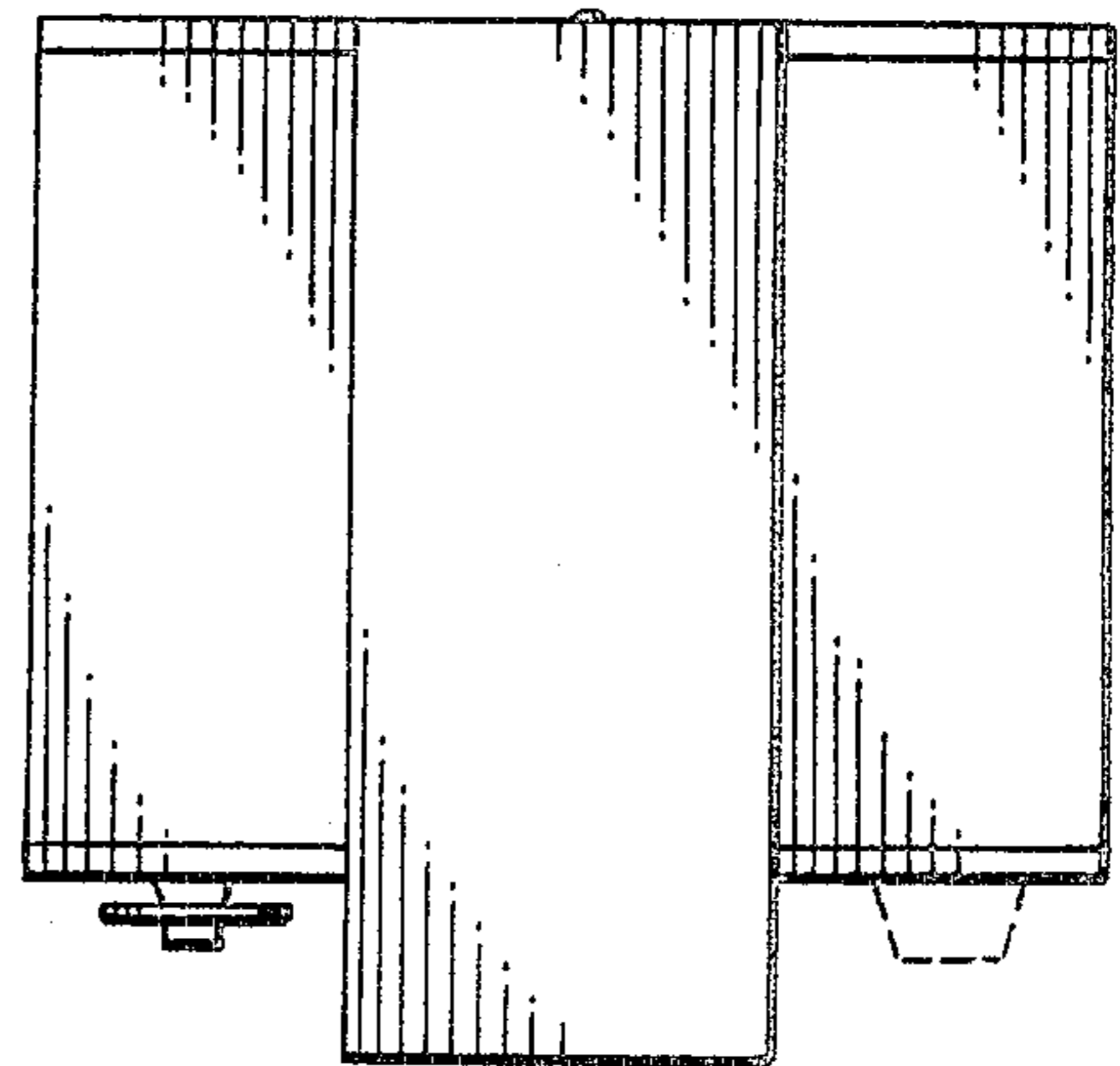


FIG. 3.

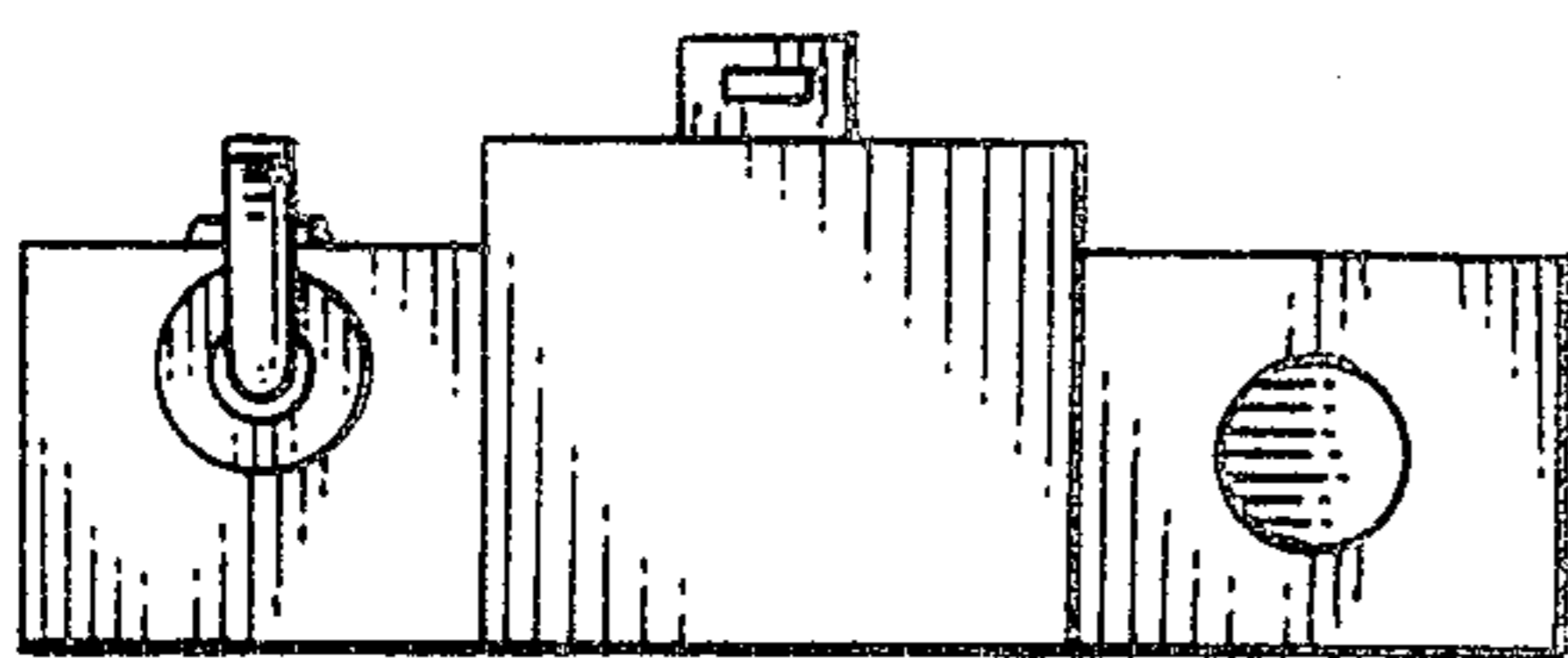


FIG. 7.

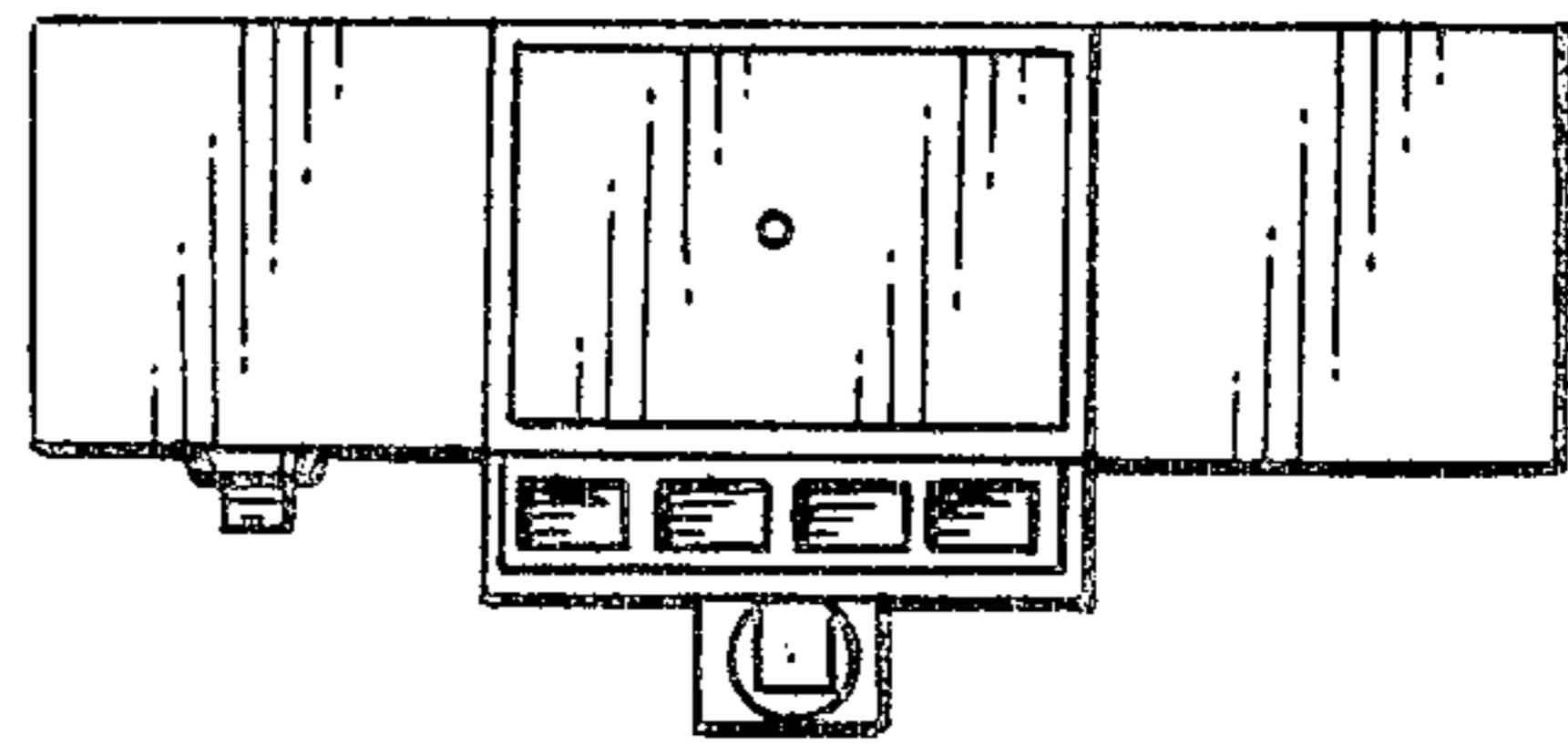


FIG. 4.