

United States Patent [19]

van Berne et al.

[11] Patent Number: **Des. 286,339**

[45] Date of Patent: **** Oct. 21, 1986**

[54] **FOLDABLE TOTE BOX**

[75] Inventors: **Joost van Berne, Dongen; Gerardus J. van der Vlies, Heusden, both of Netherlands**

[73] Assignee: **Curver B.V., Rijen, Netherlands**

[**] Term: **14 Years**

[21] Appl. No.: **521,627**

[22] Filed: **Aug. 9, 1983**

[30] **Foreign Application Priority Data**

Feb. 11, 1983 [XB] Benelux 57576-00
[52] U.S. Cl. **D34/43**
[58] Field of Search D34/40, 41, 42, 43,
D34/44, 45, 46; 206/203, 602; 220/6, 1 R;
229/27

[56] **References Cited**

U.S. PATENT DOCUMENTS

D. 208,331 8/1967 Gehl D34/43

D. 255,094 5/1980 Wright D34/45
2,736,483 2/1956 Moore 229/27 X
3,507,441 4/1970 Wilcox et al. 206/602 X

Primary Examiner—Robert C. Spangler
Attorney, Agent, or Firm—Cushman, Darby & Cushman

[57] **CLAIM**

The ornamental design for a foldable tote box, as shown.

DESCRIPTION

FIG. 1 is a perspective view of a foldable tote box, showing our new design;
FIG. 2 is a top plan view thereof;
FIG. 3 is a front elevational view thereof;
FIG. 4 is a bottom plan view thereof;
FIG. 5 is a right side elevational view thereof;
FIG. 6 is a perspective view of the foldable tote box in folded condition;
FIG. 7 is a top plan view thereof;
FIG. 8 is a bottom plan view thereof;
FIG. 9 is a side elevational view thereof; and
FIG. 10 is an end elevational view thereof.

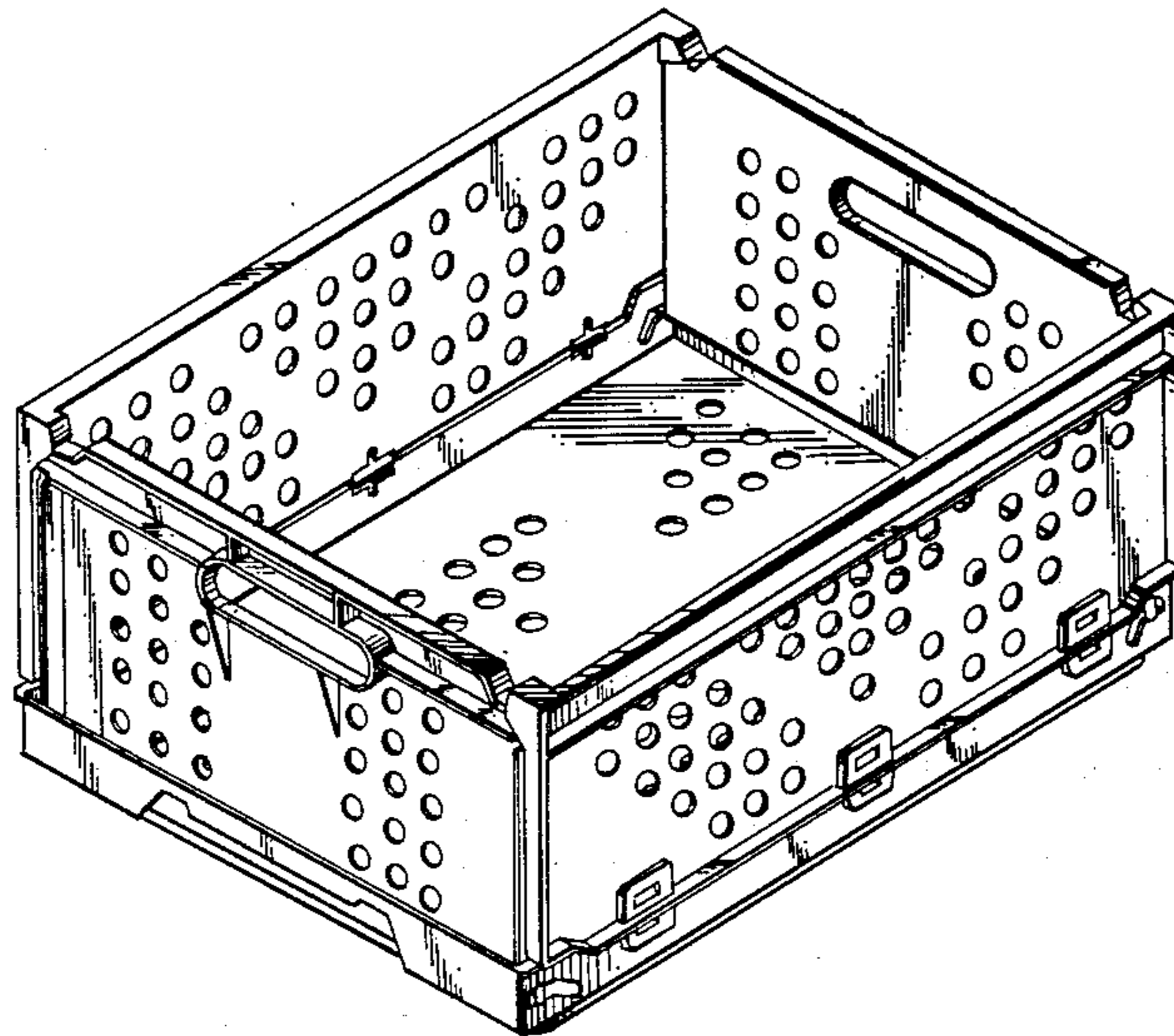


Fig. 1

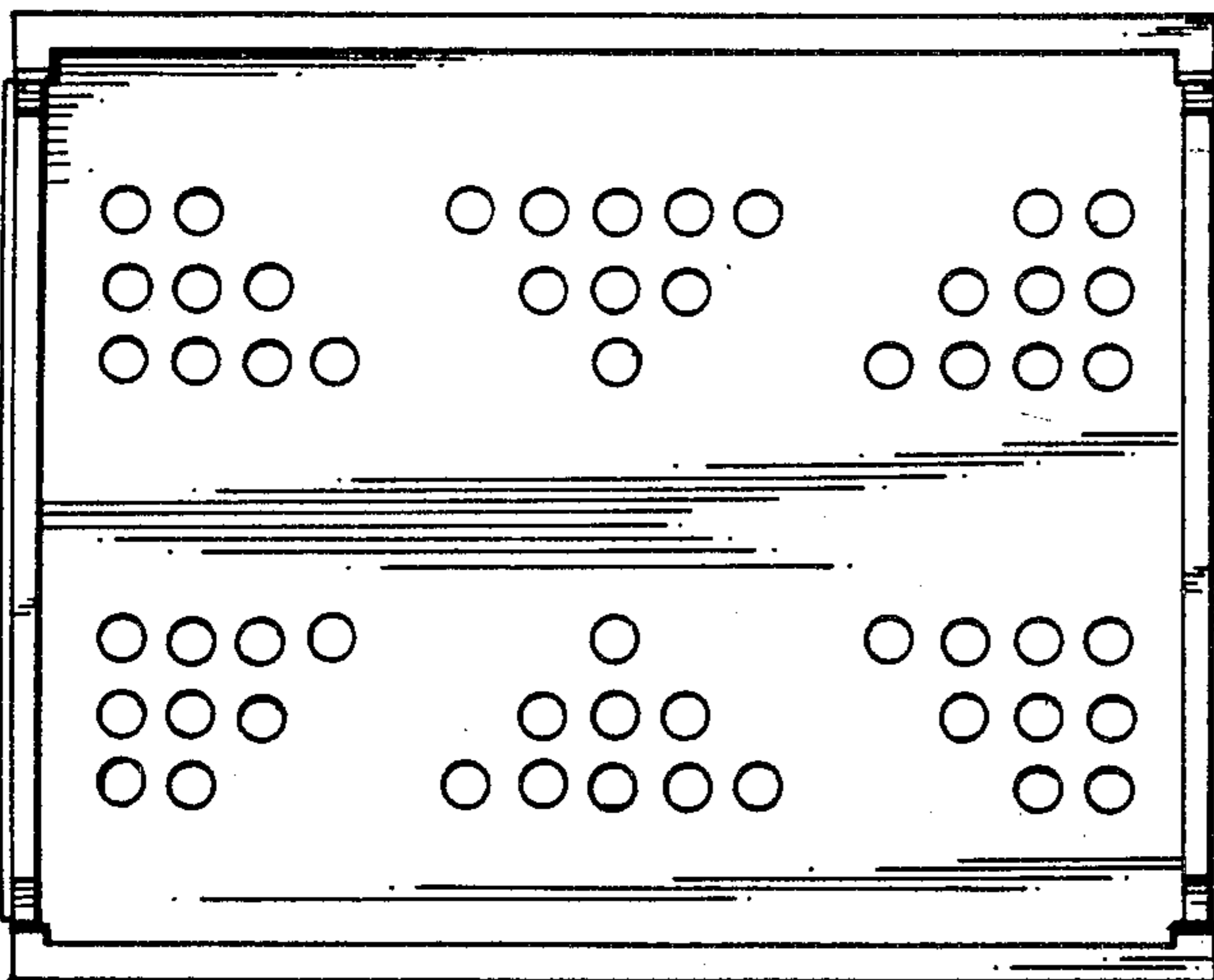
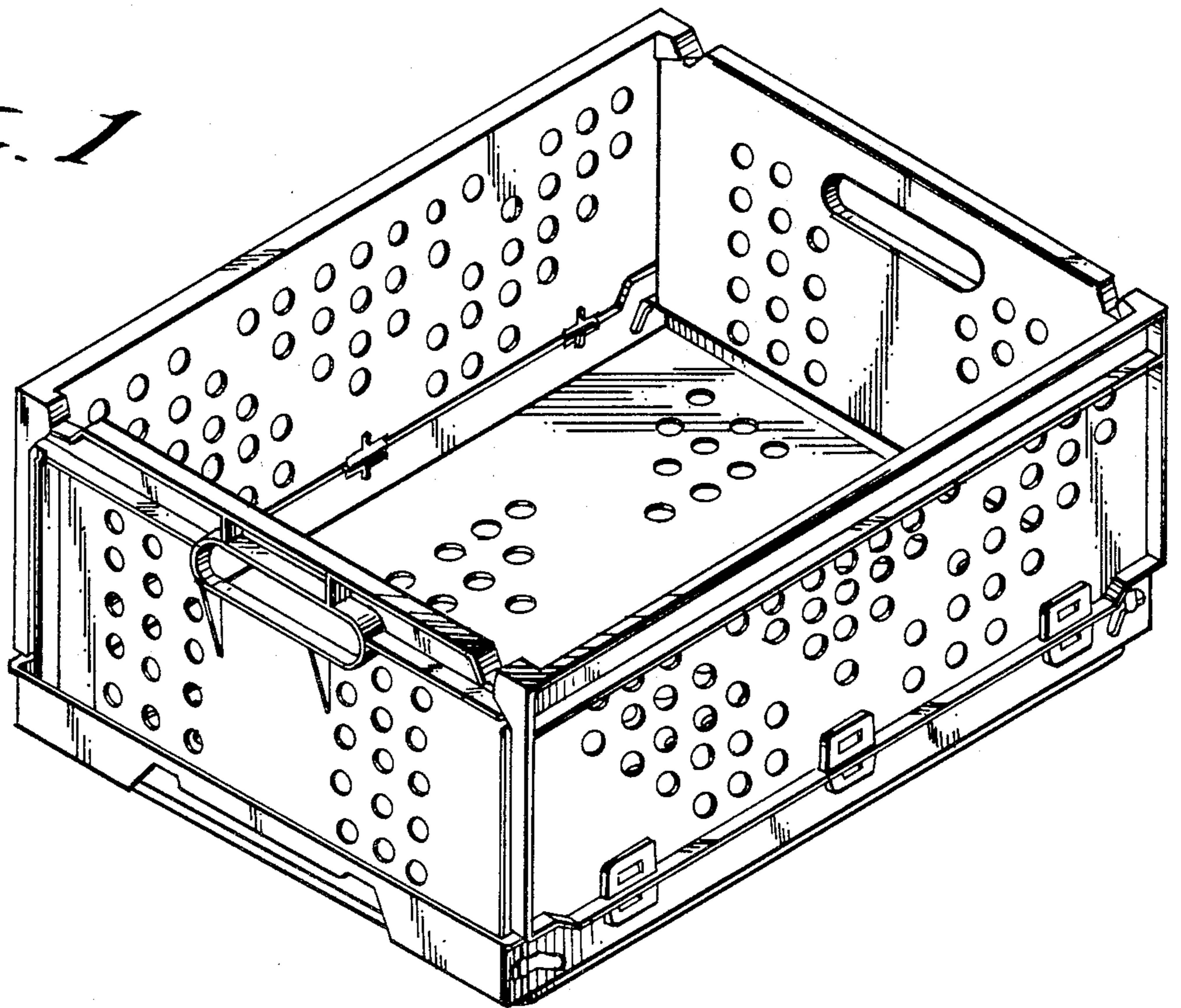
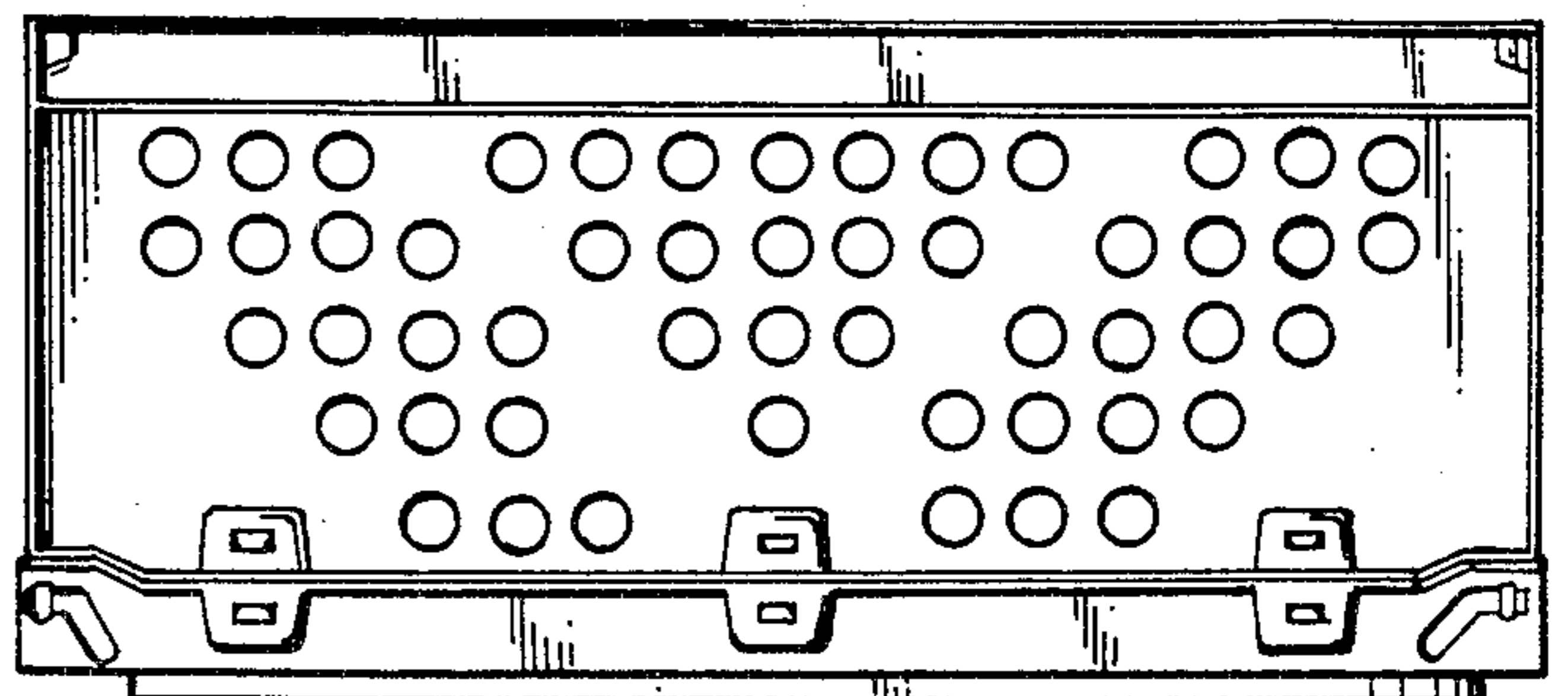


Fig. 2

Fig. 3



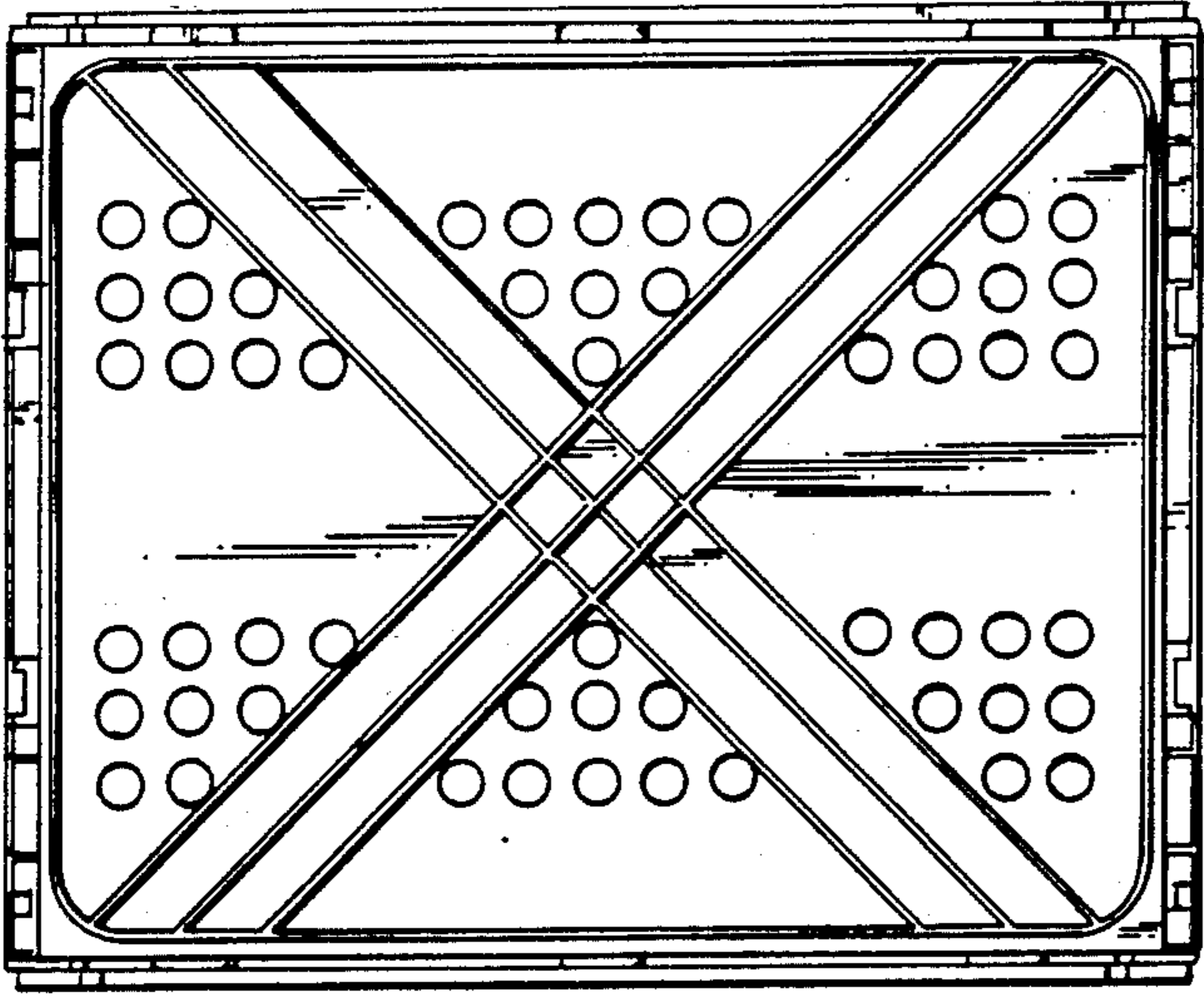


Fig. 4

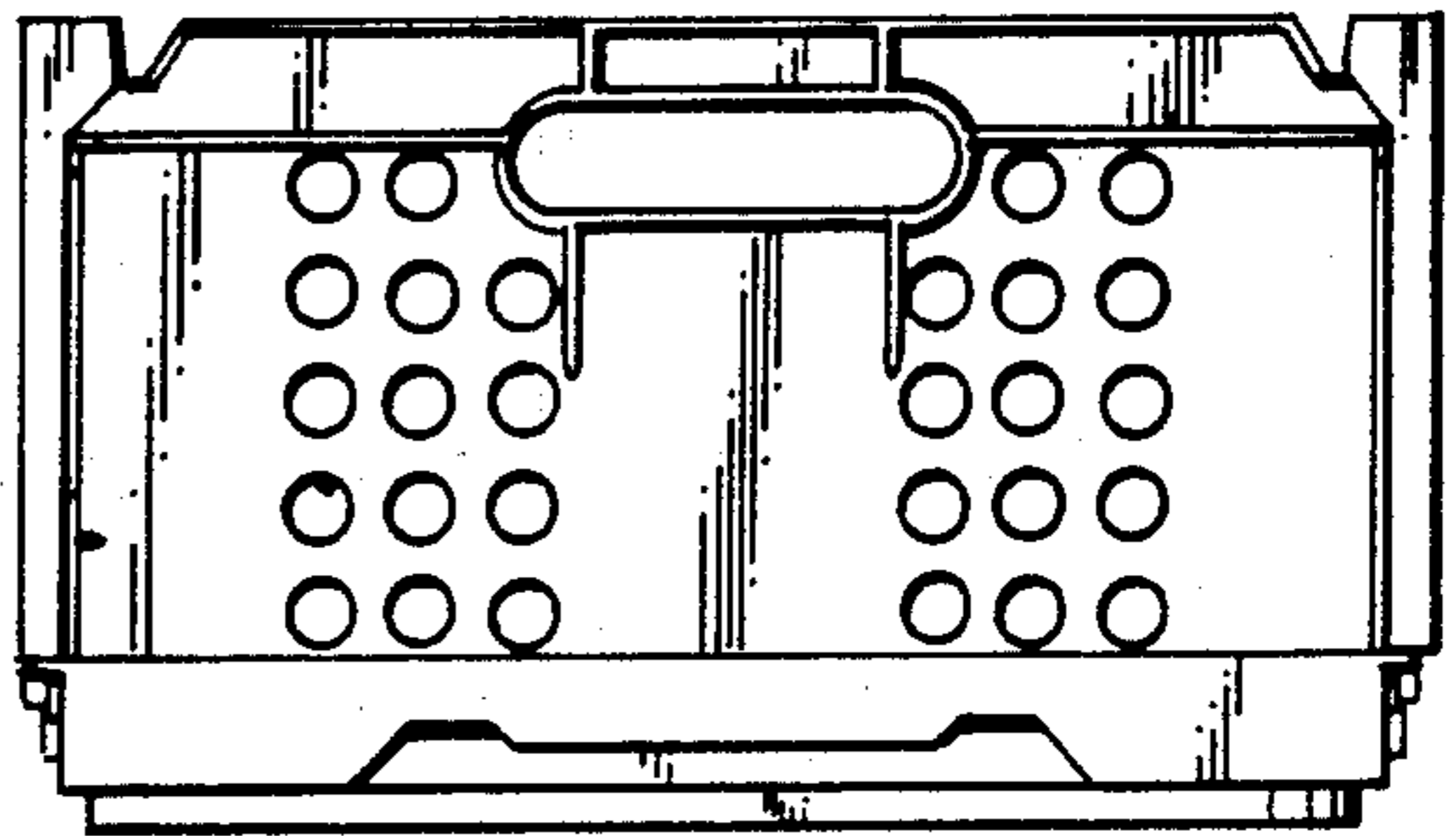


Fig. 5

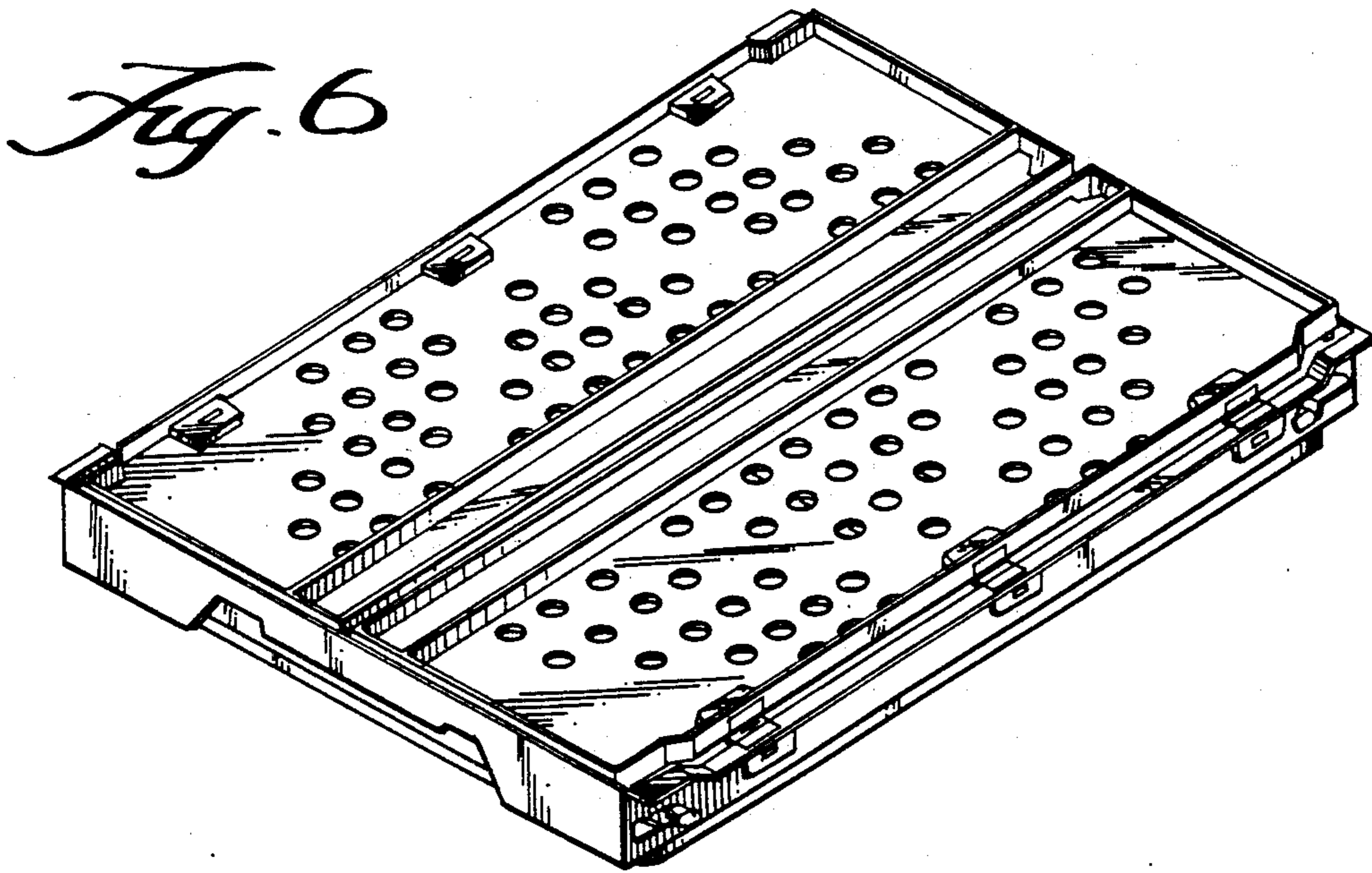


Fig. 6

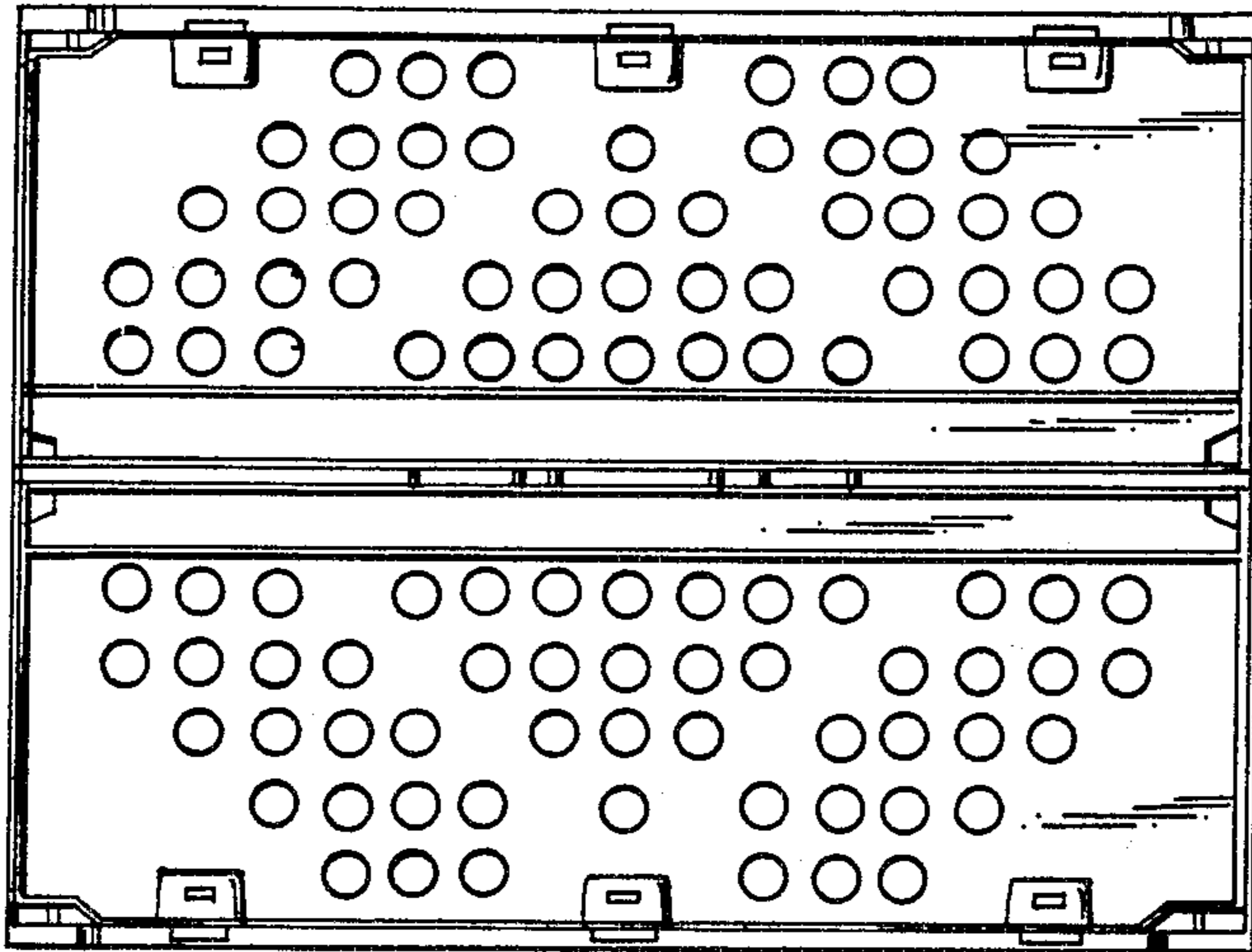


Fig. 7

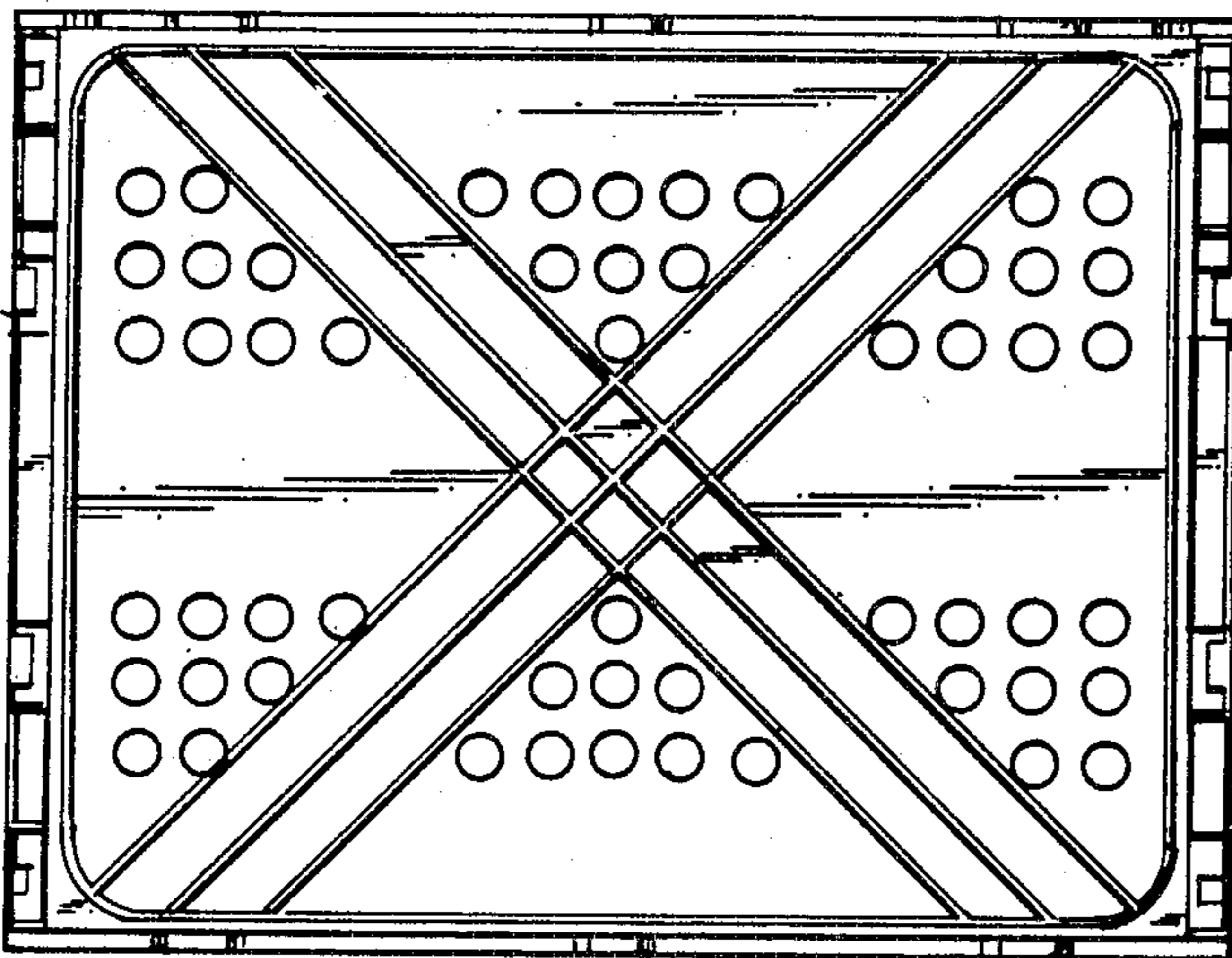


Fig. 8



Fig. 9

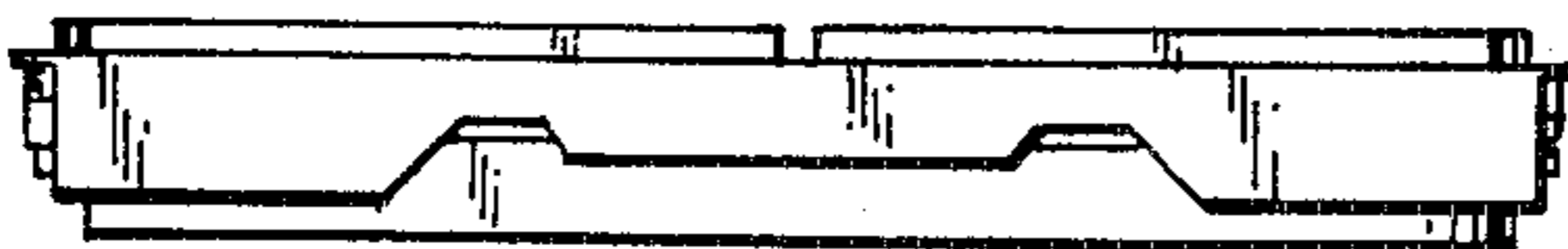


Fig. 10